



US00D558350S

(12) **United States Design Patent**
Kitayama

(10) **Patent No.:** **US D558,350 S**

(45) **Date of Patent:** **** Dec. 25, 2007**

(54) **PORTION OF A MONITOR FOR AN
ULTRASONIC DIAGNOSIS APPARATUS**

JP D915822 12/1994

JP D1065340 3/2000

JP D1165140 2/2003

(75) Inventor: **Masahiko Kitayama**, Mitaka (JP)

JP D1185249 9/2003

JP D1232180 3/2005

(73) Assignees: **Kabushiki Kaisha Toshiba** (JP);
Toshiba Medical Systems (JP)

(**) Term: **14 Years**

OTHER PUBLICATIONS

(21) Appl. No.: **29/262,529**

Extract of Nikkei Sangyo Shimbun (Newspaper), showing an ultra-sonic diagnosis apparatus (iU22), Jul. 23, 2004.

(22) Filed: **Jul. 6, 2006**

* cited by examiner

(30) **Foreign Application Priority Data**

Feb. 20, 2006 (JP) 2006-003820

Primary Examiner—Robert A. Delehanty

Assistant Examiner—Mark Cavanna

(74) *Attorney, Agent, or Firm*—Banner & Witcoff, Ltd.

(51) **LOC (8) Cl.** **24-01**

(52) **U.S. Cl.** **D24/186**

(58) **Field of Classification Search** D24/111,
D24/169, 183–187, 216–234; D14/126,
D14/356, 375, 381–382; 600/391, 393, 481,
600/484, 513, 519, 528, 532, 536, 538, 549;
D13/163; 36/681

(57) **CLAIM**

The ornamental design for a portion of a monitor for an ultrasonic diagnosis apparatus, as shown and described.

See application file for complete search history.

DESCRIPTION

(56) **References Cited**

U.S. PATENT DOCUMENTS

D313,405 S 1/1991 Barry et al.
D383,842 S * 9/1997 Kenley et al. D24/169
D386,158 S * 11/1997 Rosen D14/375
D395,085 S * 6/1998 Kenley et al. D24/169
D406,894 S * 3/1999 Menhennett et al. D24/169
D412,748 S * 8/1999 Nabarro D24/186
D442,560 S * 5/2001 Price et al. D13/163
D459,477 S * 6/2002 Stocks et al. D24/164
D460,055 S * 7/2002 Rosen D14/126
D466,118 S * 11/2002 Lee D14/375
2004/0179332 A1 * 9/2004 Smith et al. 361/681

FIG. 1 is a front, top and right side perspective view of a portion of a monitor for an ultrasonic diagnosis apparatus, showing my new design;

FIG. 2 is a rear, top and left side perspective view thereof;

FIG. 3 is a front elevational view thereof;

FIG. 4 is a rear elevational view thereof;

FIG. 5 is a top plan view thereof;

FIG. 6 is a bottom plan view thereof;

FIG. 7 is a right side elevational view thereof; and,

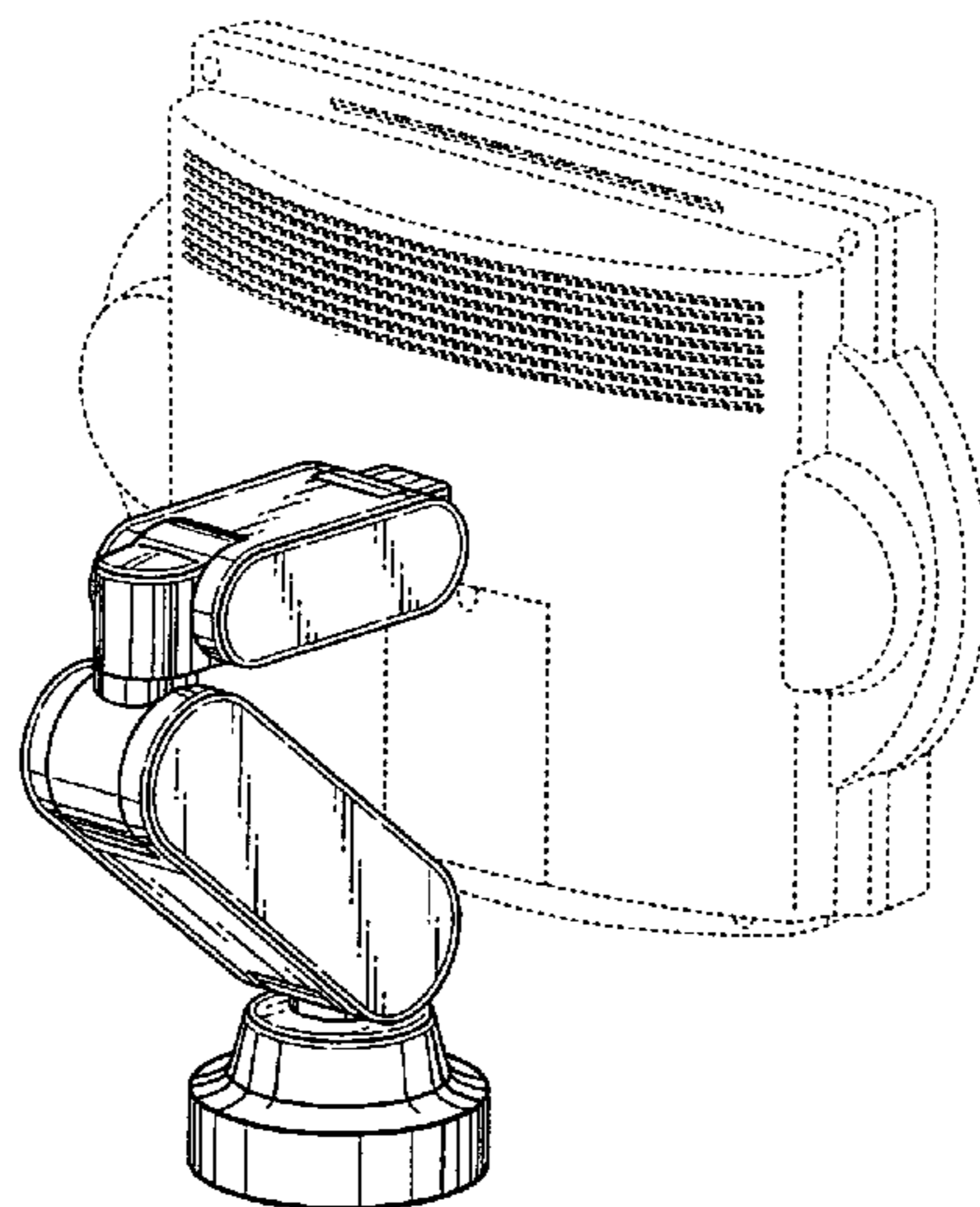
FIG. 8 is a left side elevational view thereof.

The broken lines are for illustrative purposes only and form no part of the claimed design.

FOREIGN PATENT DOCUMENTS

JP D882723 11/1993

1 Claim, 4 Drawing Sheets



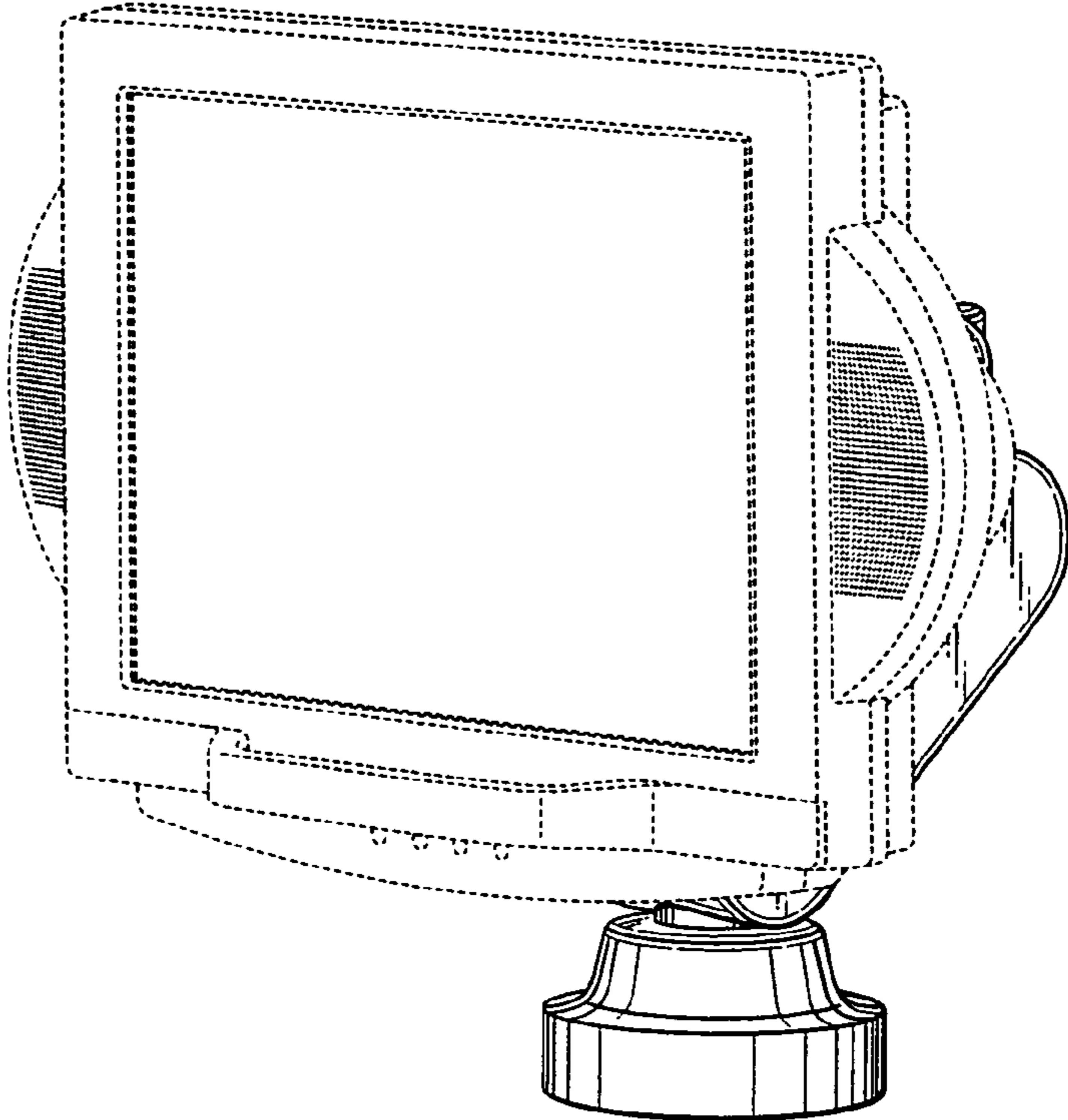


FIG. 1

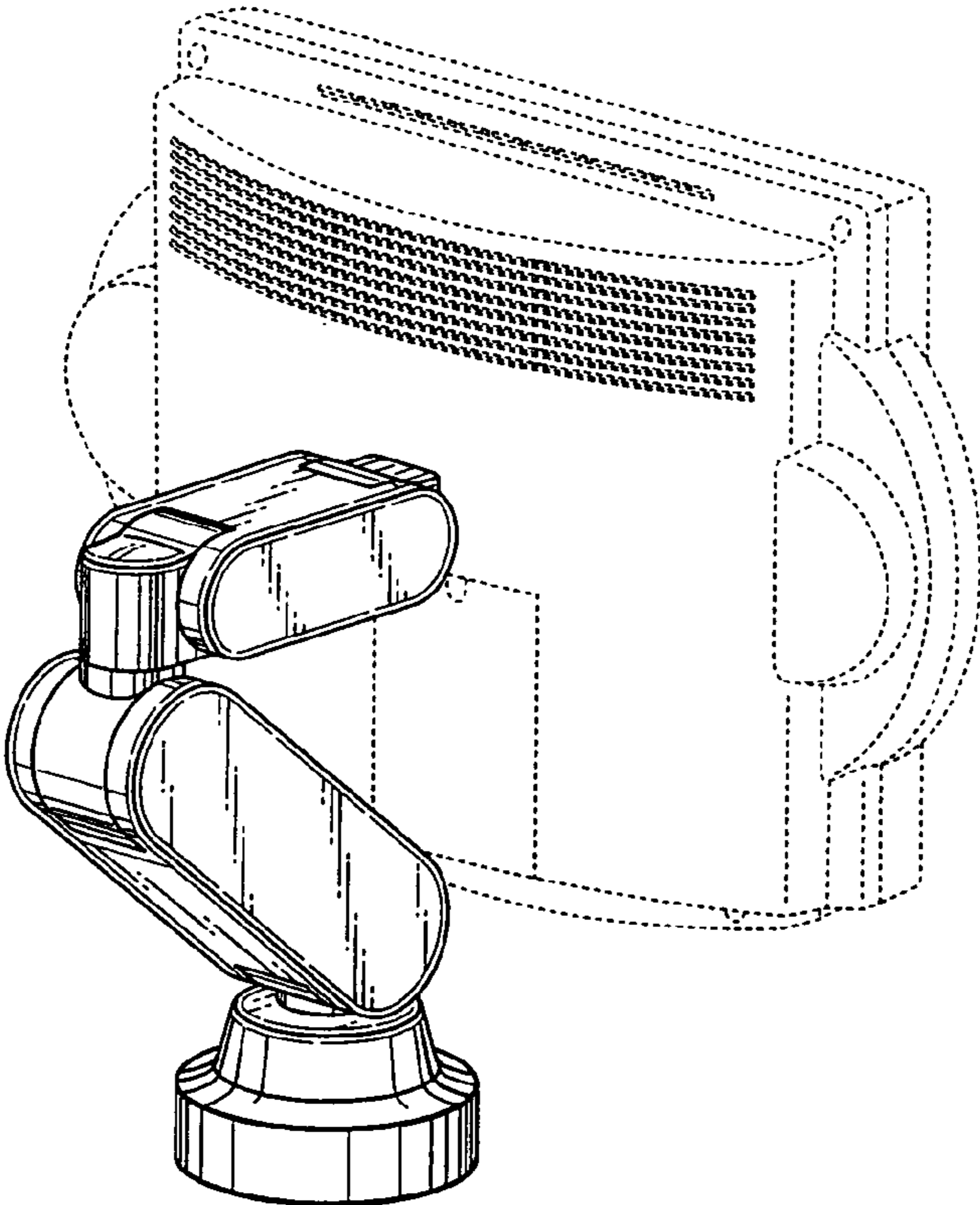


FIG. 2

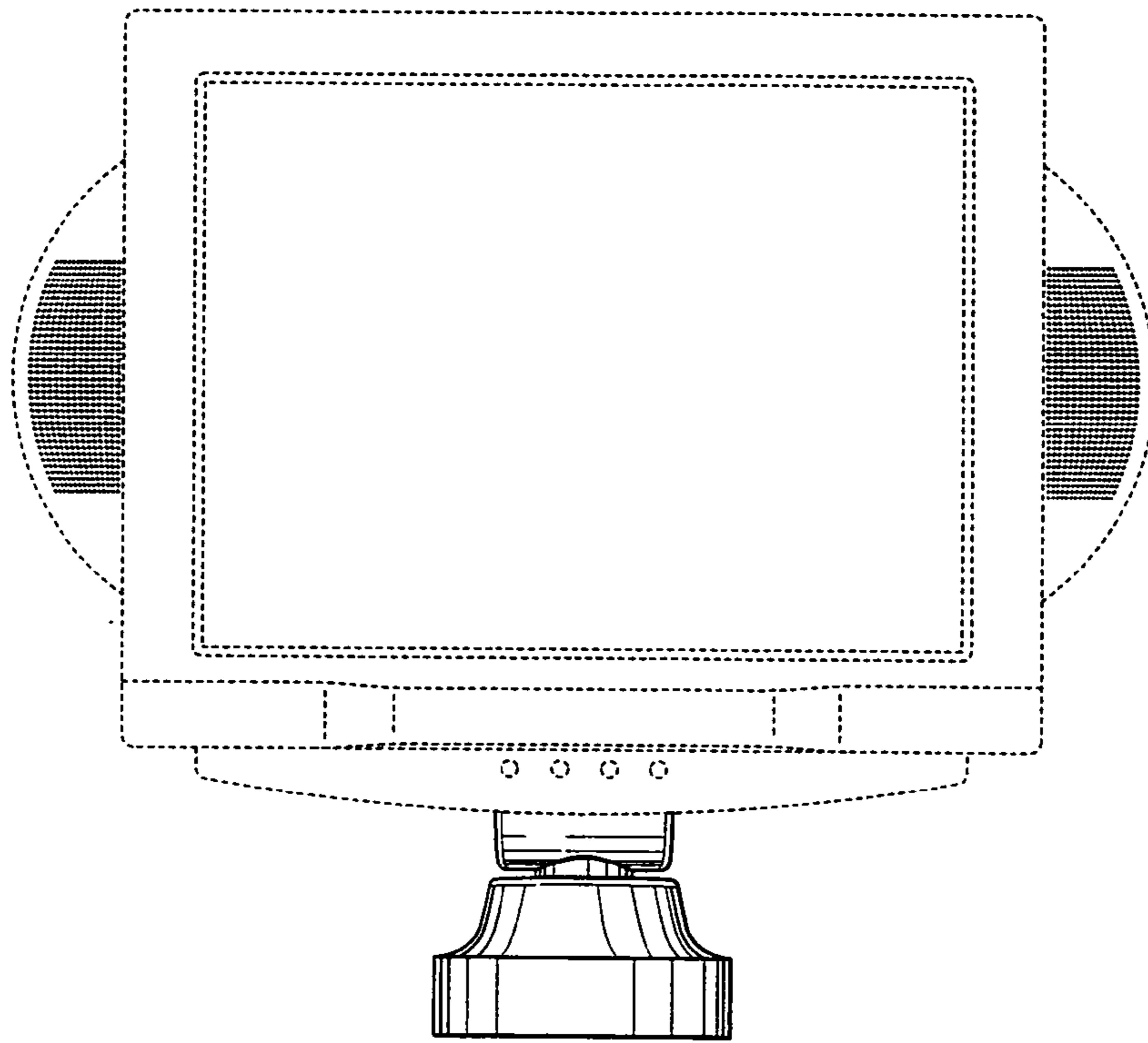


FIG.3

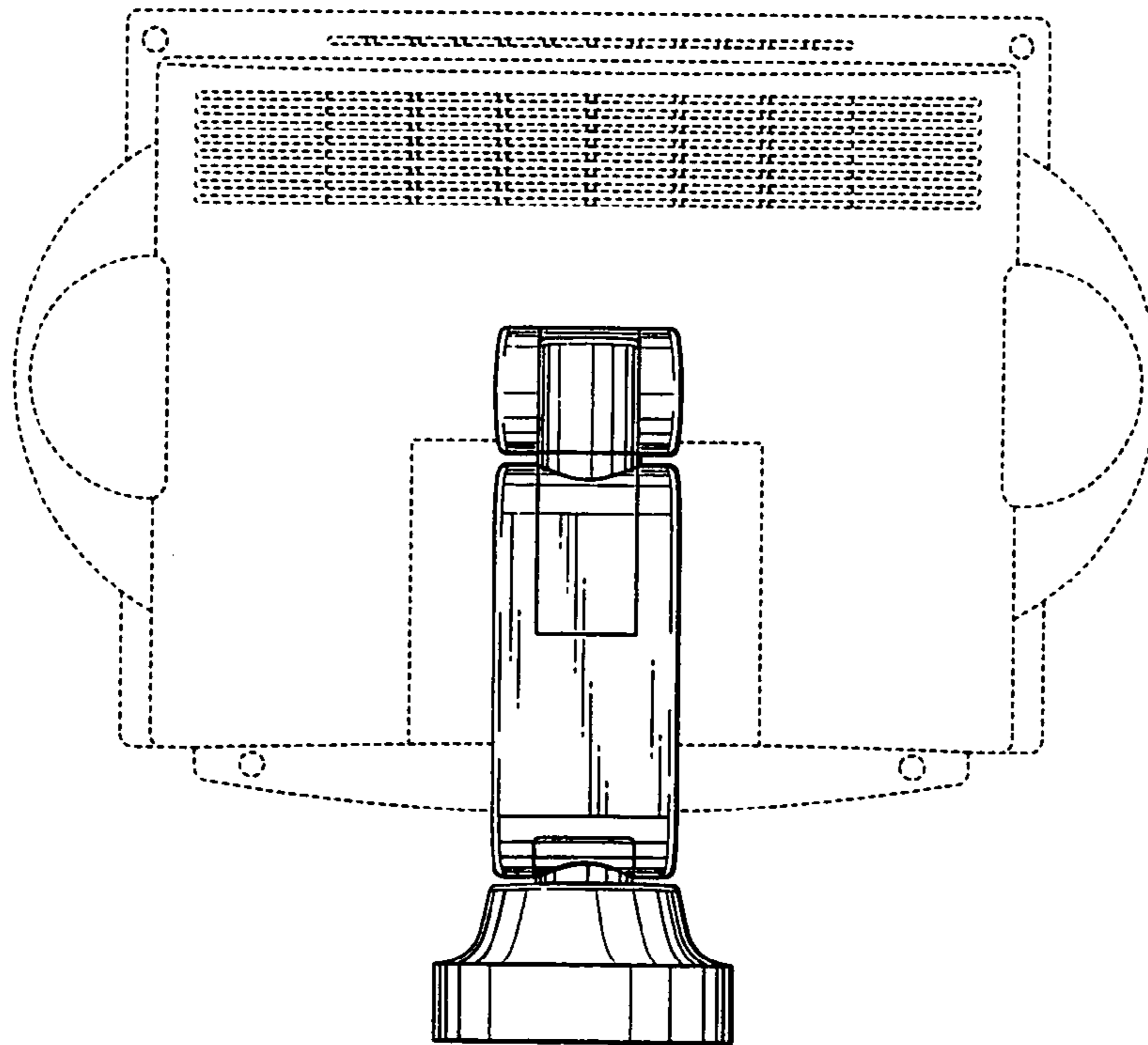


FIG.4

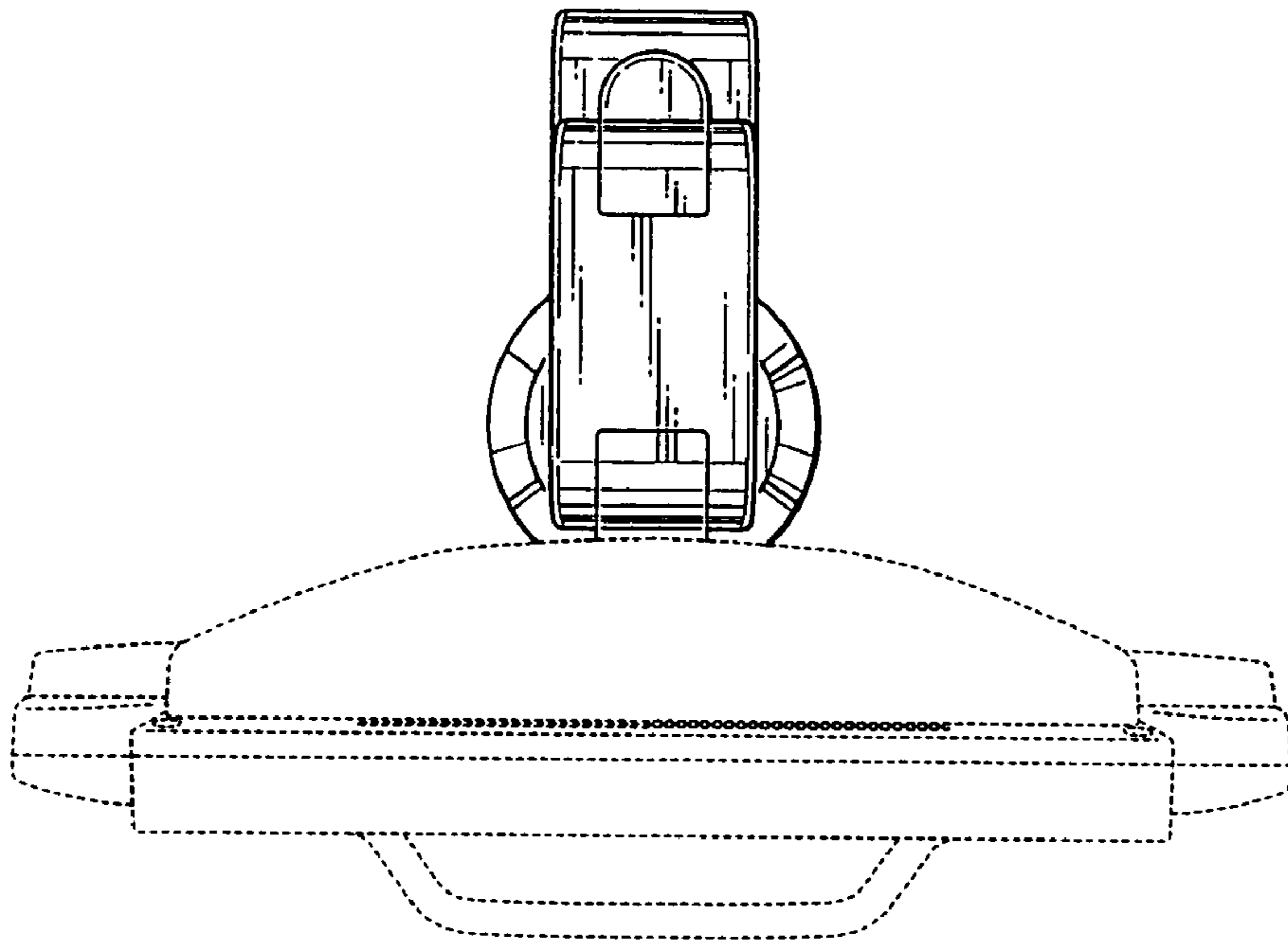


FIG. 5

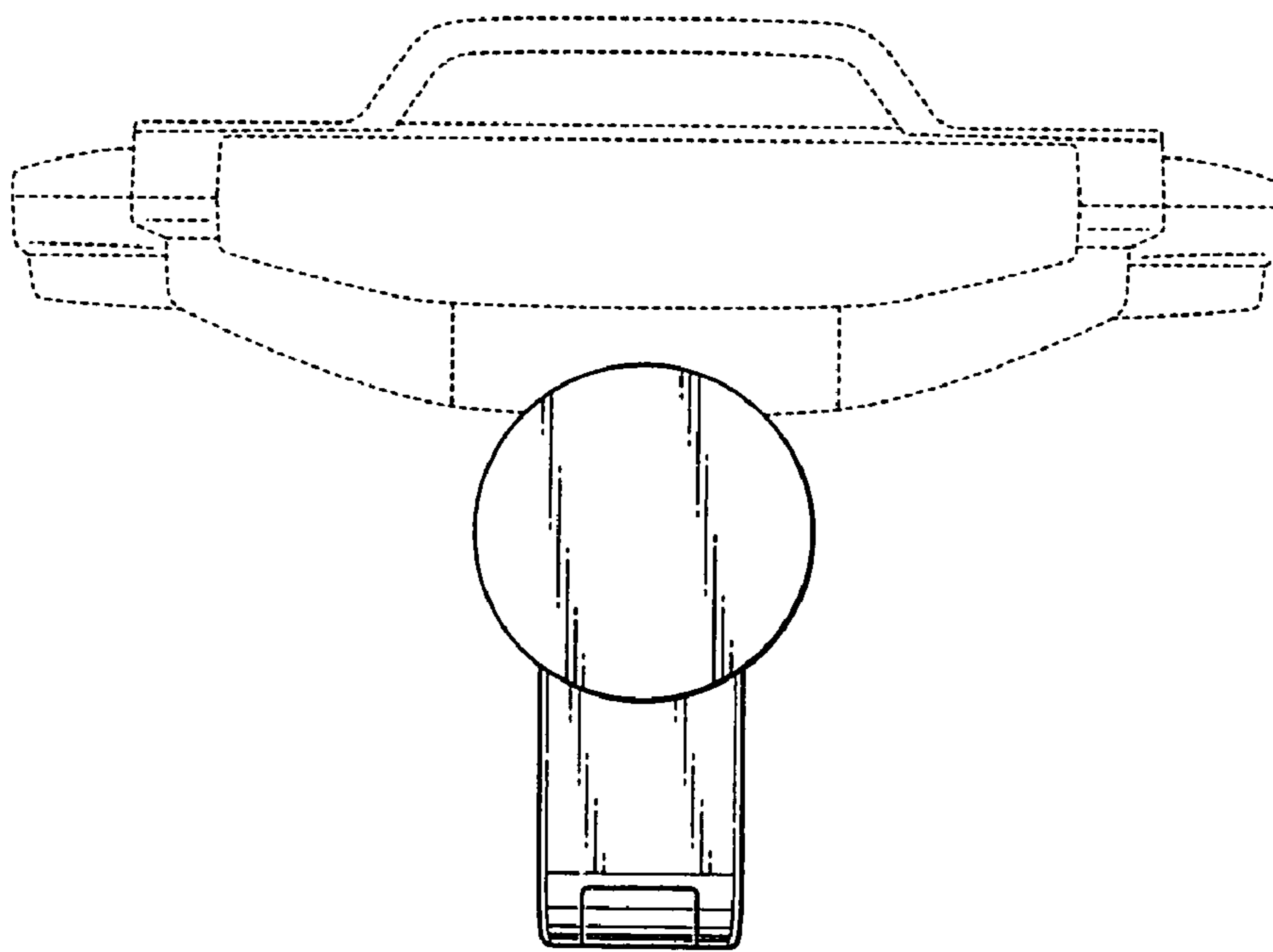


FIG. 6

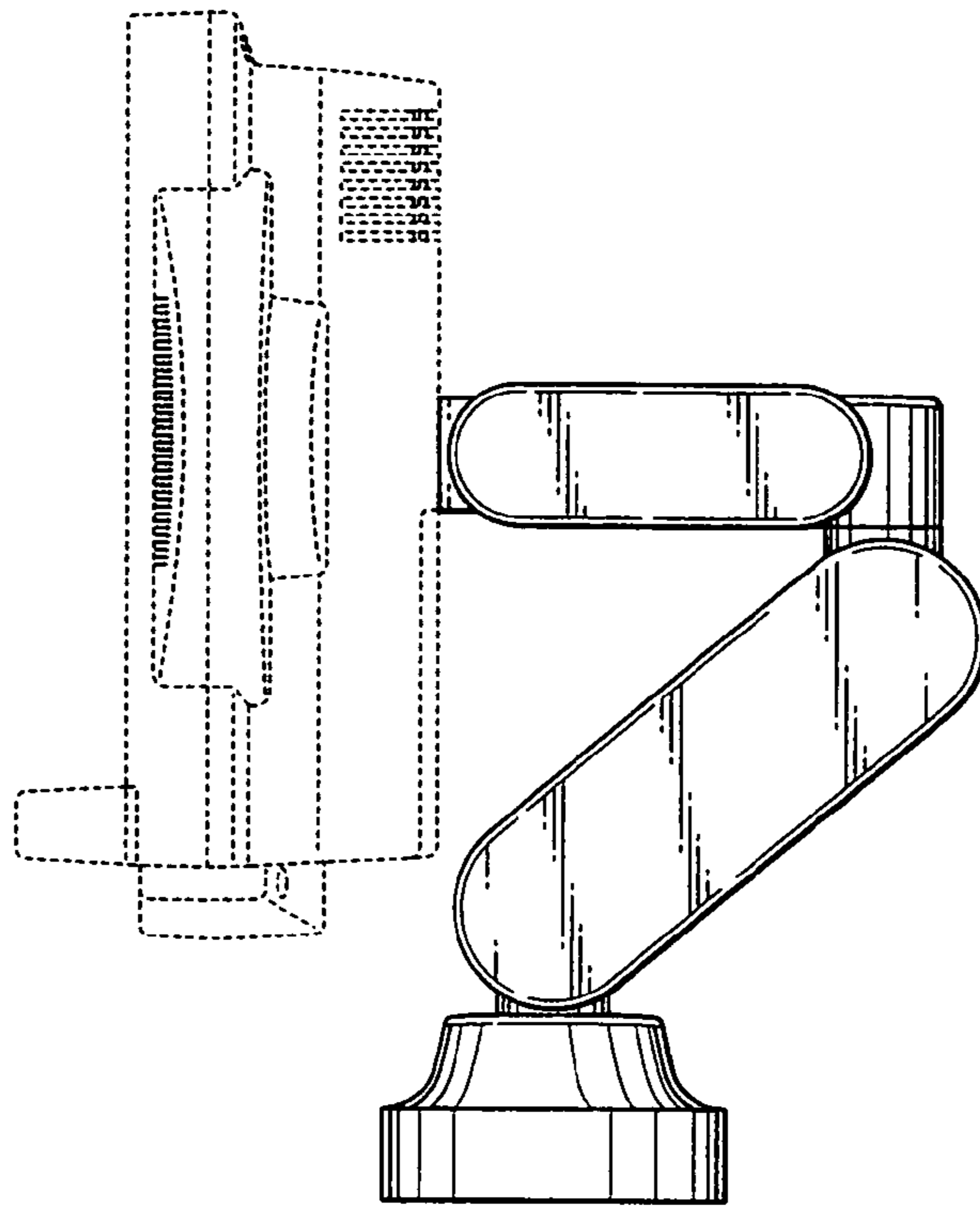


FIG. 7

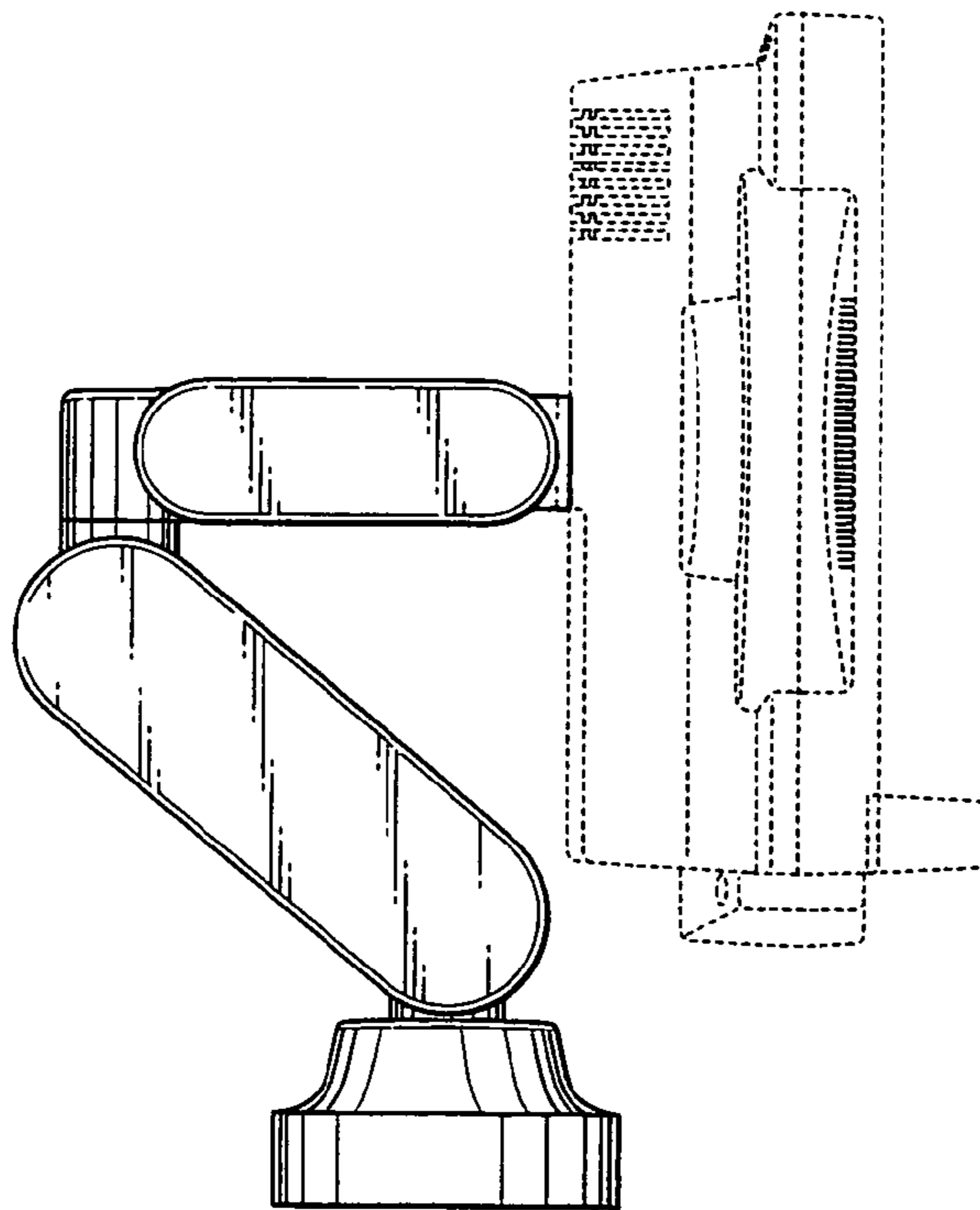


FIG. 8