



US00D558349S

(12) **United States Design Patent**
Bruno

(10) **Patent No.:** **US D558,349 S**

(45) **Date of Patent:** **** Dec. 25, 2007**

(54) **LAVAGE CHAIR**

(76) **Inventor:** **Roy R. Bruno**, 1122 S. Lamar, Austin, TX (US) 78704

(**) **Term:** **14 Years**

(21) **Appl. No.:** **29/228,931**

(22) **Filed:** **Apr. 29, 2005**

(51) **LOC (8) Cl.** **24-01**

(52) **U.S. Cl.** **D24/183**

(58) **Field of Classification Search** D24/183,
D24/188; 5/613, 622, 600, 607, 610-612,
5/618; 312/209; 297/327

See application file for complete search history.

(56) **References Cited**

U.S. PATENT DOCUMENTS

D282,781	S	*	2/1986	Lowder	D24/132
4,645,497	A	*	2/1987	Lowder	D24/111
D334,234	S	*	3/1993	Williams	D24/132
D367,705	S	*	3/1996	Williams	D24/132

* cited by examiner

Primary Examiner—Robert A. Delahany

Assistant Examiner—Mark Cavanna

(74) *Attorney, Agent, or Firm*—Meyertons, Hood, Kivlin, Kowert & Goetzel, P.C.; Eric B. Meyertons

(57) **CLAIM**

The ornamental design for a lavage chair, as shown and described.

DESCRIPTION

FIG. 1 is a perspective view of the non-folded lavage chair showing my new design with a bag and tubes shown in broken lines;

FIG. 2 is a front view thereof with a bag, tubes and casters shown in broken lines;

FIG. 3 is a front view thereof with a bag, tubes, casters and the removable waste container (coupled to the lavage chair) shown in broken lines;

FIG. 4 is a perspective view of the lavage chair in the folded position and the extendable bag support retracted;

FIG. 5 is a perspective view of the lavage chair in the folded position with the removable waste container (coupled to the lavage chair) and tube shown in broken lines;

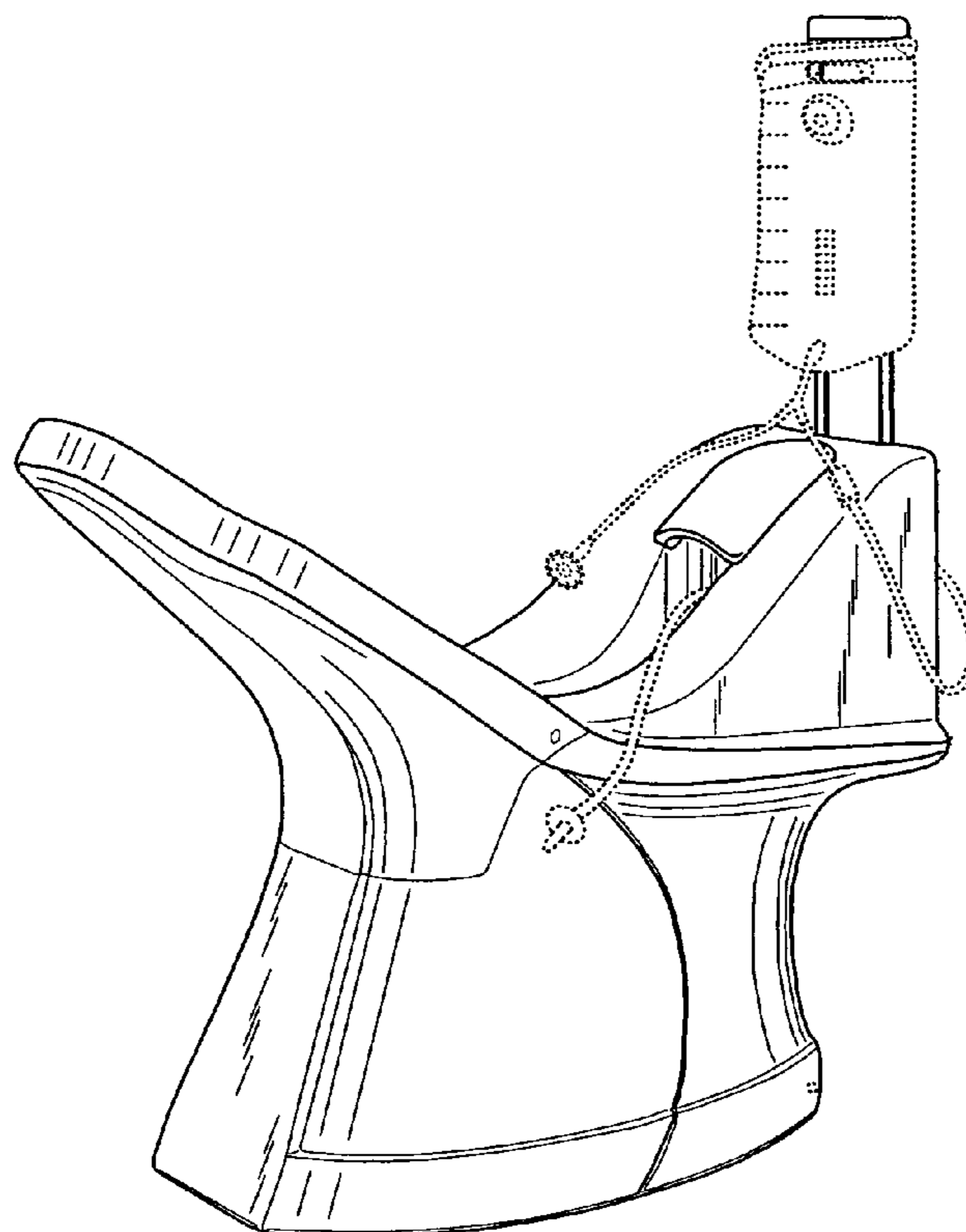
FIG. 6 is a back view of the lavage chair; and,

FIG. 7 is a side view of the lavage chair. The right side view is a mirror image of the left side view;

The bottom view of the lavage chair shows no claimed design features that are not clearly depicted in the presented figures.

The broken lines are for illustration purposes only and form no part of the claimed design.

1 Claim, 4 Drawing Sheets



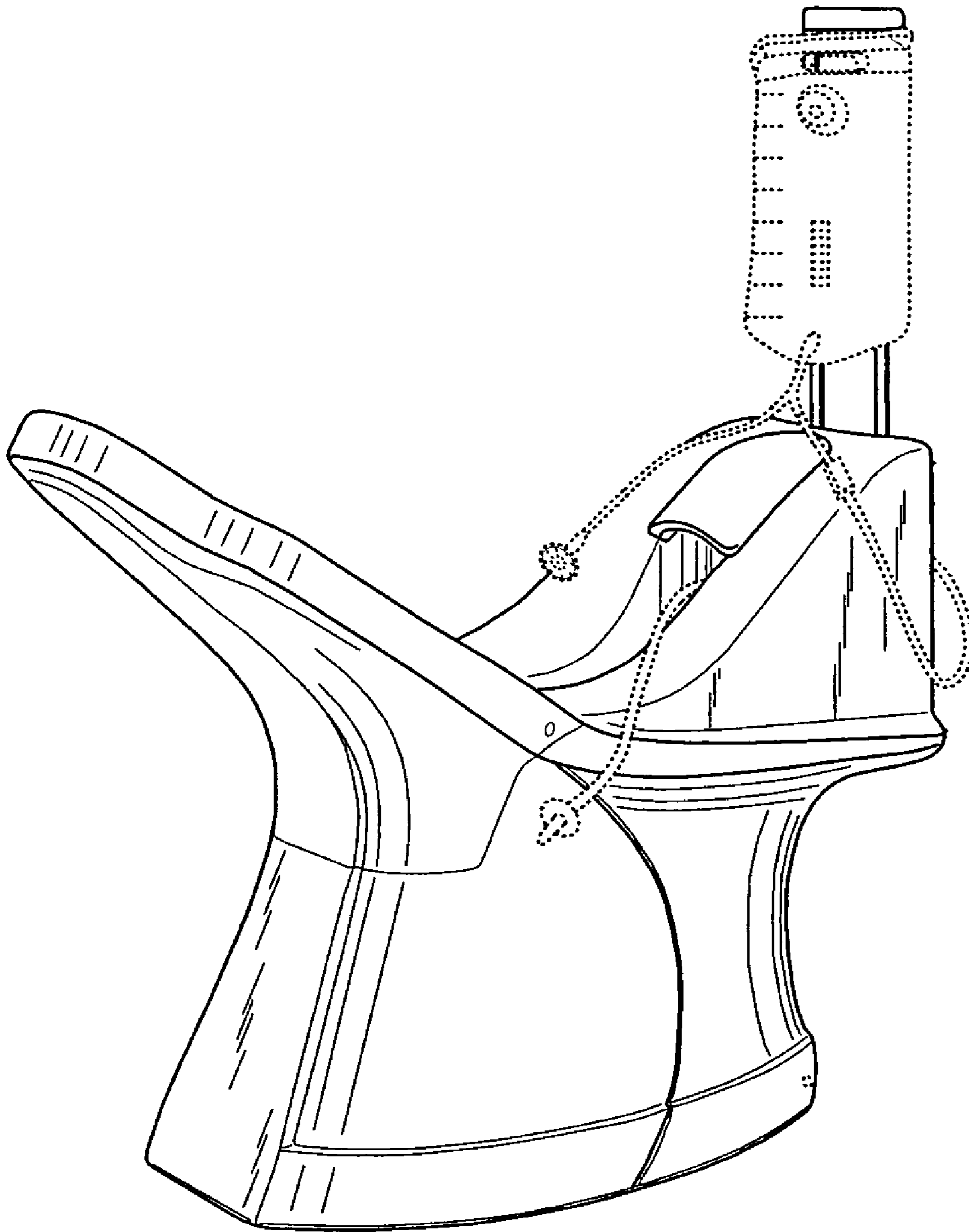


FIG. 1

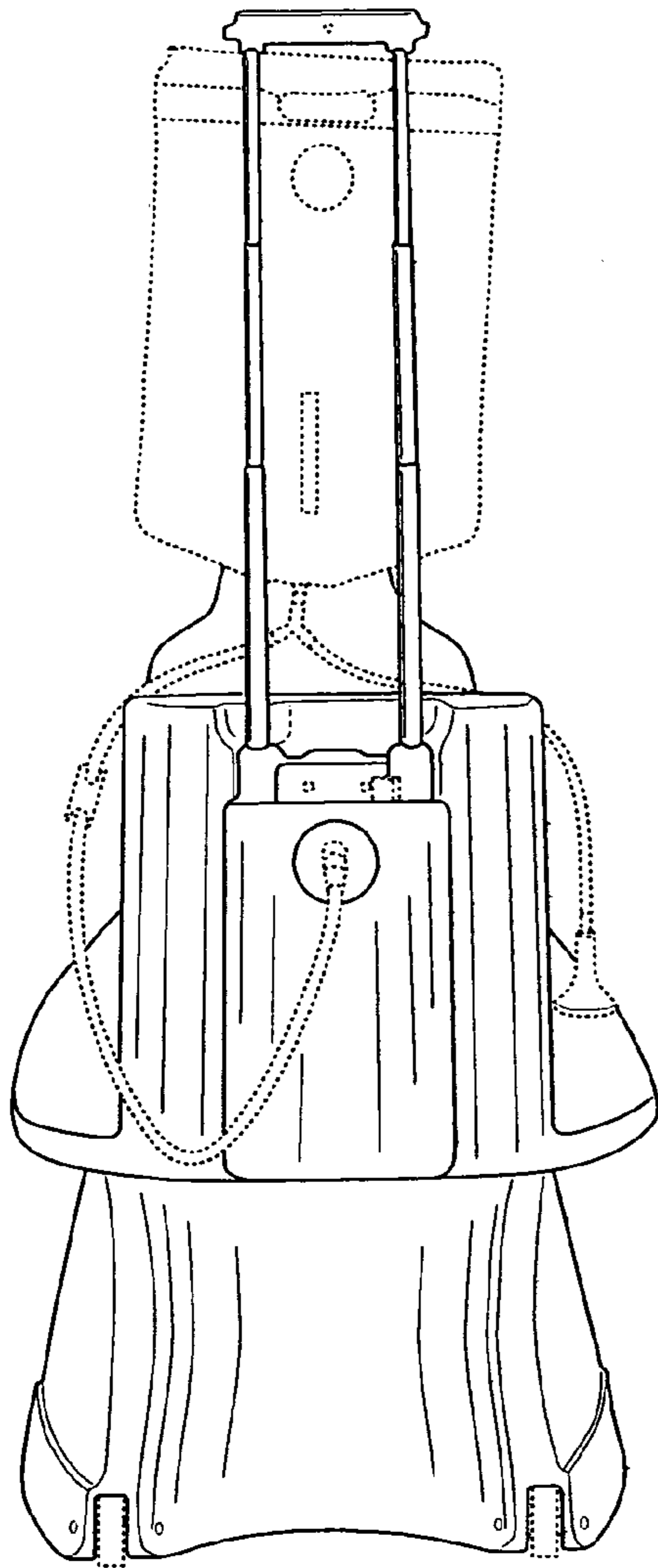


FIG. 2

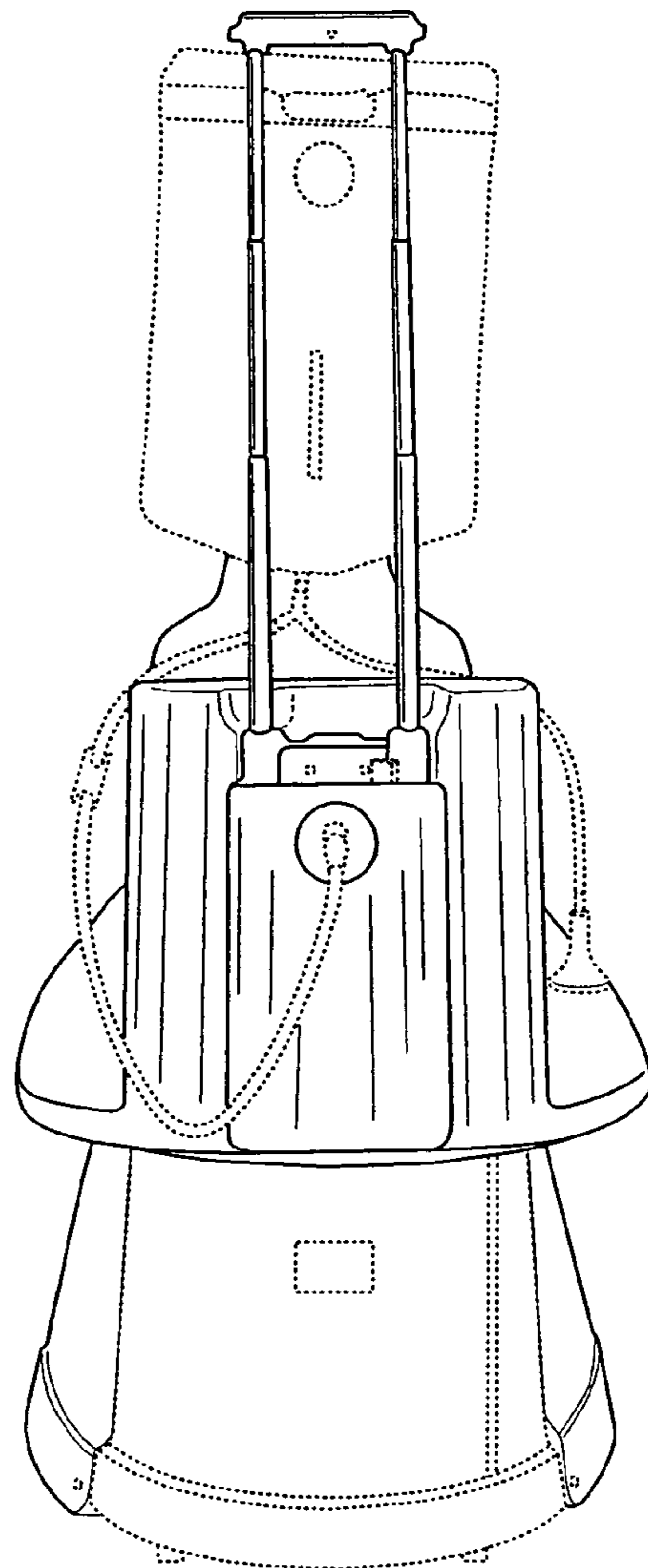


FIG. 3

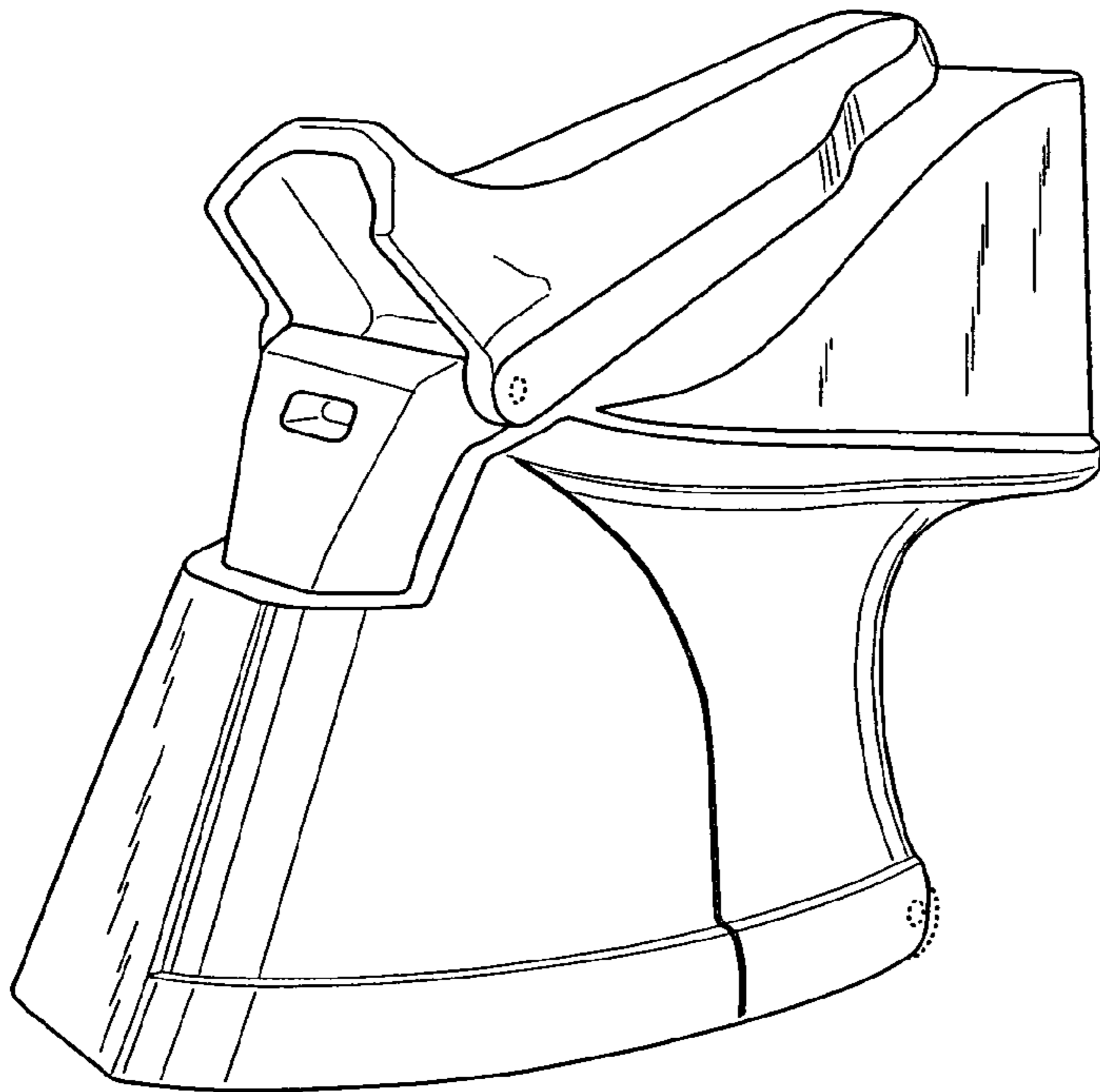


FIG. 4

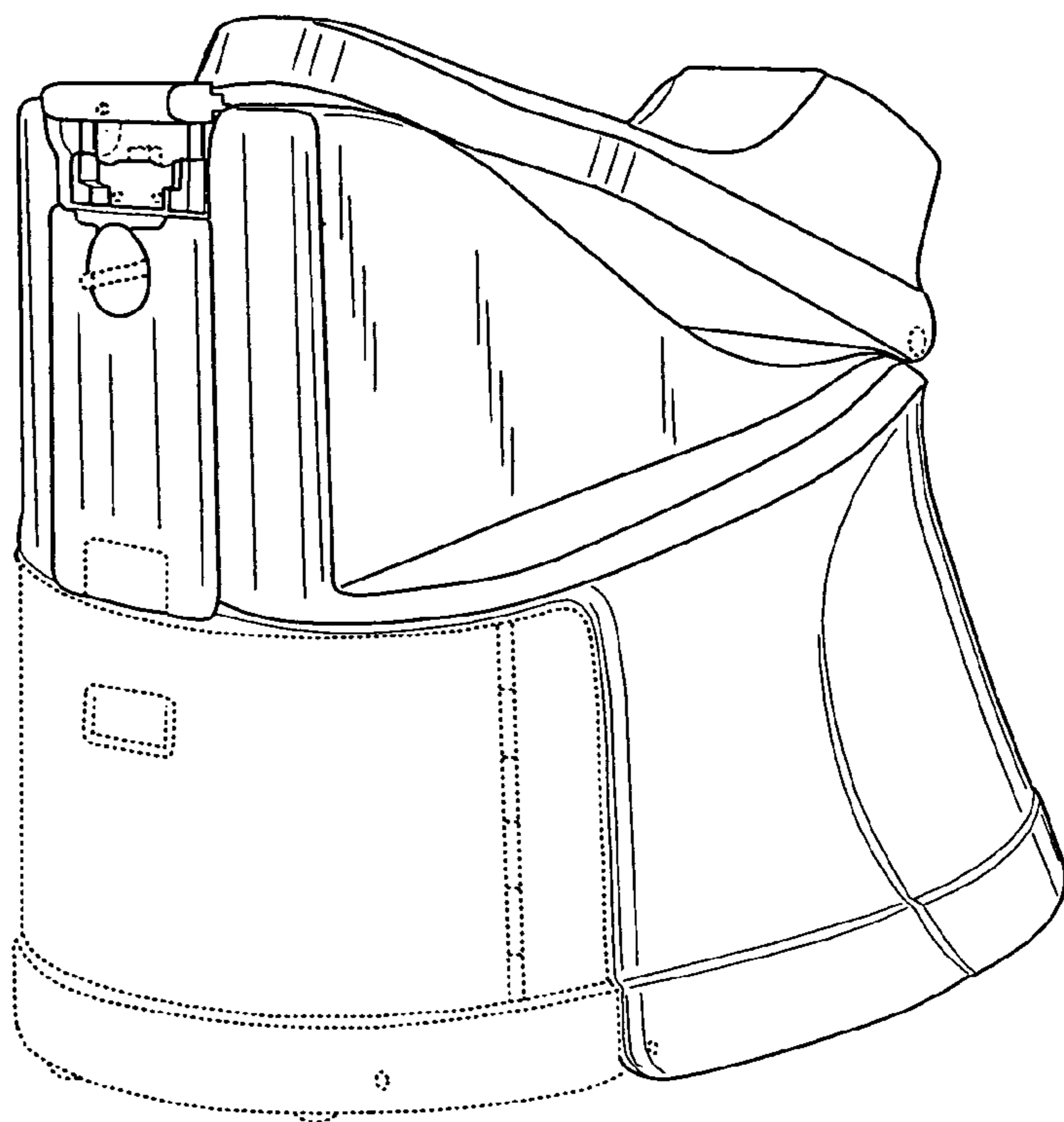


FIG. 5

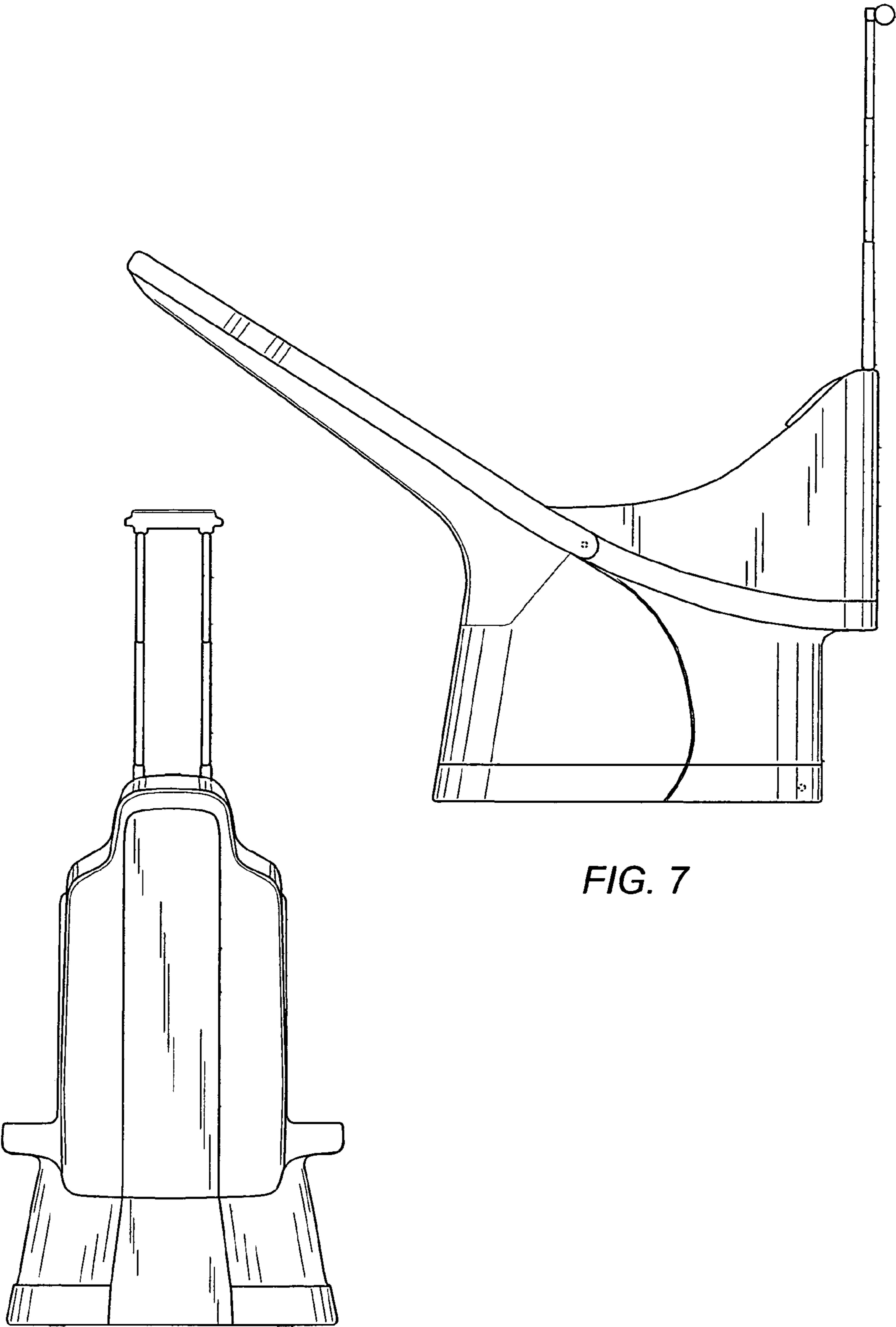


FIG. 6

FIG. 7