



US00D558347S

(12) **United States Design Patent**
Darnold et al.

(10) **Patent No.:** **US D558,347 S**

(45) **Date of Patent:** **** Dec. 25, 2007**

(54) **PERIODONTAL SCALING TIP FOR
ULTRASONIC DENTAL HANDPIECE**

(75) Inventors: **Leane Darnold**, Kirkwood, MO (US);
Doxey Phillips, Huntleigh, MO (US)

(73) Assignee: **Young OS, LC**, Fenton, MO (US)

(**) Term: **14 Years**

(21) Appl. No.: **29/250,089**

(22) Filed: **Nov. 1, 2006**

Related U.S. Application Data

(62) Division of application No. 29/199,700, filed on Feb. 18, 2004, now Pat. No. Des. 540,945.

(51) **LOC (8) Cl.** **24-03**

(52) **U.S. Cl.** **D24/152**

(58) **Field of Classification Search** D24/152-154,
D24/176, 146, 144; 81/426, 416; 433/159,
433/160, 80, 141

See application file for complete search history.

(56) **References Cited**

U.S. PATENT DOCUMENTS

| | | | | | |
|-----------|-----|---------|----------------|-------|---------|
| D29,560 | S * | 11/1898 | Greene | | D24/152 |
| D32,154 | S * | 1/1900 | Harper | | D24/152 |
| 3,645,255 | A | 2/1972 | Robinson | | |
| D237,187 | S * | 10/1975 | Fattaleh | | D24/146 |
| 4,283,175 | A | 8/1981 | Nash | | |
| D261,932 | S * | 11/1981 | Bussiere | | D24/152 |
| D275,992 | S * | 10/1984 | Detsch | | D24/152 |
| D283,045 | S * | 3/1986 | Lynn | | D24/146 |
| 4,731,019 | A | 3/1988 | Martin | | |
| D297,664 | S * | 9/1988 | Brunner et al. | | D24/152 |
| 5,094,617 | A | 3/1992 | Carr | | |
| 5,098,292 | A * | 3/1992 | Lazarof | | 433/141 |
| 5,197,875 | A * | 3/1993 | Nerli | | 433/80 |
| 5,244,390 | A | 9/1993 | Lazzara et al. | | |
| 5,567,153 | A | 10/1996 | Foulkes et al. | | |
| 5,704,787 | A | 1/1998 | Hickok et al. | | |
| 5,733,119 | A | 3/1998 | Carr | | |
| 5,836,765 | A | 11/1998 | Hickok | | |

| | | | | | |
|-----------|-----|---------|----------|-------|---------|
| D417,913 | S * | 12/1999 | Szarmach | | D24/152 |
| D422,707 | S * | 4/2000 | Bock | | D24/176 |
| D453,378 | S * | 2/2002 | Mangione | | D24/152 |
| D459,476 | S * | 6/2002 | Mangione | | D24/152 |
| D459,809 | S * | 7/2002 | Mangione | | D24/152 |
| 6,722,882 | B2 | 4/2004 | Buchanan | | |
| D490,899 | S * | 6/2004 | Gagnon | | D24/152 |

(Continued)

Primary Examiner—Charles A. Rademaker

(74) *Attorney, Agent, or Firm*—Polster, Lieder, Woodruff & Lucchesi, L. C.

(57) **CLAIM**

The ornamental design for periodontal scaling tip for ultrasonic dental handpiece, as shown and described.

DESCRIPTION

FIG. 1 is a perspective view of a periodontal scaling tip for ultrasonic dental handpiece showing our new design;

FIG. 2 is a top plan view thereof;

FIG. 3 is a bottom plan view thereof;

FIG. 4 is a front elevation thereof;

FIG. 5 is a rear elevation thereof;

FIG. 6 is a right side elevation thereof;

FIG. 7 is a left side elevation thereof;

FIG. 8 is a perspective view of a modified embodiment of the design shown in FIGS. 1 through 7;

FIG. 9 is a top plan view thereof;

FIG. 10 is a bottom plan view thereof;

FIG. 11 is a front elevation thereof;

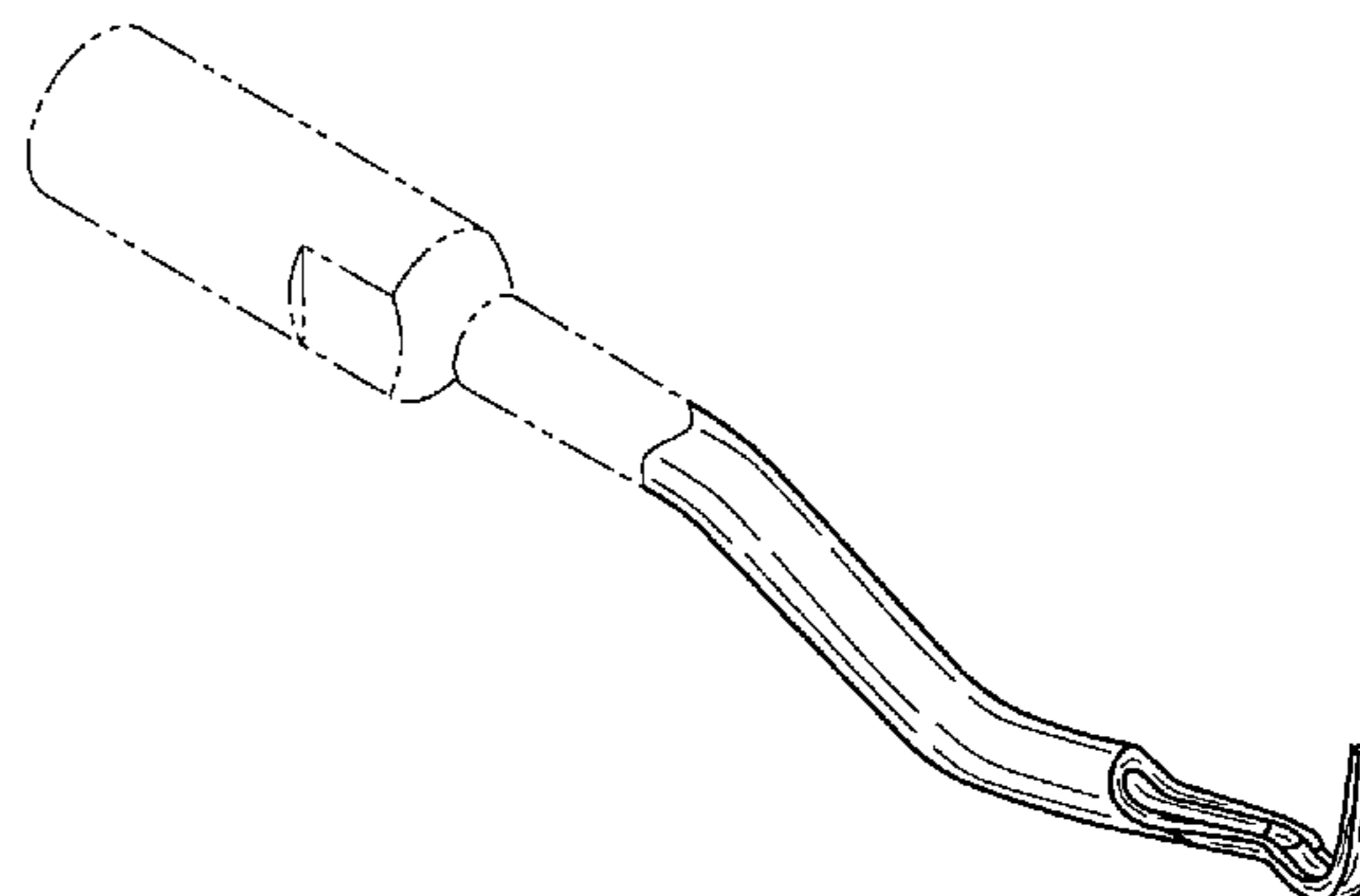
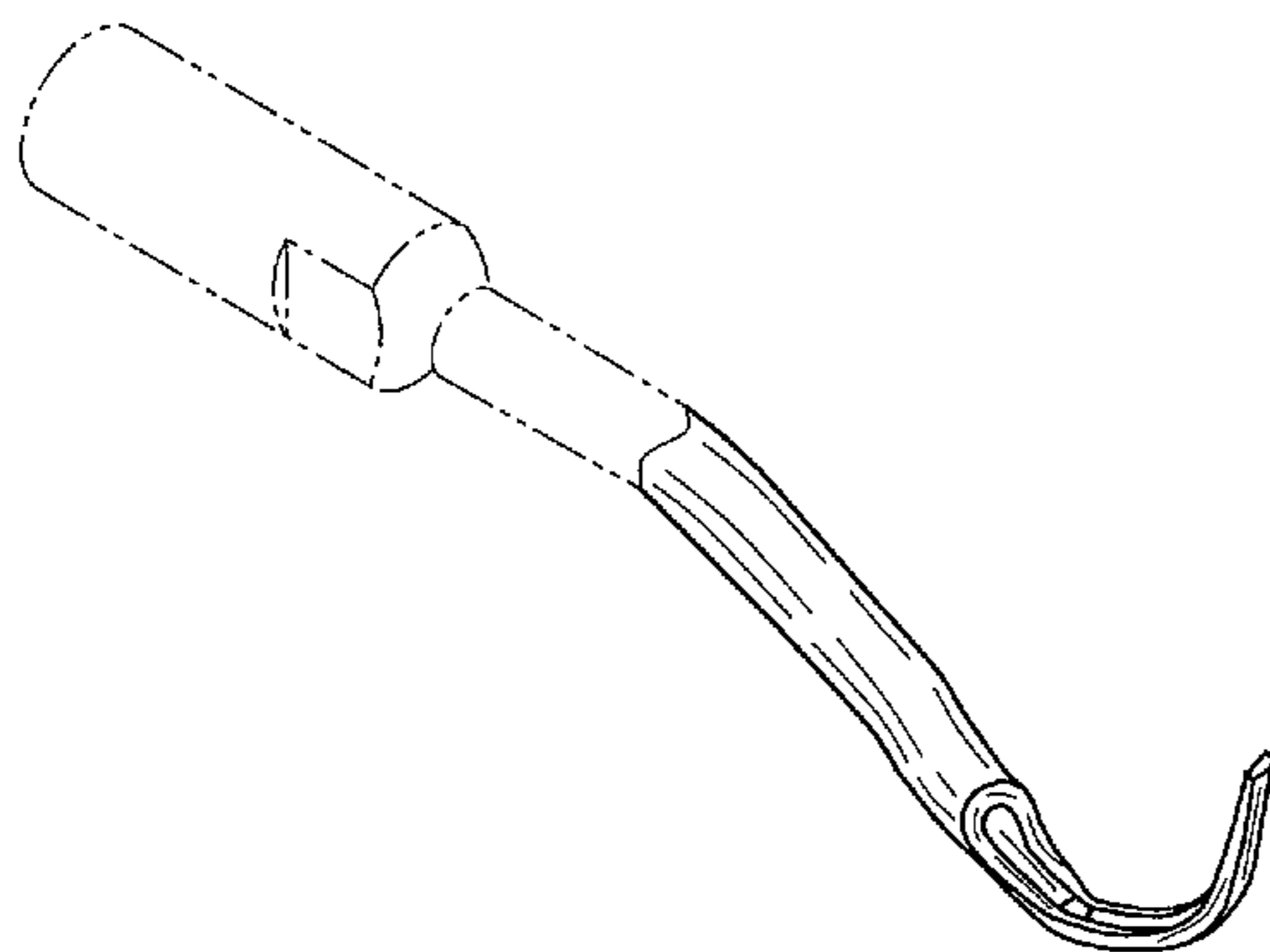
FIG. 12 is a rear elevation thereof;

FIG. 13 is a right side elevation thereof; and,

FIG. 14 is a left side elevation thereof.

The broken lines shown in the drawings represent environmental structures and are included for the purpose of illustration and form no part of the claimed design.

1 Claim, 3 Drawing Sheets



US D558,347 S

Page 2

U.S. PATENT DOCUMENTS

| | | | | | | | |
|--------------|--------|-------------------------|---------|------------------|---------|------------------|---------|
| D492,778 S * | 7/2004 | Narini | D24/146 | 2002/0072035 A1 | 6/2002 | Hickok | |
| D494,678 S * | 8/2004 | Kemeny et al. | D24/152 | 2003/0096213 A1 | 5/2003 | Hickok et al. | |
| D504,948 S * | 5/2005 | Dragan et al. | D24/152 | 2003/0157458 A1 | 8/2003 | Buchanan | |
| D509,588 S * | 9/2005 | Vercellotti et al. | D24/144 | 2004/0214138 A1* | 10/2004 | Senn et al. | 433/141 |

* cited by examiner

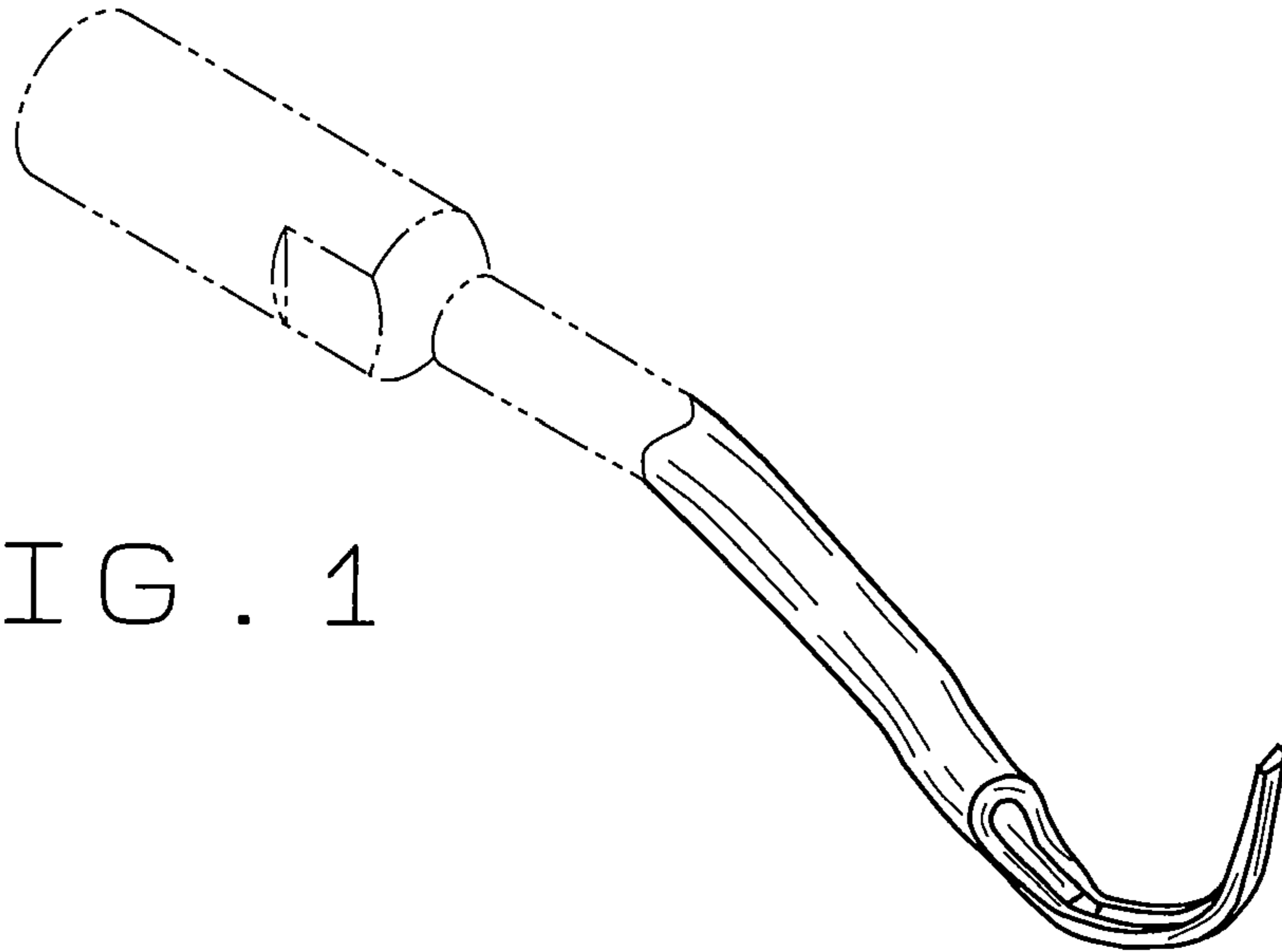


FIG. 1

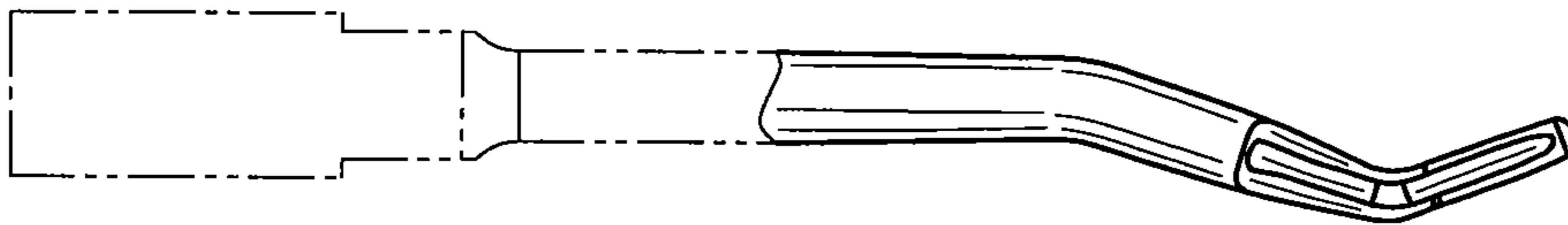


FIG. 2

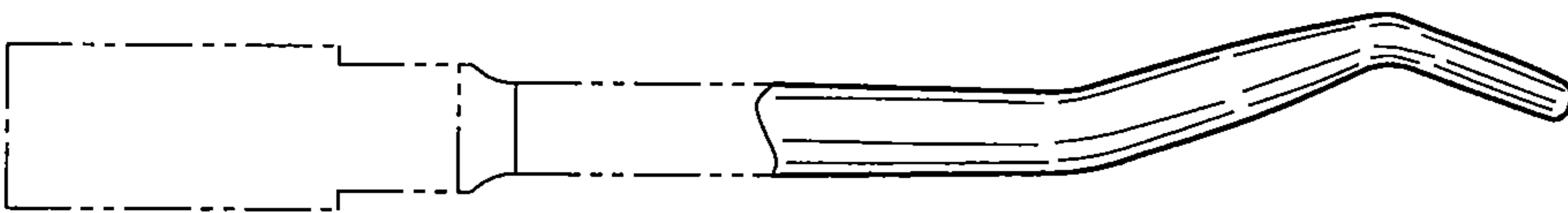


FIG. 3

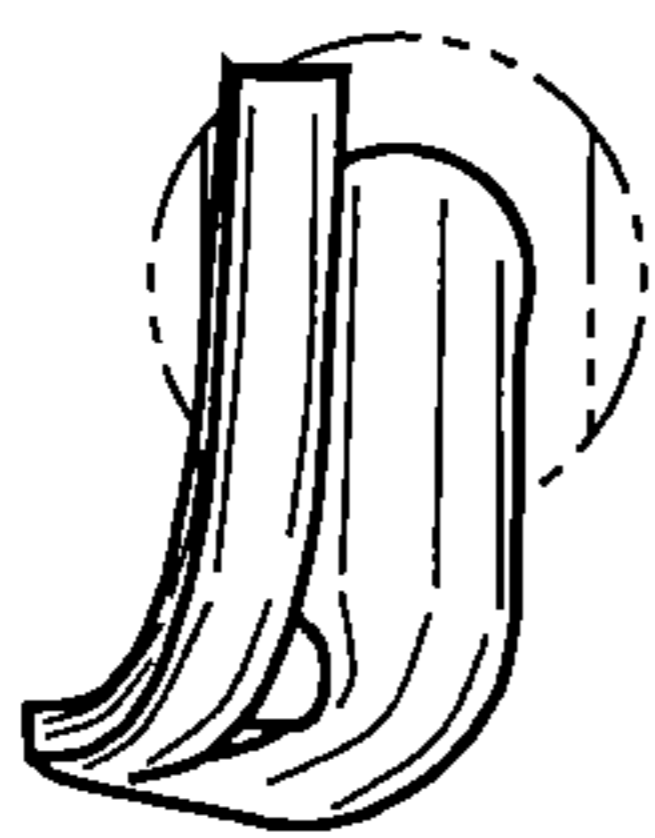


FIG. 4

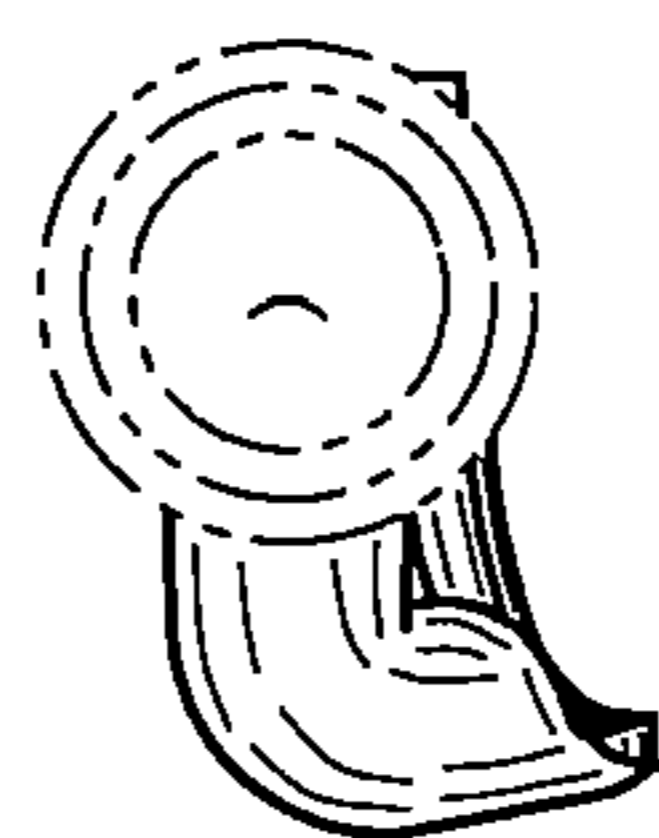


FIG. 5

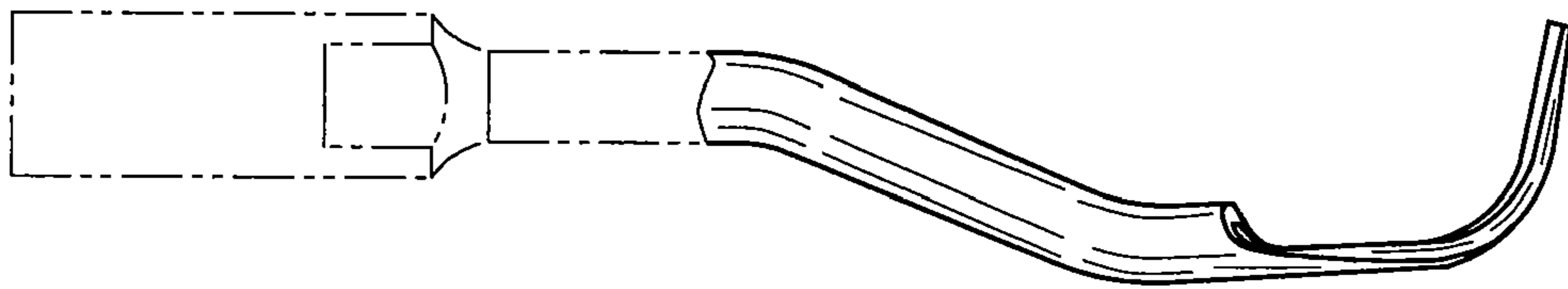


FIG. 6

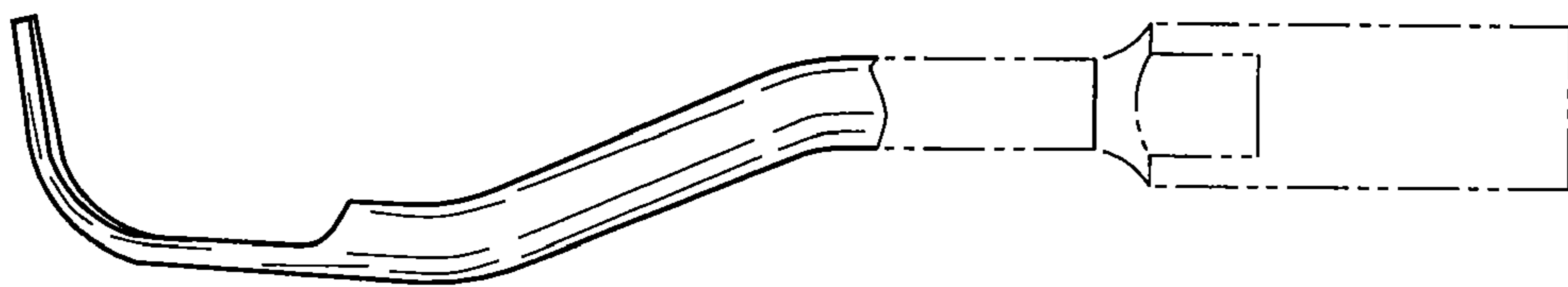


FIG. 7

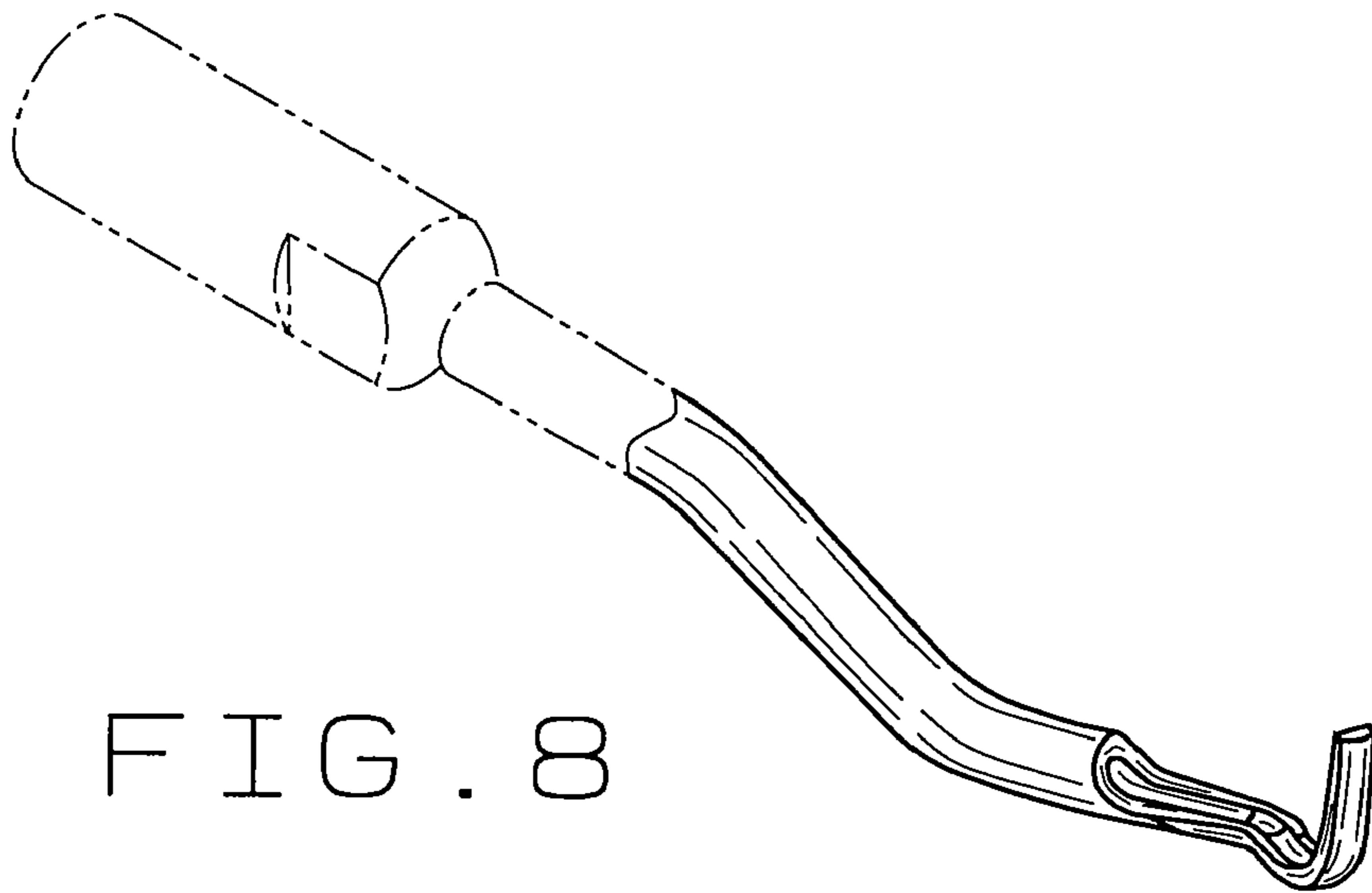


FIG. 8

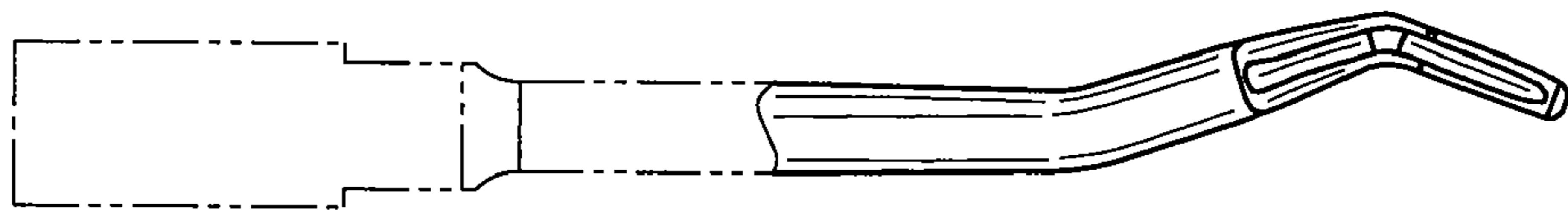


FIG. 9

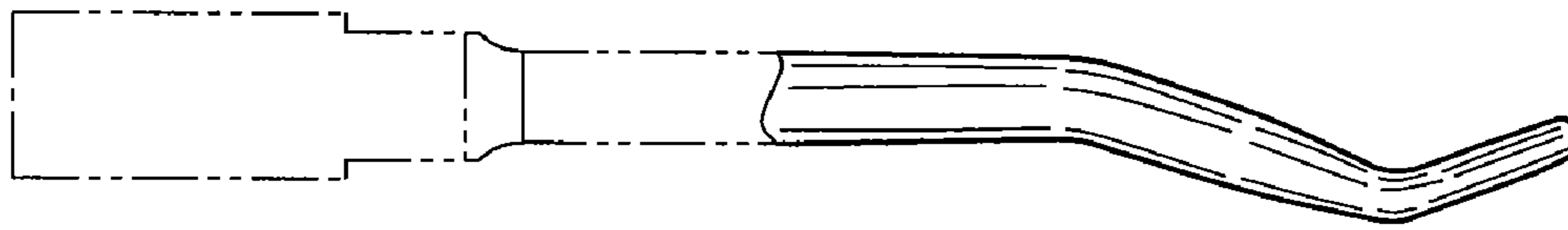


FIG. 10

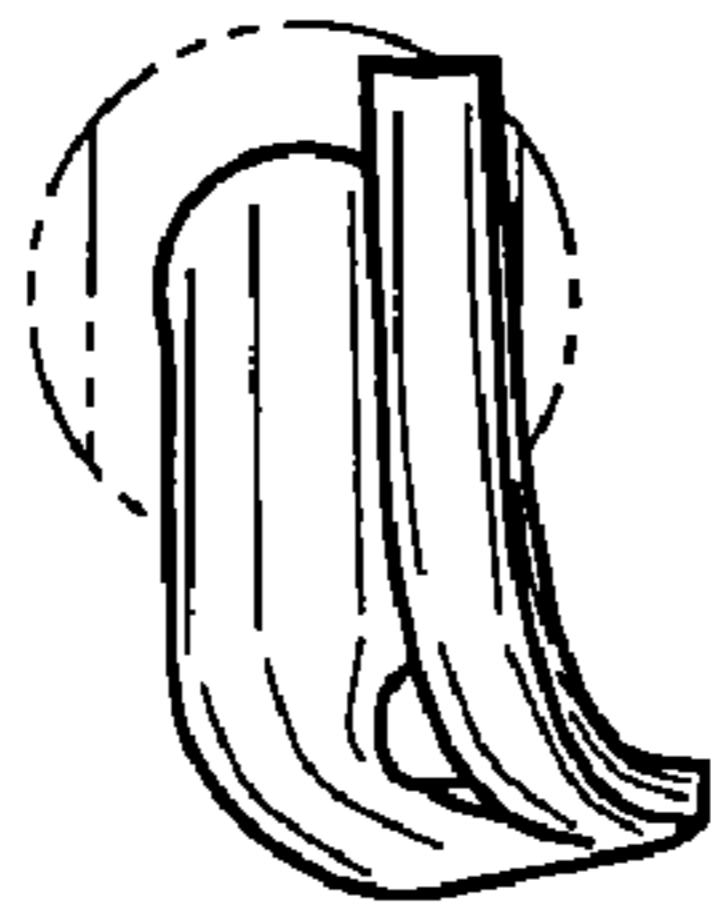


FIG. 11

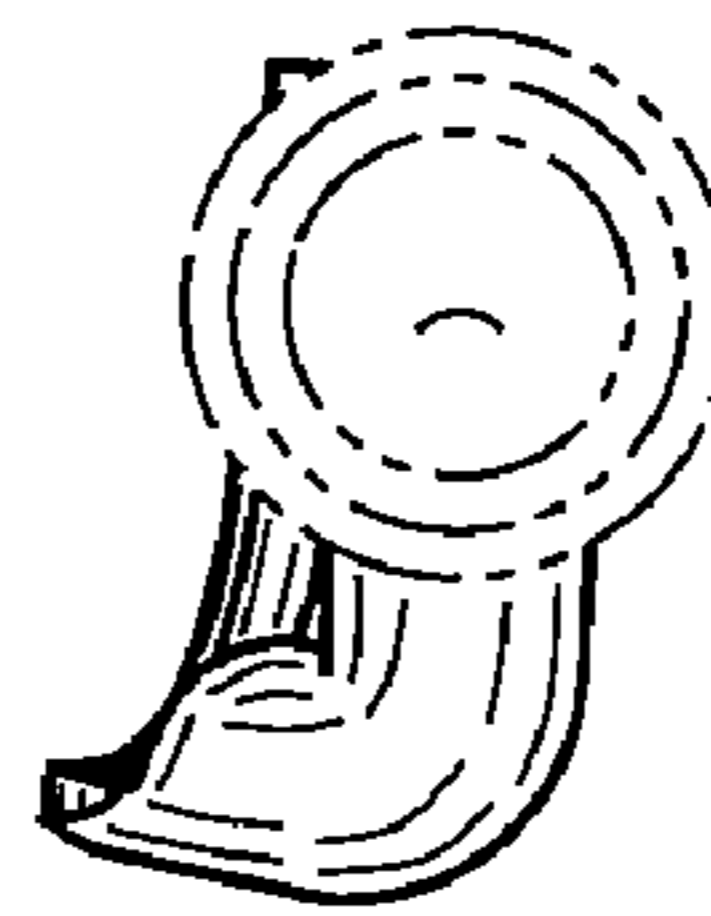


FIG. 12

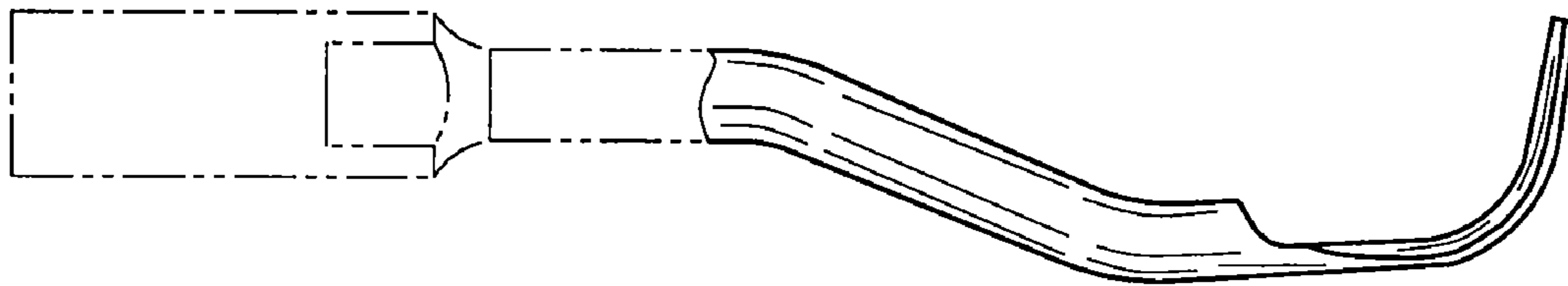


FIG. 13

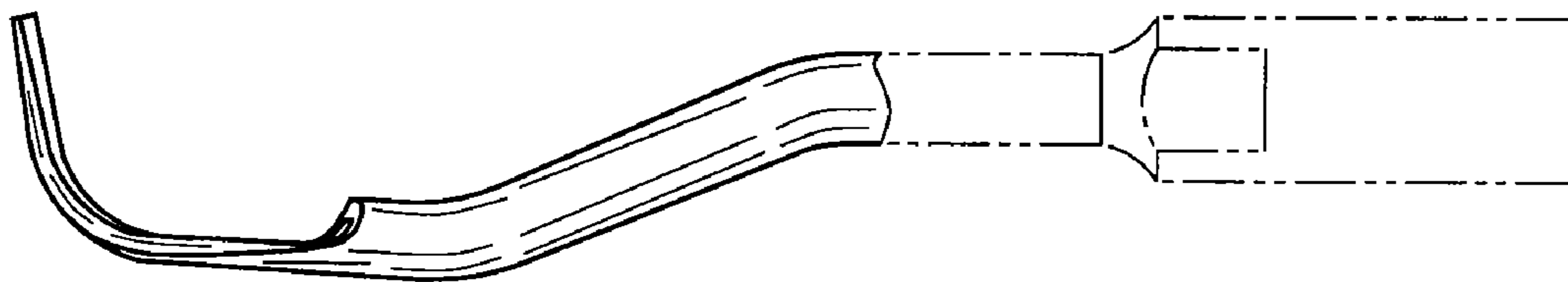


FIG. 14