



US00D558344S

(12) **United States Design Patent**  
**Saddlemire et al.**

(10) **Patent No.:** **US D558,344 S**

(45) **Date of Patent:** **\*\* Dec. 25, 2007**

(54) **VAGINAL SPECULUM**

(75) Inventors: **Dale C. Saddlemire**, Cortland, NY (US); **Michael T. McMahon**, Syracuse, NY (US); **Susan E. Dubay**, Syracuse, NY (US); **Scott W. Osiecki**, Skaneateles, NY (US); **Donwoong Kang**, Camillus, NY (US)

(73) Assignee: **Welch Allyn, Inc.**, Skaneateles Falls, NY (US)

(\*\*) Term: **14 Years**

(21) Appl. No.: **29/268,433**

(22) Filed: **Nov. 7, 2006**

(30) **Foreign Application Priority Data**

May 9, 2006 (EM) ..... 000525191

(51) **LOC (8) Cl.** ..... **24-02**

(52) **U.S. Cl.** ..... **D24/135**

(58) **Field of Classification Search** ..... D24/135;  
600/220, 225, 219, 234, 205, 223, 197  
See application file for complete search history.

(56) **References Cited**

**U.S. PATENT DOCUMENTS**

|              |      |         |              |       |         |
|--------------|------|---------|--------------|-------|---------|
| 4,385,626    | A *  | 5/1983  | Danz         | ..... | 600/220 |
| D274,356     | S *  | 6/1984  | Riedell      | ..... | D24/135 |
| D299,532     | S *  | 1/1989  | Cecil et al. | ..... | D24/135 |
| 5,499,964    | A *  | 3/1996  | Beck et al.  | ..... | 600/220 |
| 5,997,474    | A *  | 12/1999 | Batchelor    | ..... | 600/220 |
| 6,394,950    | B1 * | 5/2002  | Weiss        | ..... | 600/205 |
| D474,275     | S *  | 5/2003  | Tan          | ..... | D24/135 |
| 6,702,740    | B2 * | 3/2004  | Herold       | ..... | 600/220 |
| 2002/0169363 | A1 * | 11/2002 | Herold       | ..... | 600/220 |

\* cited by examiner

*Primary Examiner*—Ian Simmons  
*Assistant Examiner*—Carissa C Fitts

(57) **CLAIM**

The ornamental design for a vaginal speculum, as shown and described.

**DESCRIPTION**

FIG. 1 is a front perspective view of a vaginal speculum in accordance with a first embodiment of our design, the broken lines shown for illustrative purposes only and form no part of the claimed design;

FIG. 2 is a rear perspective view thereof;

FIG. 3 is a left side view thereof;

FIG. 4 is a front view thereof;

FIG. 5 is a rear view thereof;

FIG. 6 is a right side view thereof;

FIG. 7 is a top plan view thereof;

FIG. 8 is a bottom view thereof;

FIG. 9 is a front perspective view of a vaginal speculum in accordance with a second embodiment of our design, the broken lines shown for illustrative purposes only and form no part of the claimed design;

FIG. 10 is a rear perspective view thereof;

FIG. 11 is a left side view thereof;

FIG. 12 is a front view thereof;

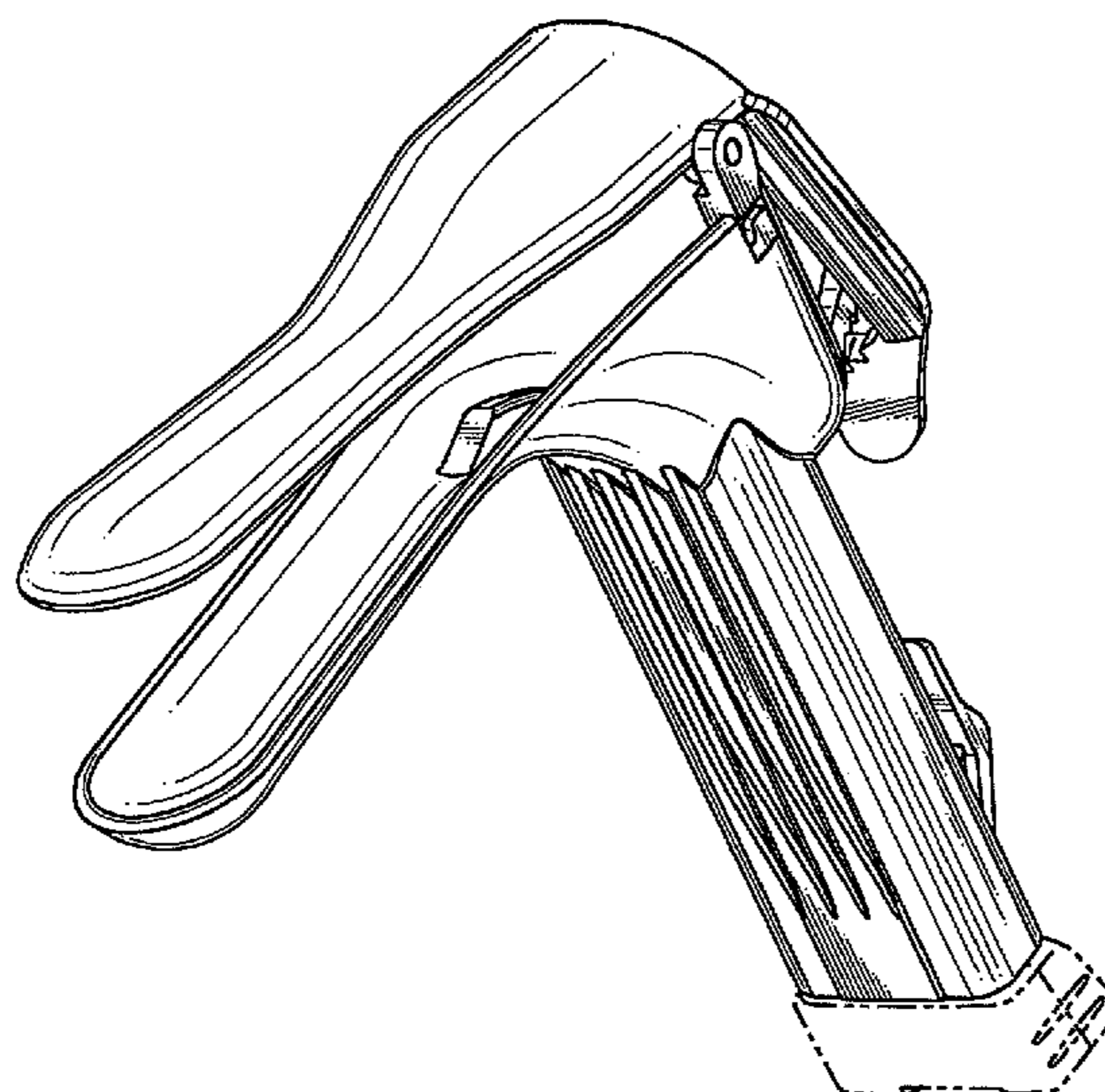
FIG. 13 is a rear view thereof;

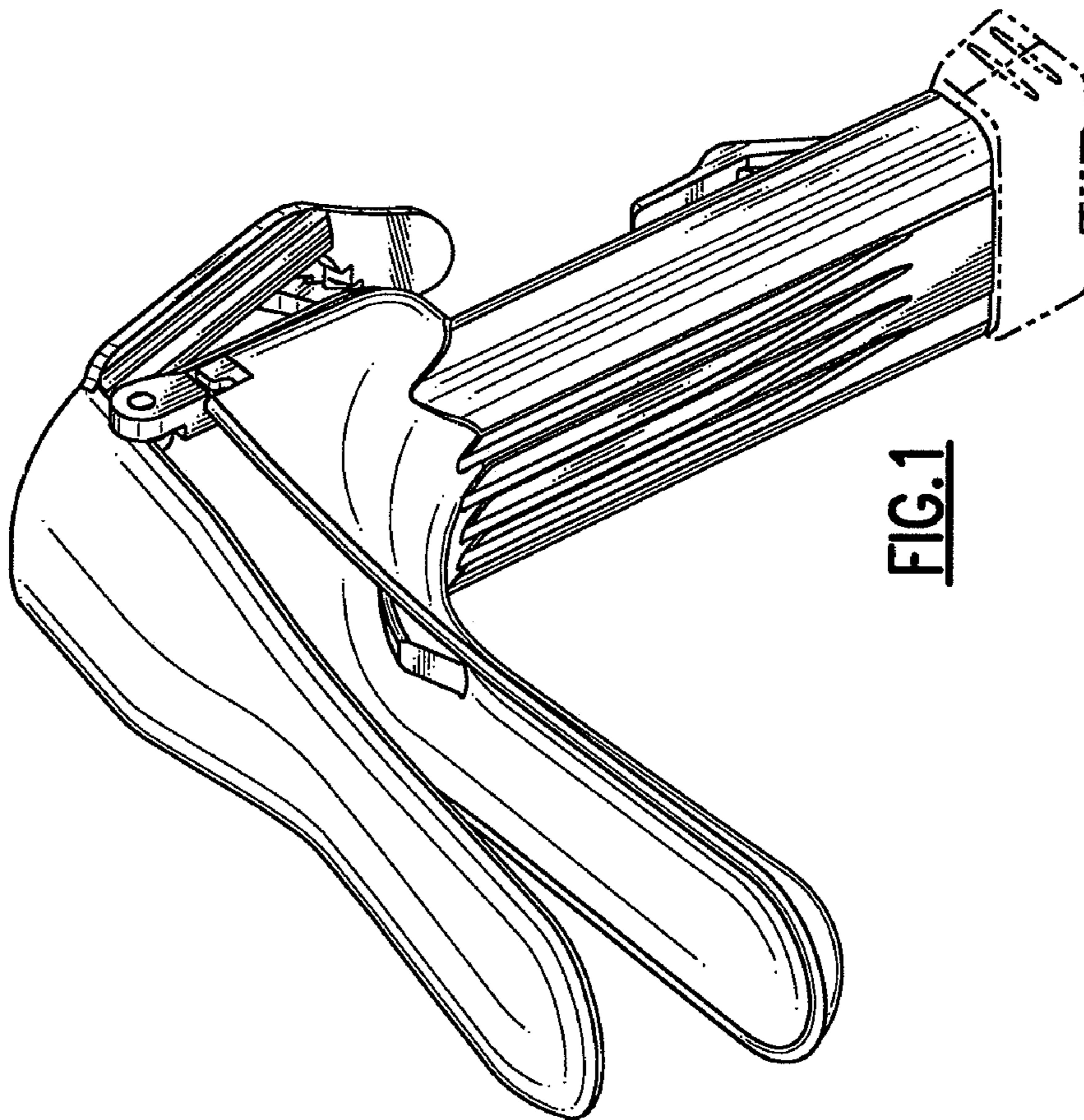
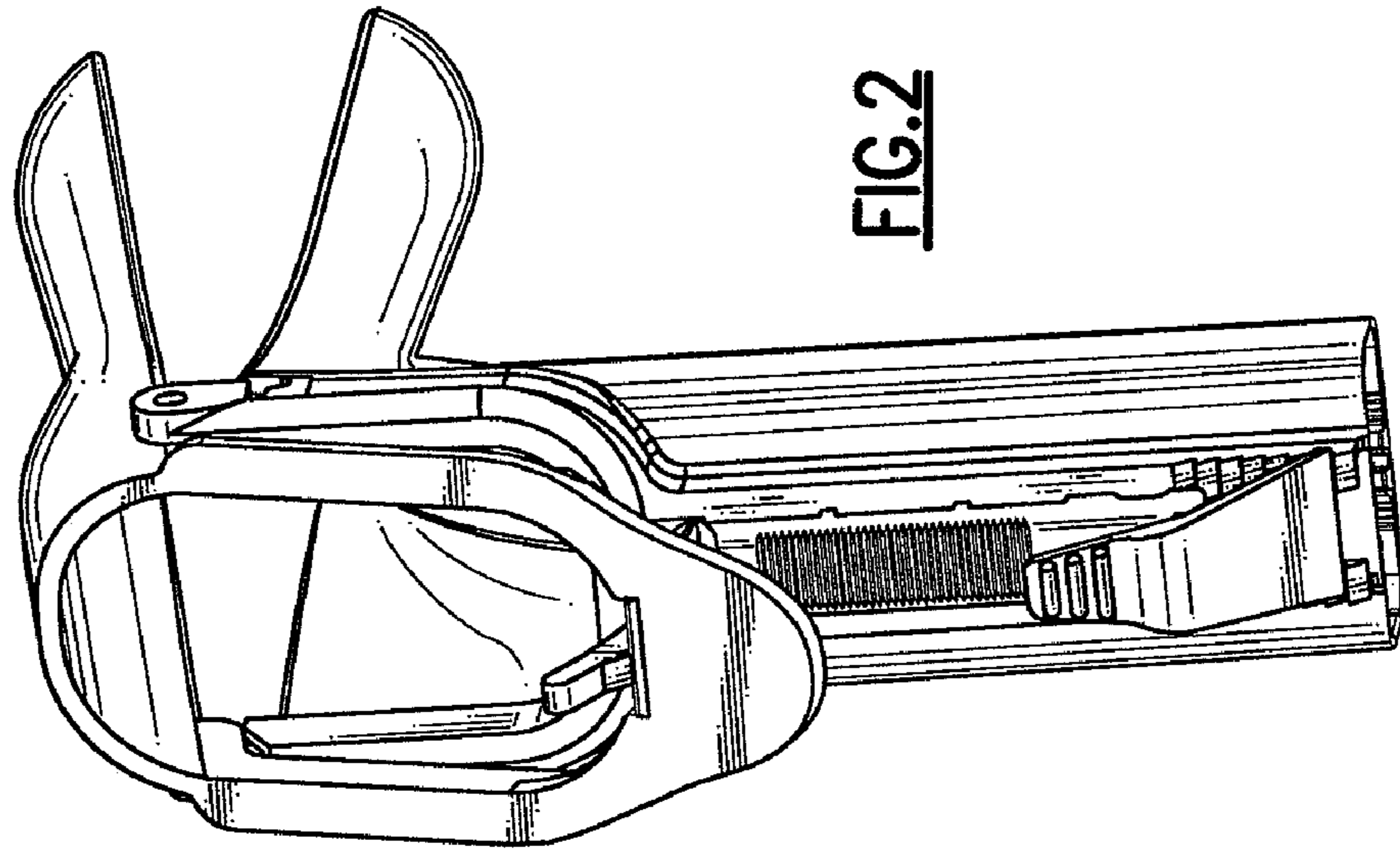
FIG. 14 is a right side view thereof;

FIG. 15 is a top plan view thereof; and,

FIG. 16 is a bottom view thereof.

**1 Claim, 6 Drawing Sheets**





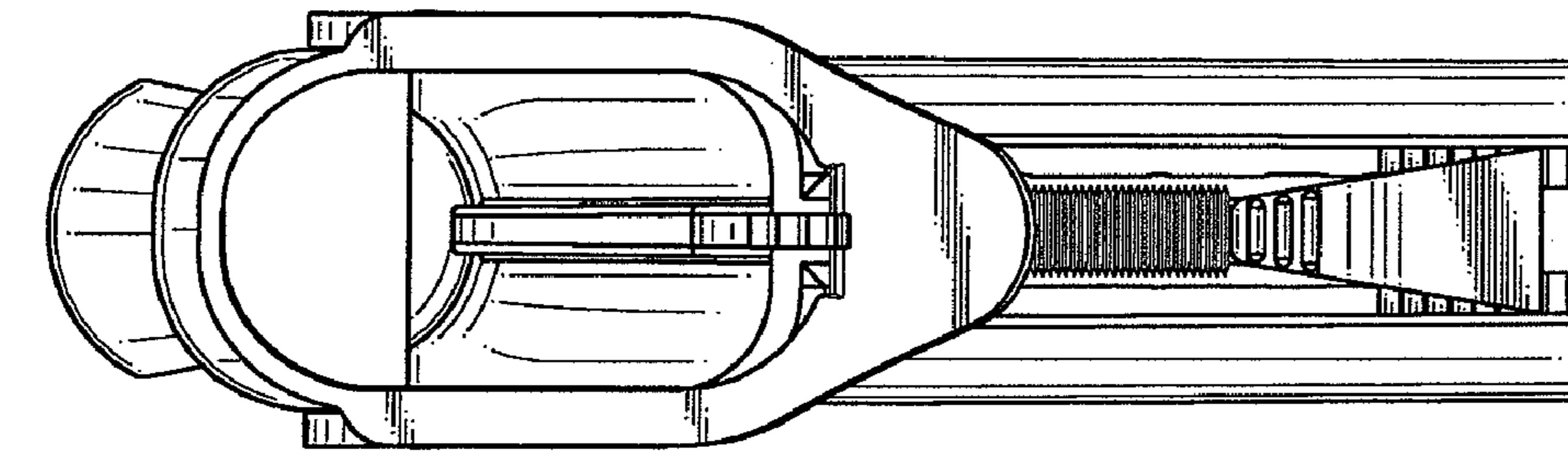


FIG. 5

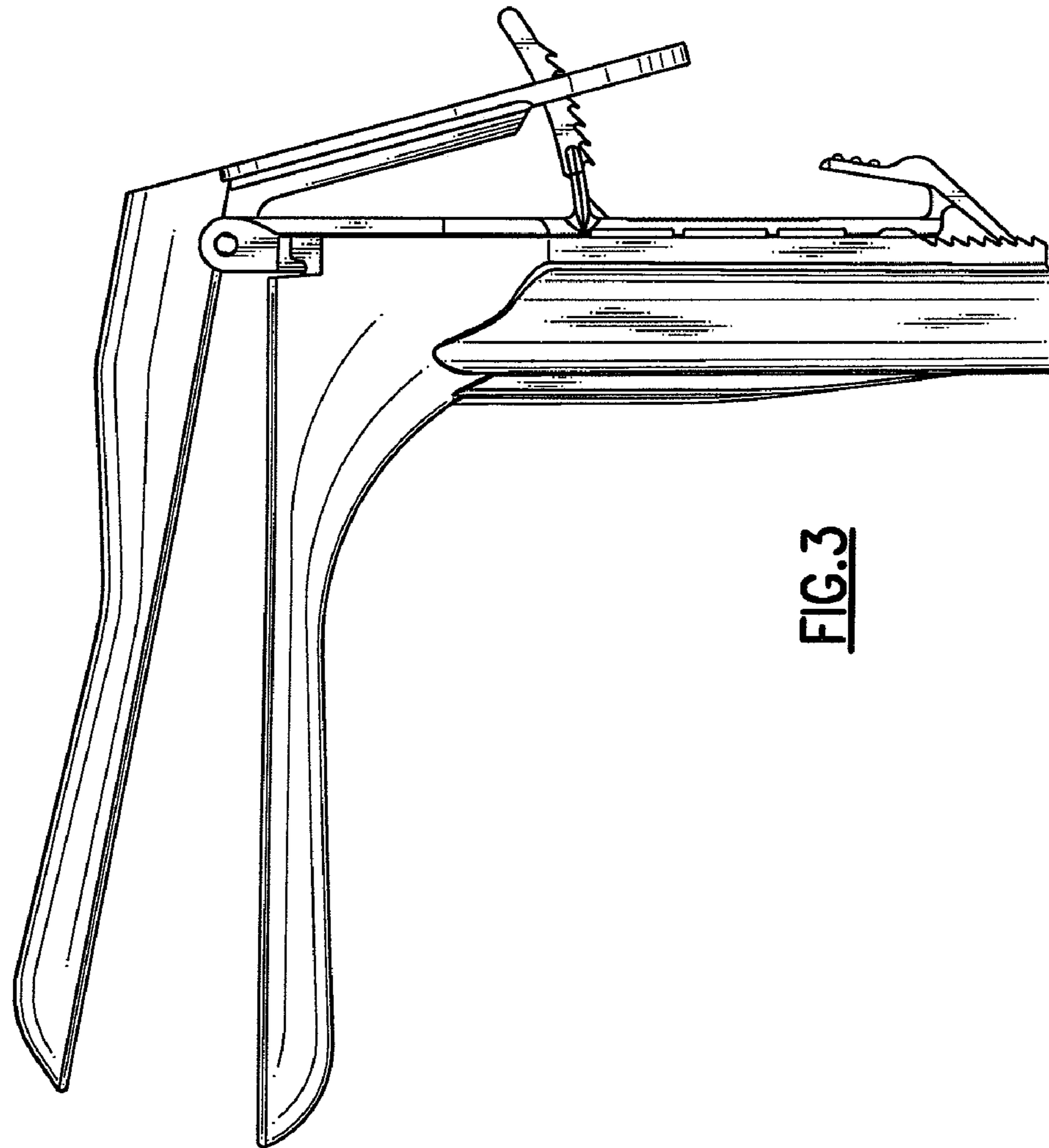


FIG. 3

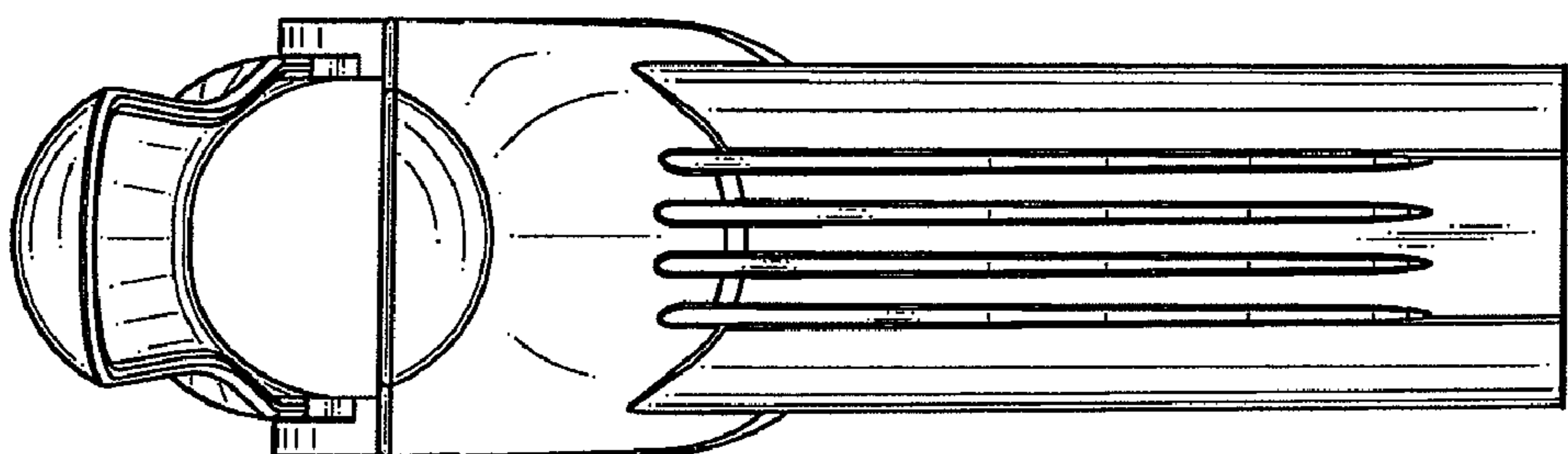
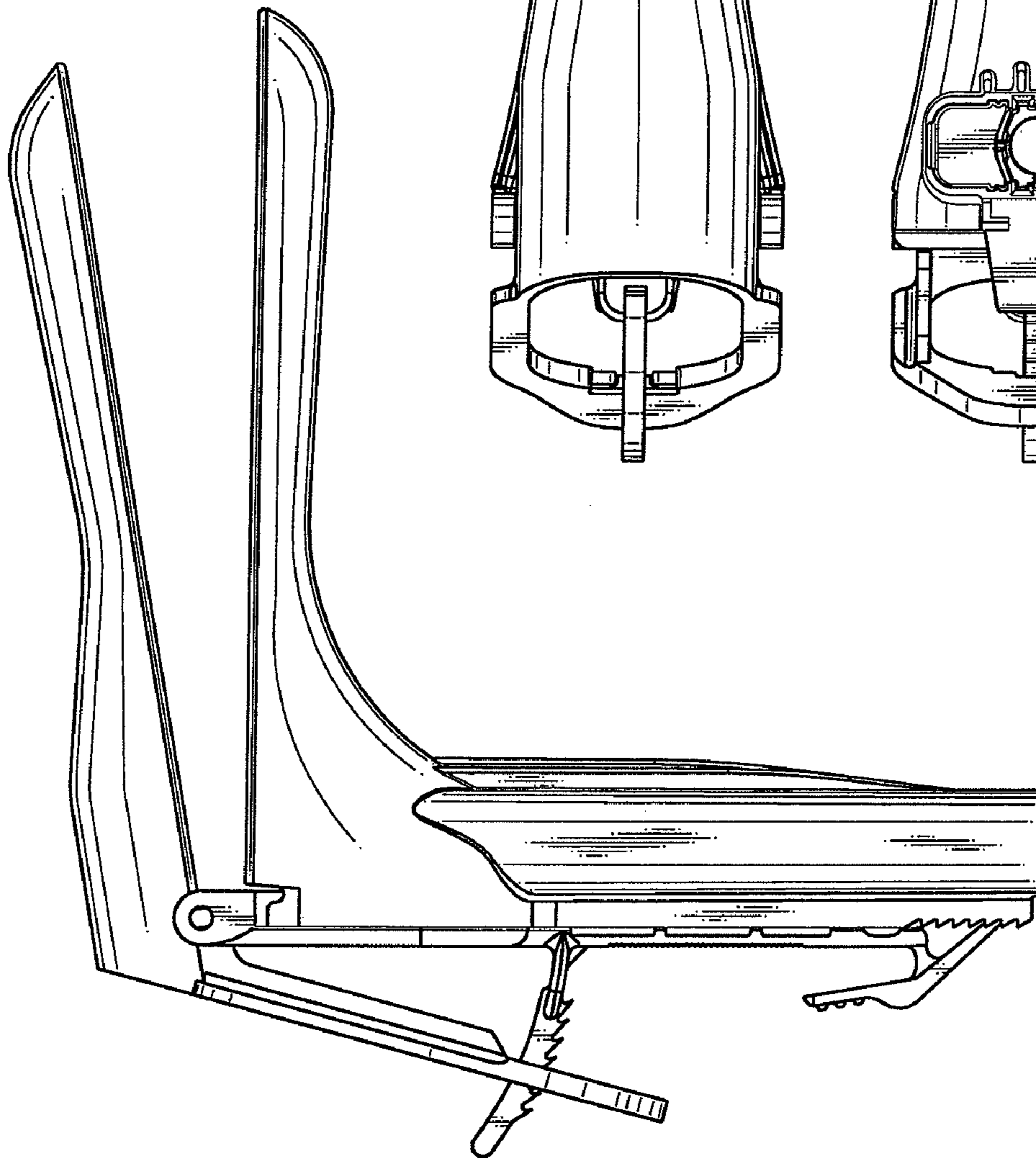
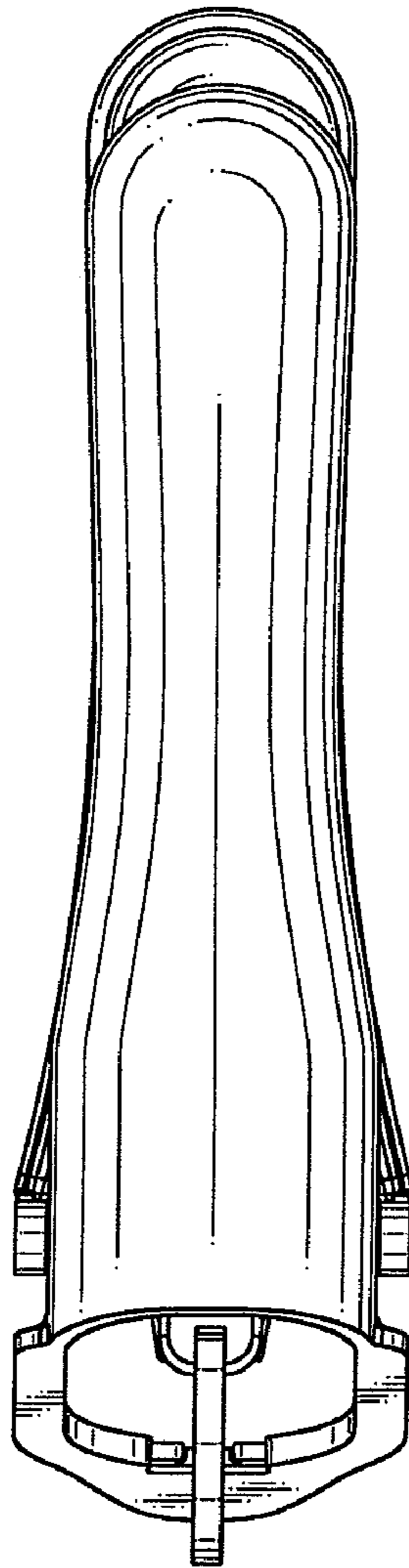


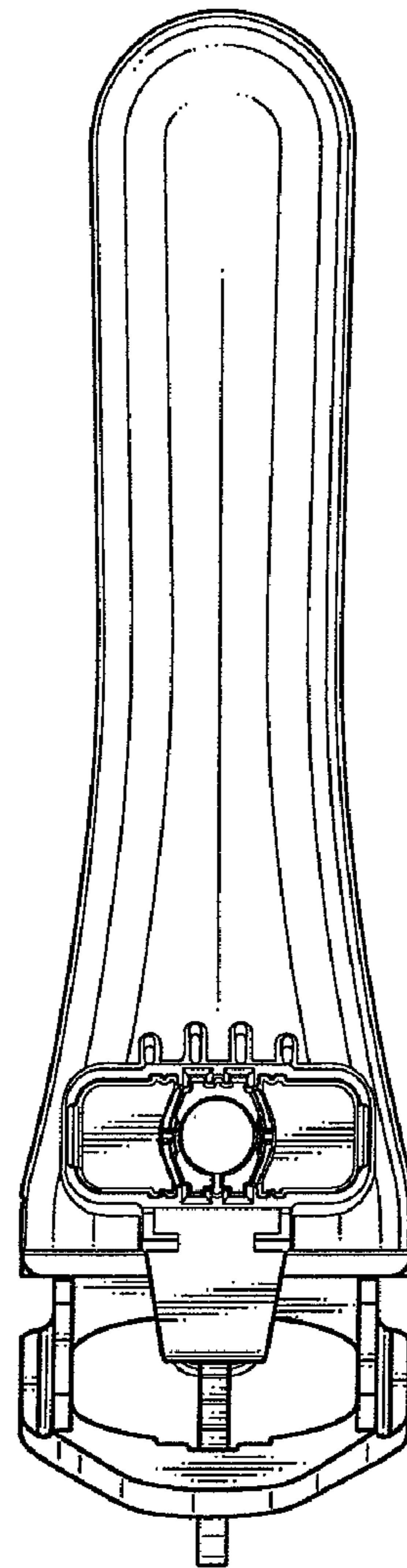
FIG. 4



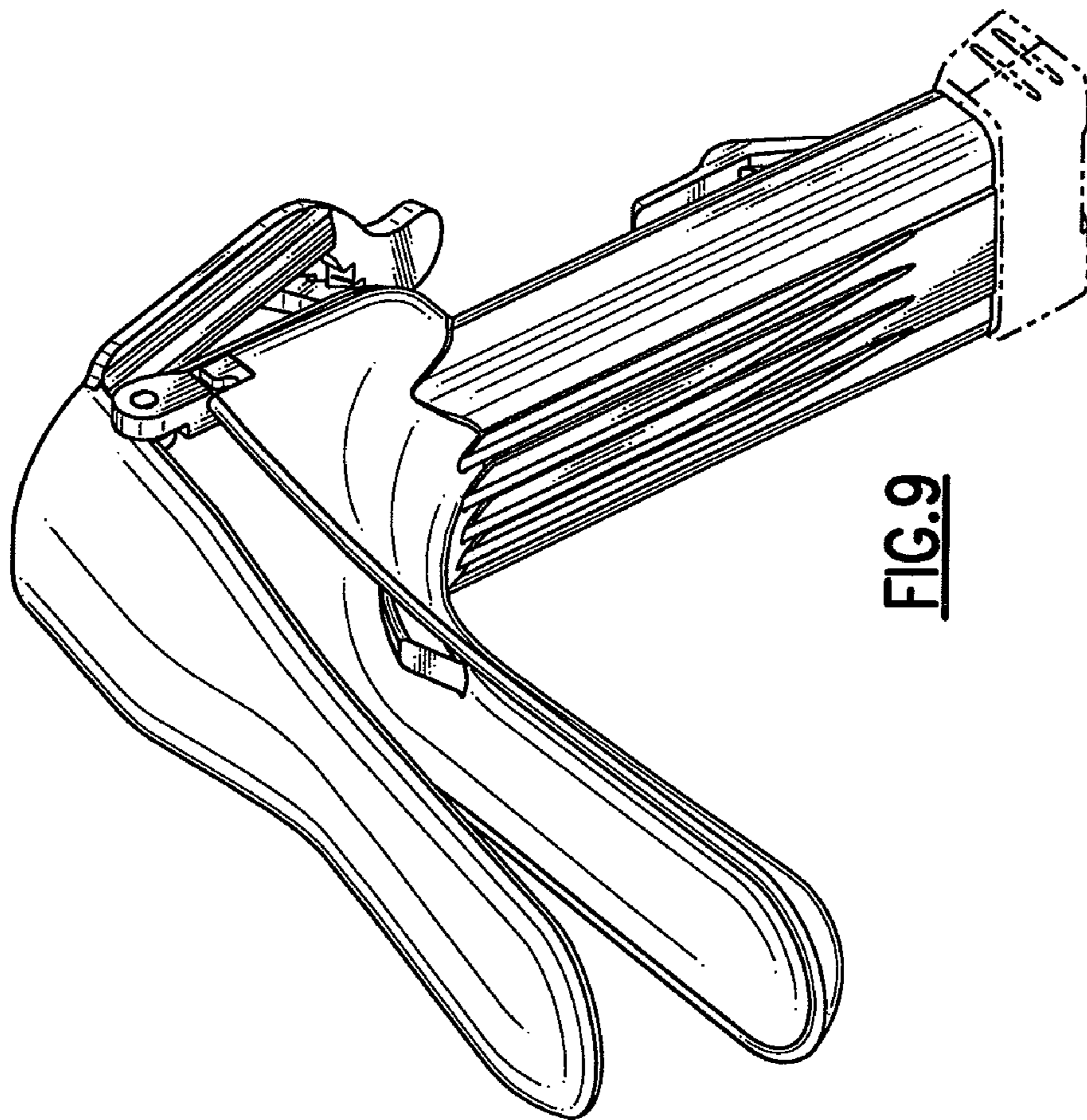
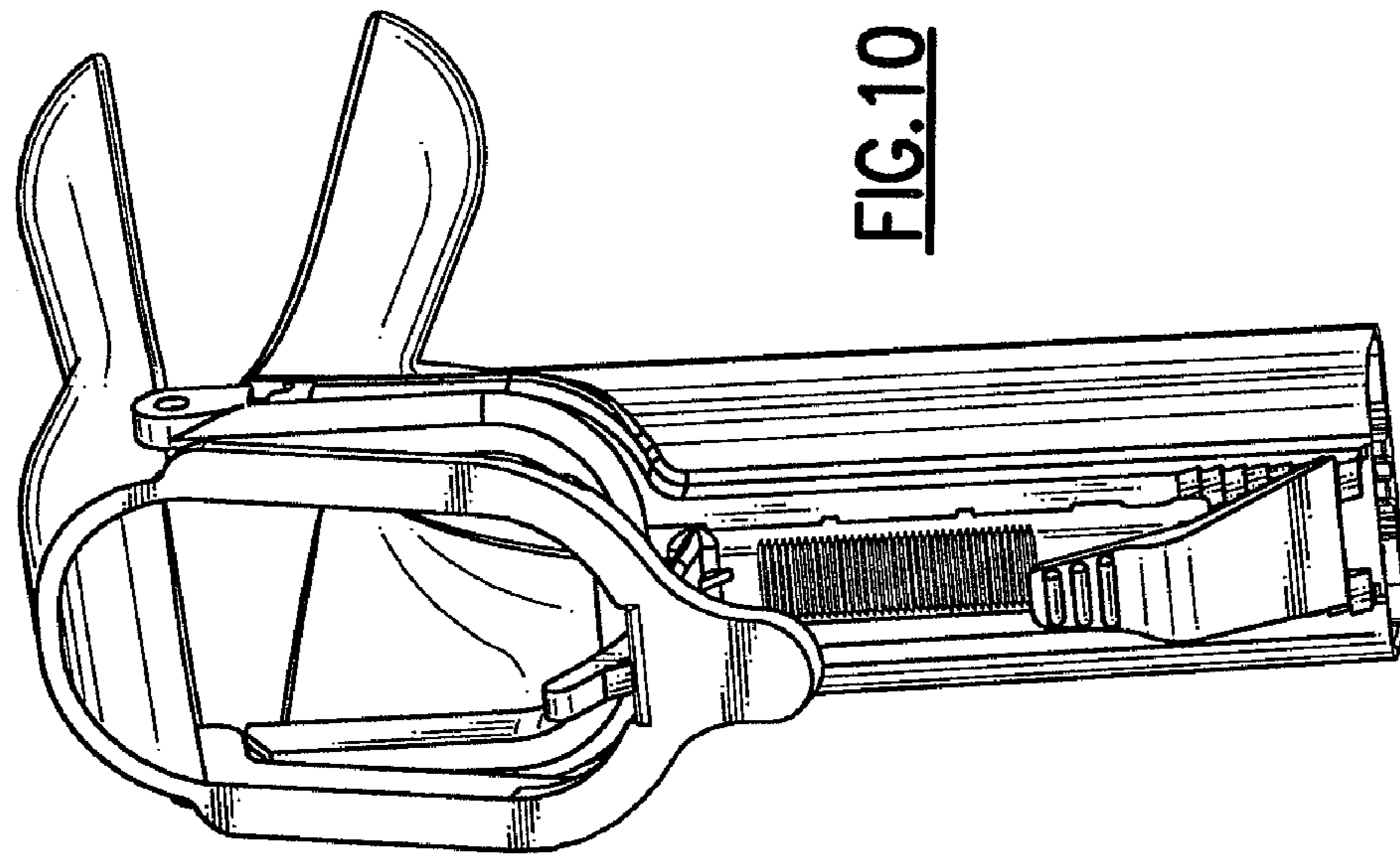
**FIG. 6**



**FIG. 7**



**FIG. 8**



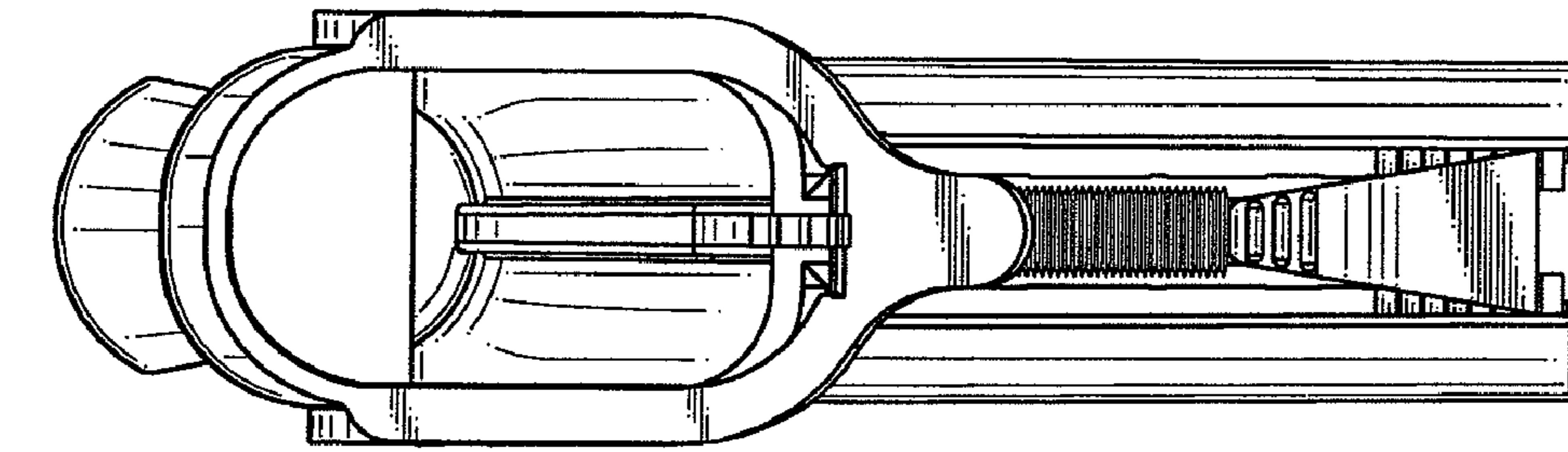


FIG. 11

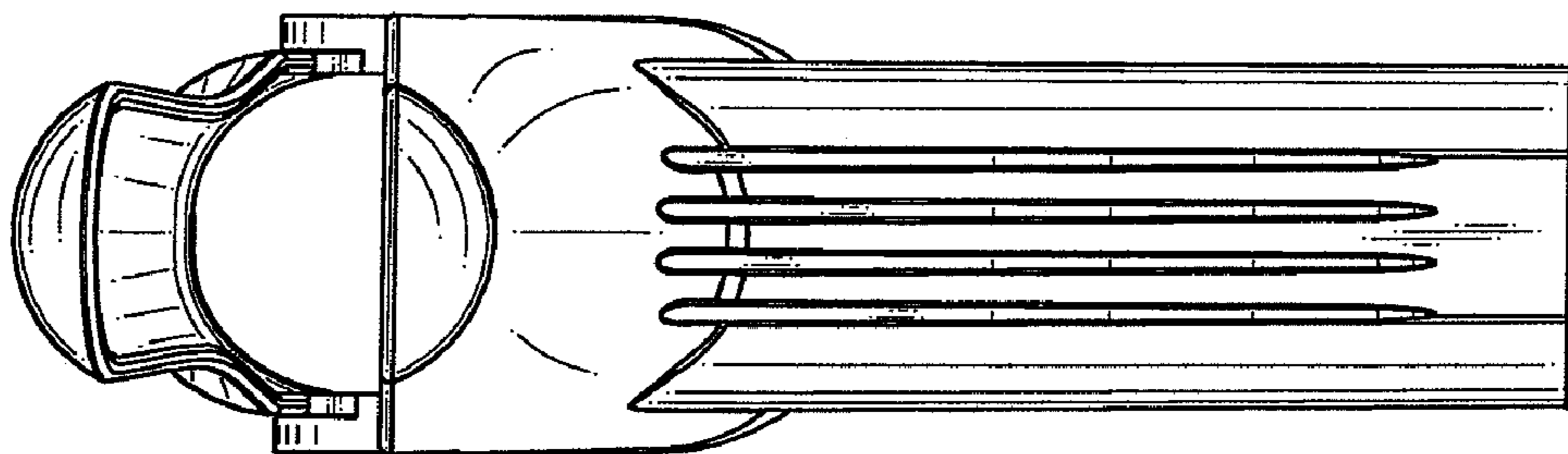


FIG. 12

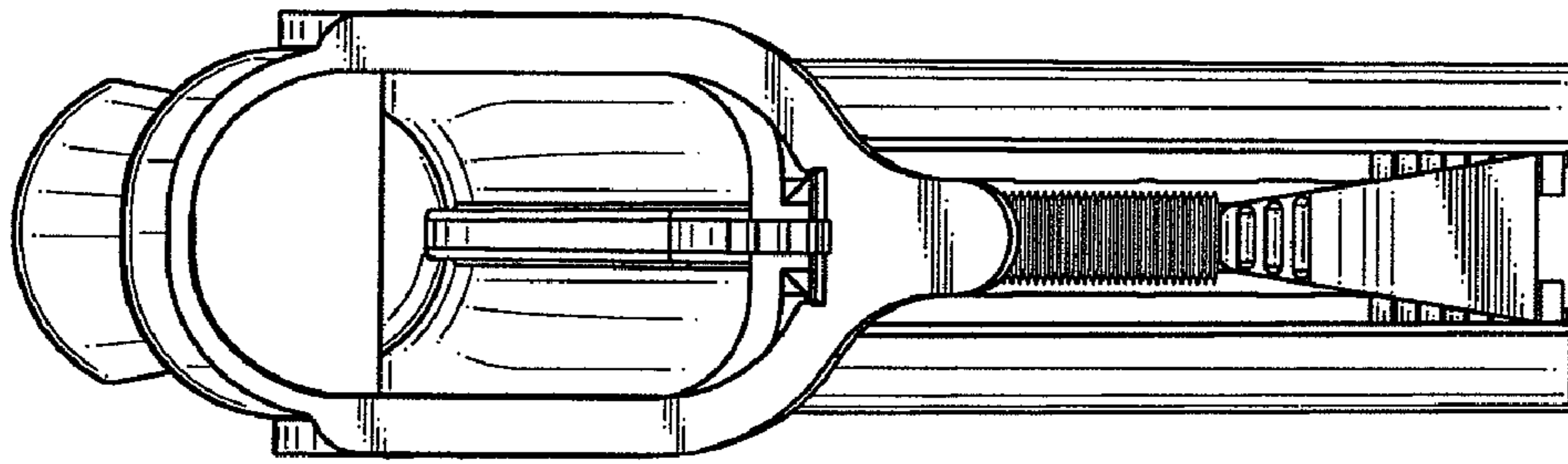


FIG. 13

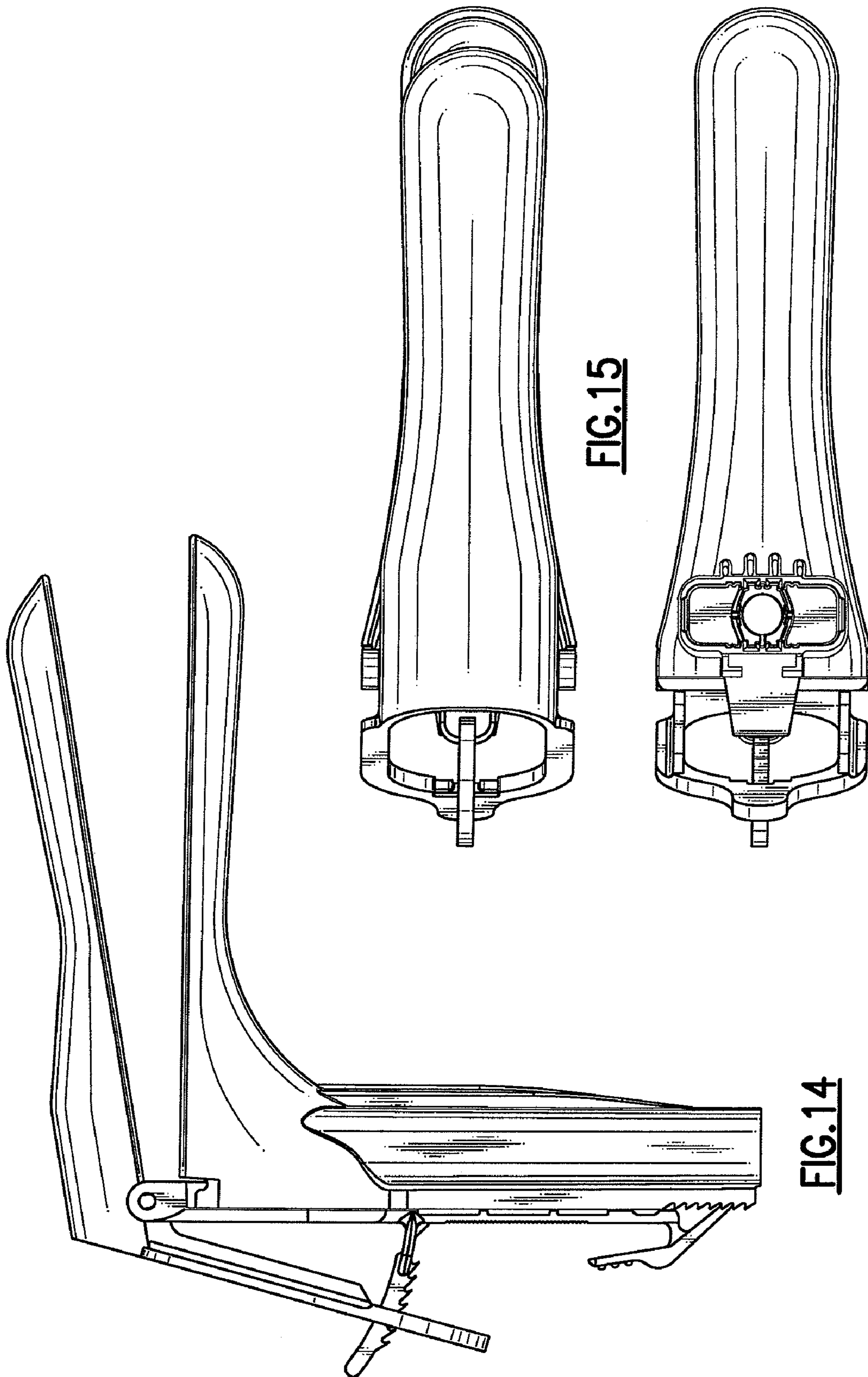


FIG. 15

FIG. 16

FIG. 14