



US00D558339S

(12) **United States Design Patent**
Christopher et al.

(10) **Patent No.:** **US D558,339 S**
(45) **Date of Patent:** **** Dec. 25, 2007**

(54) **COMBINED TRACHEAL CATHETER AND CONNECTOR**

(75) Inventors: **Kent L. Christopher**, Denver, CO (US); **Stephanie S. Diehl**, Littleton, CO (US)

(73) Assignee: **CS Medical, Inc.**, Boulder, CO (US)

(**) Term: **14 Years**

(21) Appl. No.: **29/265,778**

(22) Filed: **Sep. 9, 2006**

(51) **LOC (8) Cl.** **24-02**

(52) **U.S. Cl.** **D24/130; D24/112**

(58) **Field of Classification Search** D24/112, D24/130, 146; 604/179–180, 177, 164.01, 604/174, 167.02, 192, 198, 158, 166.01, 604/164.02, 164.04, 164.07; 128/207.14–207.17
See application file for complete search history.

(56) **References Cited**

U.S. PATENT DOCUMENTS

4,495,948	A *	1/1985	Shapiro	128/207.15
4,691,702	A *	9/1987	Chantzis	128/207.16
4,815,459	A *	3/1989	Beran	128/207.14
4,976,688	A *	12/1990	Rosenblum	604/95.04
5,186,168	A *	2/1993	Spofford et al.	128/207.29
5,230,332	A *	7/1993	Strickland	128/207.14
5,355,876	A *	10/1994	Brodsky et al.	128/202.27
5,575,794	A *	11/1996	Walus et al.	606/116

6,484,724	B1 *	11/2002	Sloan	128/207.17
2003/0121521	A1 *	7/2003	Hipolito et al.	128/207.14
2004/0007236	A1 *	1/2004	McGee	128/207.14
2005/0228346	A1 *	10/2005	Goode et al.	604/164.07
2006/0217681	A1 *	9/2006	Hart et al.	604/506

* cited by examiner

Primary Examiner—Ian Simmons

Assistant Examiner—Eric L Goodman

(74) *Attorney, Agent, or Firm*—Dorr, Carson & Birney, P.C.

(57) **CLAIM**

The ornamental design for a combined tracheal catheter and connector, as shown and described.

DESCRIPTION

FIG. 1 is an exploded perspective view of a tracheal catheter and connector showing our new design, with the connector strap shown broken in the middle to disclose indeterminate length.

FIG. 2 is a right side elevational view thereof, with the left side elevational view being a mirror image of FIG. 2.

FIG. 3 is a top plan view thereof.

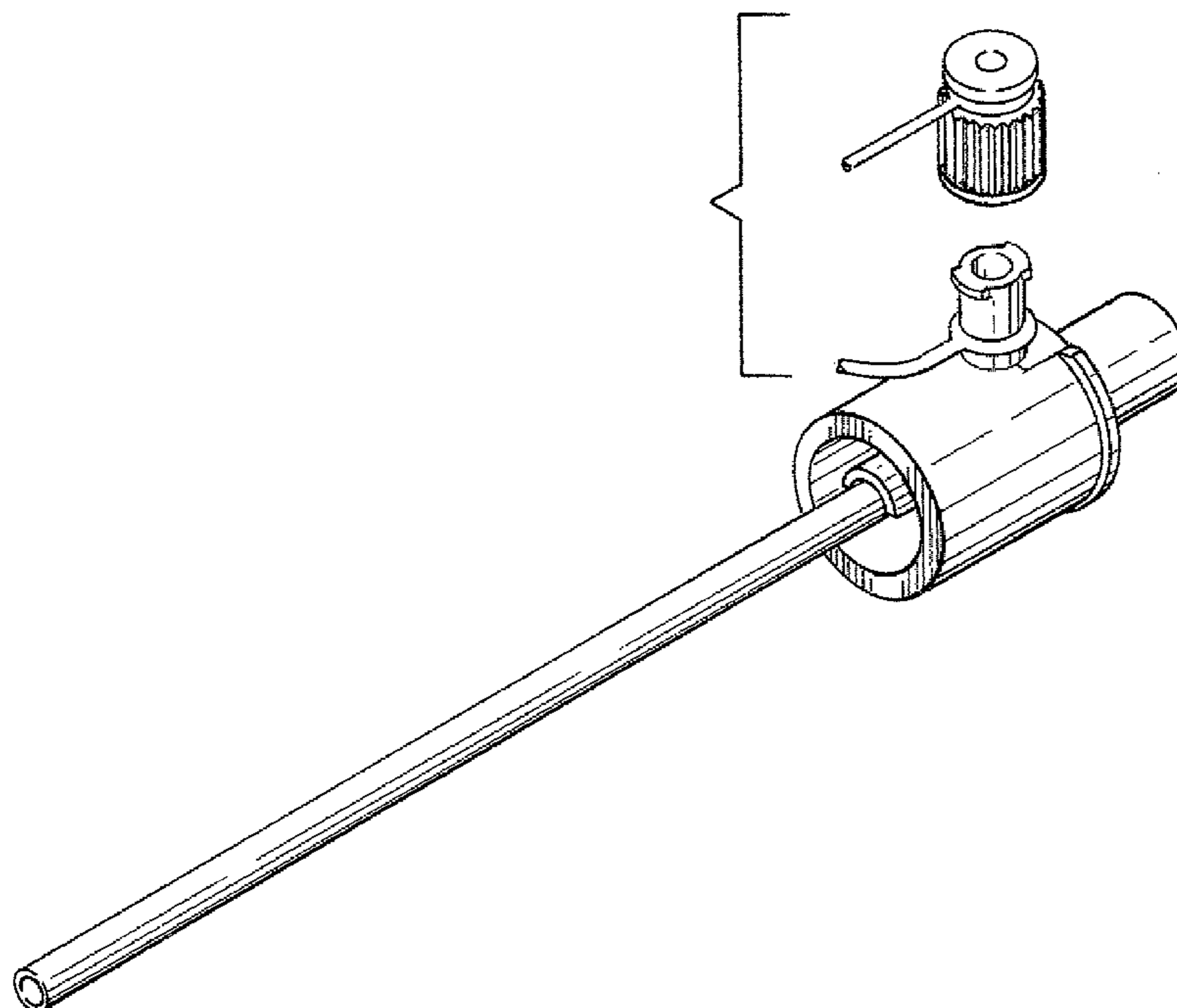
FIG. 4 is a bottom plan view thereof.

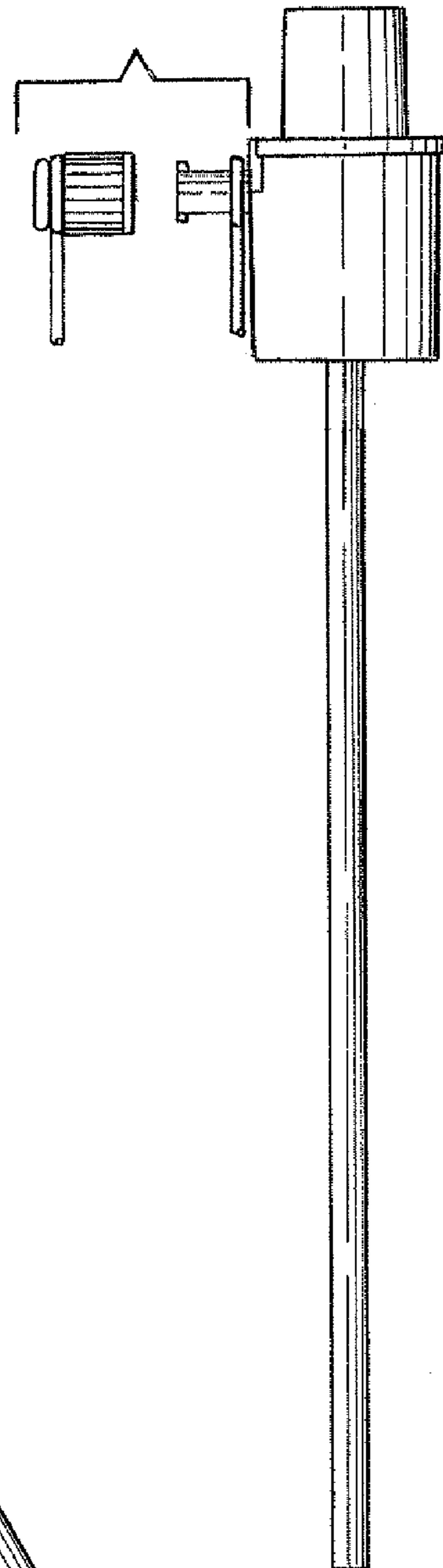
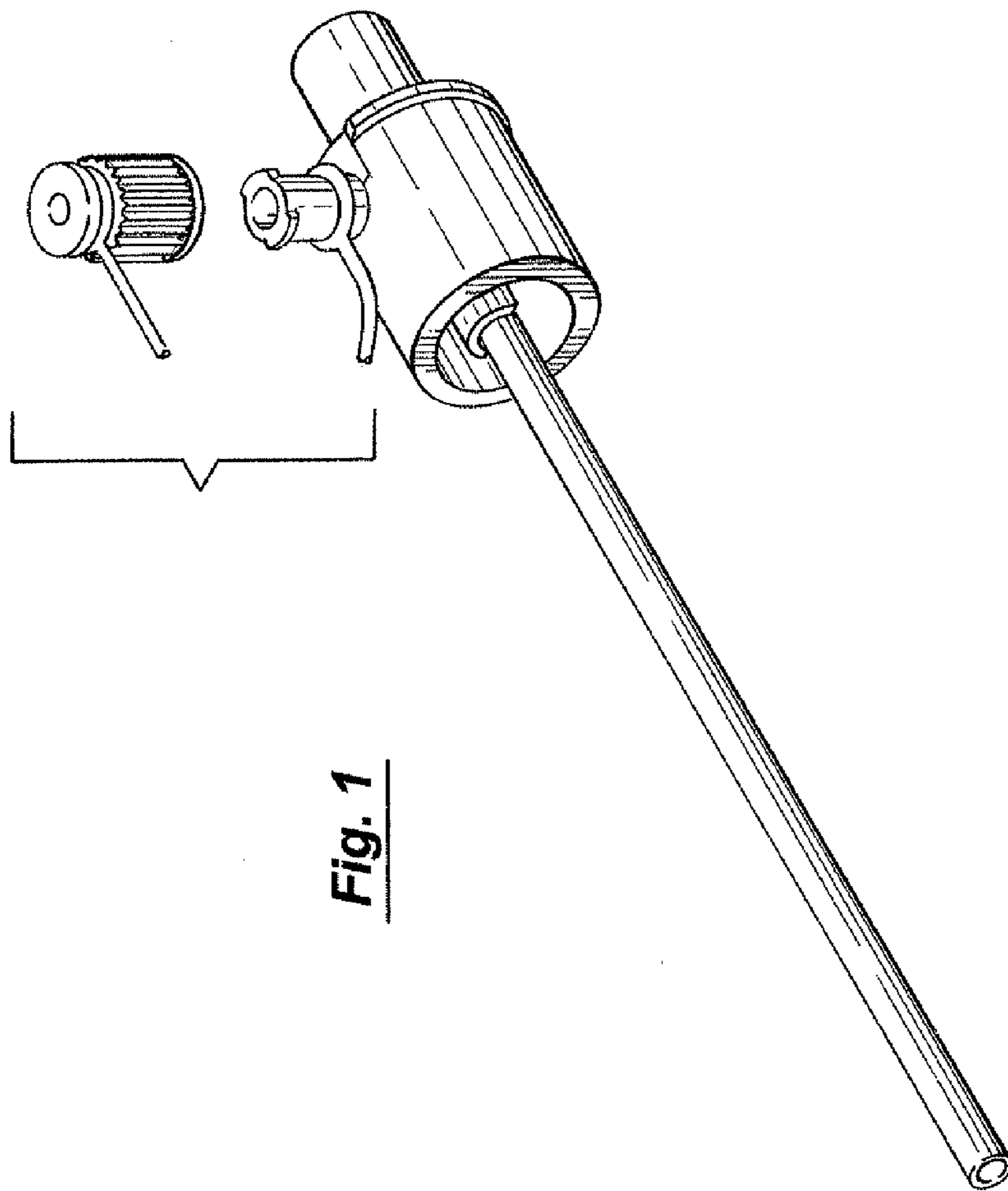
FIG. 5 is a rear elevational view thereof.

FIG. 6 is a cross-sectional view thereof, taken along line 6—6 of FIG. 5; and,

FIG. 7 is a front elevational view thereof.

1 Claim, 3 Drawing Sheets





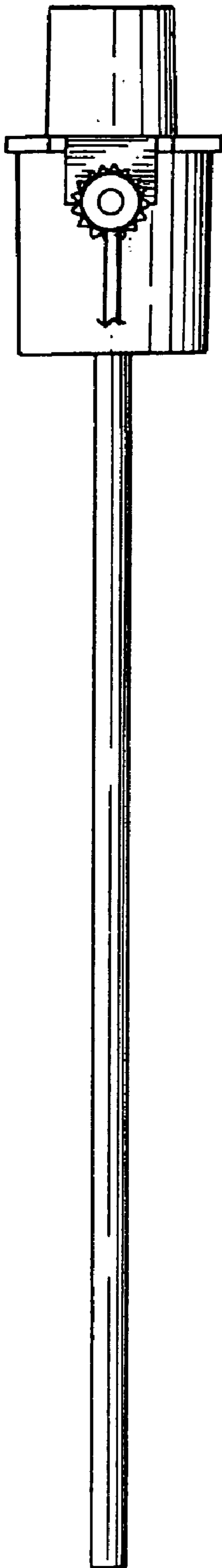


Fig. 3

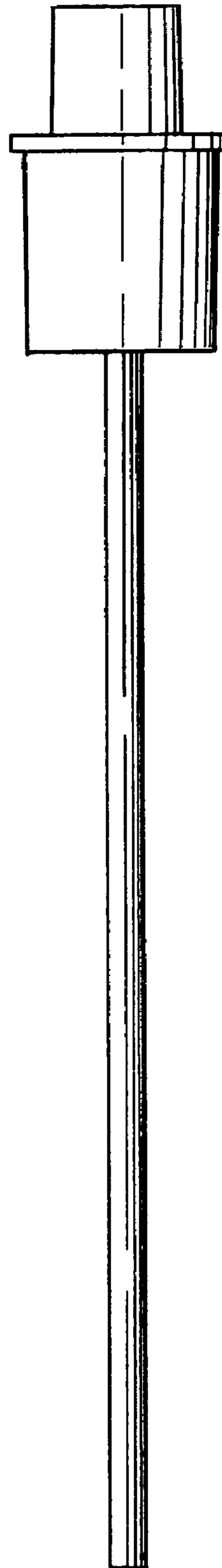


Fig. 4

