



US00D558337S

(12) **United States Design Patent**  
**Jones et al.**

(10) **Patent No.:** **US D558,337 S**

(45) **Date of Patent:** **\*\* Dec. 25, 2007**

(54) **ANCHOR FOR HOLDING AN  
IMPLANTABLE MEDICAL LEAD OR  
CATHETER**

D333,182 S \* 2/1993 Yoshikawa ..... D24/133  
D465,843 S \* 11/2002 Guala ..... D24/129  
6,500,154 B1 \* 12/2002 Hakky et al. .... 604/174

(75) Inventors: **Timothy S. Jones**, Carrollton, TX (US);  
**Peter B. Hegi**, Dallas, TX (US)

\* cited by examiner

*Primary Examiner*—Antoine D. Davis

*Assistant Examiner*—Christopher Lee

(73) Assignee: **Advanced Neuromodulation Systems,  
Inc.**, Plano, TX (US)

(74) *Attorney, Agent, or Firm*—Christopher S. L. Crawford;  
Peter Lando

(\*\*) Term: **14 Years**

(57) **CLAIM**

(21) Appl. No.: **29/246,304**

The ornamental design for an anchor for holding an implantable medical lead or catheter, as shown and described.

(22) Filed: **Mar. 30, 2006**

**DESCRIPTION**

(51) **LOC (8) Cl.** ..... **24-02**

(52) **U.S. Cl.** ..... **D24/128; D24/129; D24/143**

(58) **Field of Classification Search** ..... D24/127,  
D24/128, 129, 133, 143; 128/207.14; 604/180,  
604/179, 174, 159, 158; 606/157, 159  
See application file for complete search history.

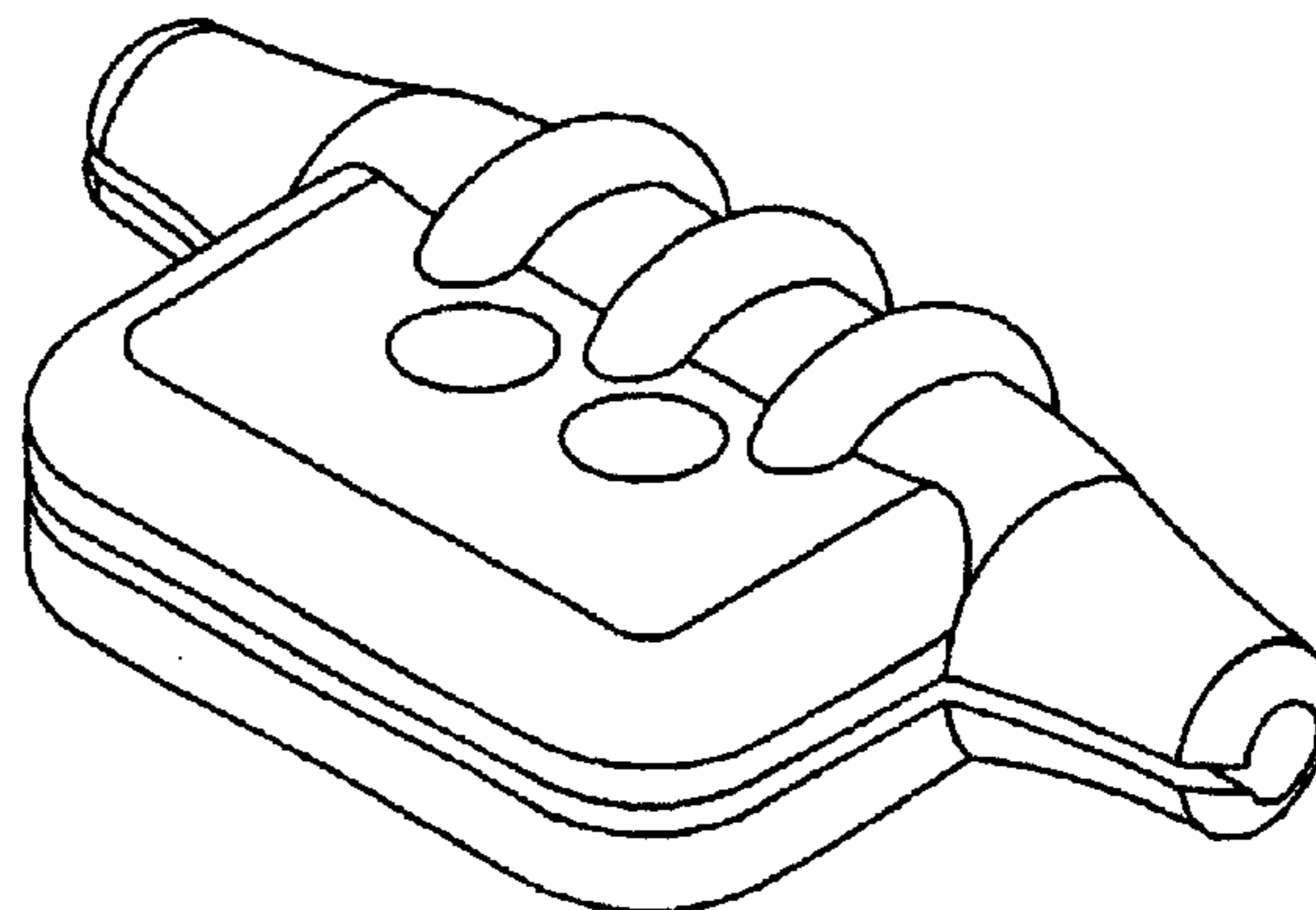
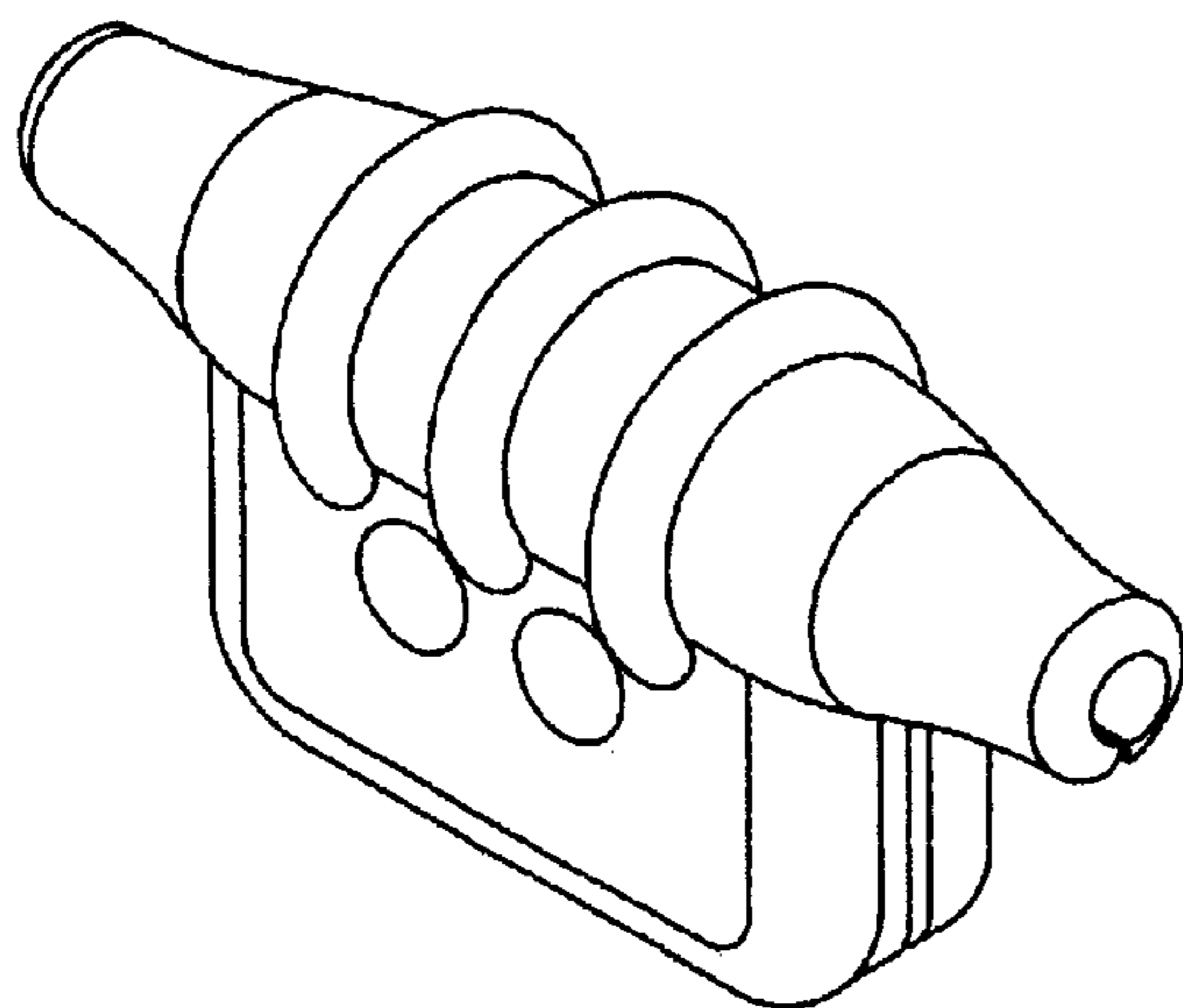
FIG. 1 is a top plan view drawing of the anchor for holding an implantable medical lead or catheter of our new design, the opposite side being a mirror image;  
FIG. 2 is a top rear isometric view of FIG. 1;  
FIG. 3 is a top front isometric view thereof;  
FIG. 4 is an end view thereof, the opposite side being a mirror image;  
FIG. 5 is a rear side view thereof; and,  
FIG. 6 is a front side view.

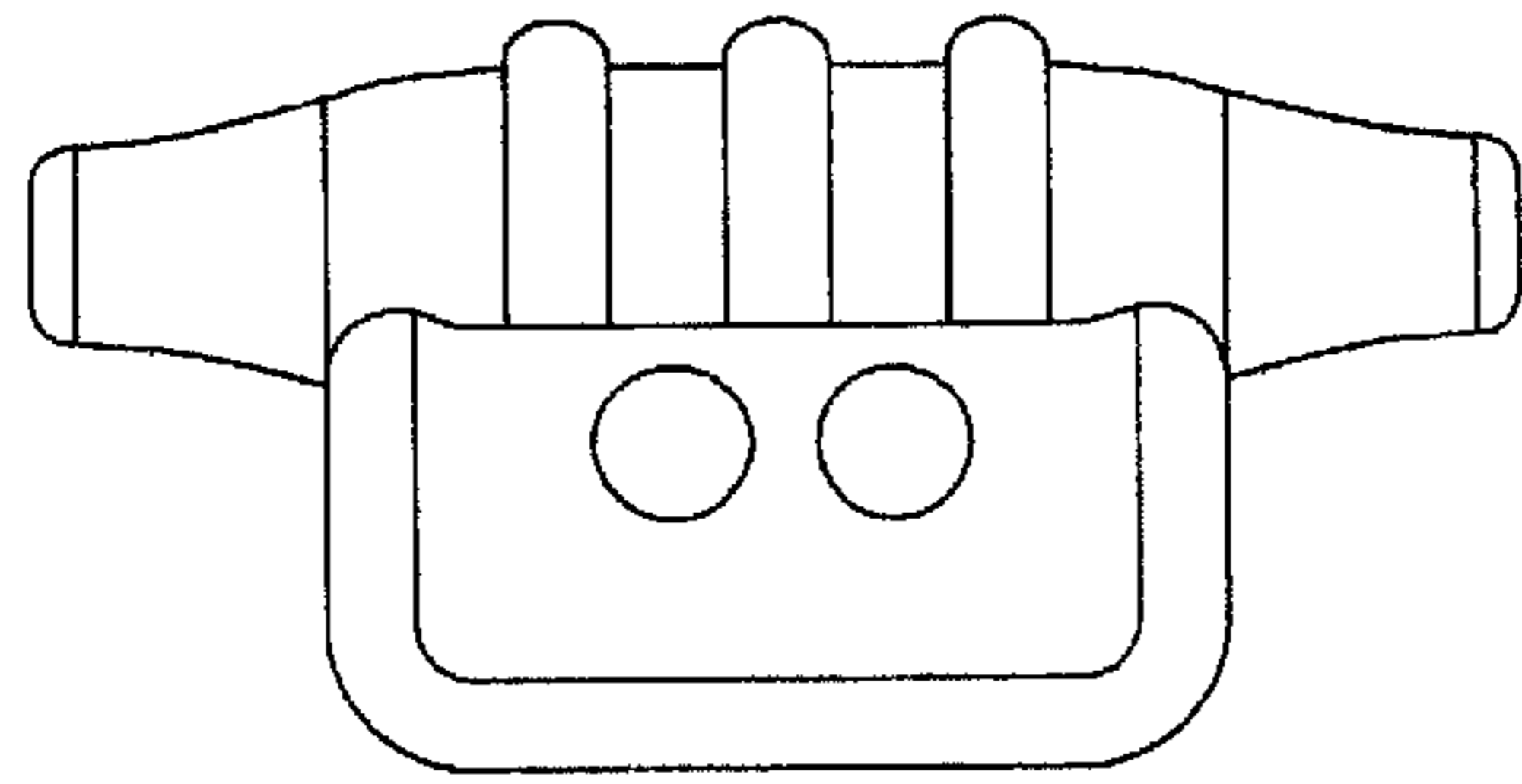
(56) **References Cited**

**U.S. PATENT DOCUMENTS**

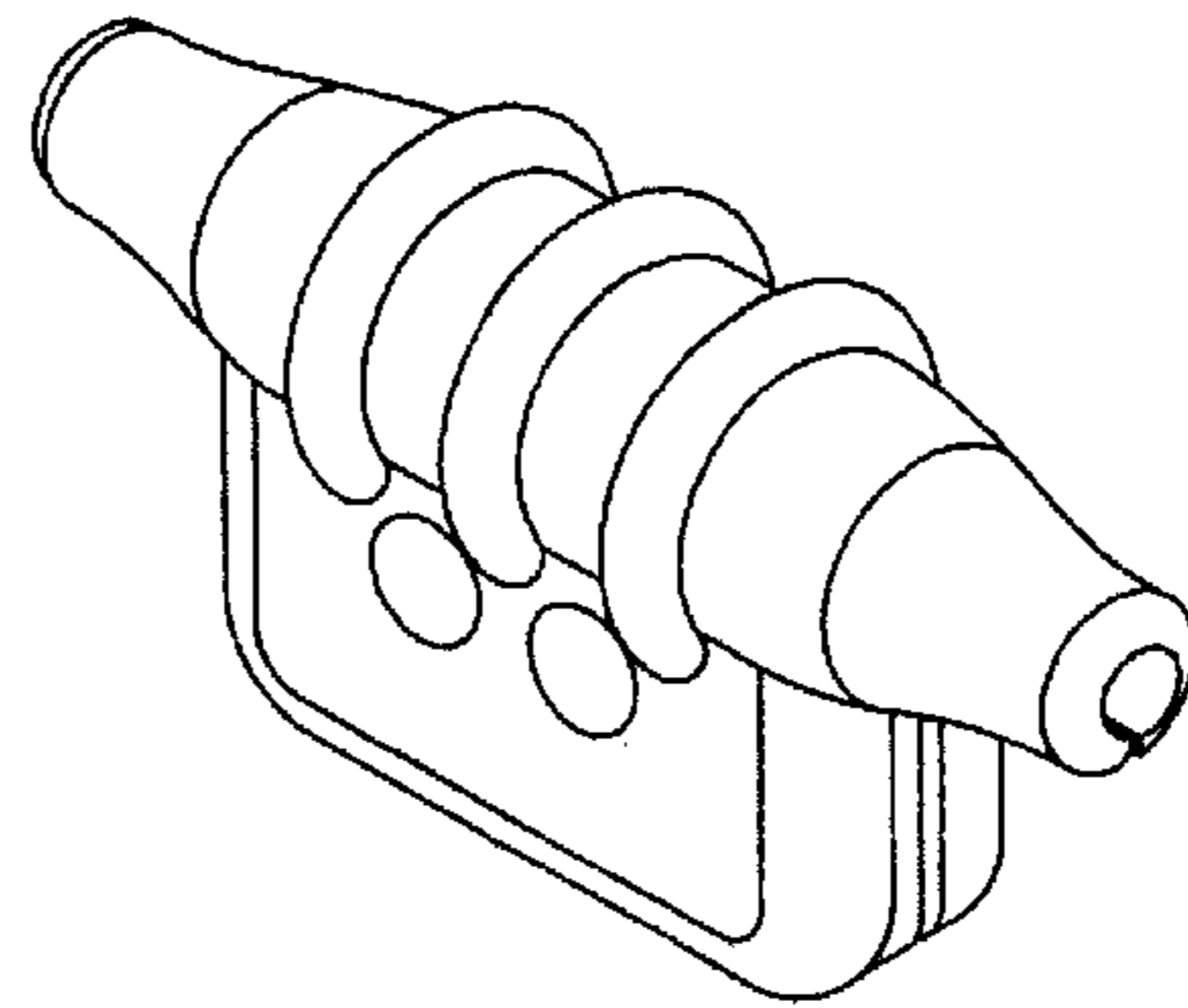
D280,763 S \* 9/1985 Kulle ..... D24/143  
D329,698 S \* 9/1992 Loney et al. .... D24/143

**1 Claim, 1 Drawing Sheet**

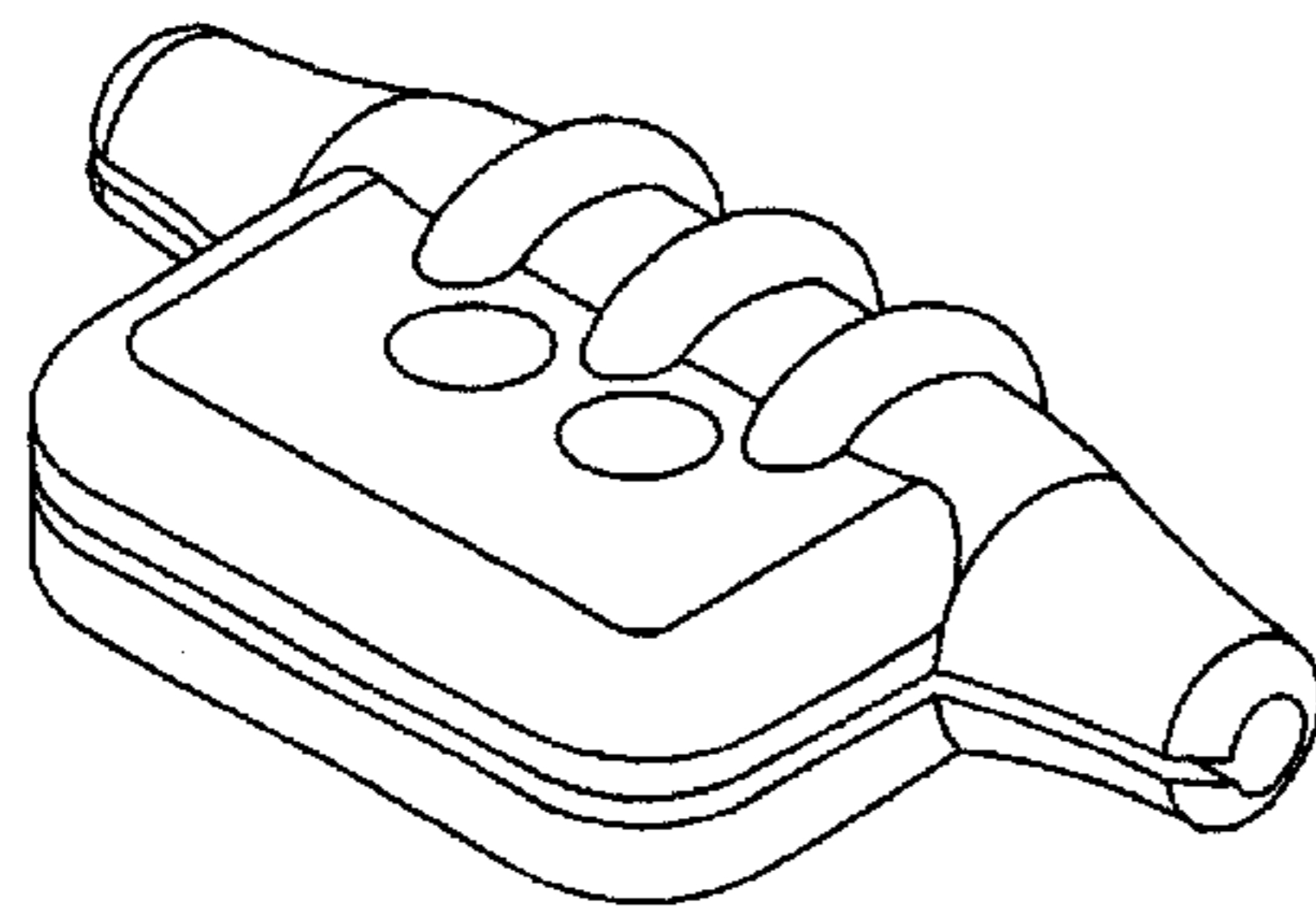




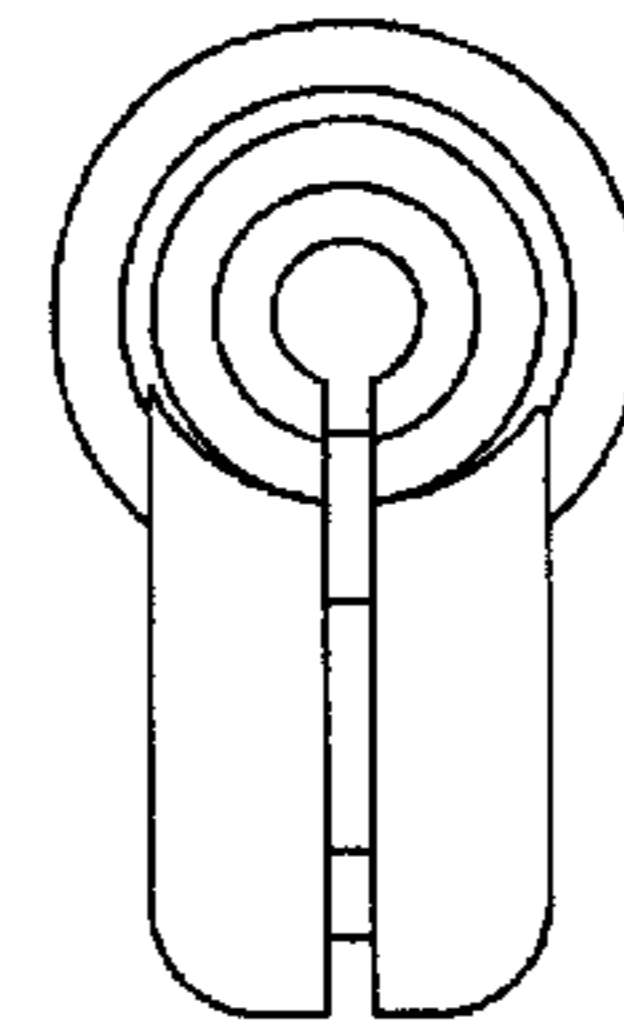
**FIG. 1**



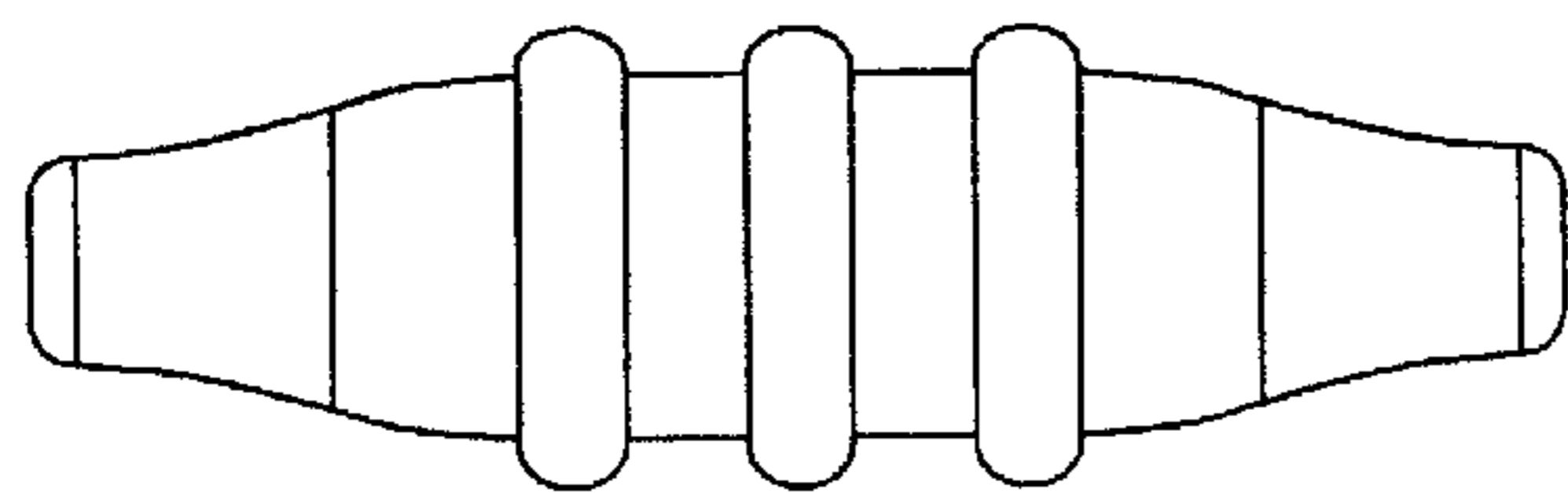
**FIG. 2**



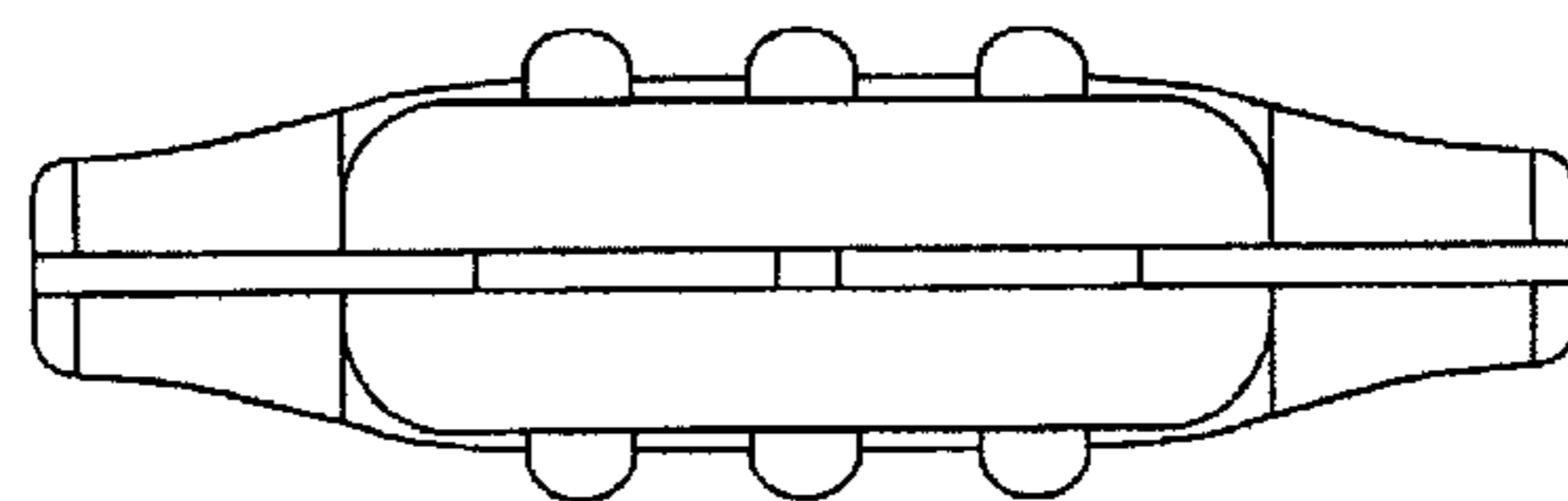
**FIG. 3**



**FIG. 4**



**FIG. 5**



**FIG. 6**