



US00D558332S

(12) **United States Design Patent** (10) **Patent No.:** **US D558,332 S**  
**Ng et al.** (45) **Date of Patent:** **\*\* Dec. 25, 2007**

(54) **FOREHEAD SUPPORT FOR A RESPIRATORY MASK**

(75) Inventors: **Eva Ng**, Double Bay (AU); **Vincent Chu**, Little Bay (AU); **Scott Alexander Howard**, Harbord (AU)

(73) Assignee: **ResMed Limited**, Bella Vista (AU)

(\*\*) Term: **14 Years**

(21) Appl. No.: **29/251,706**

(22) Filed: **Jan. 12, 2006**

(51) **LOC (8) Cl.** ..... **29-02**

(52) **U.S. Cl.** ..... **D24/110.1; D24/110.4; D24/110.5**

(58) **Field of Classification Search** ..... **D24/110.1, D24/110.4, 110.5; 128/205.25, 206.21, 206.26, 128/206.27, 207.11, 207.13, 207.17**  
See application file for complete search history.

(56) **References Cited**

**U.S. PATENT DOCUMENTS**

D443,355 S 6/2001 Gunaratnam  
D486,227 S \* 2/2004 Fu et al. .... D24/110.1  
D502,260 S 2/2005 Lang  
7,000,614 B2 \* 2/2006 Lang et al. .... 128/206.21  
D519,207 S \* 4/2006 Raje et al. .... D24/110.1

2004/0045551 A1 3/2004 Eaton  
2004/0118406 A1 \* 6/2004 Lithgow et al. .... 128/206.24  
2005/0022820 A1 2/2005 Kwok  
2005/0072428 A1 4/2005 Ho  
2005/0155603 A1 7/2005 Frerichs

**FOREIGN PATENT DOCUMENTS**

EP 1 205 205 A2 11/2001

\* cited by examiner

*Primary Examiner*—Antoine D. Davis

*Assistant Examiner*—Christopher Lee

(74) *Attorney, Agent, or Firm*—Nixon & Vanderhye P.C.

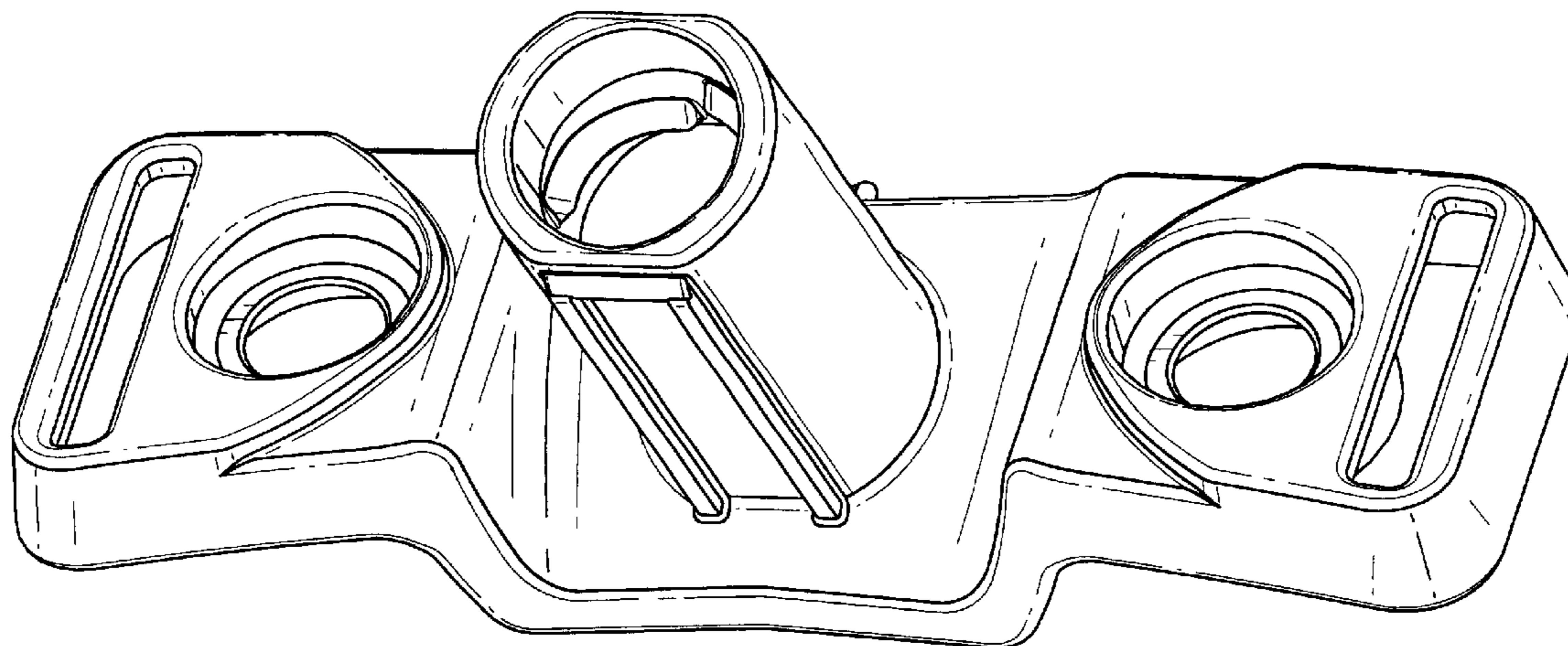
(57) **CLAIM**

The ornamental design for a forehead support for a respiratory mask, as shown and described.

**DESCRIPTION**

FIG. 1 is a front perspective view of a forehead support for a respiratory mask according to our design;  
FIG. 2 is a front view thereof;  
FIG. 3 is a rear view thereof;  
FIG. 4 is a left side view thereof;  
FIG. 5 is a right side view thereof;  
FIG. 6 is a top view thereof;  
FIG. 7 is a bottom view thereof; and,  
FIG. 8 is a rear perspective view thereof.

**1 Claim, 4 Drawing Sheets**



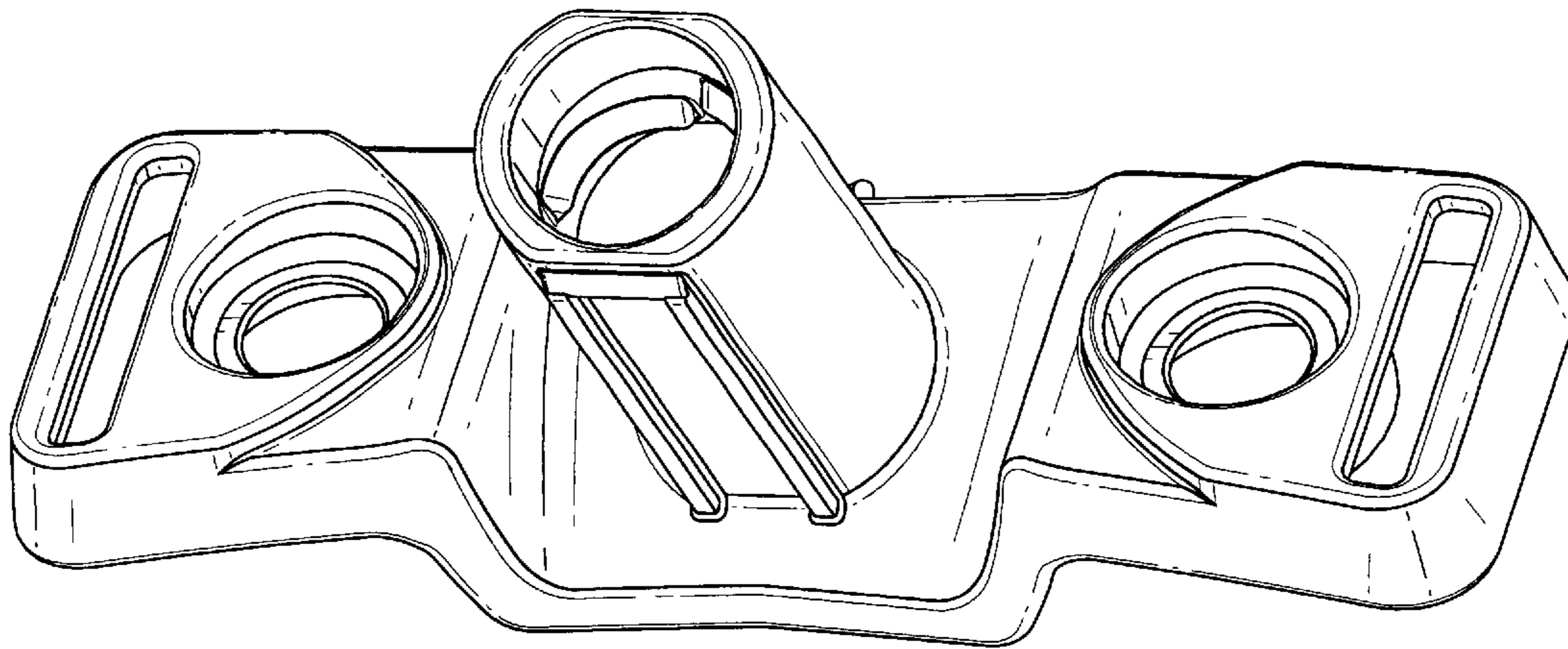


Fig. 1

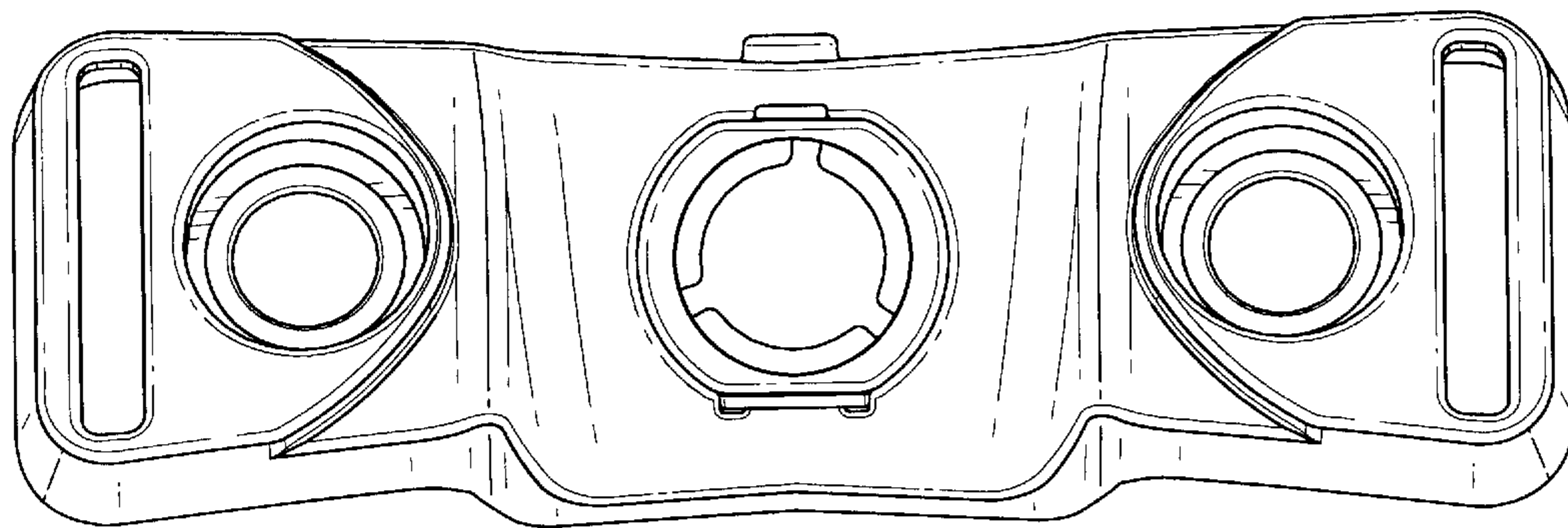


Fig. 2

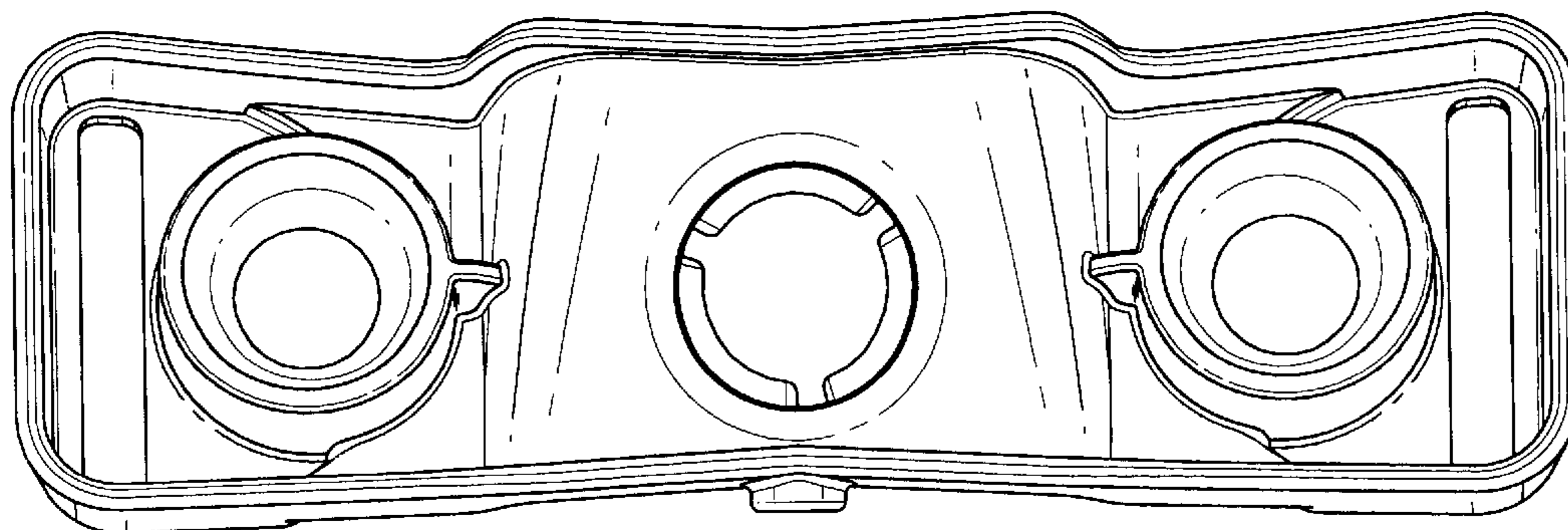


Fig. 3

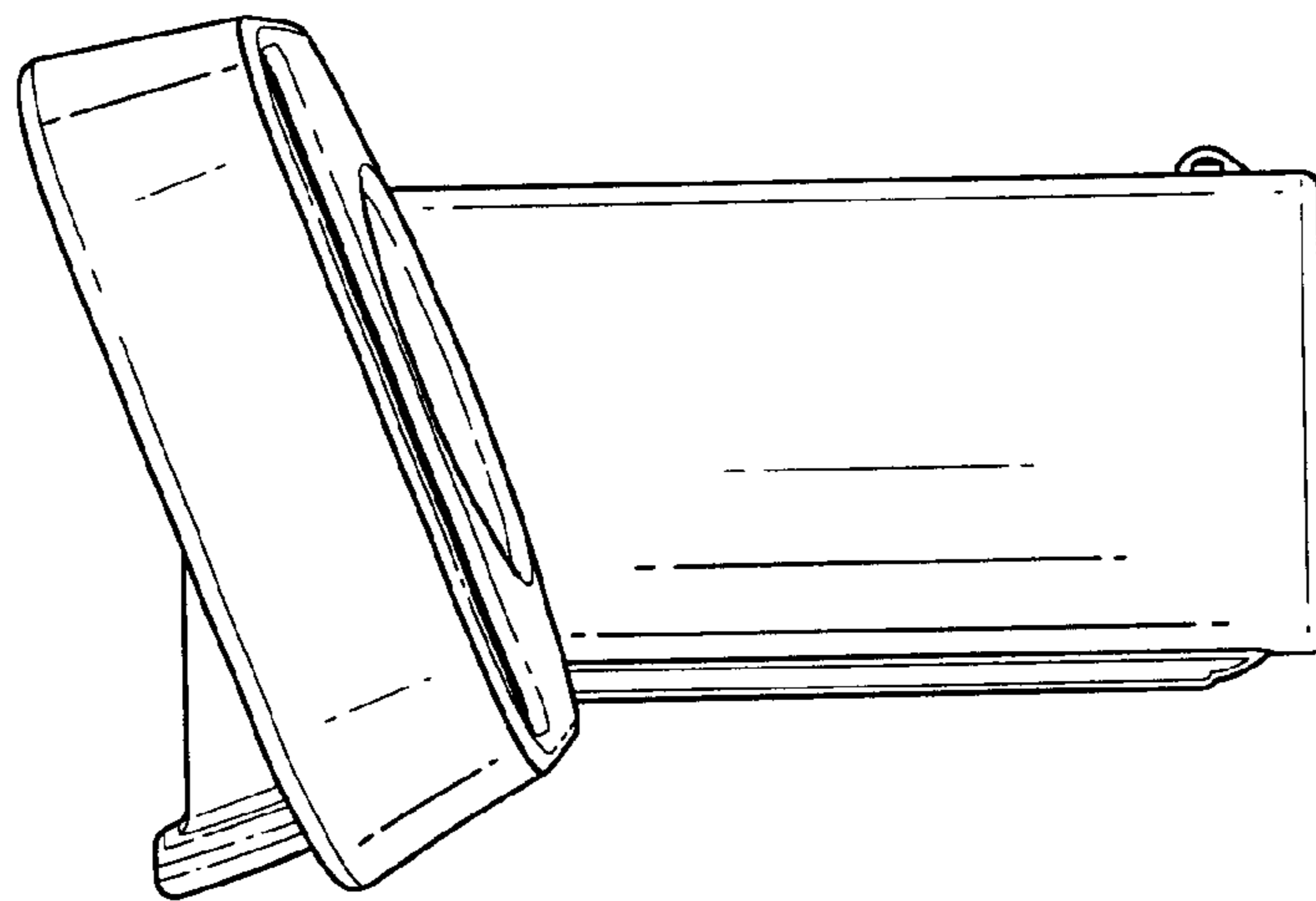


Fig. 4

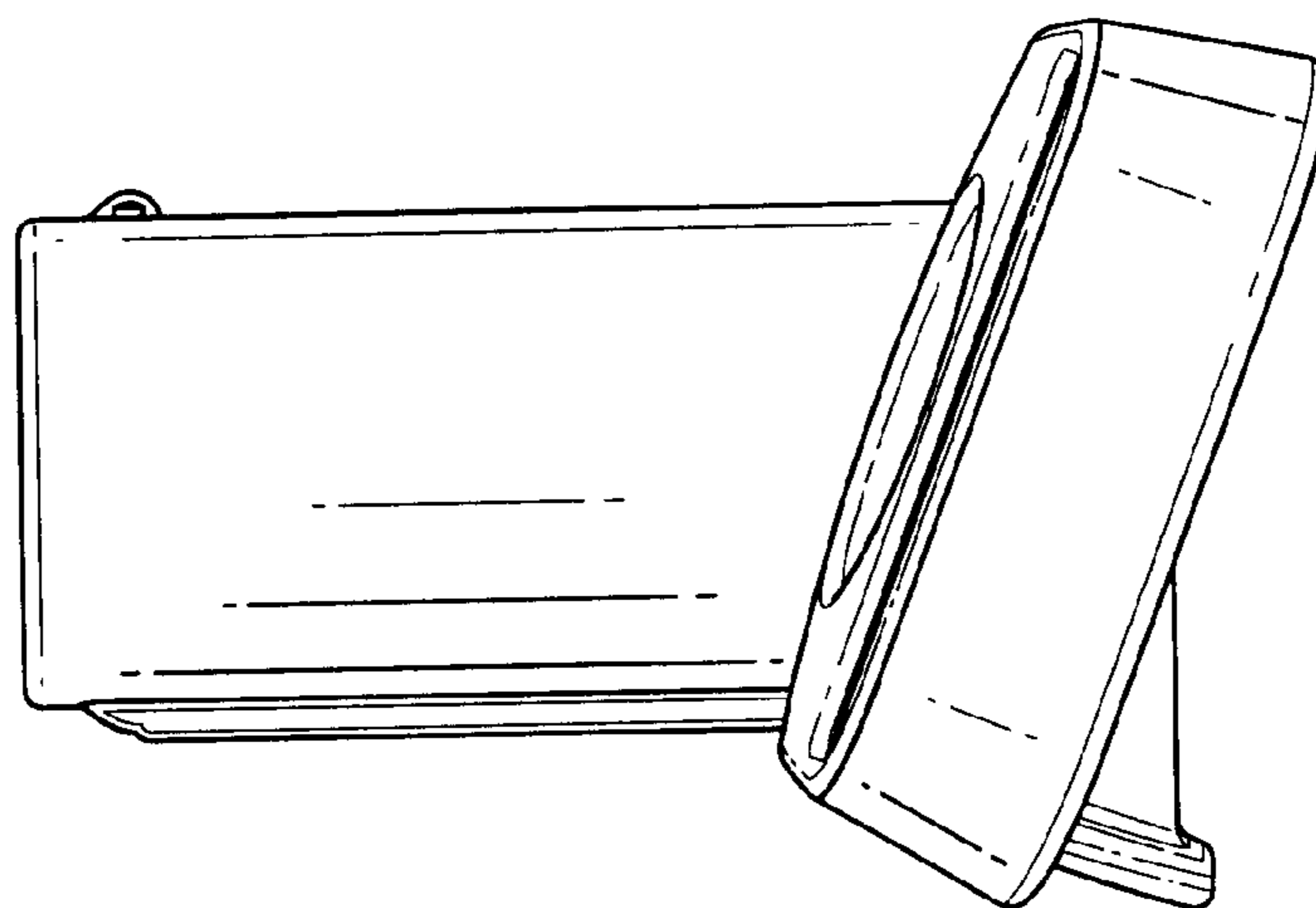


Fig. 5

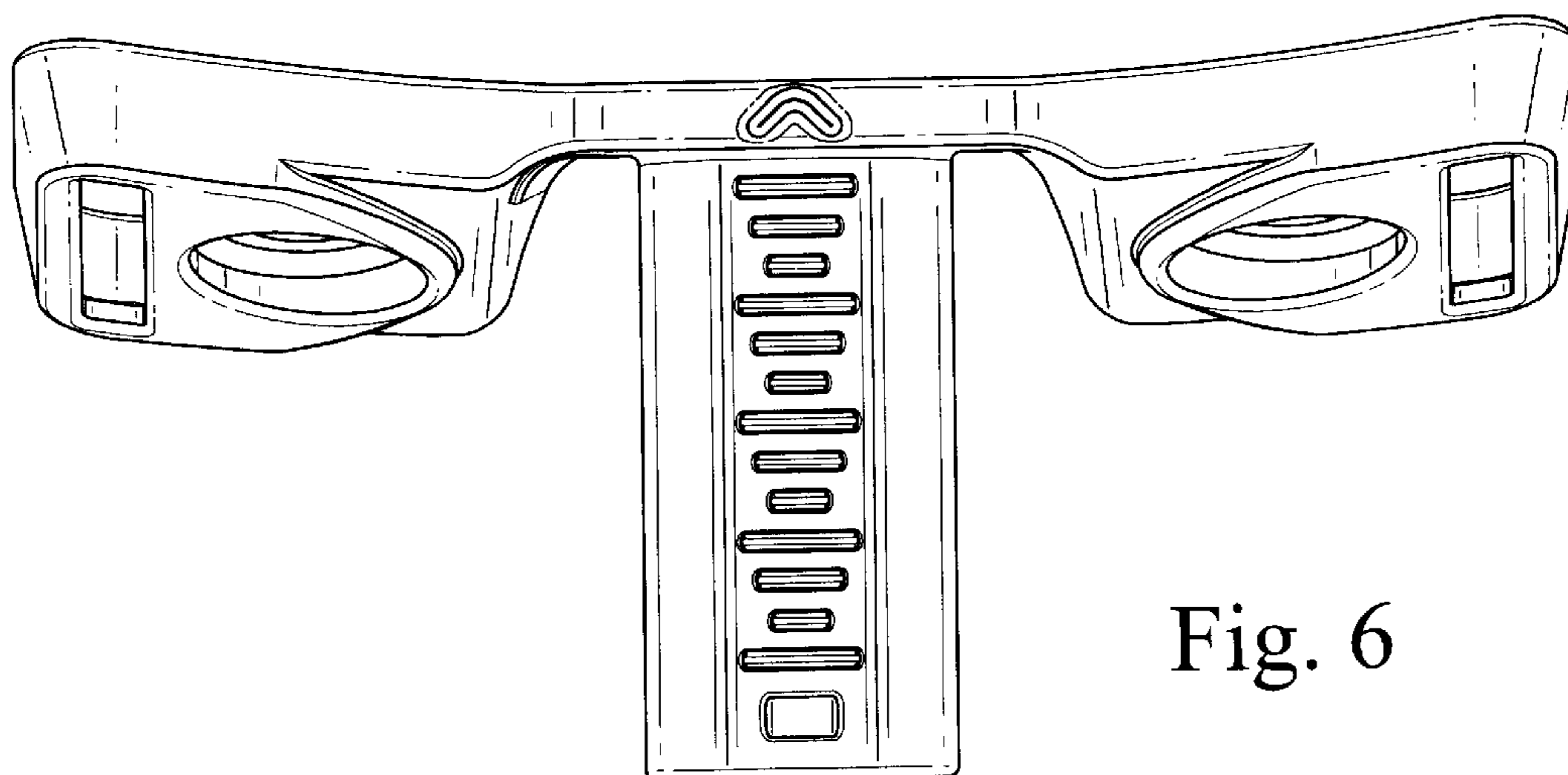


Fig. 6

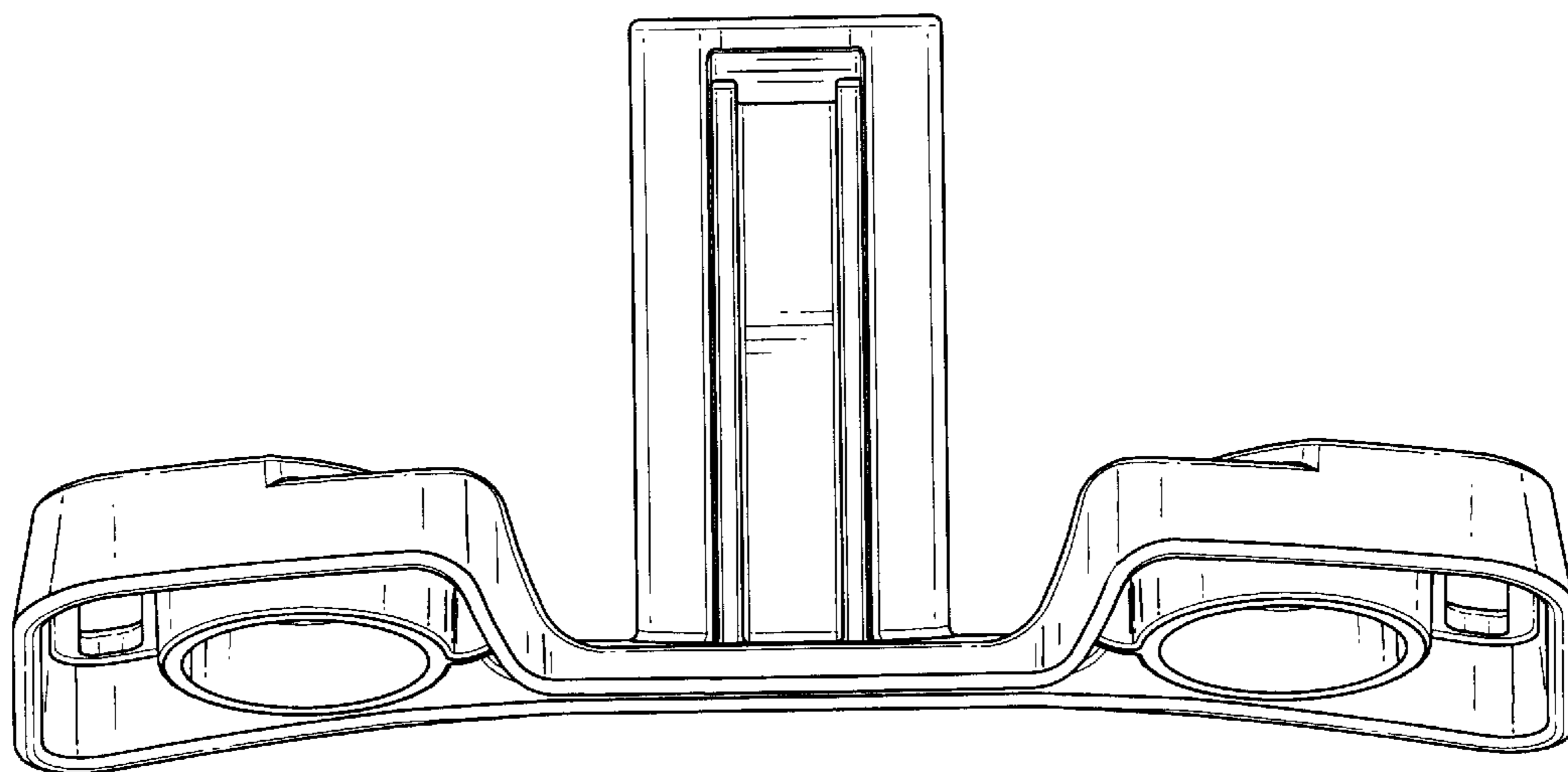


Fig. 7

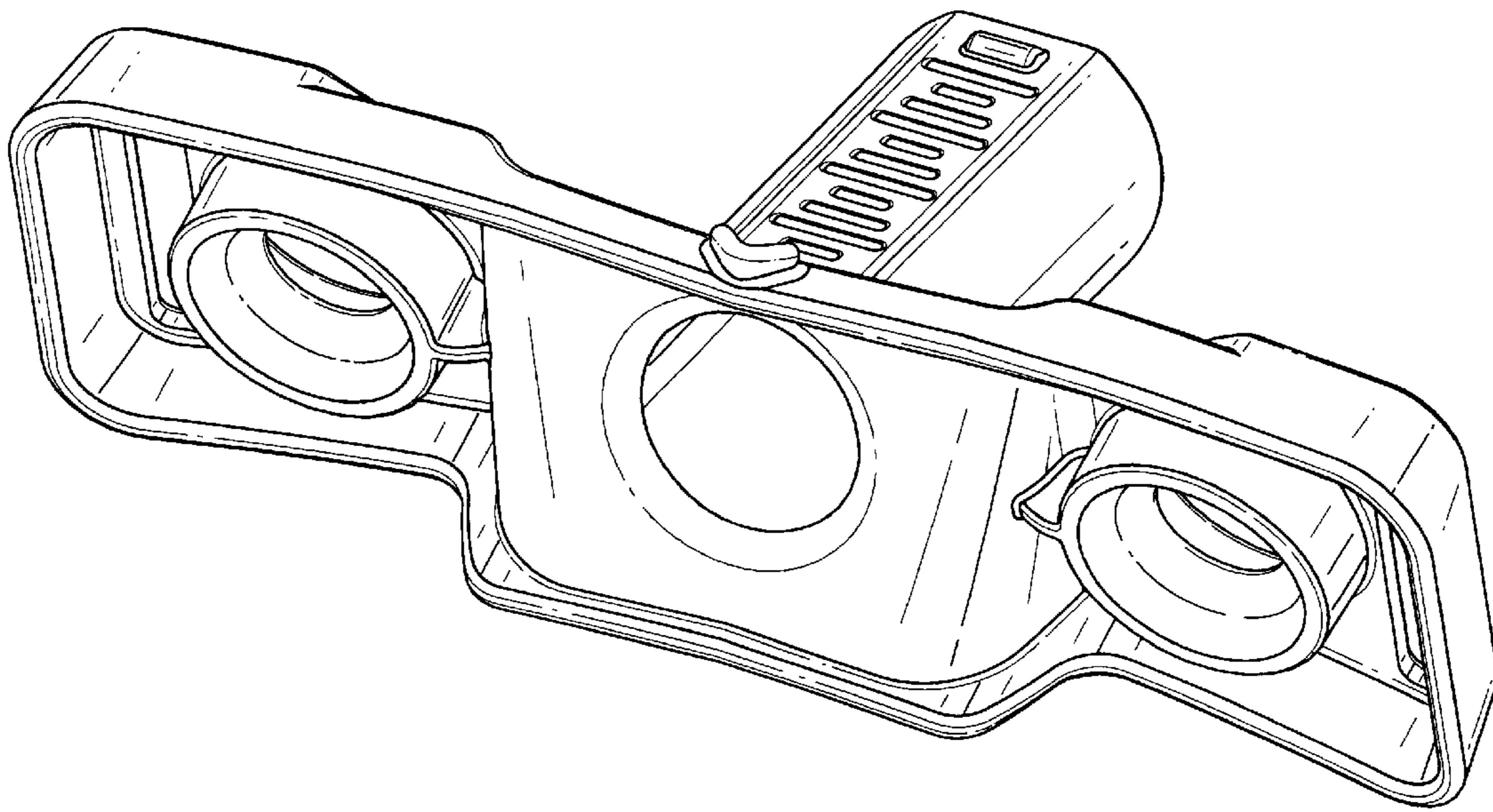


Fig. 8