



US00D558326S

(12) **United States Design Patent**
Pickett et al.

(10) **Patent No.: US D558,326 S**

(45) **Date of Patent: ** Dec. 25, 2007**

(54) **FAN BLADE BRACKET**

(76) Inventors: **Mark Pickett**, 1419 E. Palm St.,
Altadena, CA (US) 91001; **Joel Bell**,
10865 Washington Blvd., Culver City,
CA (US) 90232

(**) Term: **14 Years**

(21) Appl. No.: **29/264,634**

(22) Filed: **Aug. 15, 2006**

(51) **LOC (8) Cl.** **23-04**

(52) **U.S. Cl.** **D23/411**

(58) **Field of Classification Search** D23/377,
D23/379, 385, 411, 413; 416/5
See application file for complete search history.

Primary Examiner—Lisa Lichtenstein

(74) *Attorney, Agent, or Firm*—Parsons & Goltry; Michael
W. Goltry; Robert A. Parsons

(57) **CLAIM**

The ornamental design for a fan blade bracket, as shown and described.

DESCRIPTION

FIG. 1 is a bottom perspective view of a fan blade bracket showing our new design;

FIG. 2 is a top perspective view thereof;

FIG. 3 is a left side elevational view thereof;

FIG. 4 is a right side elevational view thereof;

FIG. 5 is a front elevational view thereof;

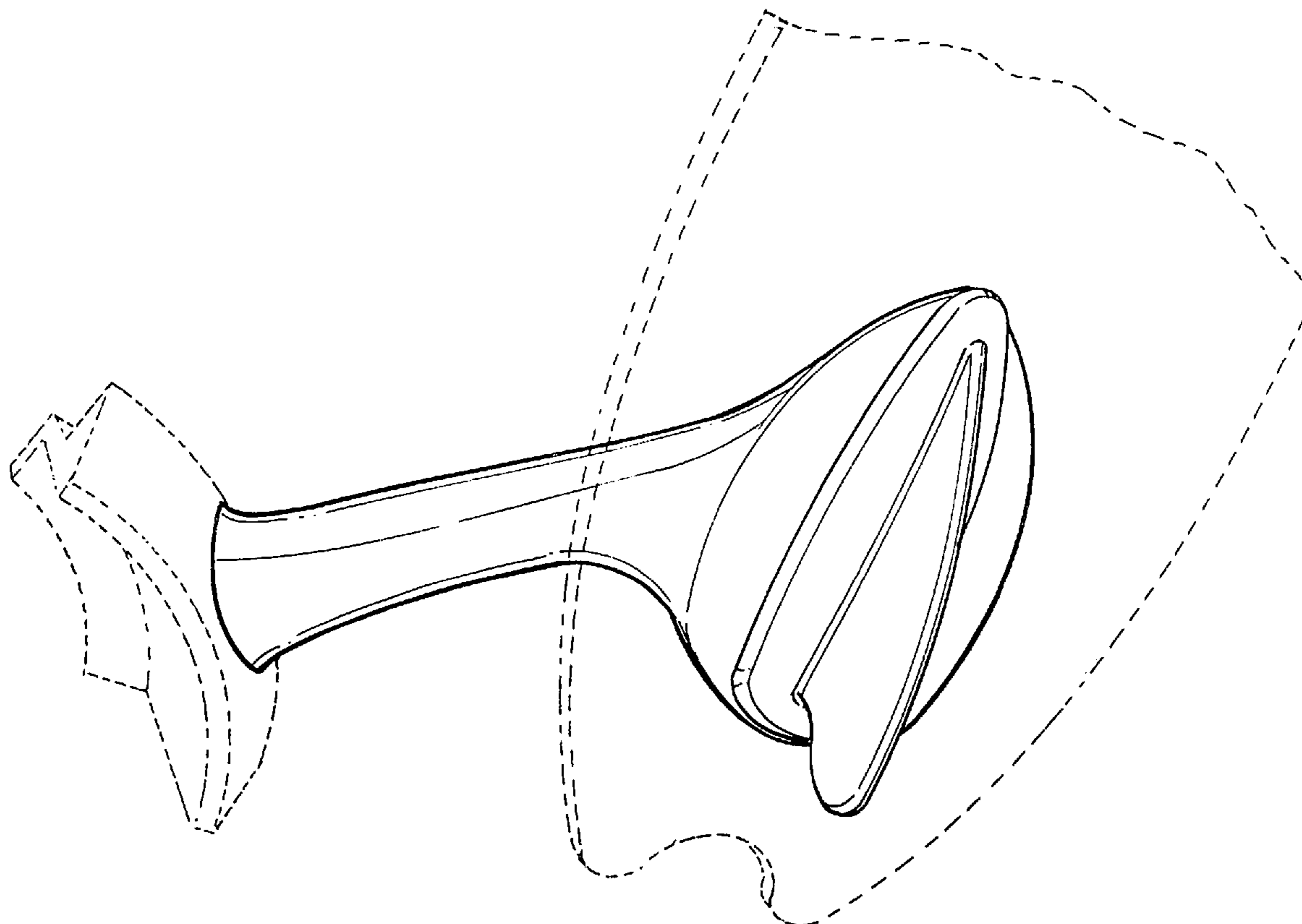
FIG. 6 is a rear elevational view thereof;

FIG. 7 is a bottom plan view thereof; and,

FIG. 8 is a top plan view thereof.

The broken line showing of the fan blade and the bracket attachment member is included for the purpose of illustrating environmental structure and forms no part of the claimed design.

1 Claim, 6 Drawing Sheets



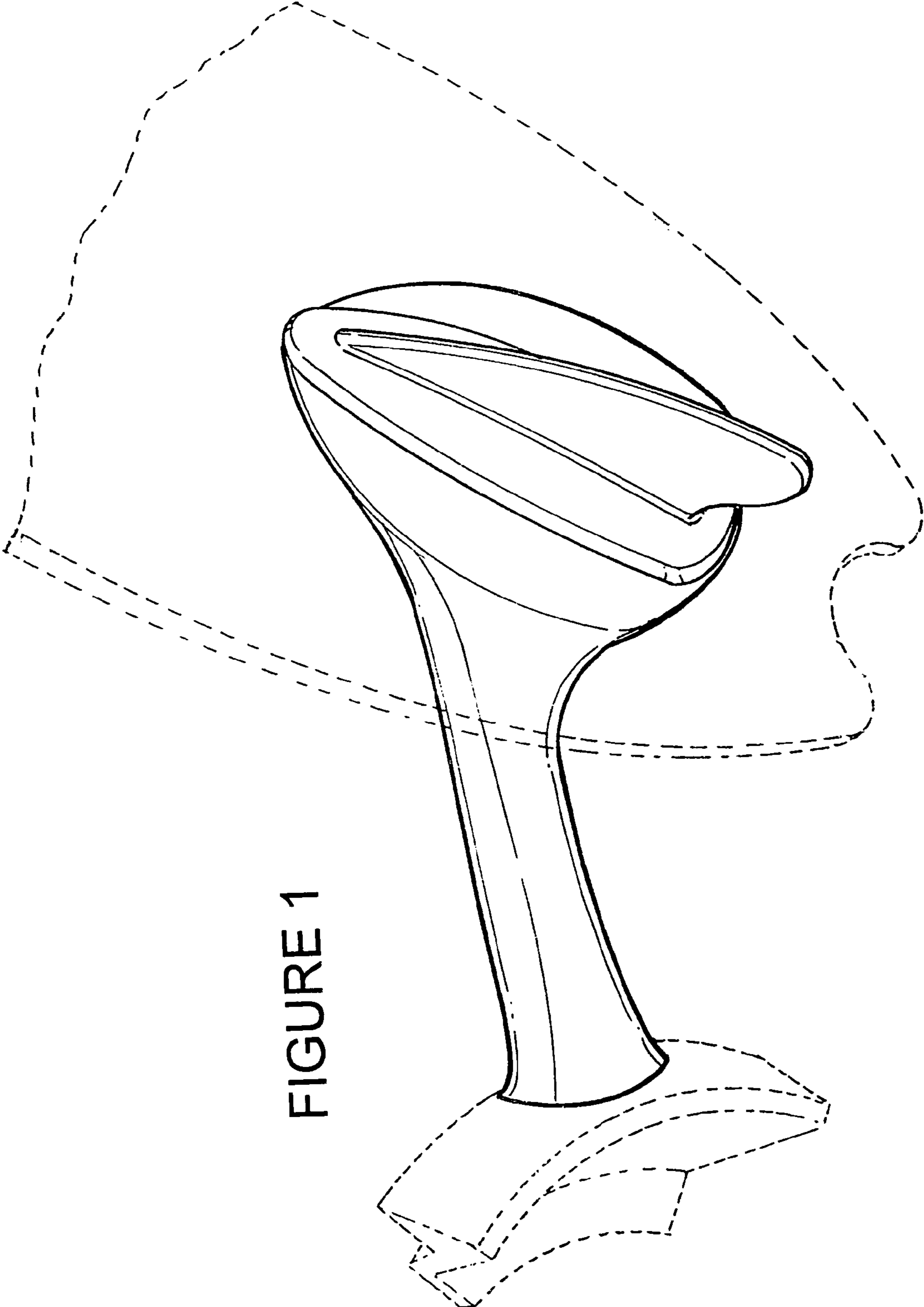


FIGURE 1

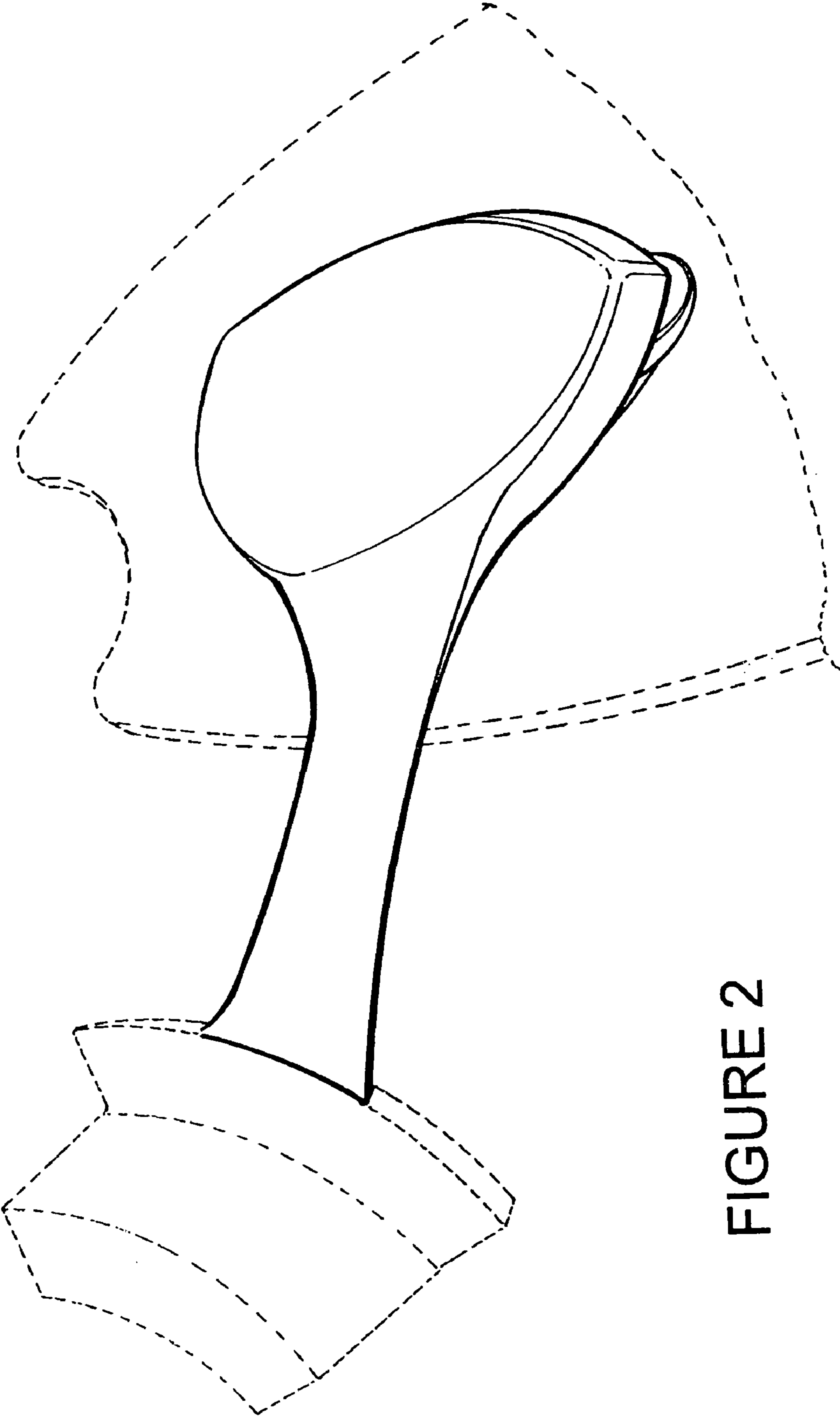


FIGURE 2

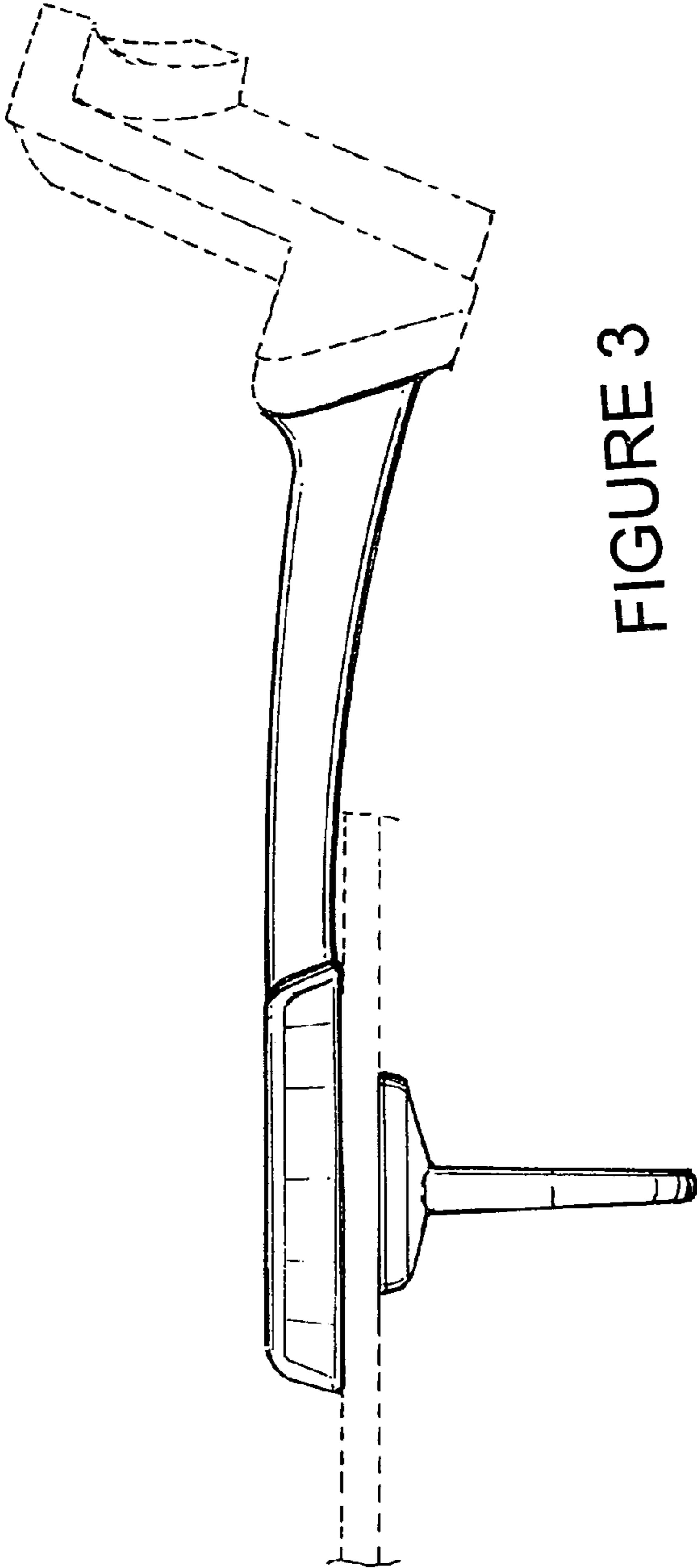


FIGURE 3

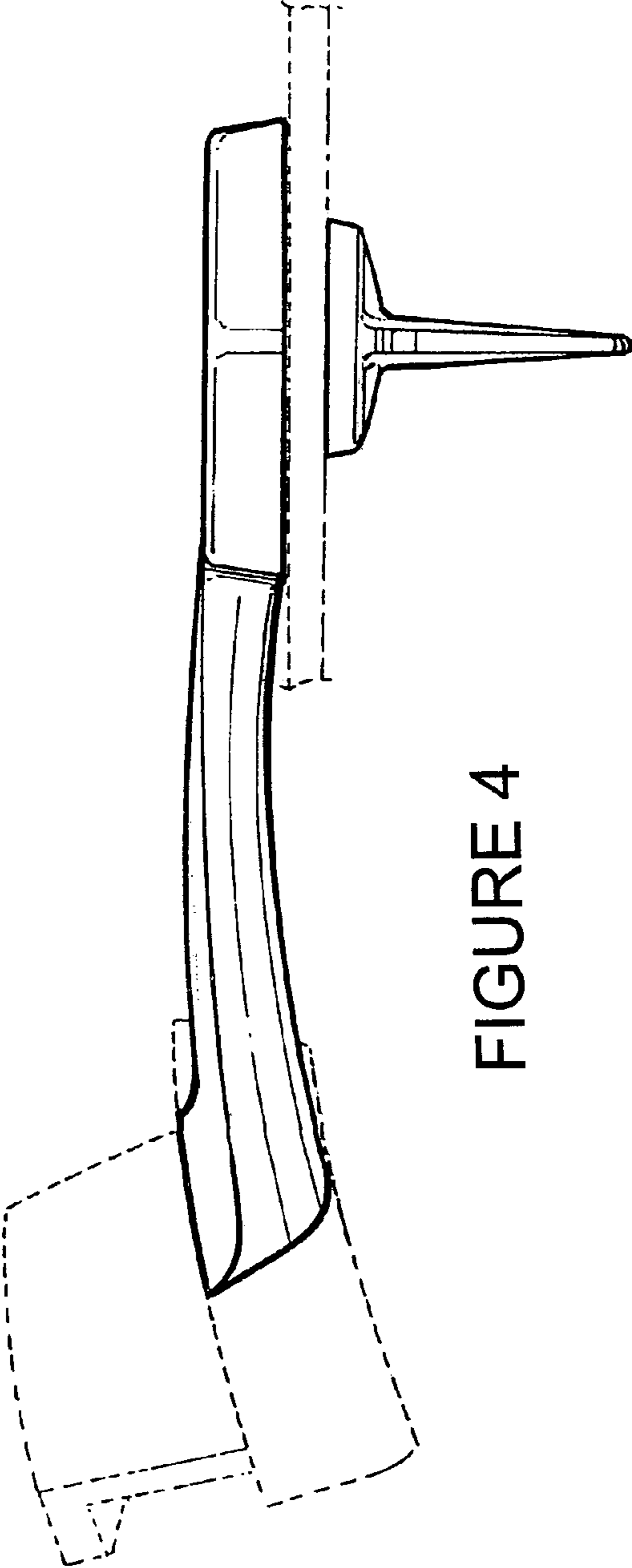


FIGURE 4

FIGURE 5

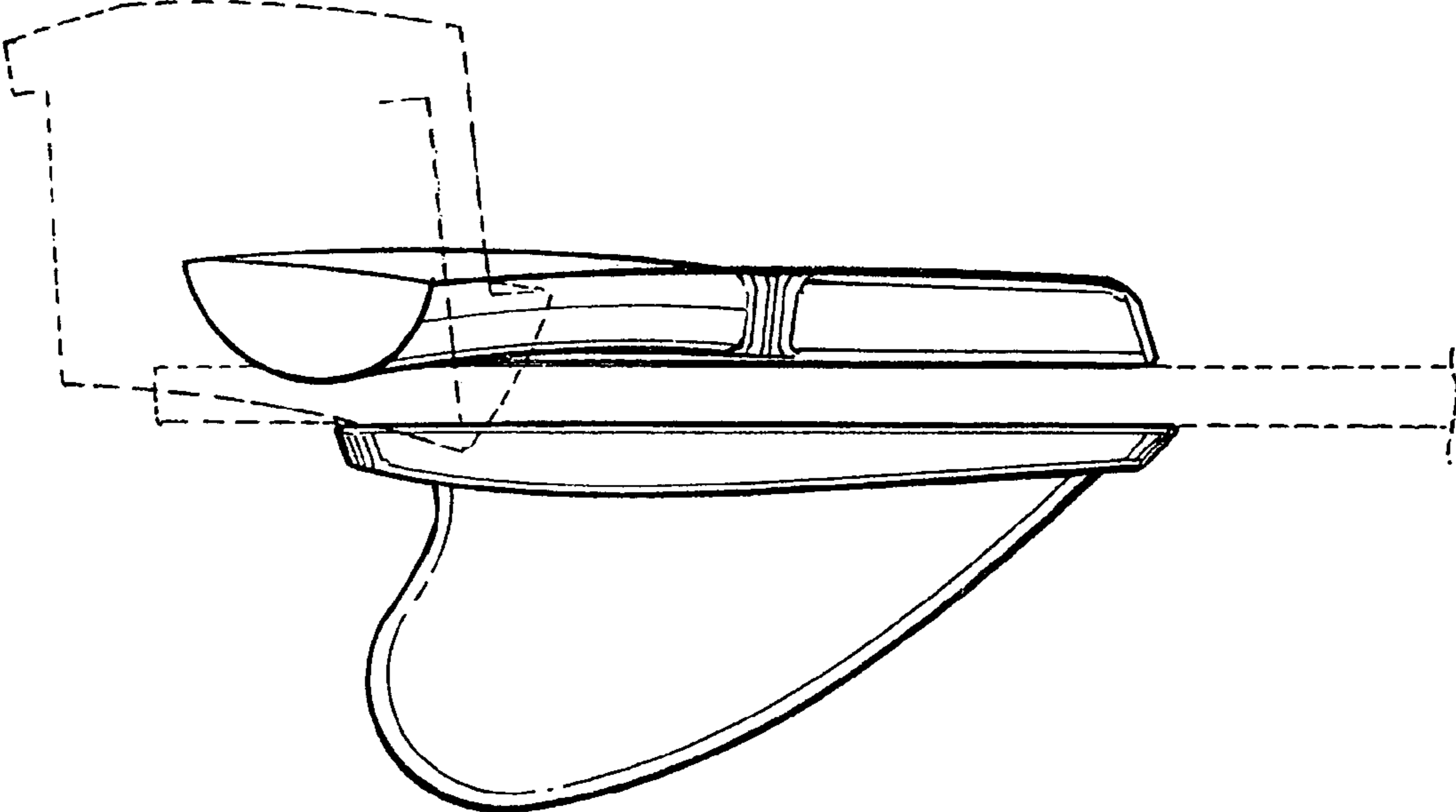
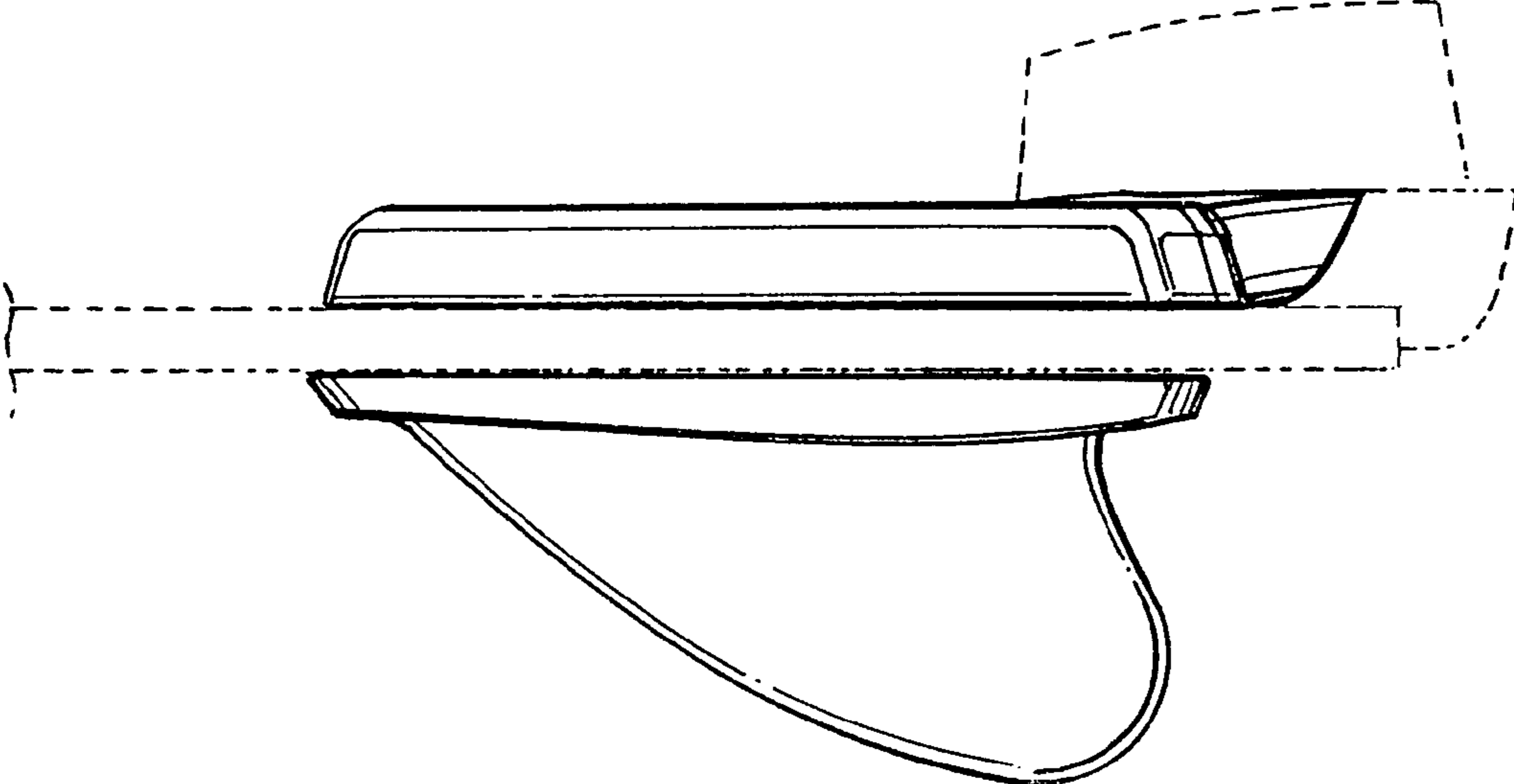


FIGURE 6

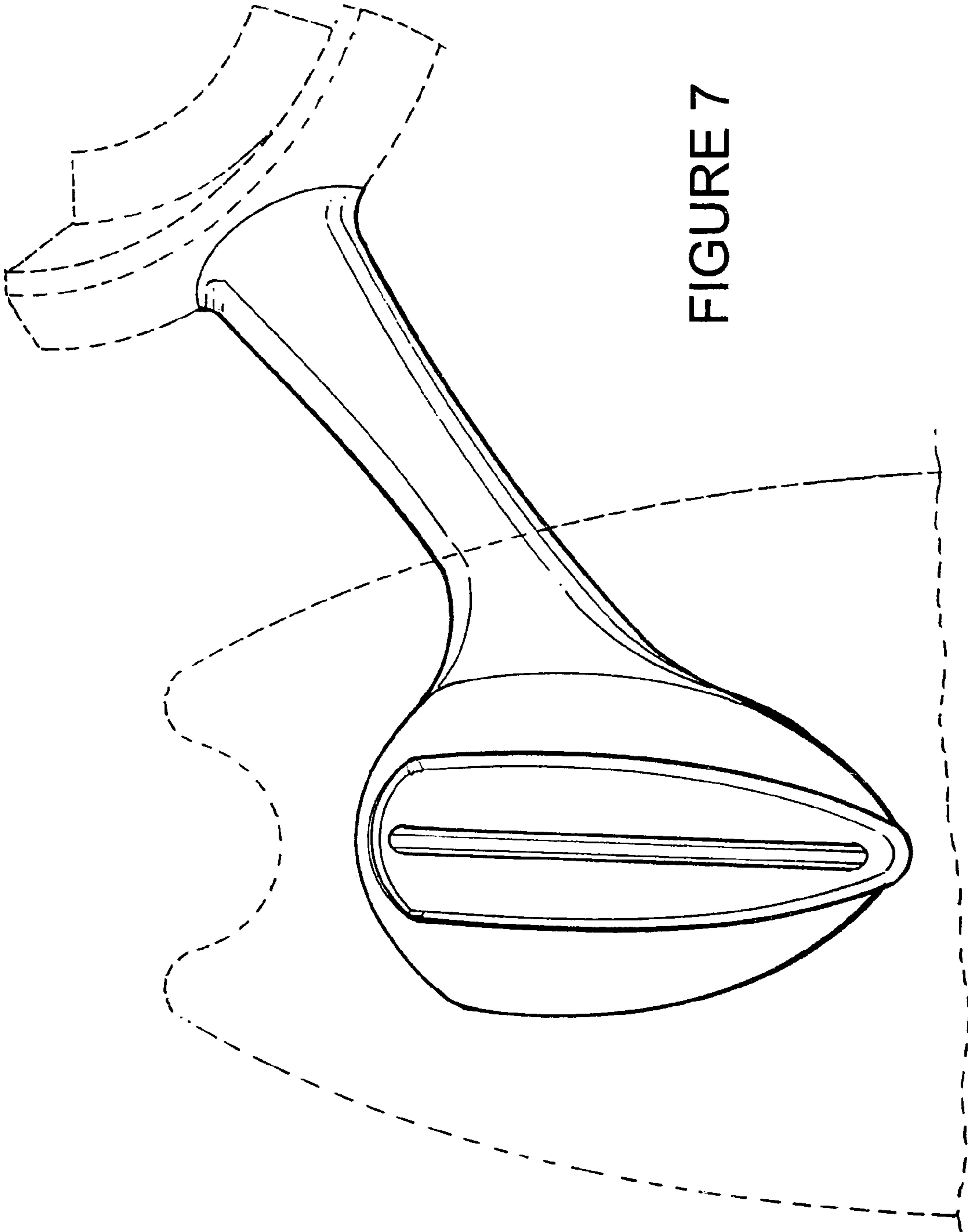


FIGURE 7

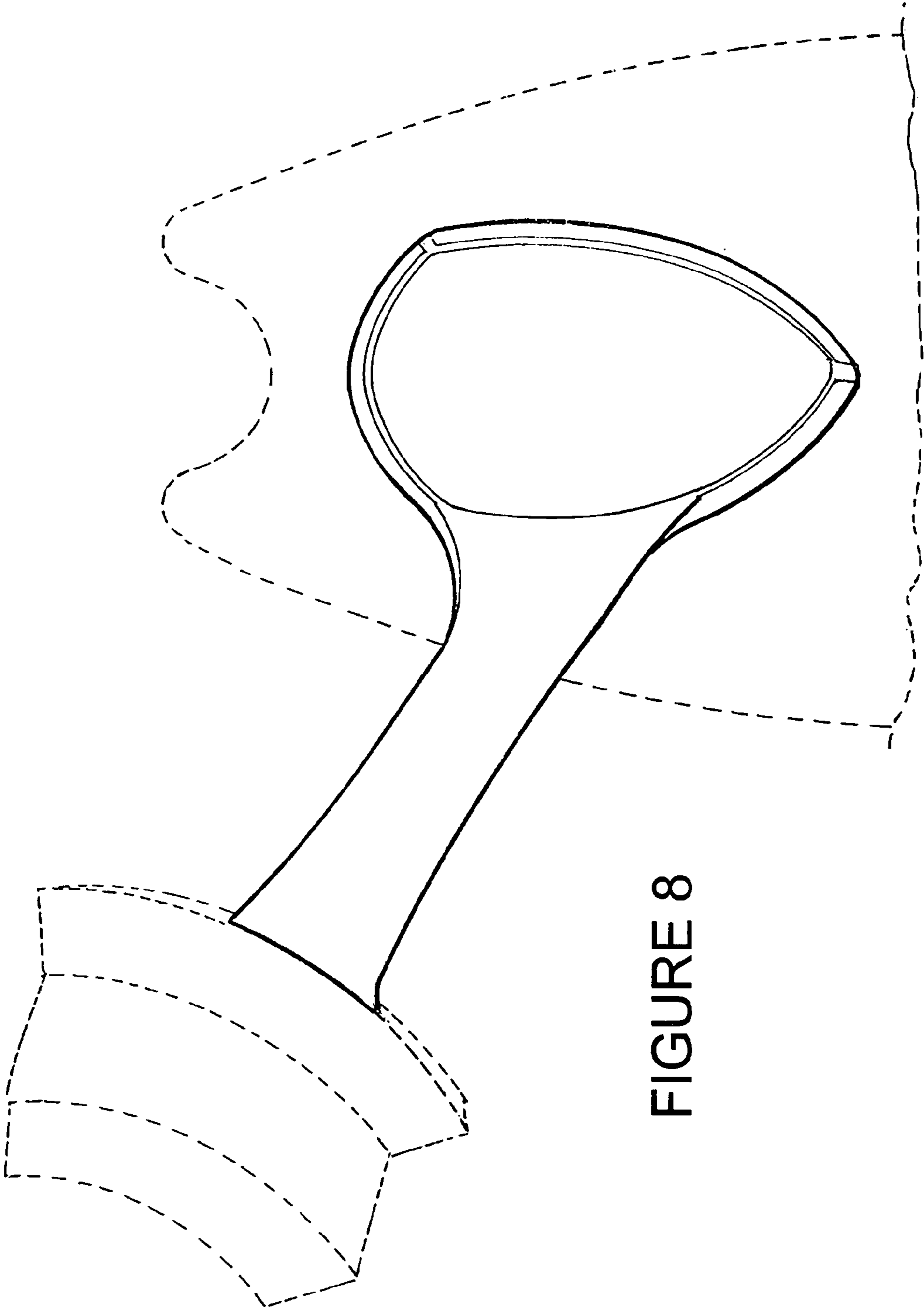


FIGURE 8