



US00D558324S

(12) **United States Design Patent**
Hong

(10) **Patent No.:** **US D558,324 S**

(45) **Date of Patent:** **** Dec. 25, 2007**

(54) **OVERLAPPING FAN-BLADE STRUCTURE FOR A FAN WHEEL**

Primary Examiner—Lisa Lichtenstein
(74) *Attorney, Agent, or Firm*—Bacon & Thomas, PLLC

(75) Inventor: **Yin-Rong Hong**, Kaohsiung (TW)

(57) **CLAIM**

(73) Assignee: **Sunonwealth Electric Machine Industry Co., Ltd.**, Kaohsiung (TW)

The ornamental design for overlapping fan-blade structure for a fan wheel, as shown in the accompanying drawings.

(**) Term: **14 Years**

DESCRIPTION

(21) Appl. No.: **29/229,705**

(22) Filed: **May 11, 2005**

(30) **Foreign Application Priority Data**

Feb. 14, 2005 (TW) 94300802
Feb. 15, 2005 (TW) 94300802U01

(51) **LOC (8) Cl.** **23-04**

(52) **U.S. Cl.** **D23/379**

(58) **Field of Classification Search** D23/379,
D23/411, 413, 370; 416/223 R, 238
See application file for complete search history.

(56) **References Cited**

U.S. PATENT DOCUMENTS

D246,856 S	1/1978	O'Connor	
D453,827 S	2/2002	Kuo et al.	
D463,021 S	9/2002	Huang et al.	
D468,009 S	12/2002	Hoenderkamp et al.	
D486,572 S	2/2004	Chen et al.	
D486,905 S *	2/2004	Wang D23/379
D506,823 S *	6/2005	Chiu et al. D23/379
D507,343 S *	7/2005	Chiu et al. D23/379
D507,640 S *	7/2005	Chiu et al. D23/379
D507,641 S *	7/2005	Chiu et al. D23/379

* cited by examiner

FIG. 1 is a perspective view of the overlapping fan-blade structure for fan wheel in accordance with a first embodiment of the claimed design;

FIG. 2 is a right side elevational view thereof;

FIG. 3 is a top plan view thereof;

FIG. 4 is a front elevational view thereof;

FIG. 5 is a bottom plan view thereof;

FIG. 6 is a left side elevational view thereof;

FIG. 7 is a rear elevational view thereof;

FIG. 8 is a perspective view of the overlapping fan-blade structure for fan wheel in accordance with a second embodiment;

FIG. 9 is a right side elevational view of FIG. 8;

FIG. 10 is a top plan view of FIG. 8;

FIG. 11 is a front elevational view of FIG. 8;

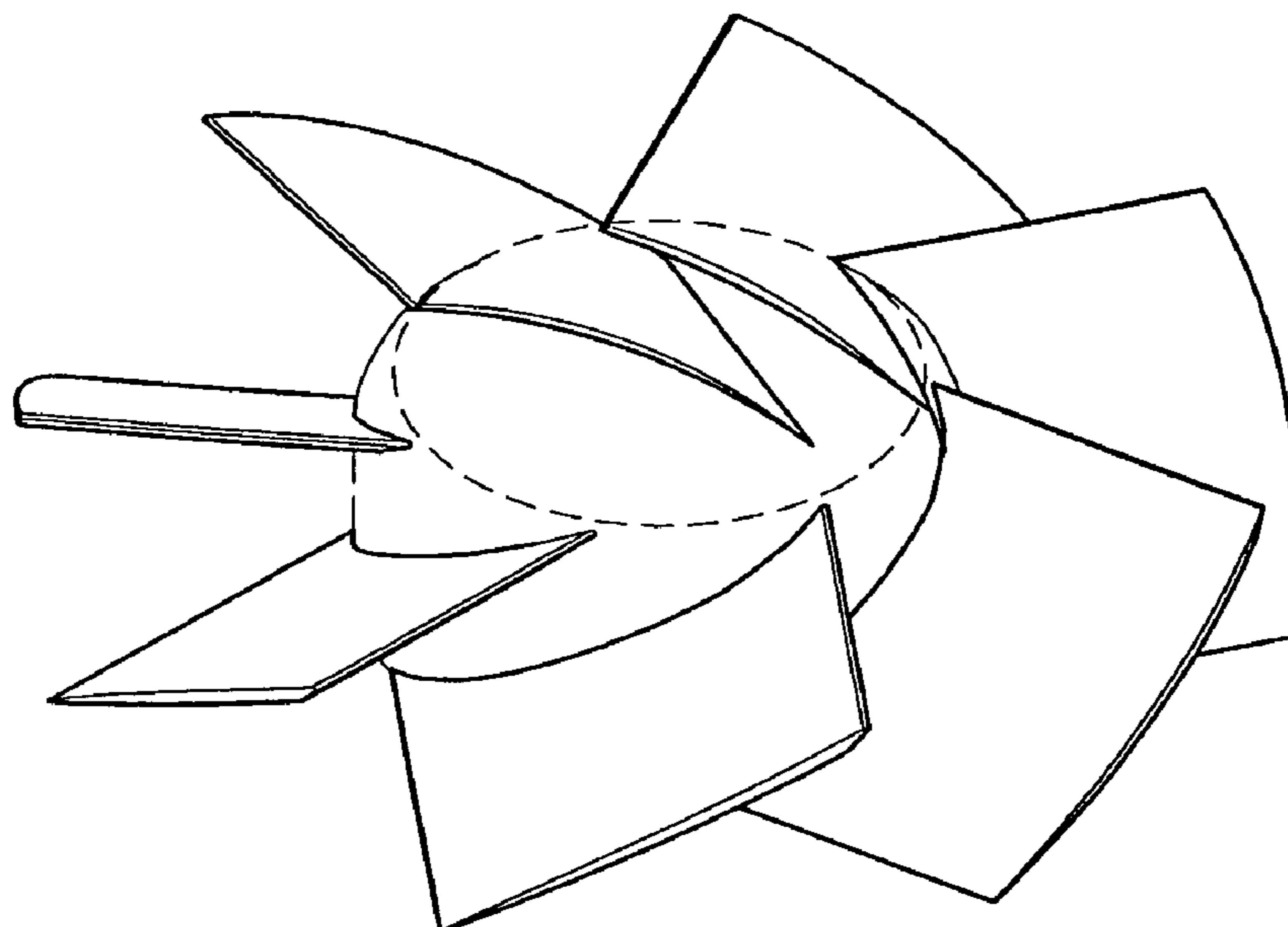
FIG. 12 is a bottom plan view of FIG. 8;

FIG. 13 is a left side elevational view of FIG. 8; and,

FIG. 14 is a rear elevational view of FIG. 8.

The broken line showing of the fan blade attachment element is included for the purpose of illustrating environmental structure and forms no part of the claimed design.

1 Claim, 8 Drawing Sheets



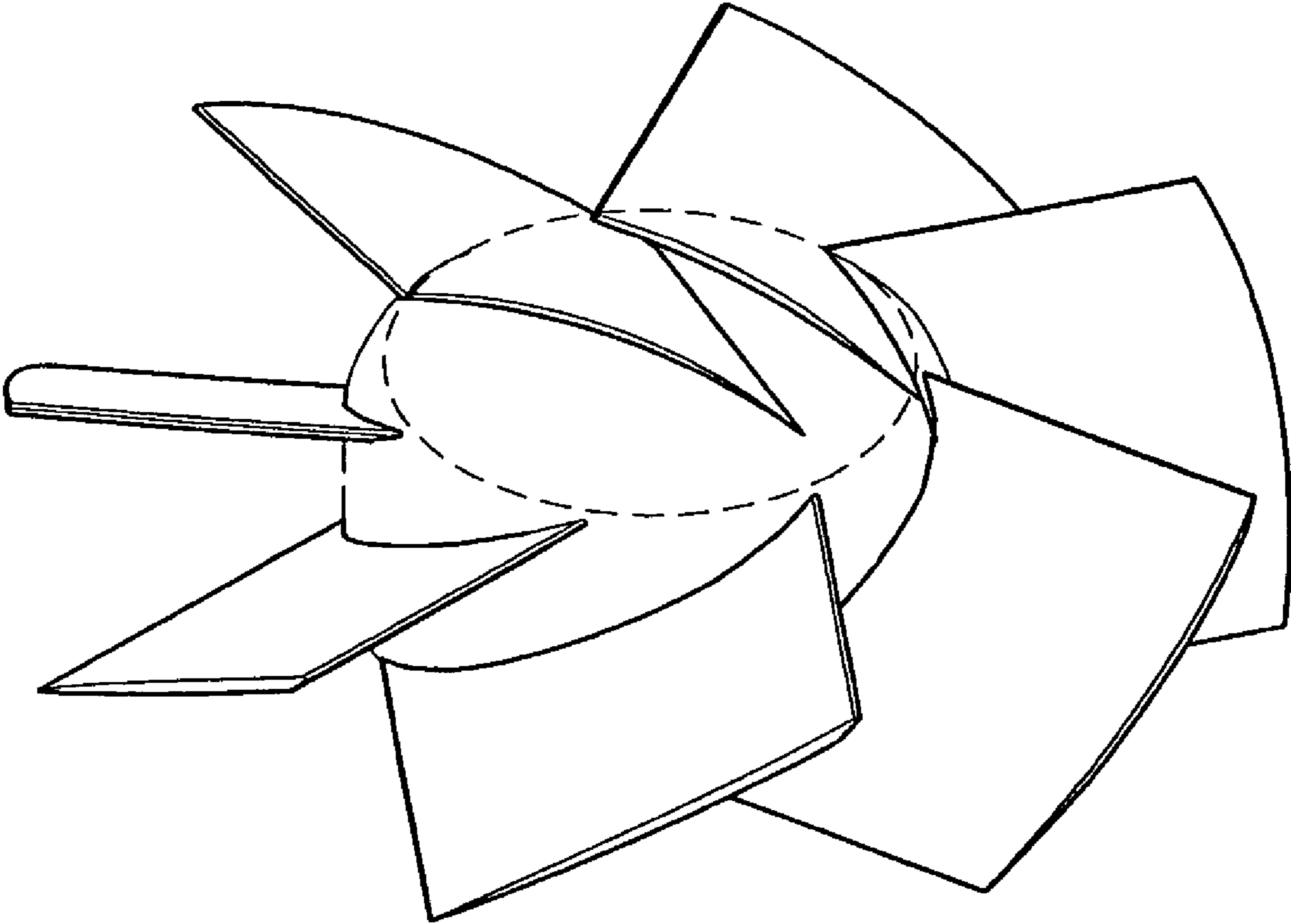


FIG. 1

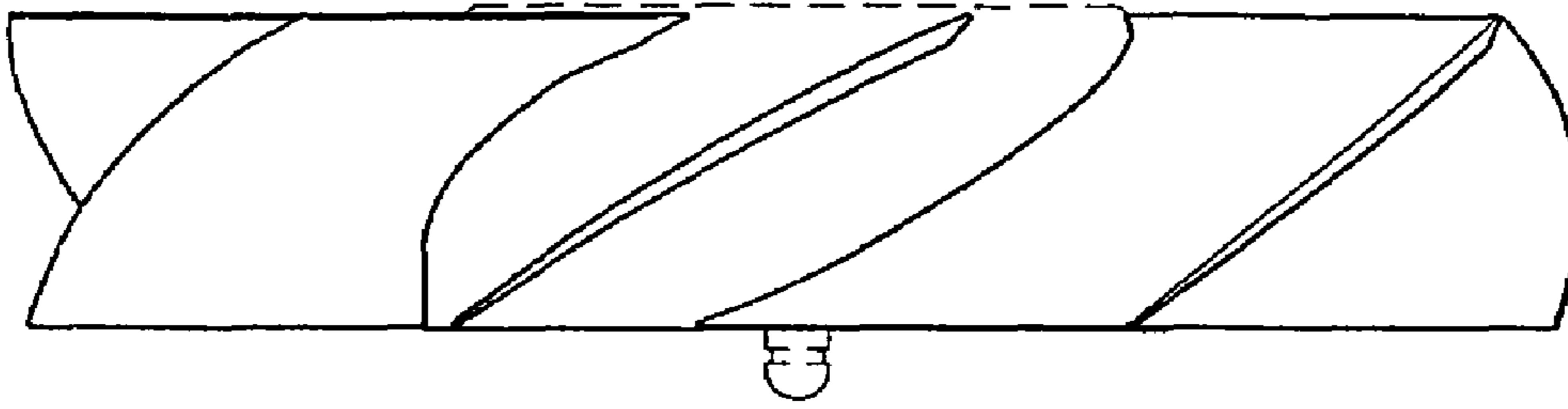


FIG. 2

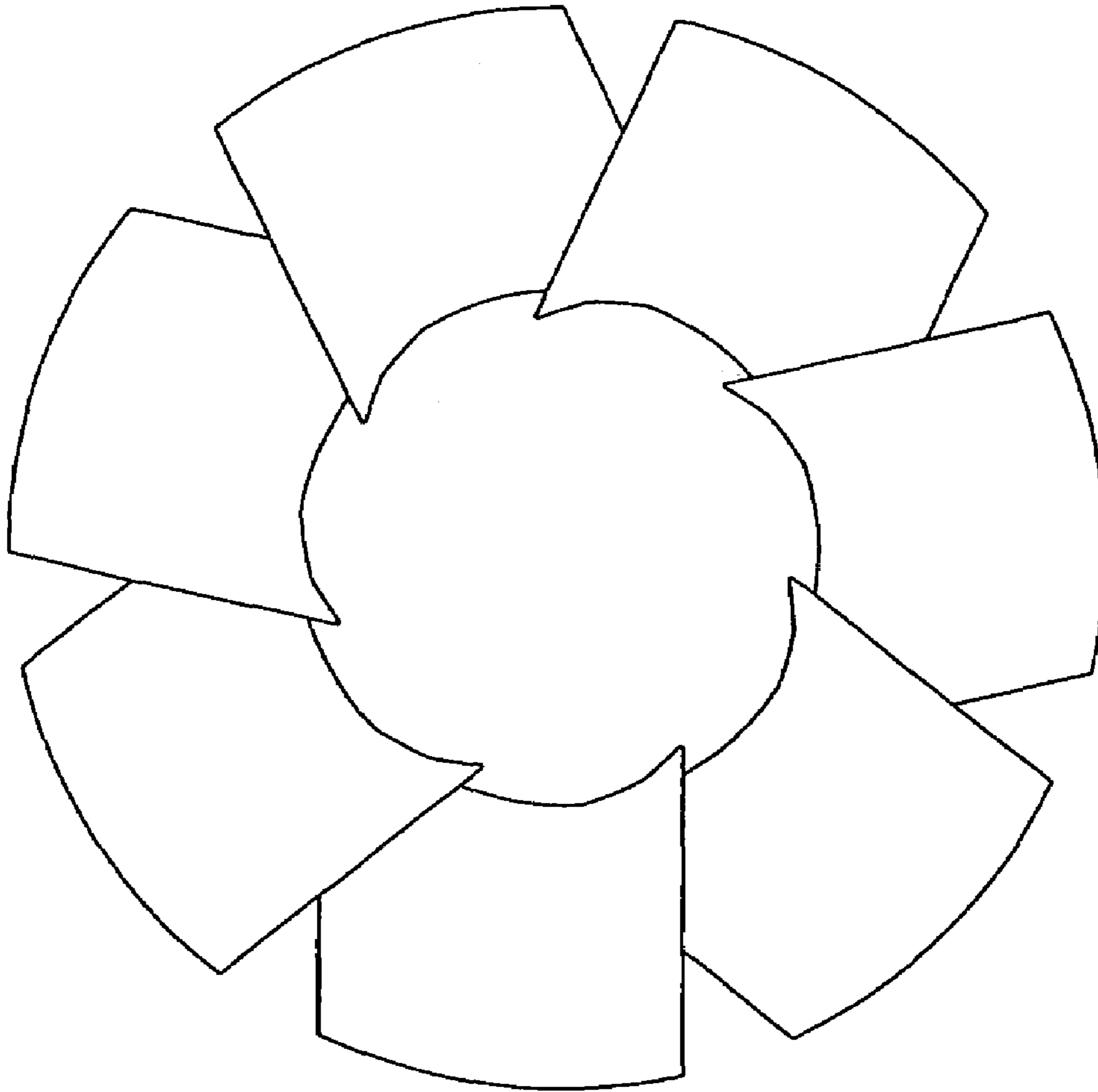


FIG. 3

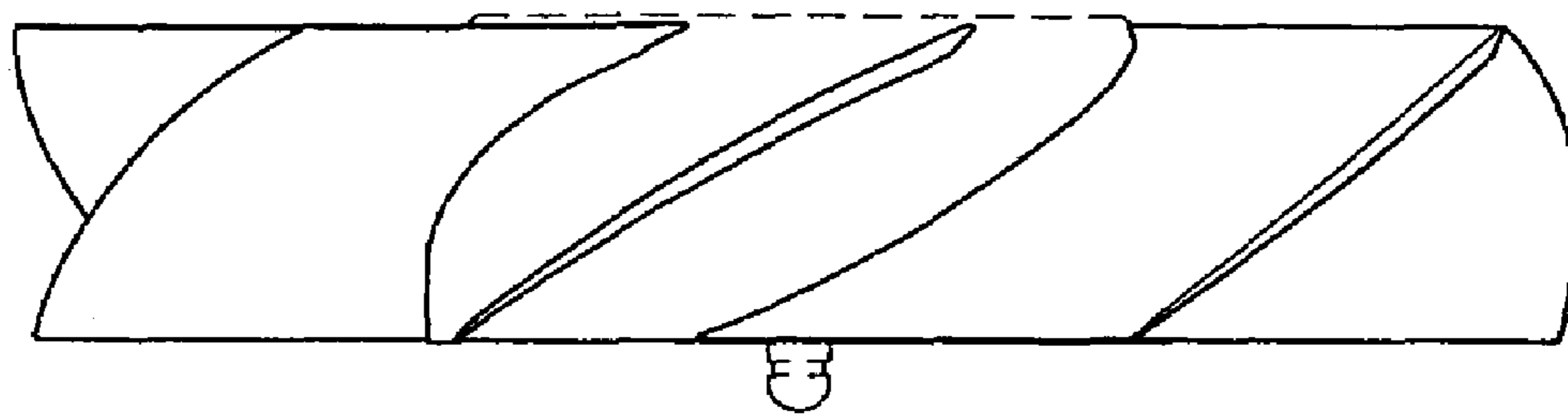


FIG. 4

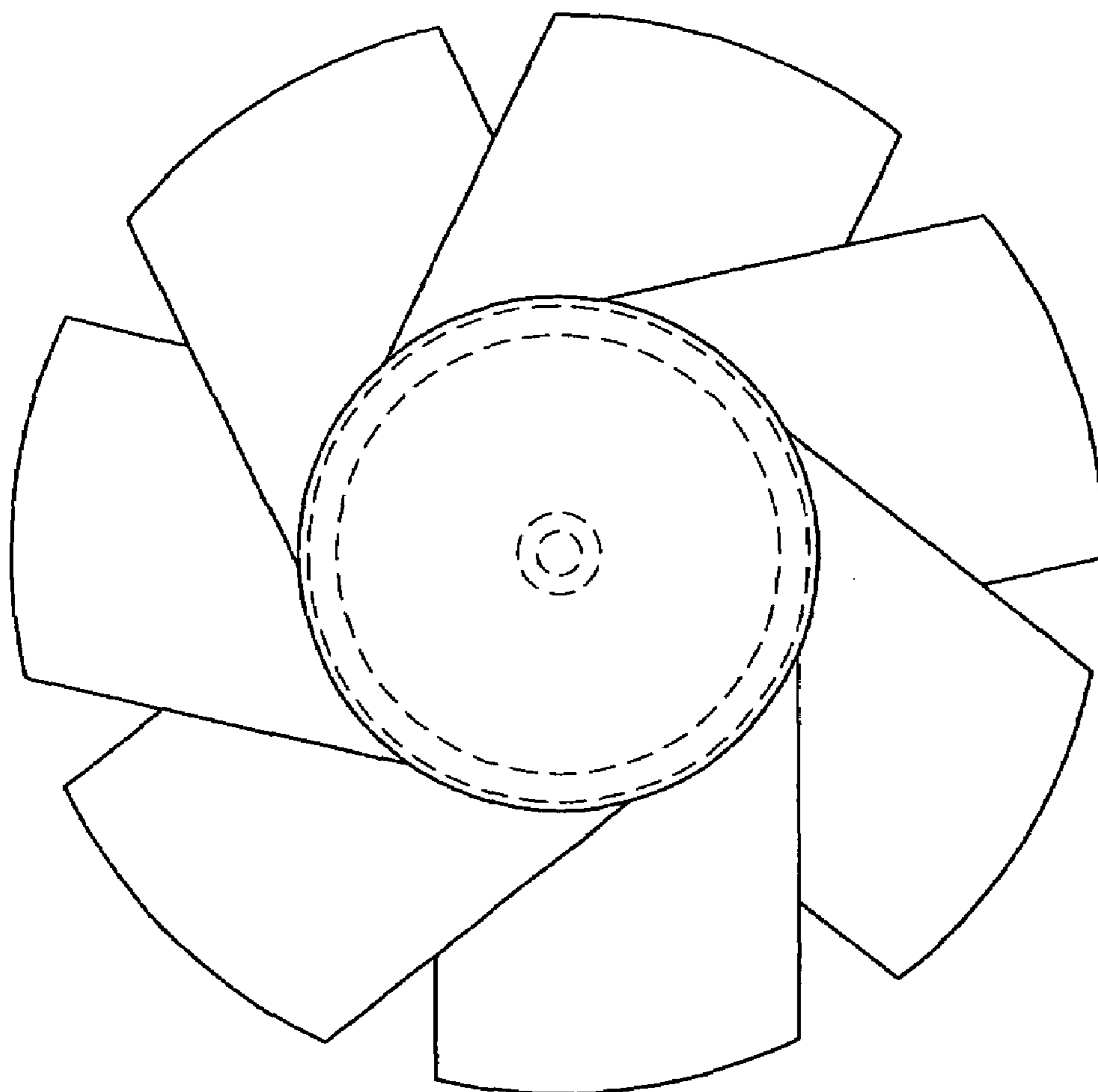


FIG. 5

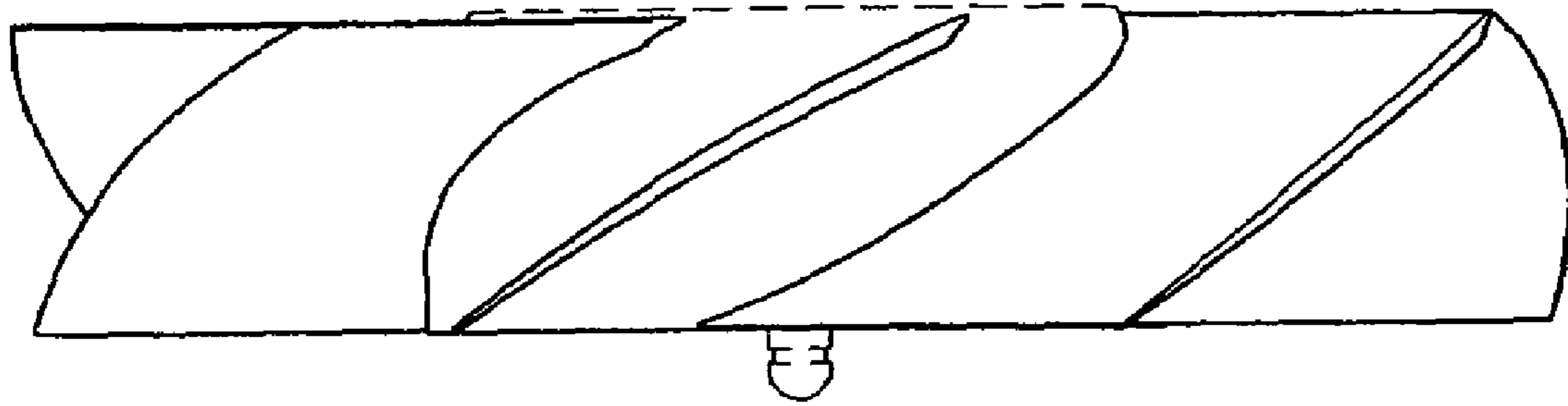


FIG. 6

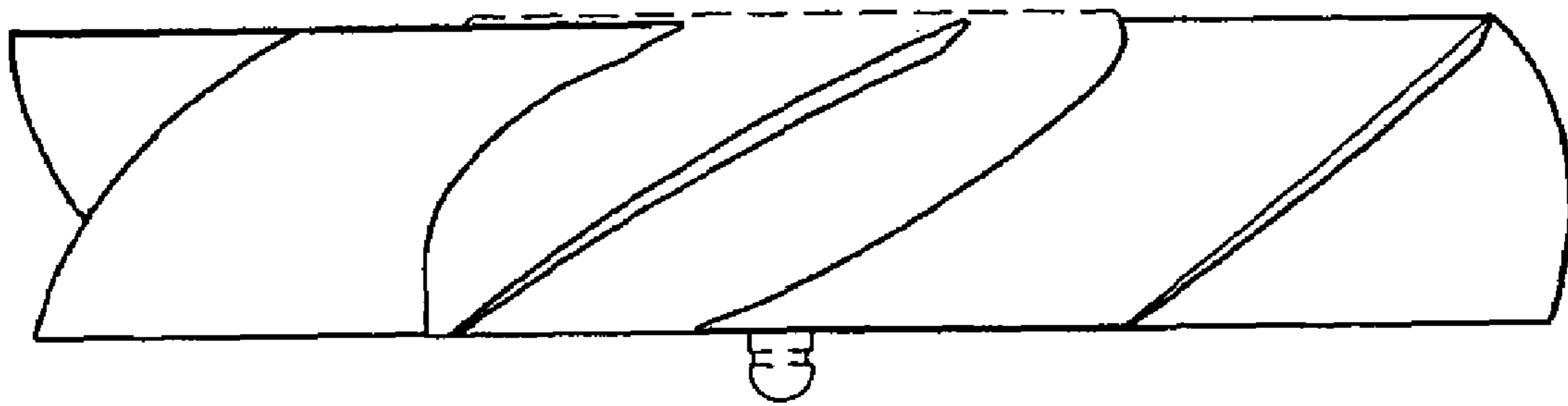


FIG. 7

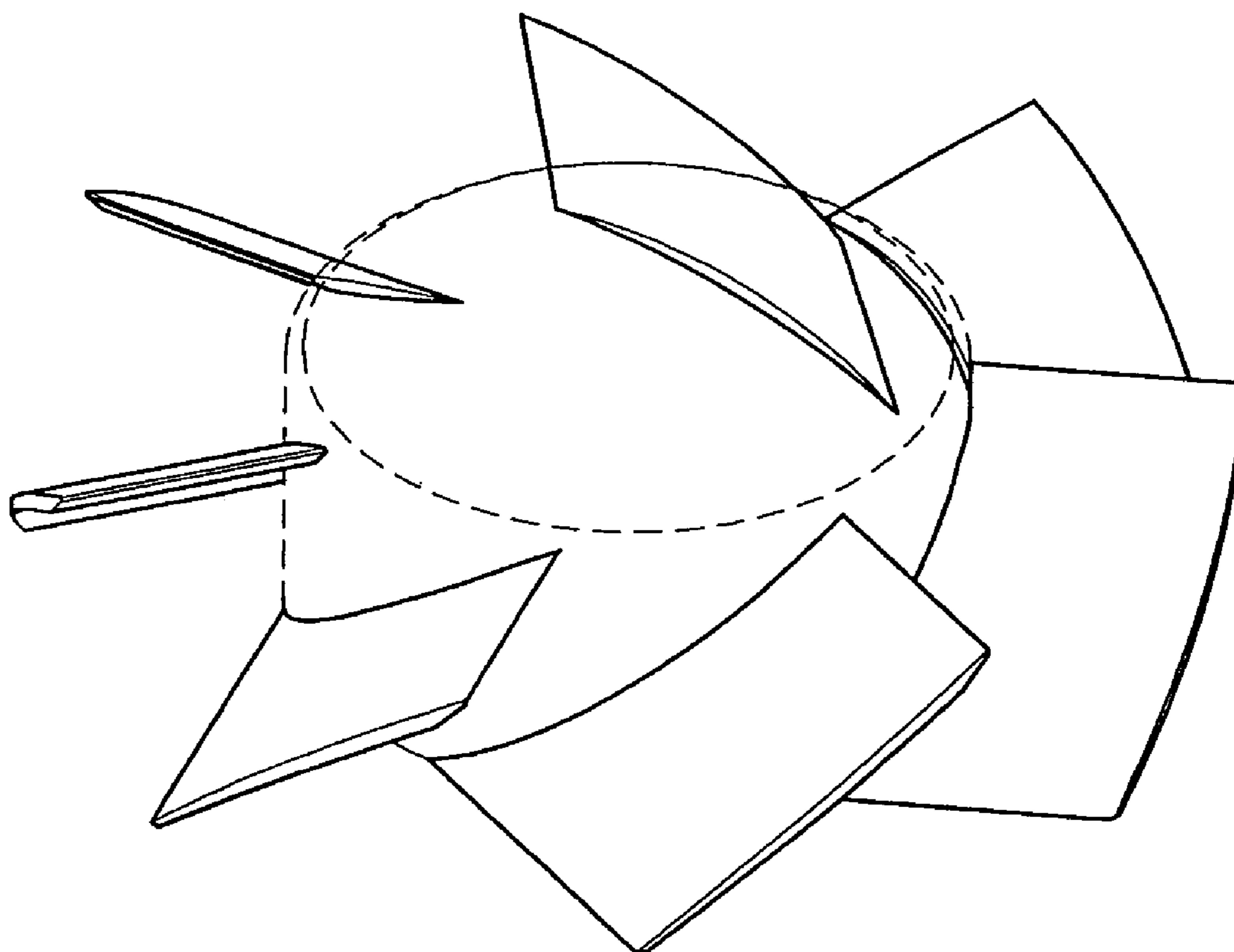


FIG. 8

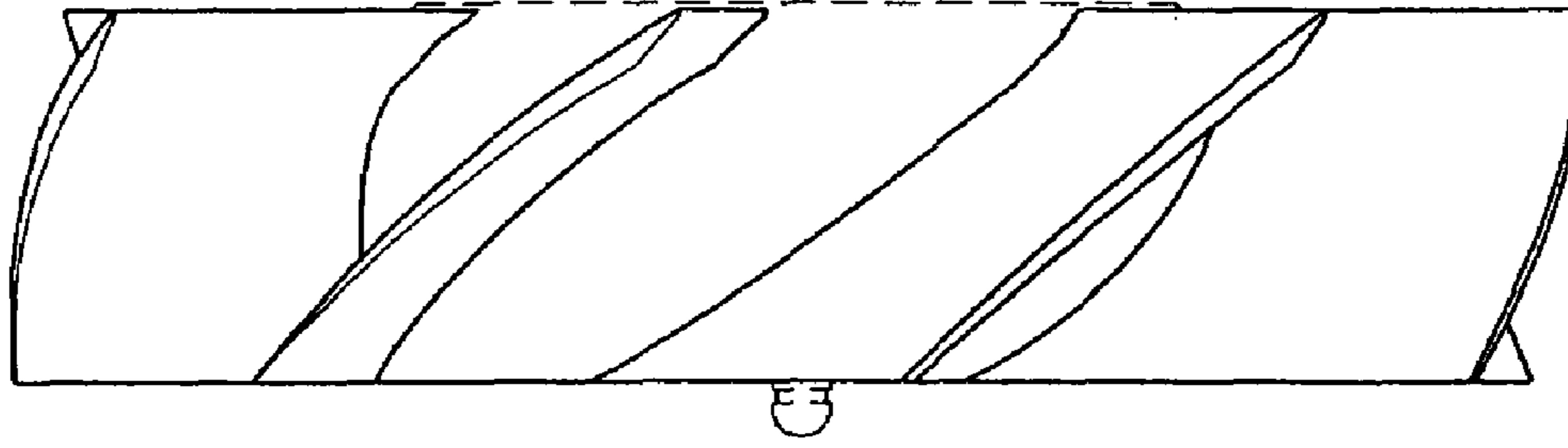


FIG. 9

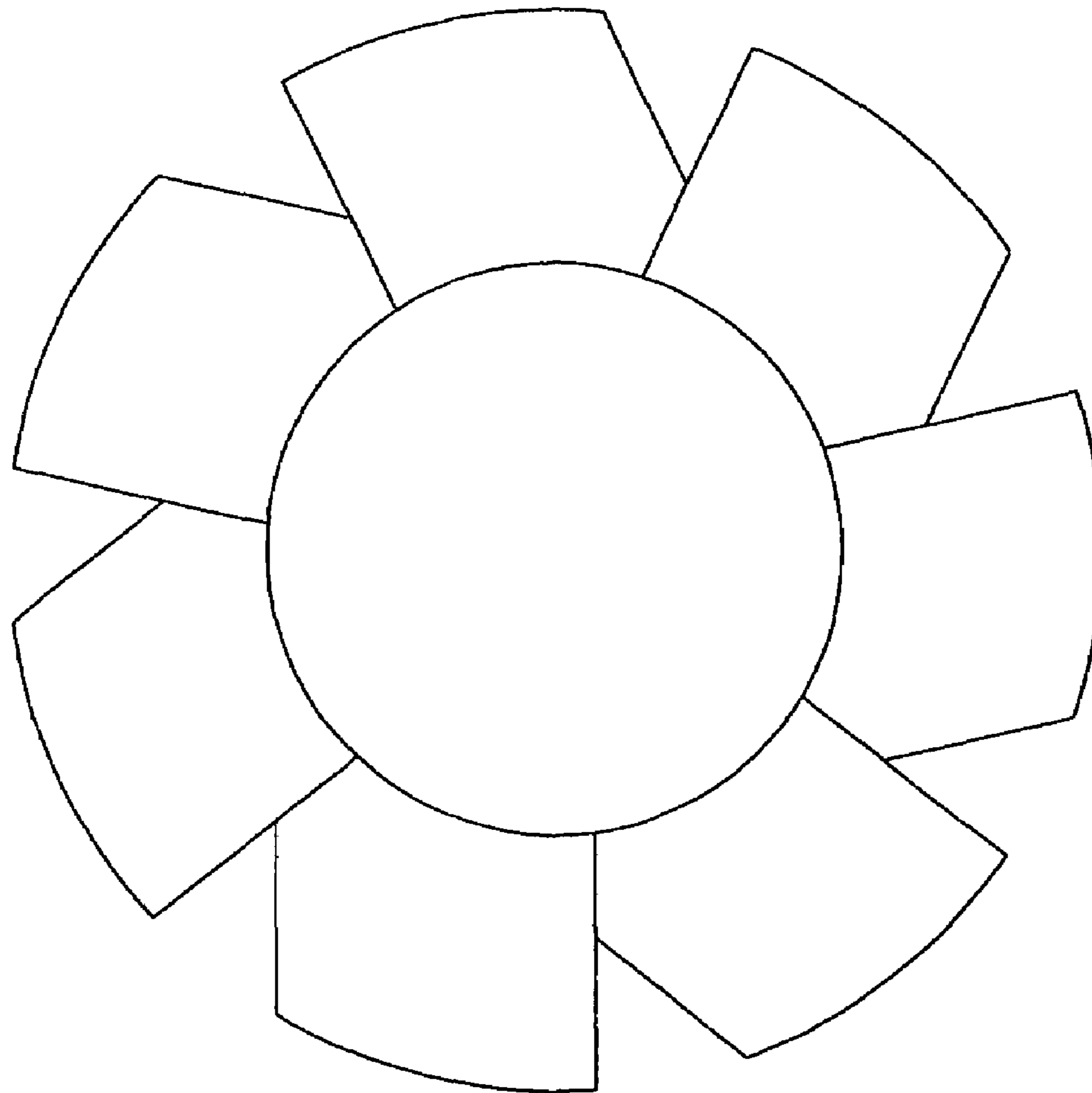


FIG. 10

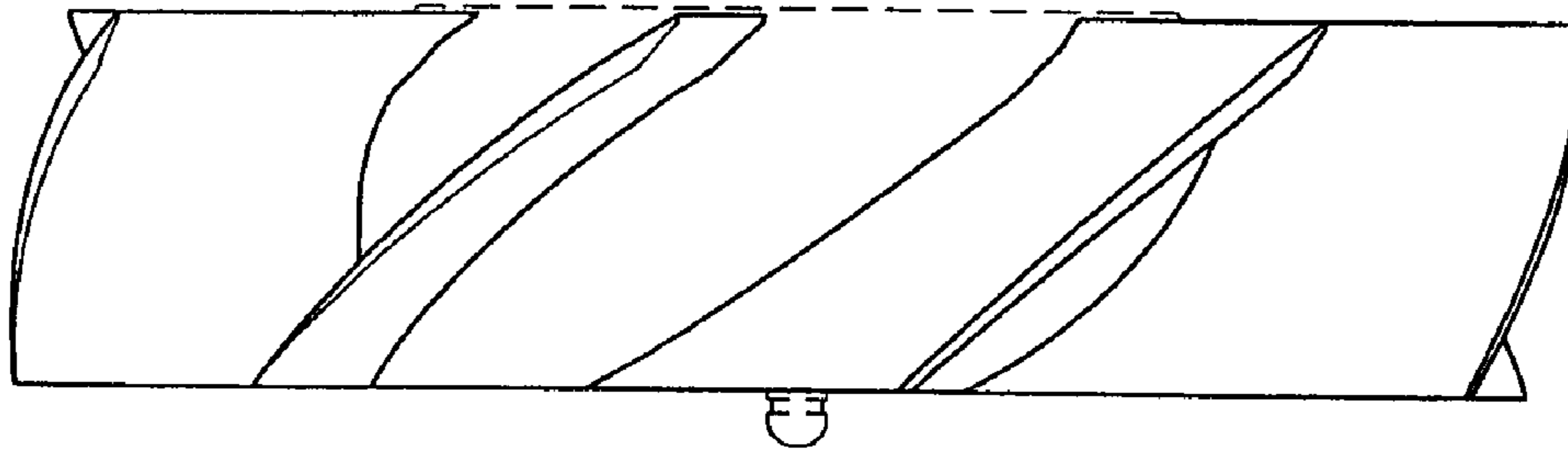


FIG. 11

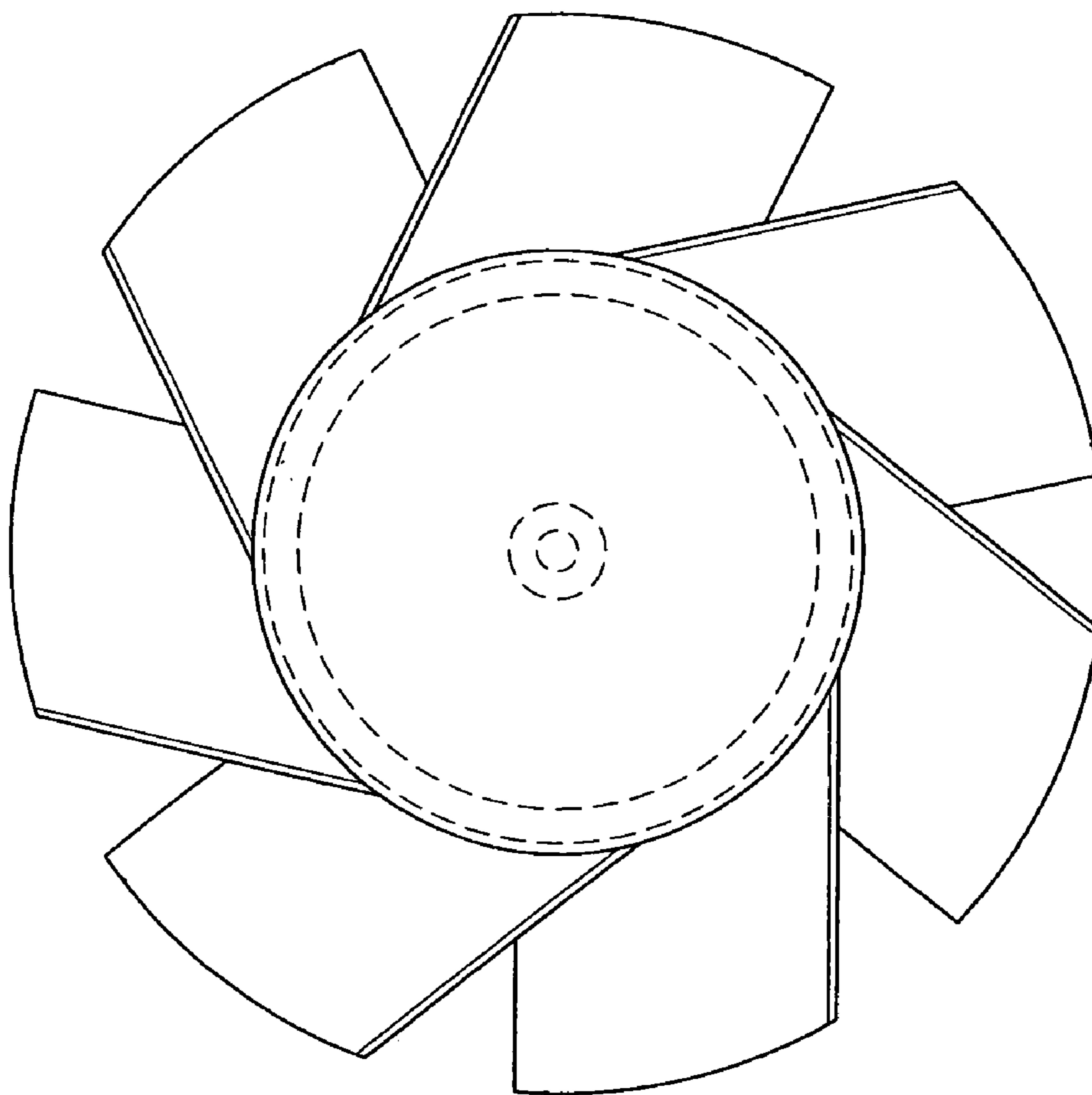


FIG. 12

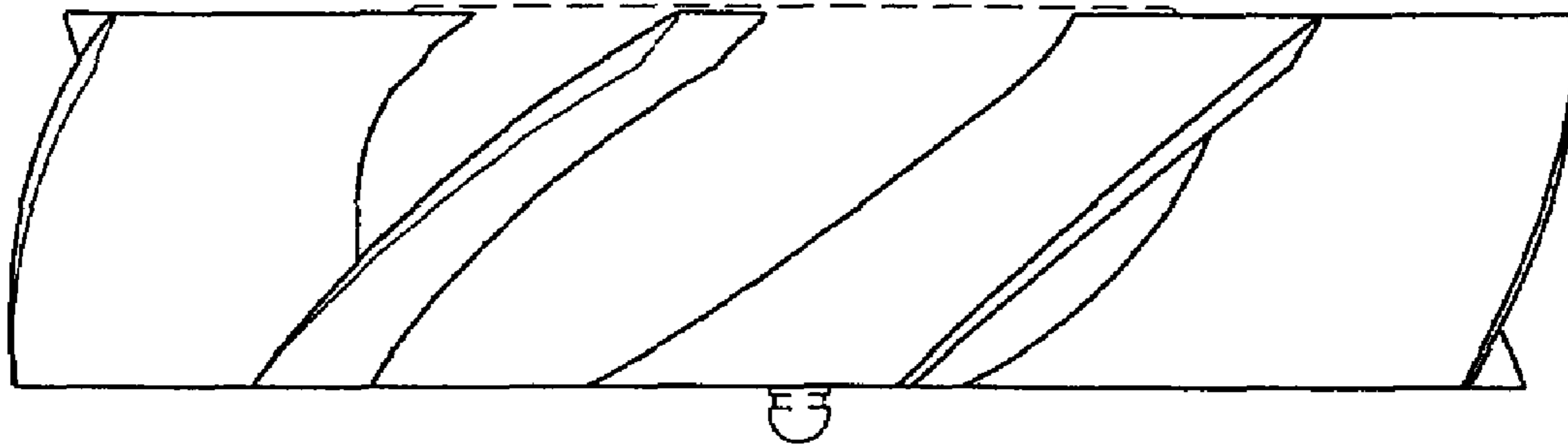


FIG. 13

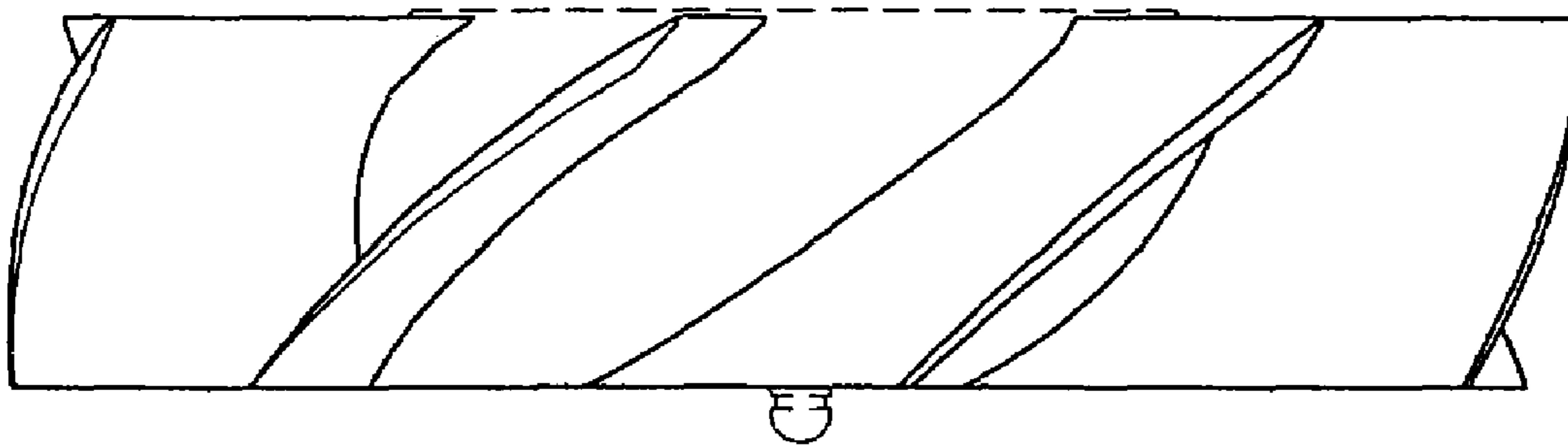


FIG. 14