



US00D558322S

(12) **United States Design Patent**
Lebeuf et al.

(10) **Patent No.:** **US D558,322 S**

(45) **Date of Patent:** **** Dec. 25, 2007**

(54) **KITCHEN HOOD**

(57) **CLAIM**

(75) Inventors: **Jean-François Lebeuf**, Brossard (CA);
Patrick Mainville, Montreal (CA)

The ornamental design for a kitchen hood, as shown and described.

(73) Assignee: **Venmar Ventilation Inc.**,
Drummondville (CA)

DESCRIPTION

(**) Term: **14 Years**

FIG. 1 is a top plan view of the front portion of a kitchen hood;

(21) Appl. No.: **29/225,398**

FIG. 2 is a front view of the front portion of a kitchen hood of FIG. 1;

(22) Filed: **Mar. 16, 2005**

FIG. 3 is a right elevation view of the front portion of a kitchen hood of FIG. 1;

(30) **Foreign Application Priority Data**

FIG. 4 is a front perspective view of the front portion of a kitchen hood of FIG. 1;

Sep. 17, 2004 (CA) 108389

FIG. 5 is a further front perspective view of the front portion of a kitchen hood of FIG. 1;

(51) **LOC (8) Cl.** **23-04**

(52) **U.S. Cl.** **D23/372**

(58) **Field of Classification Search** D23/372,
D23/371, 370; D7/406; 126/299 D, 299 R
See application file for complete search history.

FIG. 6 is a front bottom perspective view of the front portion of a kitchen hood of FIG. 1;

FIG. 7 is a rear bottom perspective view of the front portion of a kitchen hood of FIG. 1;

(56) **References Cited**

U.S. PATENT DOCUMENTS

D318,111 S * 7/1991 Galassi D23/372
D367,319 S * 2/1996 Isabelle et al. D23/372
D375,351 S * 11/1996 Conforti D23/372
D482,769 S * 11/2003 Bothe et al. D23/372

FIG. 8 is a side perspective view of the front portion of a kitchen hood of FIG. 1; and,

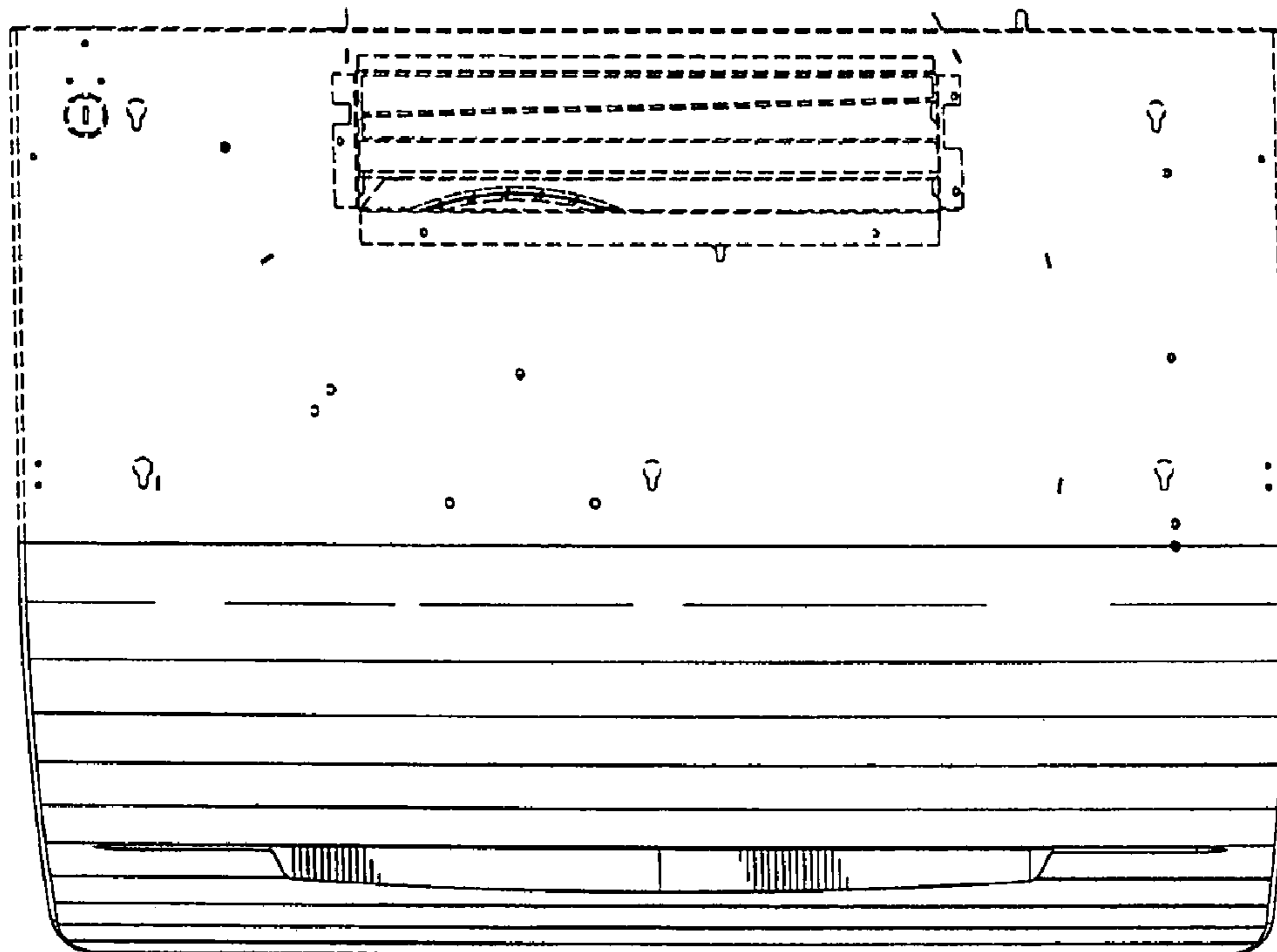
FIG. 9 is a bottom view of the front portion of a kitchen hood of FIG. 1.

The broken line showing of the underside of a kitchen hood is included for the purpose of illustrating environmental structure and forms no part of the claimed design.

* cited by examiner

Primary Examiner—Lisa Lichtenstein

1 Claim, 5 Drawing Sheets



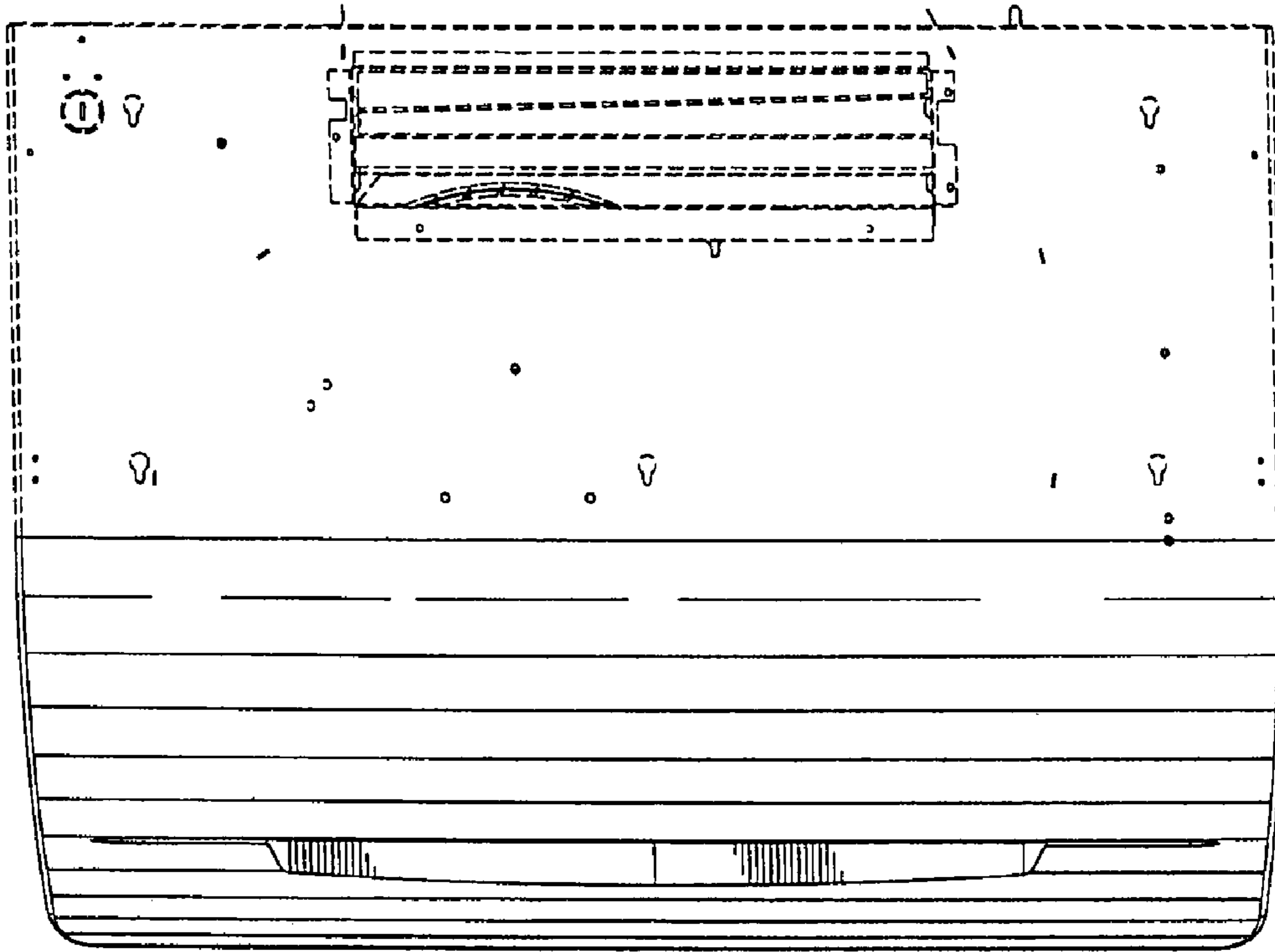


FIG. 1

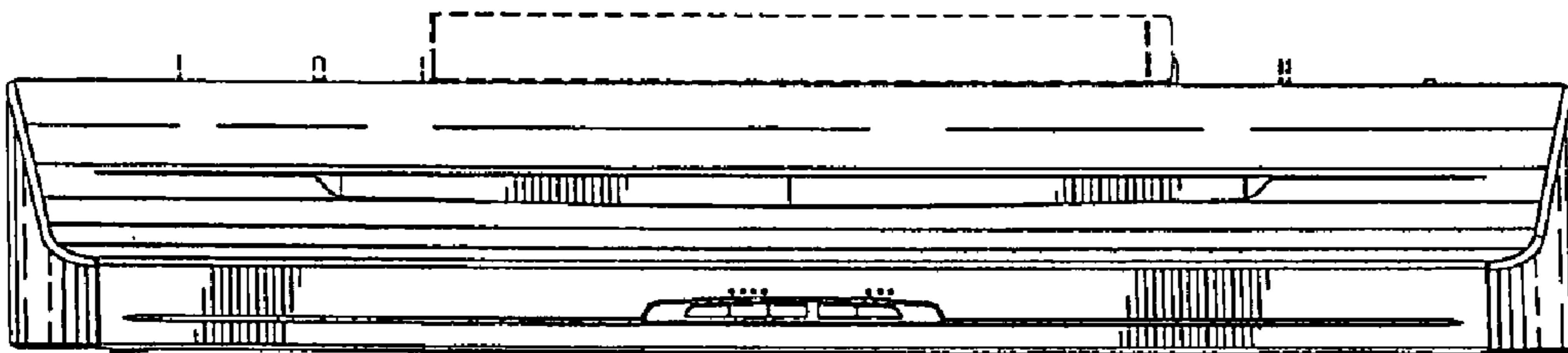


FIG. 2

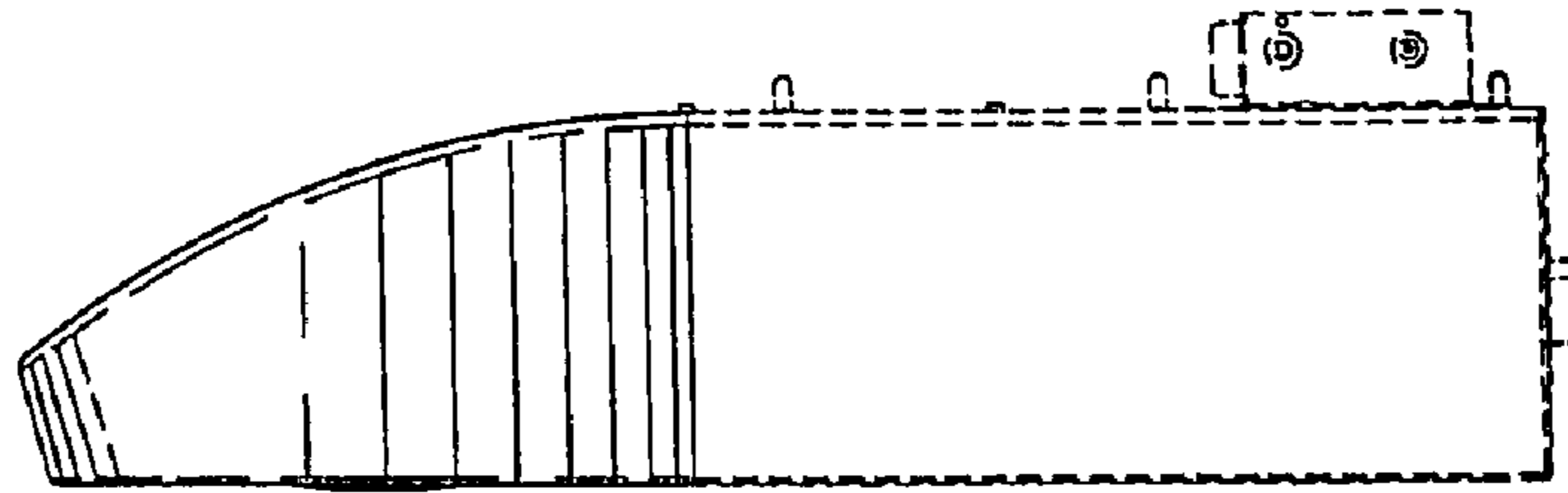


FIG. 3

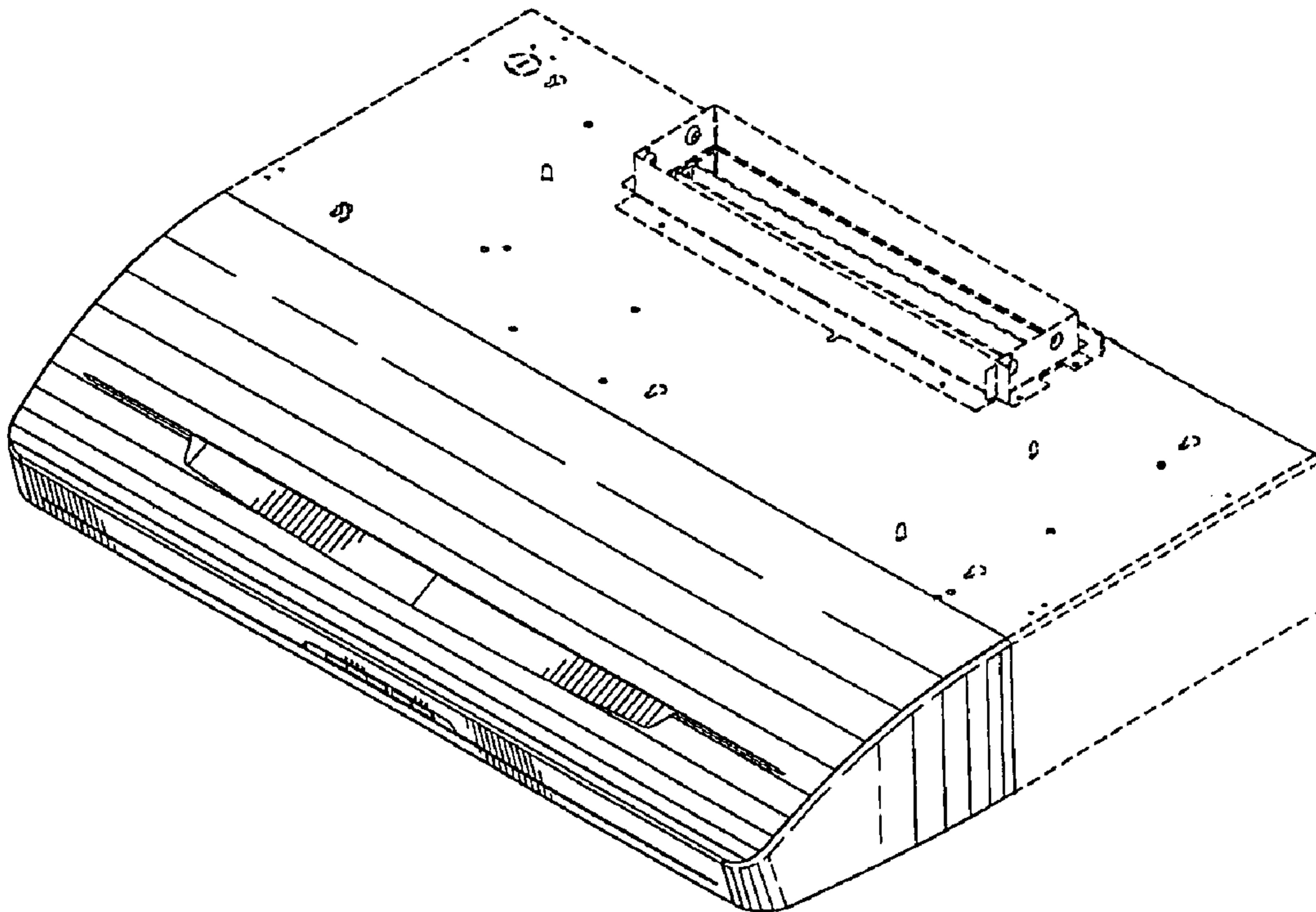


FIG. 4

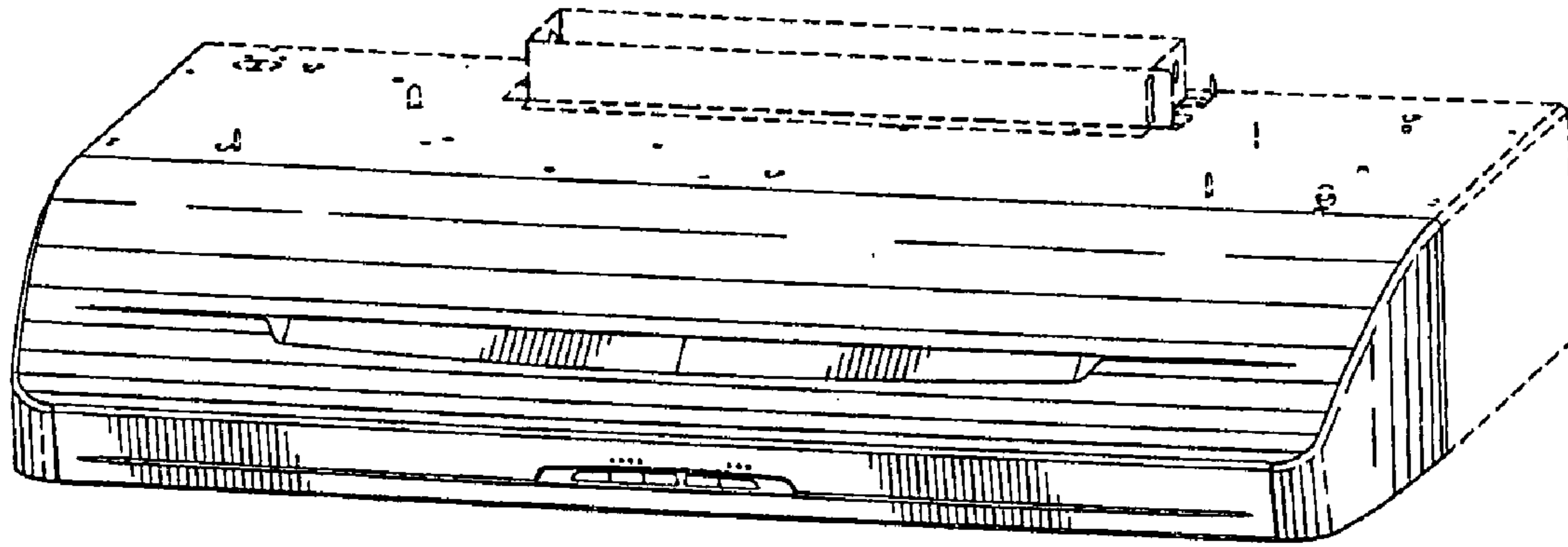


FIG. 5

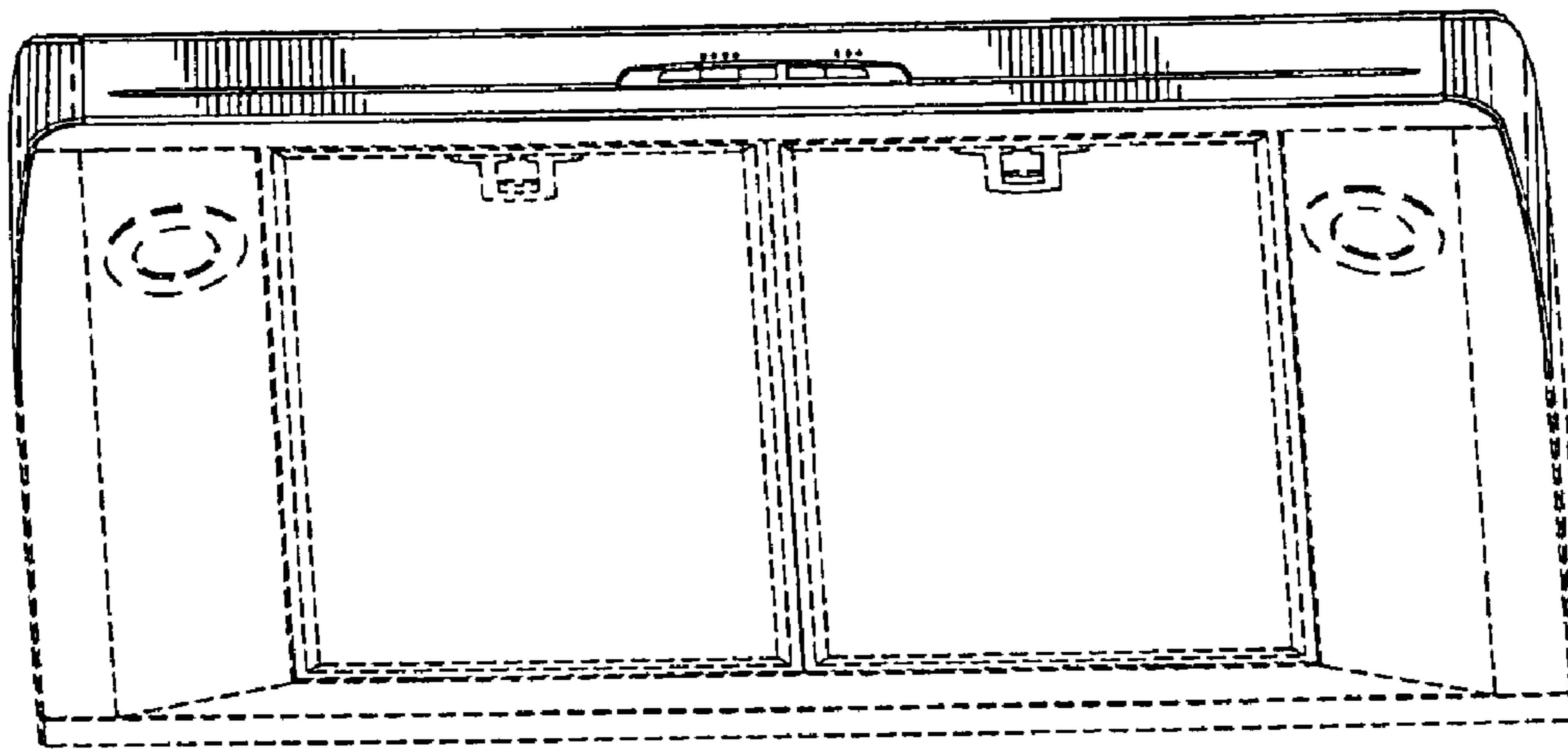


FIG. 6

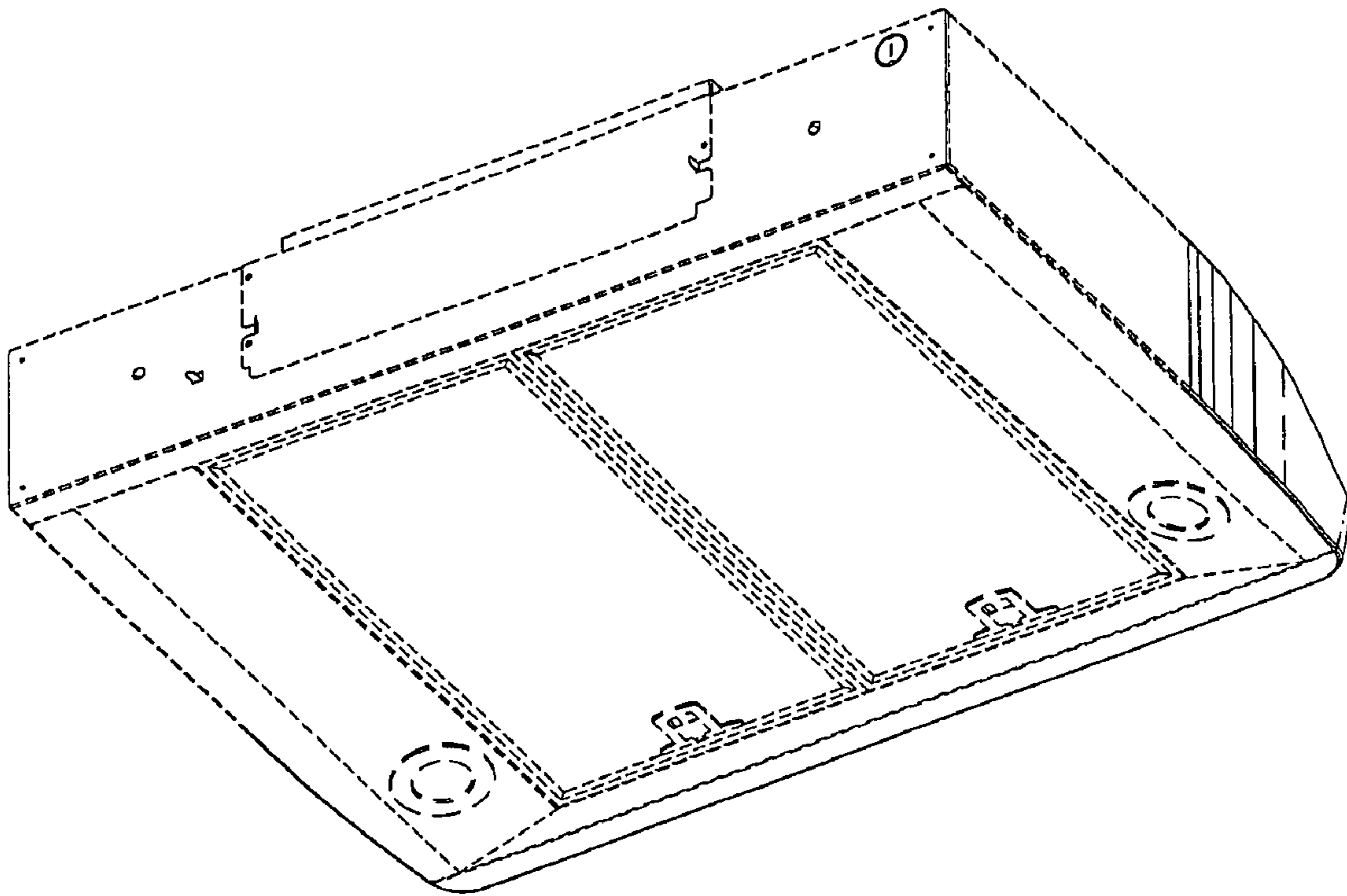


FIG. 7

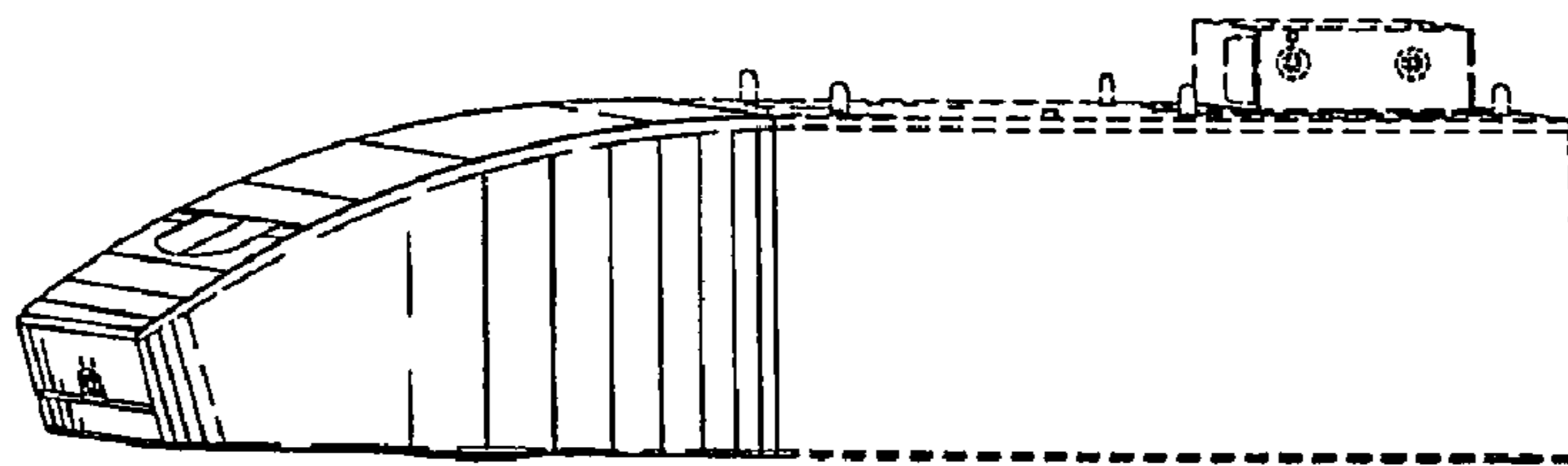


FIG. 8

