



US00D558319S

(12) **United States Design Patent**
Ishiguro

(10) **Patent No.:** **US D558,319 S**

(45) **Date of Patent:** **** Dec. 25, 2007**

(54) **HUMIDIFIER**

(75) Inventor: **Takeshi Ishiguro**, Tokyo (JP)

(73) Assignee: **Idea International Co., Ltd.**, Tokyo (JP)

(**) Term: **14 Years**

(21) Appl. No.: **29/268,182**

(22) Filed: **Nov. 1, 2006**

(51) **LOC (8) Cl.** **23-04**

(52) **U.S. Cl.** **D23/356**

(58) **Field of Classification Search** D23/356,
D23/355, 364, 359, 360, 362, 352, 366, 369,
D23/332, 333, 335, 336, 342; 422/120, 122;
55/356, 473, 504, 313; 210/497.1; 96/97;
D24/110, 110.5, 129, 133, 112; 128/200.12,
128/201.26, 203.23, 206.29, 200.14, 200.21;
361/220-222; 62/509, 507; 131/273, 194;
439/291; D10/83; 524/495; 399/176
See application file for complete search history.

(56) **References Cited**

U.S. PATENT DOCUMENTS

3,129,078	A *	4/1964	Hobbs	55/313
3,558,976	A *	1/1971	Miller et al.	361/222
3,617,805	A *	11/1971	Truax	361/222
3,936,170	A *	2/1976	Shibano et al.	361/221
4,016,455	A *	4/1977	Christiansen	361/222
4,206,958	A *	6/1980	Hall et al.	439/291
4,393,884	A *	7/1983	Jacobs	131/273
4,773,234	A *	9/1988	Kann	62/509
D300,176	S *	3/1989	Wadhwa	D24/110
4,999,733	A *	3/1991	Kakuda	361/221
5,144,962	A *	9/1992	Counts et al.	128/200.14
D338,519	S *	8/1993	Peterson	D23/356
D347,886	S *	6/1994	Bender	D23/366
D350,190	S *	8/1994	Clawson et al.	D24/110
D352,104	S *	11/1994	Clawson et al.	D24/110
5,410,386	A *	4/1995	Swift et al.	361/221
D360,027	S *	7/1995	Psaros	D23/359

D370,422	S *	6/1996	Libby	D10/83
5,713,217	A *	2/1998	Baba	62/509
D401,332	S *	11/1998	Picha et al.	D24/129
5,865,185	A *	2/1999	Collins et al.	128/200.14
D411,294	S *	6/1999	Gutmann	D23/355

(Continued)

Primary Examiner—Ian Simmons
Assistant Examiner—David G Muller
(74) *Attorney, Agent, or Firm*—Wenderoth, Lind & Ponack, L.L.P.

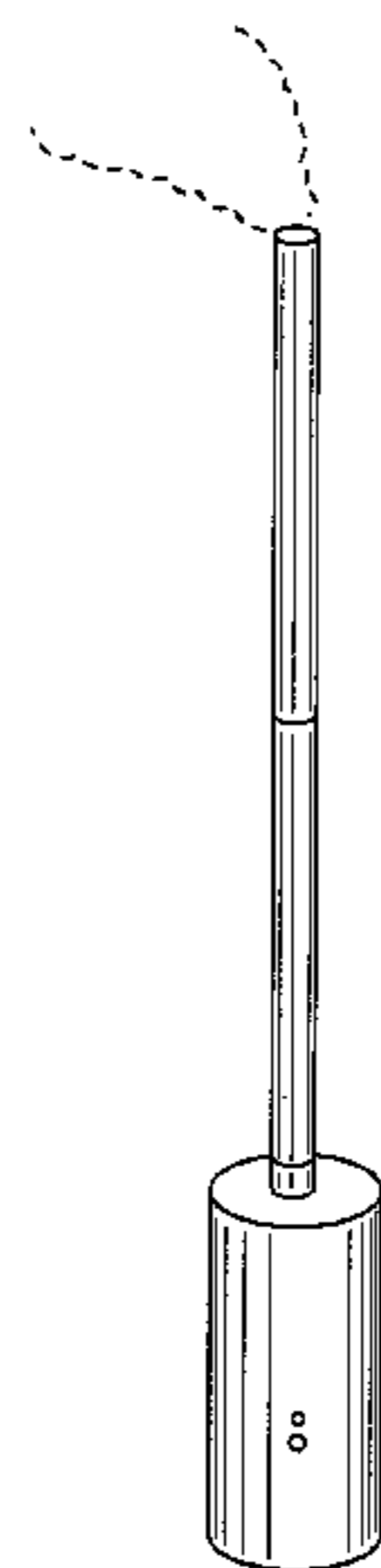
(57) **CLAIM**

The ornamental design for a humidifier, as shown and described.

DESCRIPTION

FIG. 1 is a front view of the humidifier;
FIG. 2 is a rear view of the humidifier of FIG. 1;
FIG. 3 is a right side view of the humidifier of FIG. 1;
FIG. 4 is a left side view of the humidifier of FIG. 1;
FIG. 5 is a top plan view of the humidifier of FIG. 1, shown at a larger scale;
FIG. 6 is a bottom plan view of the humidifier of FIG. 1, shown at a larger scale;
FIG. 7 is an enlarged rear view of the lower portion of the humidifier shown in the encircled area of A—A and B—B lines of FIG. 2;
FIG. 8 is an enlarged cross sectional view of the lower portion of the humidifier taken from section 9—9 in FIG. 6, with the internal parts omitted; and,
FIG. 9 is a perspective view showing the humidifier in use.
The broken line showing of the water vapor emission in FIG. 9 and the internal features of the humidifier in FIG. 8 are included for the purpose of illustrating use and environment and forms no part of the claimed design.

1 Claim, 8 Drawing Sheets



US D558,319 S

Page 2

U.S. PATENT DOCUMENTS

D413,825 S *	9/1999	Storsved	D24/129	6,684,042 B2 *	1/2004	Nagamori et al.	399/176
6,124,395 A *	9/2000	Flenniken et al.	524/495	D492,772 S *	7/2004	Austin	D24/110.6
6,412,494 B1 *	7/2002	Bloom, Jr.	131/273	D531,724 S *	11/2006	Gessert et al.	D24/133
6,598,607 B2 *	7/2003	Adiga et al.	131/194	2004/0184215 A1 *	9/2004	Oh et al.	361/220
D478,165 S *	8/2003	Hechel	D24/112	2005/0229628 A1 *	10/2005	Evans et al.	62/509

* cited by examiner

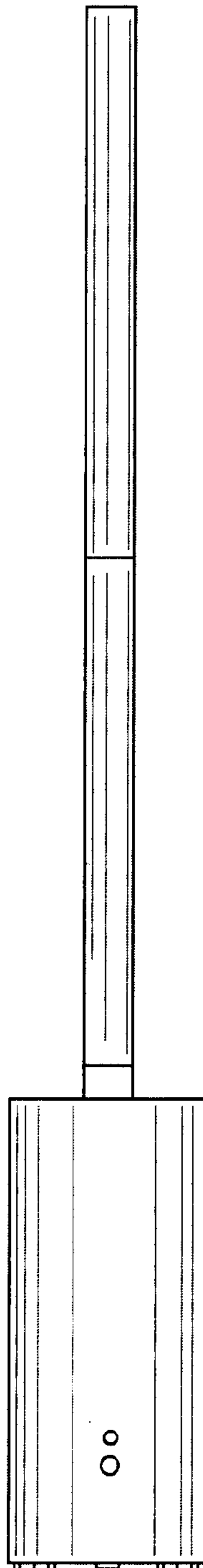


FIG. 1

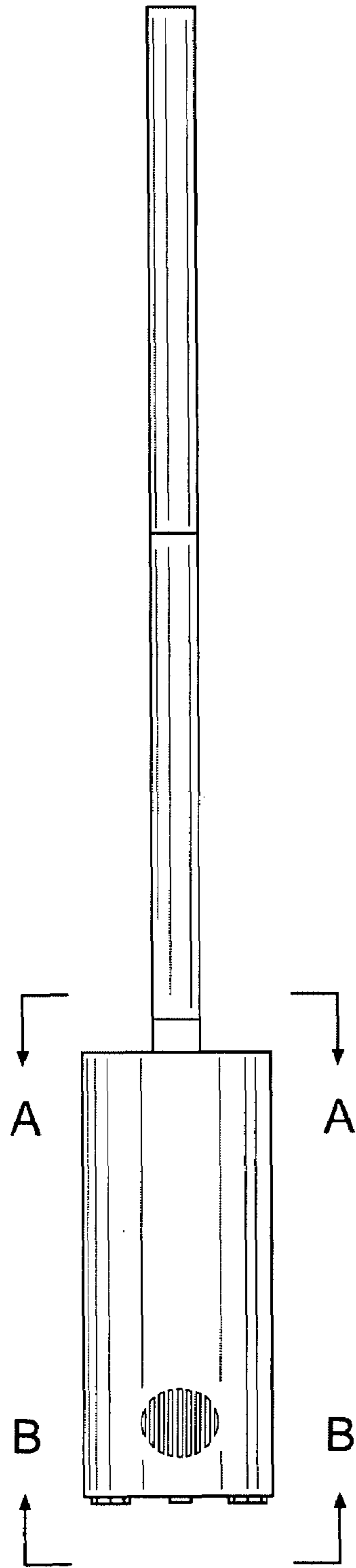


FIG. 2

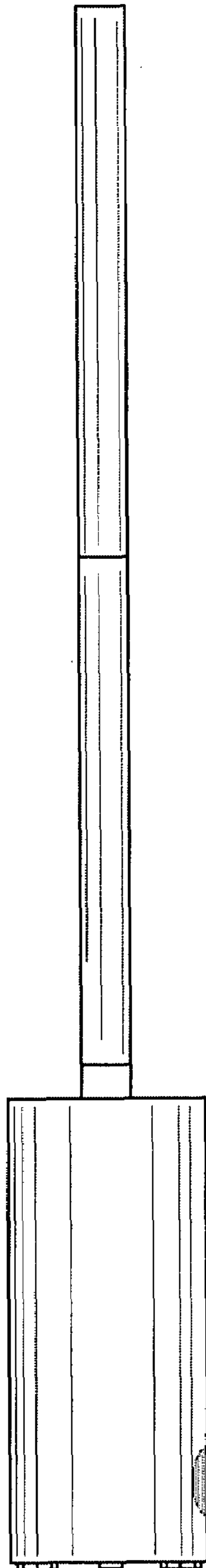


FIG. 3

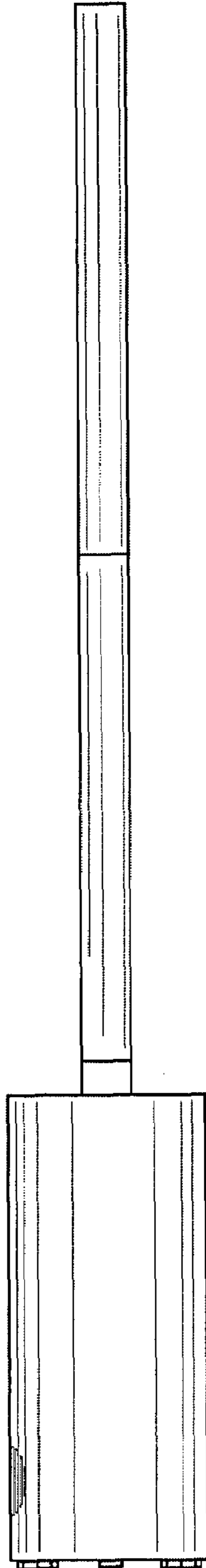


FIG. 4

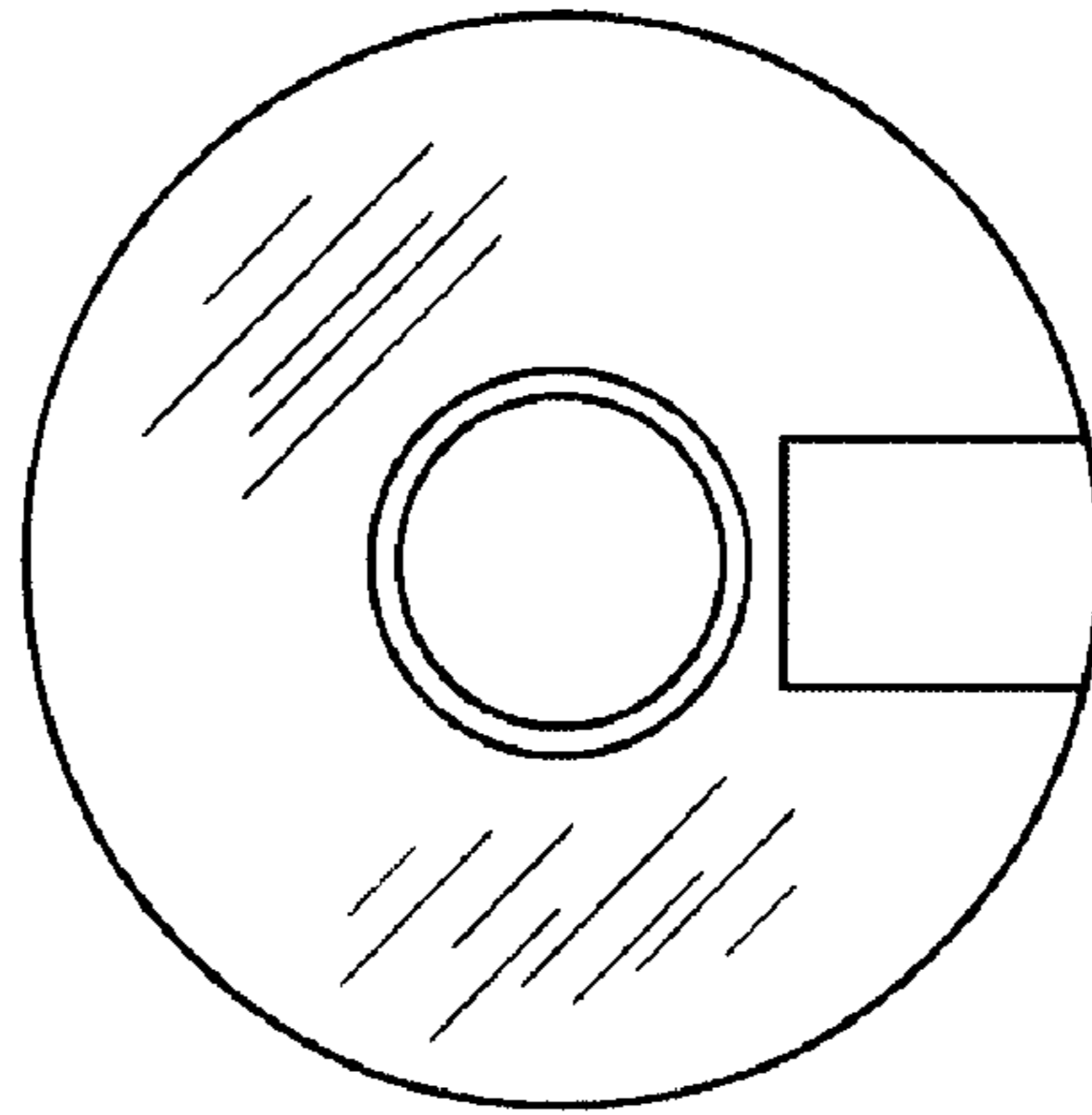


FIG. 5

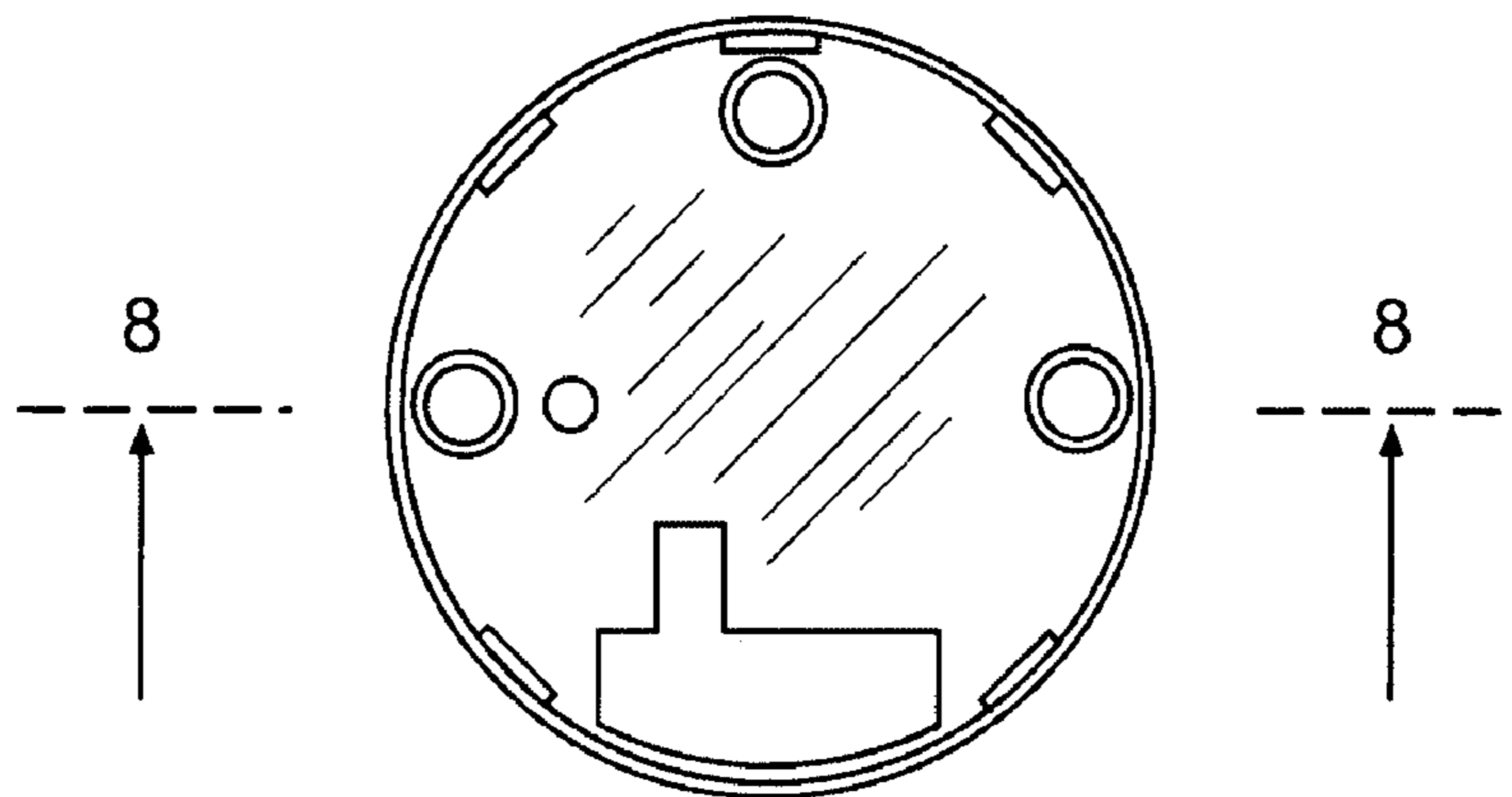


FIG. 6

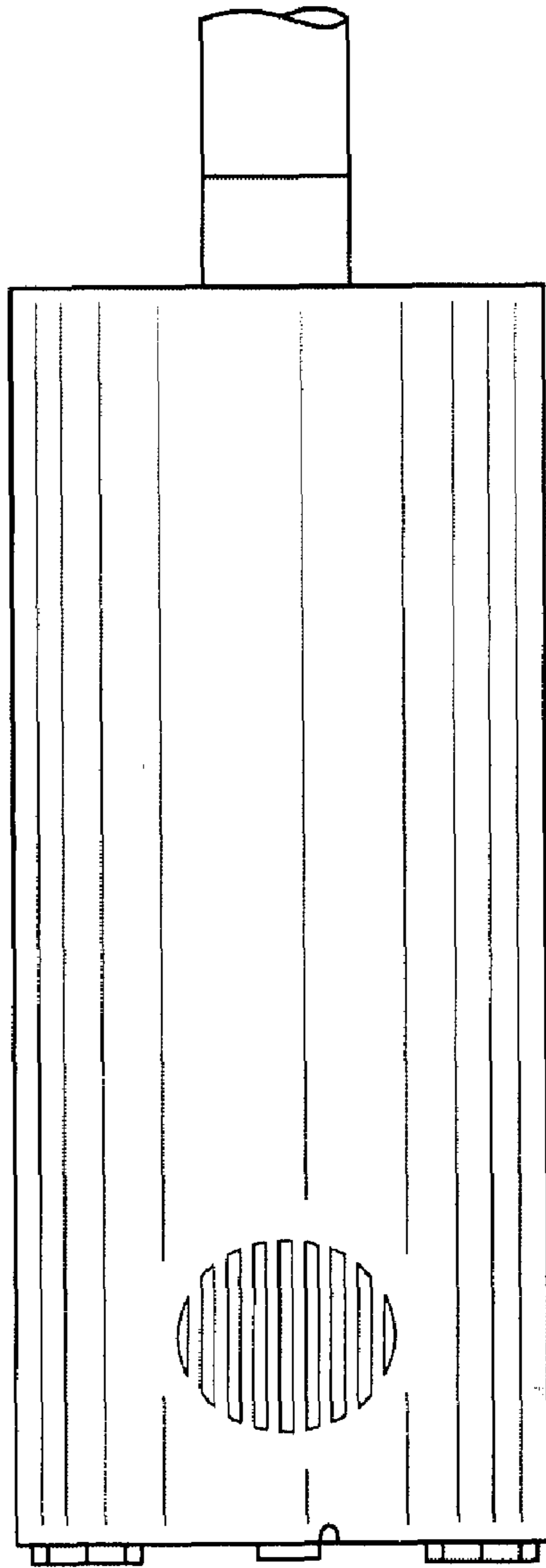


FIG. 7

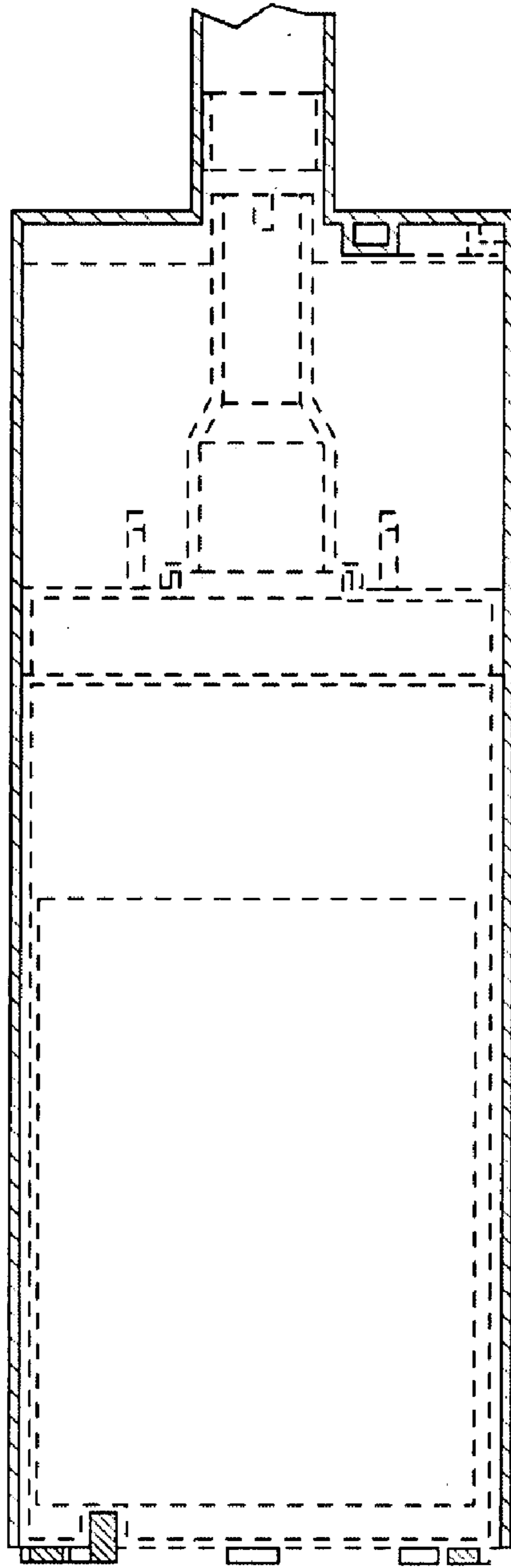


FIG. 8

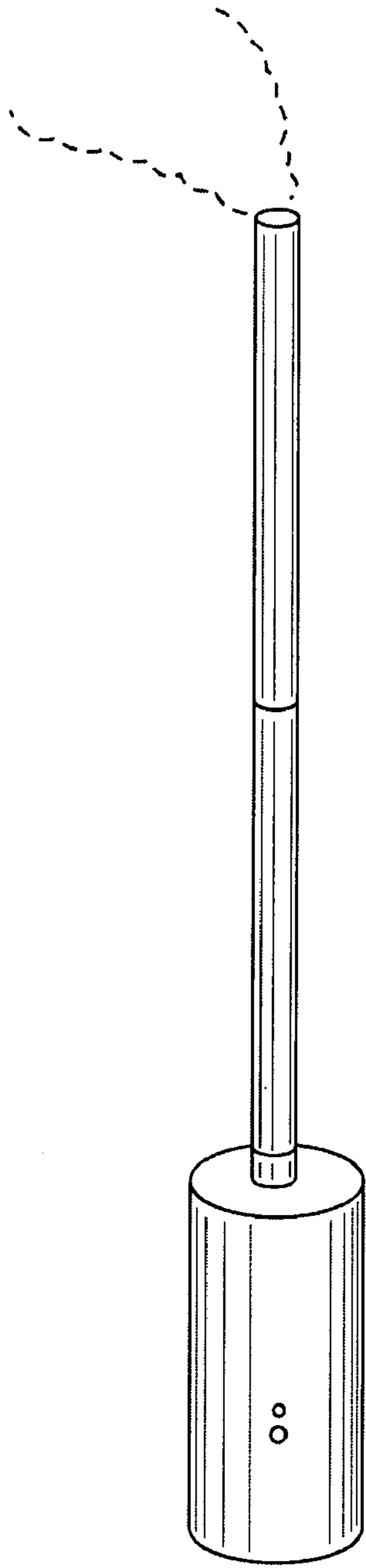


FIG. 9