



US00D558317S

(12) **United States Design Patent**
Francisquini

(10) **Patent No.:** **US D558,317 S**

(45) **Date of Patent:** **** Dec. 25, 2007**

(54) **AIR CONDITIONER FOR ELECTRIC PANELS**

D508,118 S * 8/2005 Motonishi et al. D23/351
D529,594 S * 10/2006 Pruitt D23/351

(76) Inventor: **Melquisedec Francisquini**, Rua Dr. Oscar Monteiro de Barros, 580 apt. 11, Vila Suzana, Sao Paulo (BR)

* cited by examiner

Primary Examiner—Brian N Vinson

(**) Term: **14 Years**

(57) **CLAIM**

(21) Appl. No.: **29/226,942**

I claim the ornamental design for an air conditioner for electric panels, as shown and described.

(22) Filed: **Apr. 4, 2005**

DESCRIPTION

(51) **LOC (8) Cl.** **23-04**

(52) **U.S. Cl.** **D23/351**

(58) **Field of Classification Search** D23/351-354;
62/259.1, 259.4, 262-263, 298; 312/236;
454/201-204

See application file for complete search history.

FIG. 1 is a front perspective view of the air conditioner showing my new design;

FIG. 2 is a back perspective view of the air conditioner of FIG. 1;

FIG. 3 is a front elevation view thereof;

FIG. 4 is a back elevation view thereof;

FIG. 5 is a side view thereof;

FIG. 6 is an opposite side elevation view thereof;

FIG. 7 is a top view thereof; and,

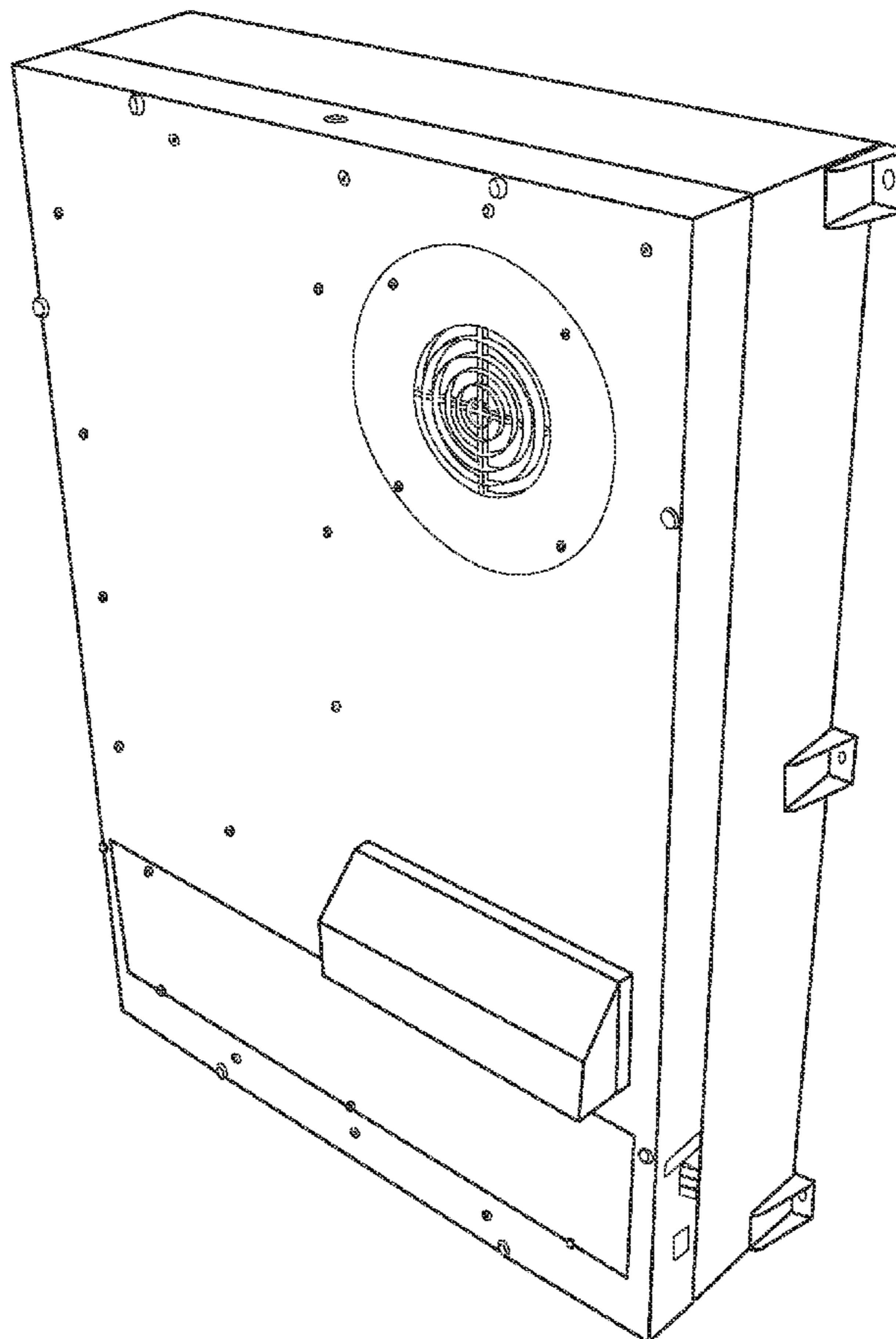
FIG. 8 is a bottom view thereof.

(56) **References Cited**

U.S. PATENT DOCUMENTS

D252,705 S * 8/1979 Fessler D23/351
D278,847 S * 5/1985 Hoyle et al. D23/351
D374,920 S * 10/1996 Muller et al. D23/351
D399,938 S * 10/1998 Miller et al. D23/351
D454,187 S * 3/2002 Wang et al. D23/351

1 Claim, 7 Drawing Sheets



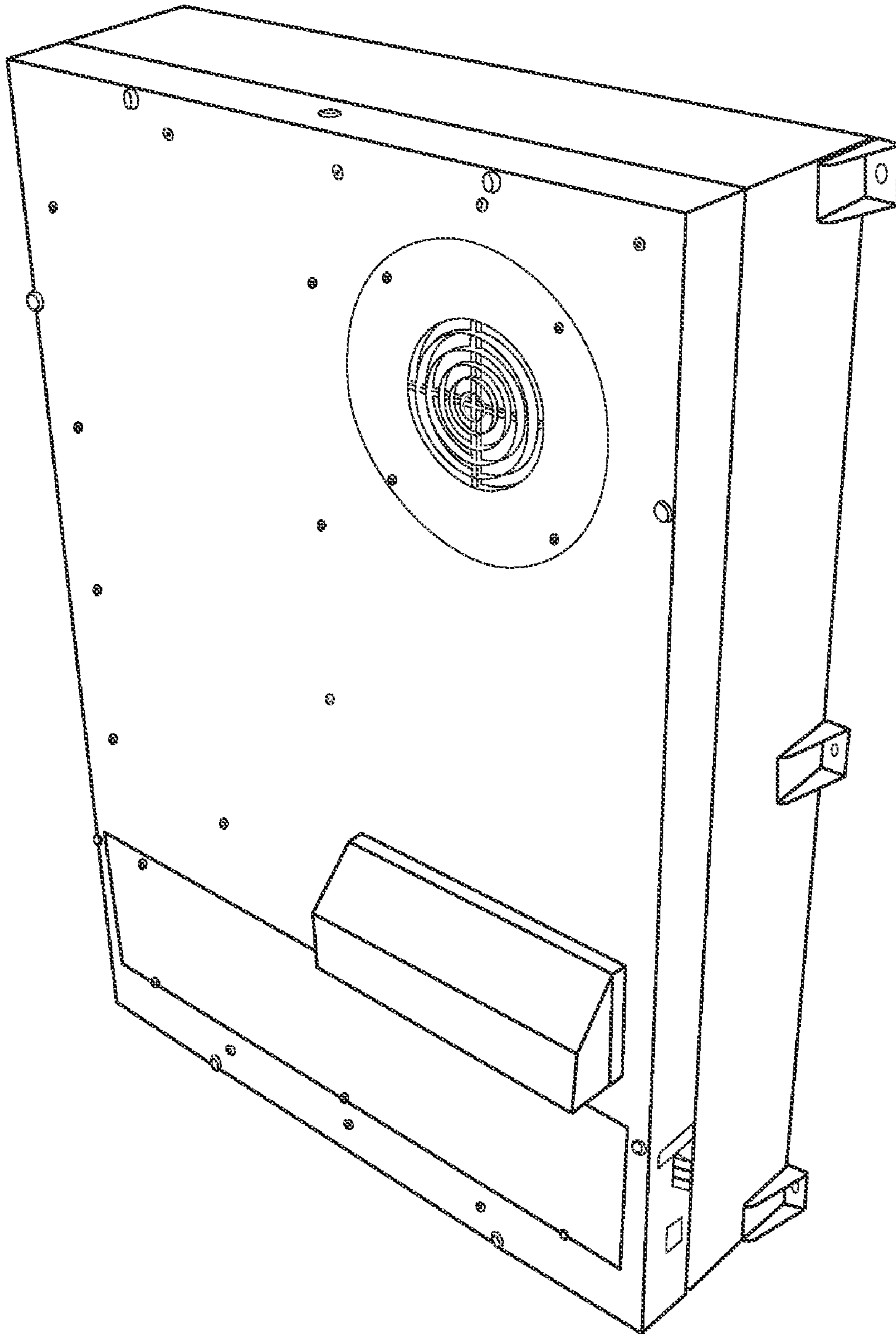


FIG. 1

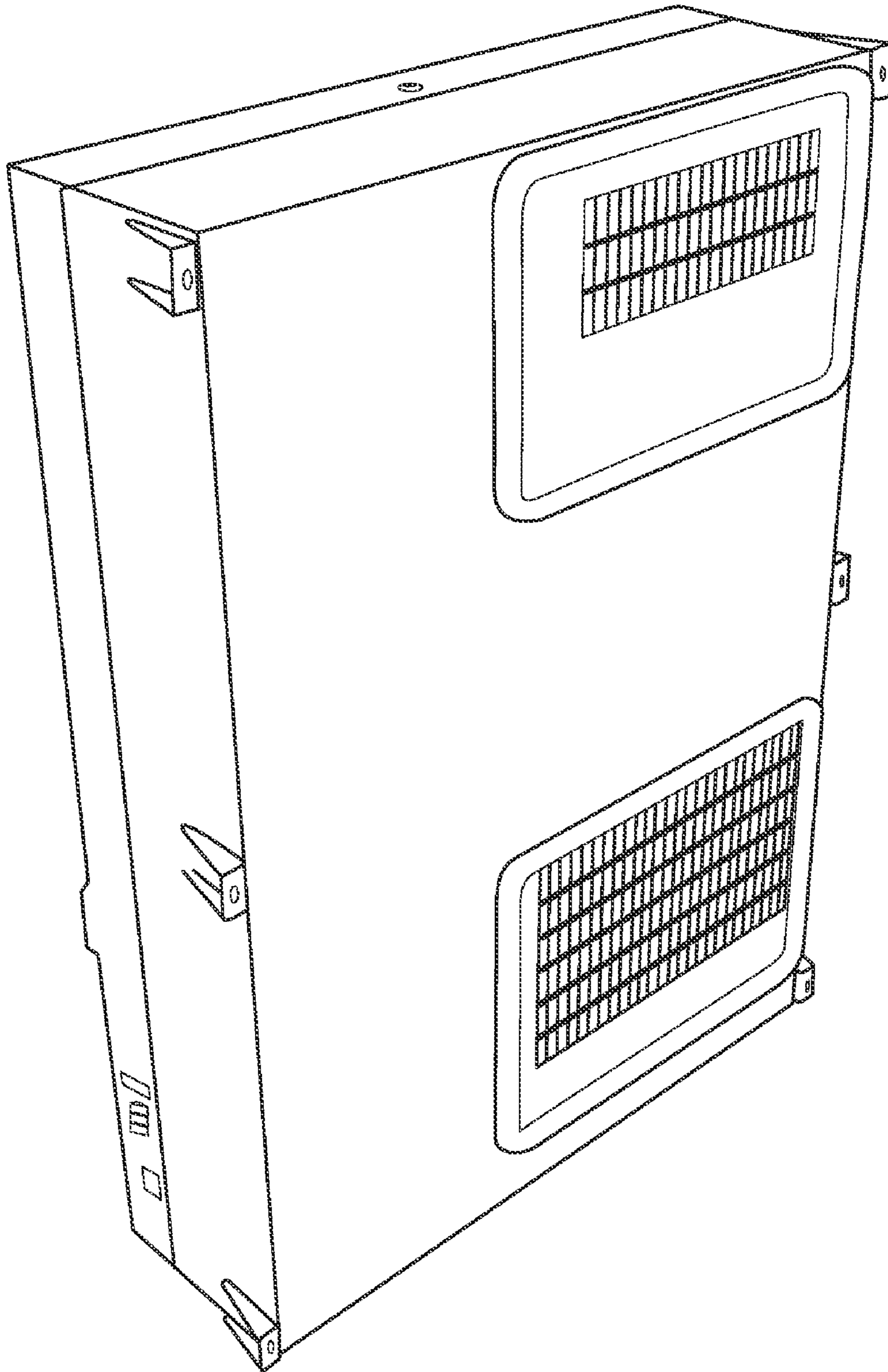


FIG. 2

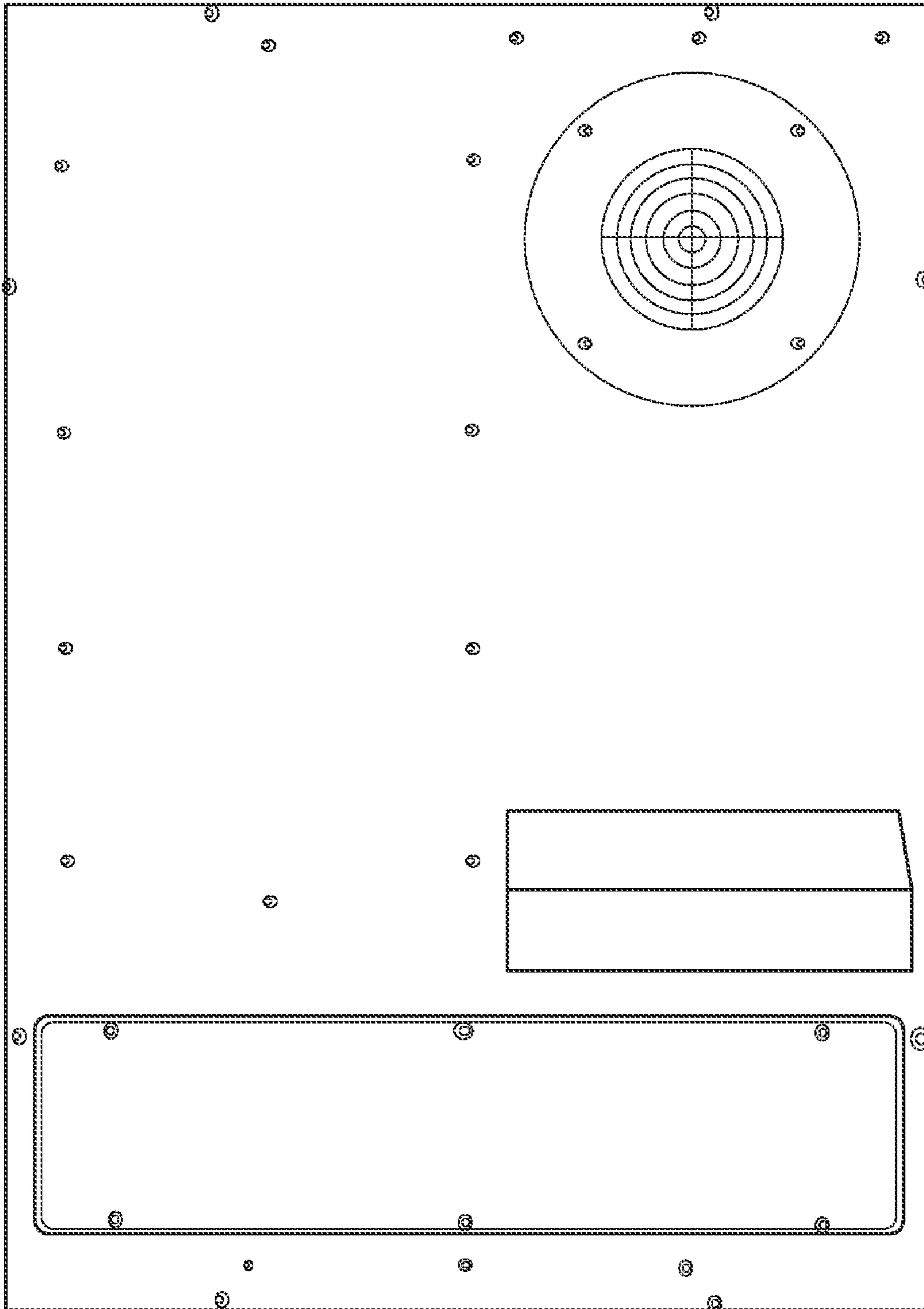


FIG. 3

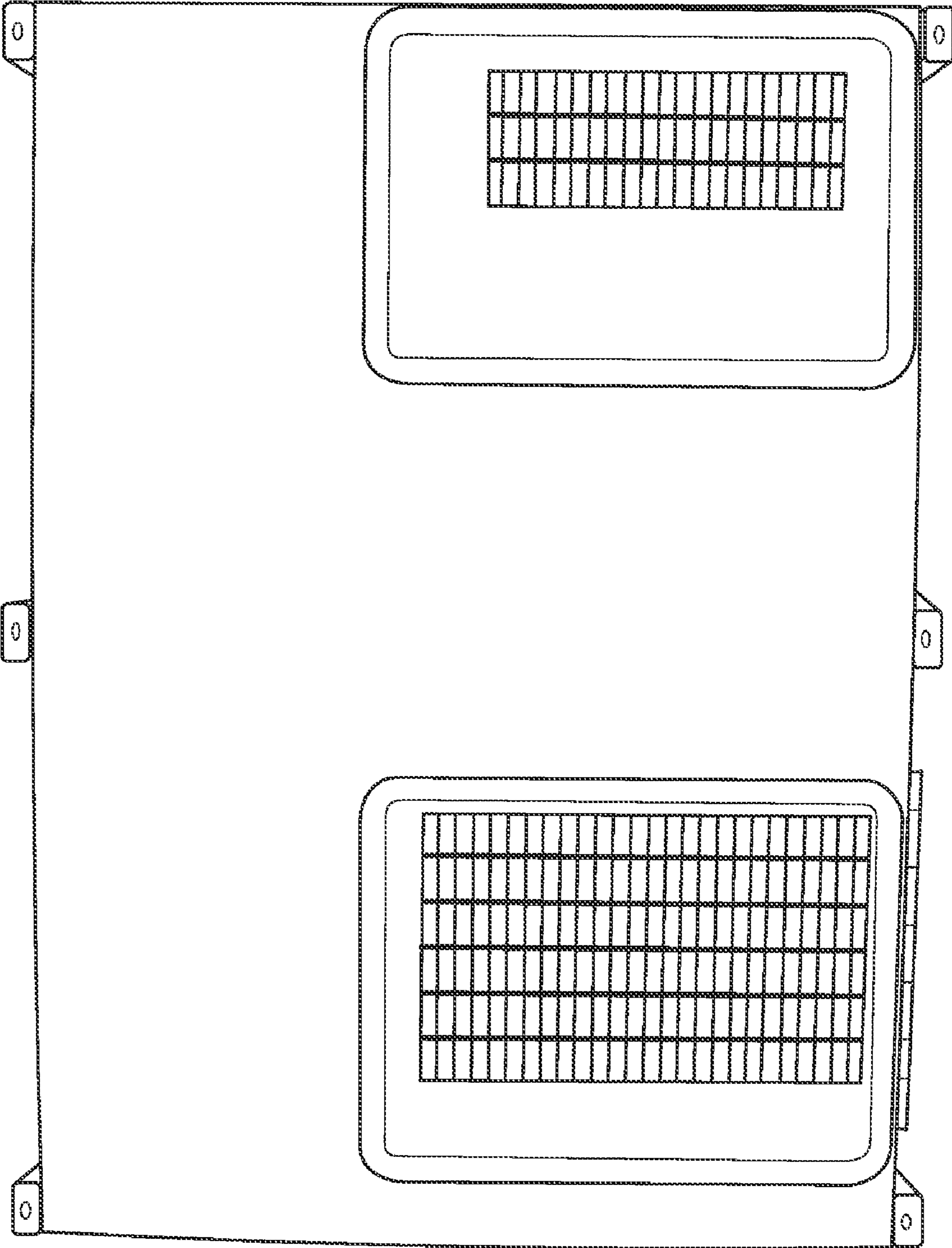


FIG. 4

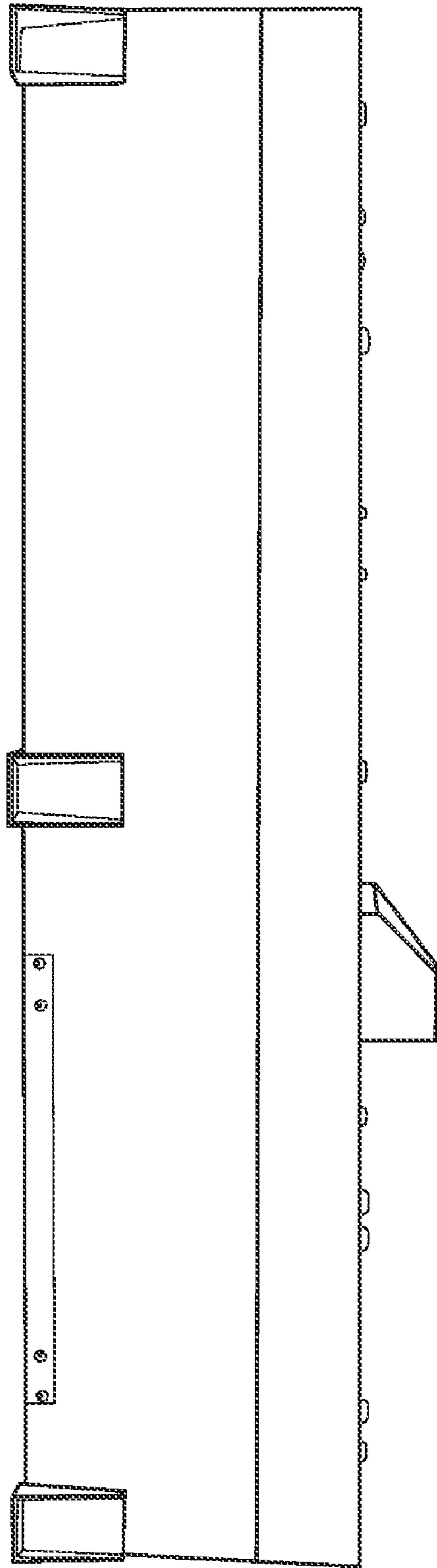


FIG. 5

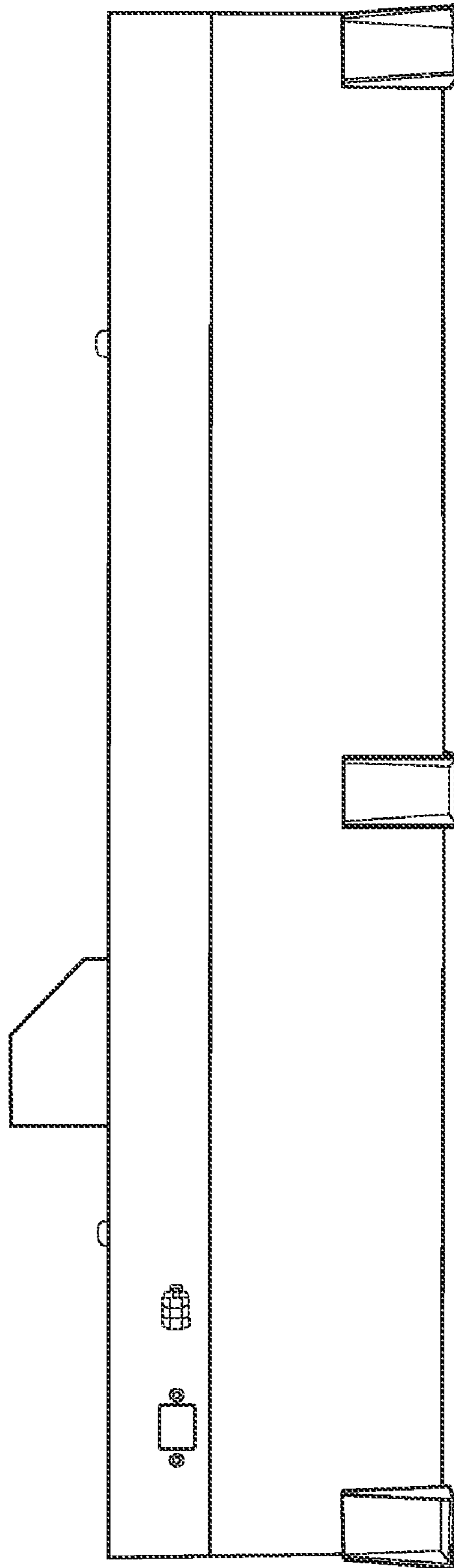


FIG. 6

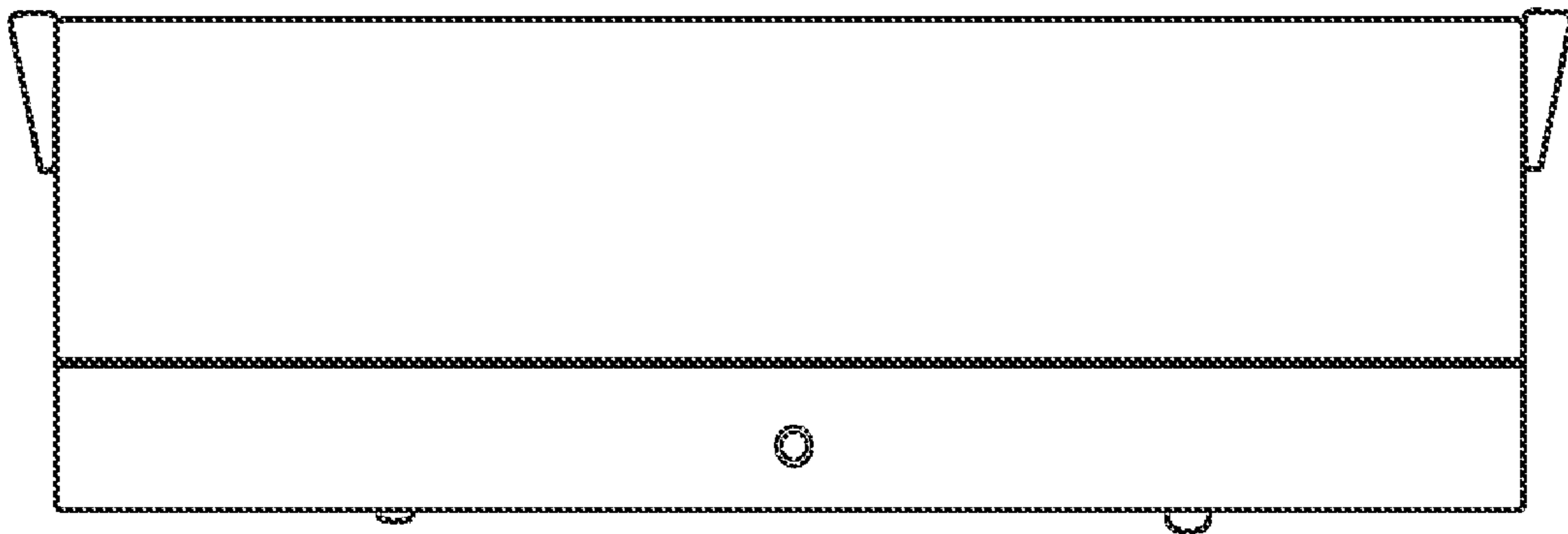


FIG. 7

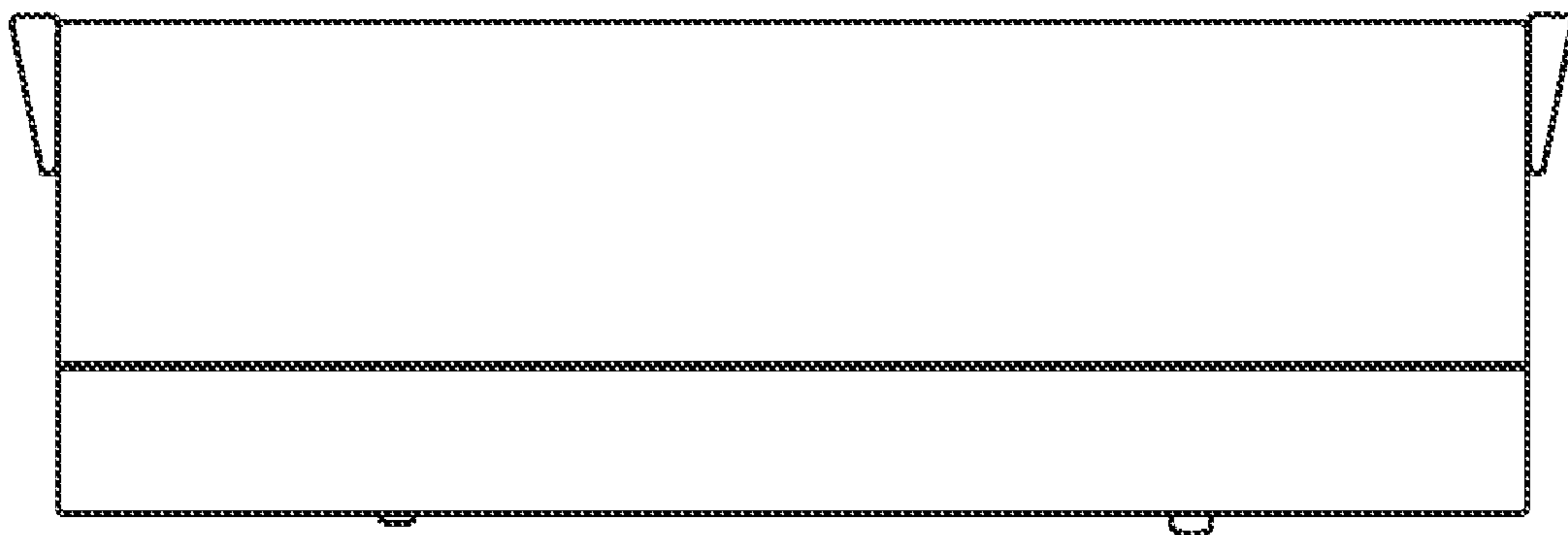


FIG. 8