



US00D558309S

(12) **United States Design Patent**
Gregg

(10) **Patent No.:** **US D558,309 S**

(45) **Date of Patent:** **** Dec. 25, 2007**

(54) **GUTTER COVER**

(75) Inventor: **David Gregg**, Welches, OR (US)

(73) Assignee: **Premier Gutter Cover LLC**,
Clackamas, OR (US)

(**) Term: **14 Years**

(21) Appl. No.: **29/232,460**

(22) Filed: **Jun. 20, 2005**

(51) **LOC (8) Cl.** **23-01**

(52) **U.S. Cl.** **D23/267**

(58) **Field of Classification Search** D23/260–261,
D23/267; D25/119–125, 141; D8/380, 394–395,
D8/371; 52/11–12, 73.21, 302.3; 248/48.1–48.2
See application file for complete search history.

(56) **References Cited**

U.S. PATENT DOCUMENTS

183,519	A	10/1876	Vaile	
189,431	A	4/1877	Creighton	
274,393	A	3/1883	Schaffert	
453,948	A	6/1891	Smith	
474,422	A	5/1892	Stephens	
1,349,264	A	8/1920	Busse	
2,271,081	A	1/1942	Layton	
3,351,206	A	11/1967	Wennerstrom	
3,388,555	A	6/1968	Foster	
3,834,091	A *	9/1974	Dugan	52/12
4,307,976	A	12/1981	Buttler	
4,404,775	A	9/1983	Demartini	
4,411,110	A	10/1983	Carey	
4,435,925	A	3/1984	Jefferys	
4,757,649	A	7/1988	Vahldieck	
4,907,381	A	3/1990	Ealer	
4,965,969	A	10/1990	Antenen	
5,072,551	A	12/1991	Manoogian, Jr.	
5,181,350	A	1/1993	Meckstroth	
5,375,379	A	12/1994	Meckstroth	
5,438,803	A	8/1995	Blizard, Jr.	
5,459,965	A	10/1995	Meckstroth	
5,619,825	A	4/1997	Leroney et al.	
5,893,240	A	4/1999	Ealer et al.	

5,956,904	A	9/1999	Gentry	
D415,296	S	10/1999	Gavin	
D416,079	S *	11/1999	Hallett, II	D23/267
6,151,837	A	11/2000	Ealer, Sr.	
6,536,165	B2	3/2003	Pilcher	
6,688,045	B1	2/2004	Pilcher	
6,883,760	B2 *	4/2005	Seise, Jr.	248/48.1
6,951,077	B1	10/2005	Higginbotham	
2001/0022052	A1	9/2001	Pilcher	
2004/0187394	A1 *	9/2004	Brochu	52/12
2004/0244303	A1 *	12/2004	Seise, Jr.	52/12
2005/0138866	A1 *	6/2005	Kim	52/12
2005/0166465	A1	8/2005	Banks et al.	
2005/0247611	A1 *	11/2005	Groth et al.	210/162

* cited by examiner

Primary Examiner—Ian Simmons

Assistant Examiner—Eric L Goodman

(74) *Attorney, Agent, or Firm*—McKee, Voorhees & Sease, P.L.C.

(57) **CLAIM**

I claim the ornamental design for a gutter cover, as shown and described.

DESCRIPTION

FIG. 1 is a top perspective view of the gutter cover.

FIG. 2 is a top plan view thereof.

FIG. 3 is a front elevational view thereof.

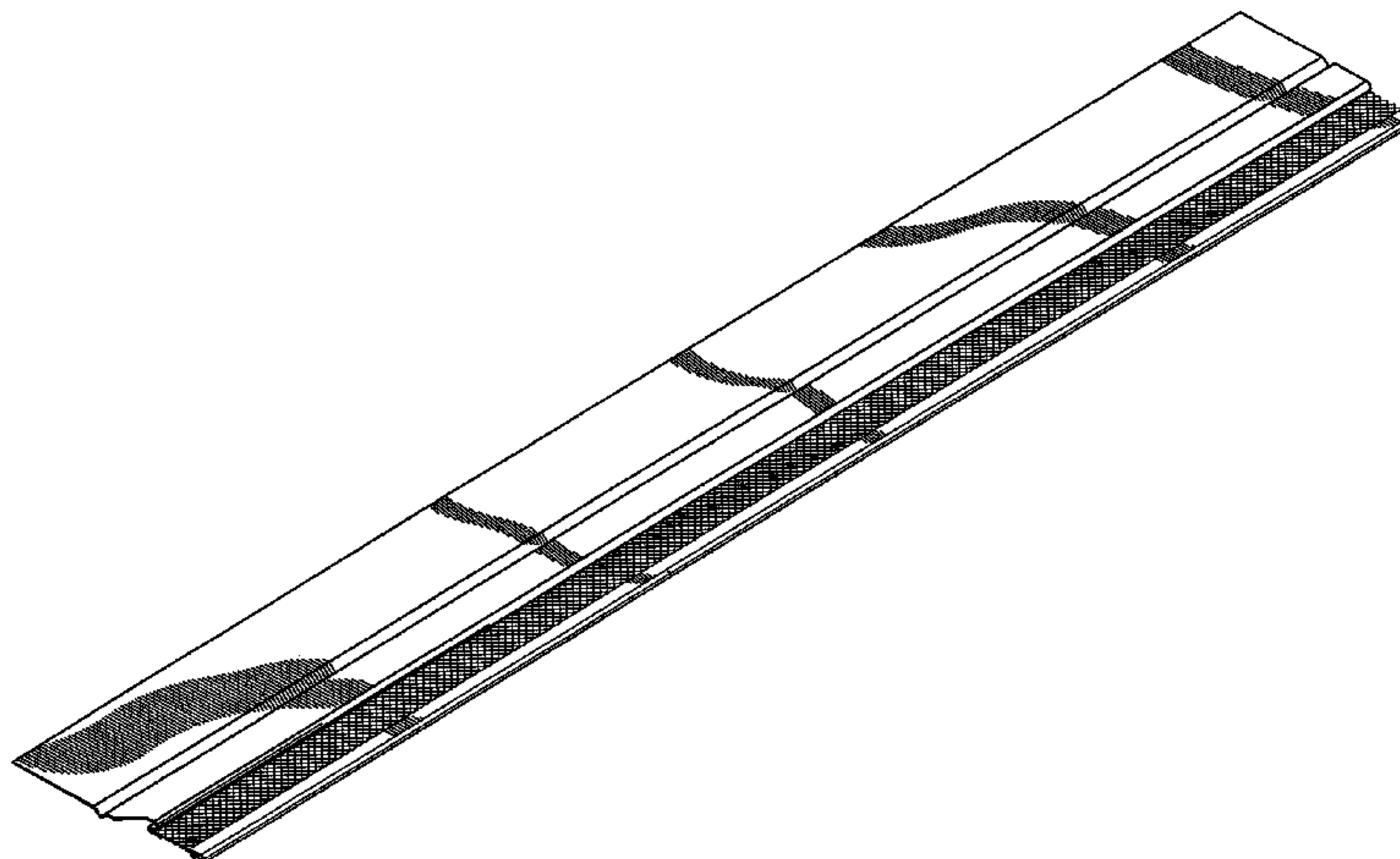
FIG. 4 is an elevational view of the gutter cover taken from the right end of the gutter cover as shown in FIG. 2.

FIG. 5 is a perspective view of an alternate embodiment of the gutter cover; and,

FIG. 6 is a perspective view of the gutter cover of FIG. 5 shown in a position of use on a roof rain gutter. The dash lines showing the rain gutter and roof are for illustrative purposes only, and are not intended to form a portion of the claimed design.

The broken line showing of the rain gutter and roof in FIG. 6 are for the purpose of illustrating environmental structure and forms no part of the claimed design.

1 Claim, 4 Drawing Sheets



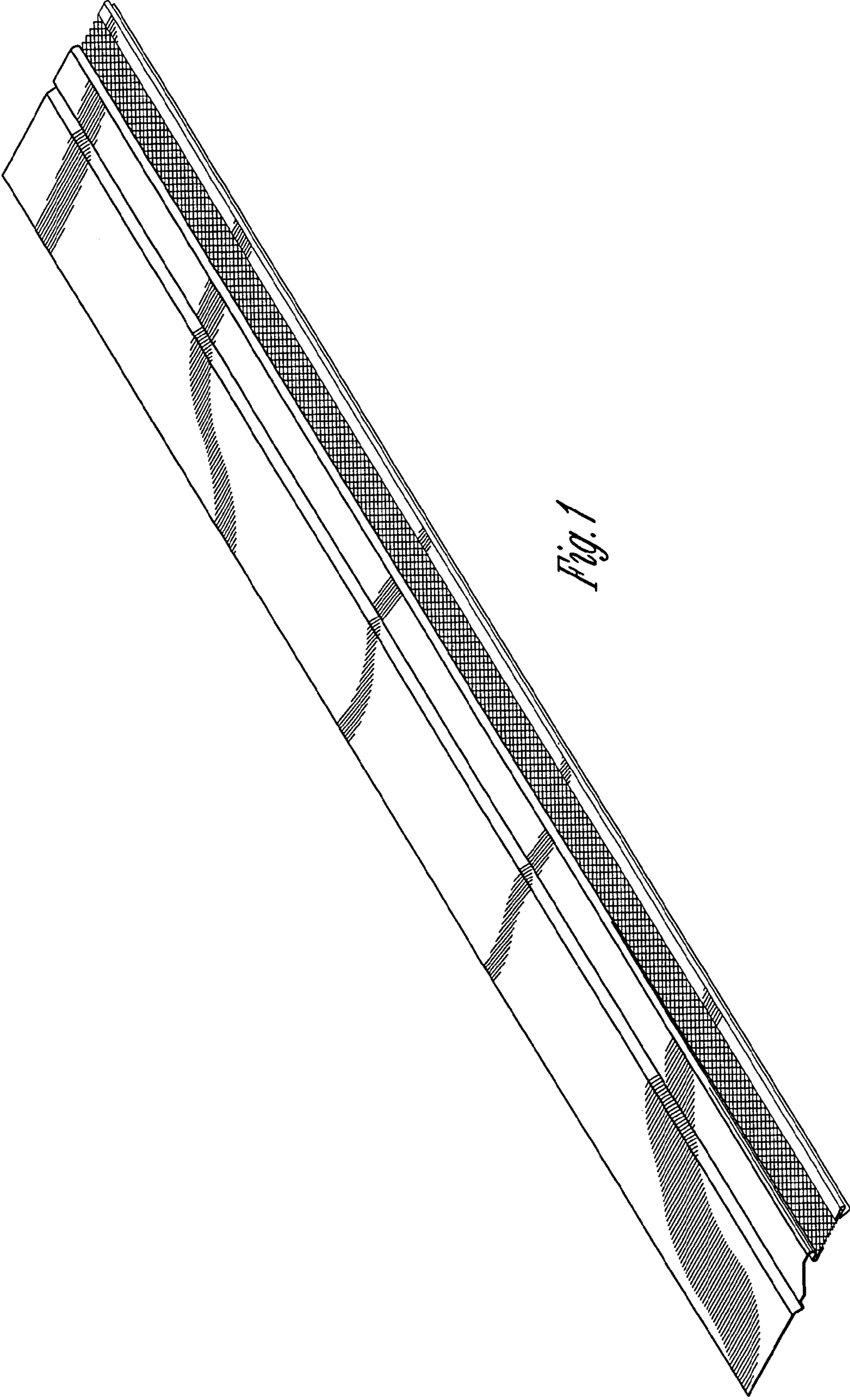


Fig. 1

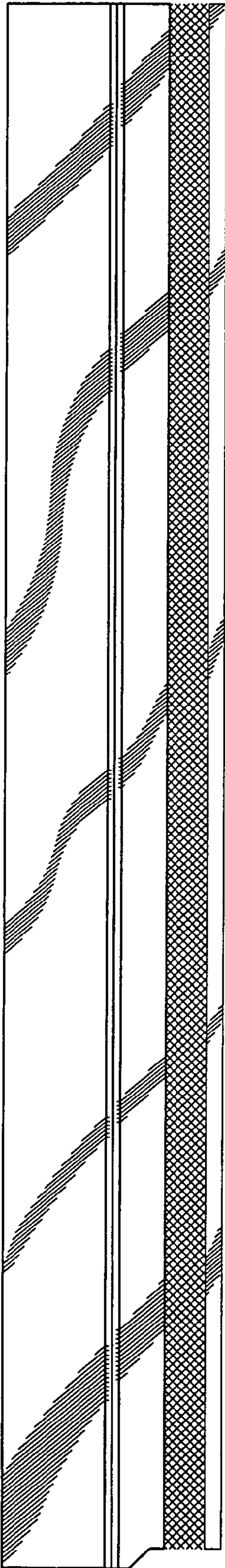


Fig. 2



Fig. 3



Fig. 4

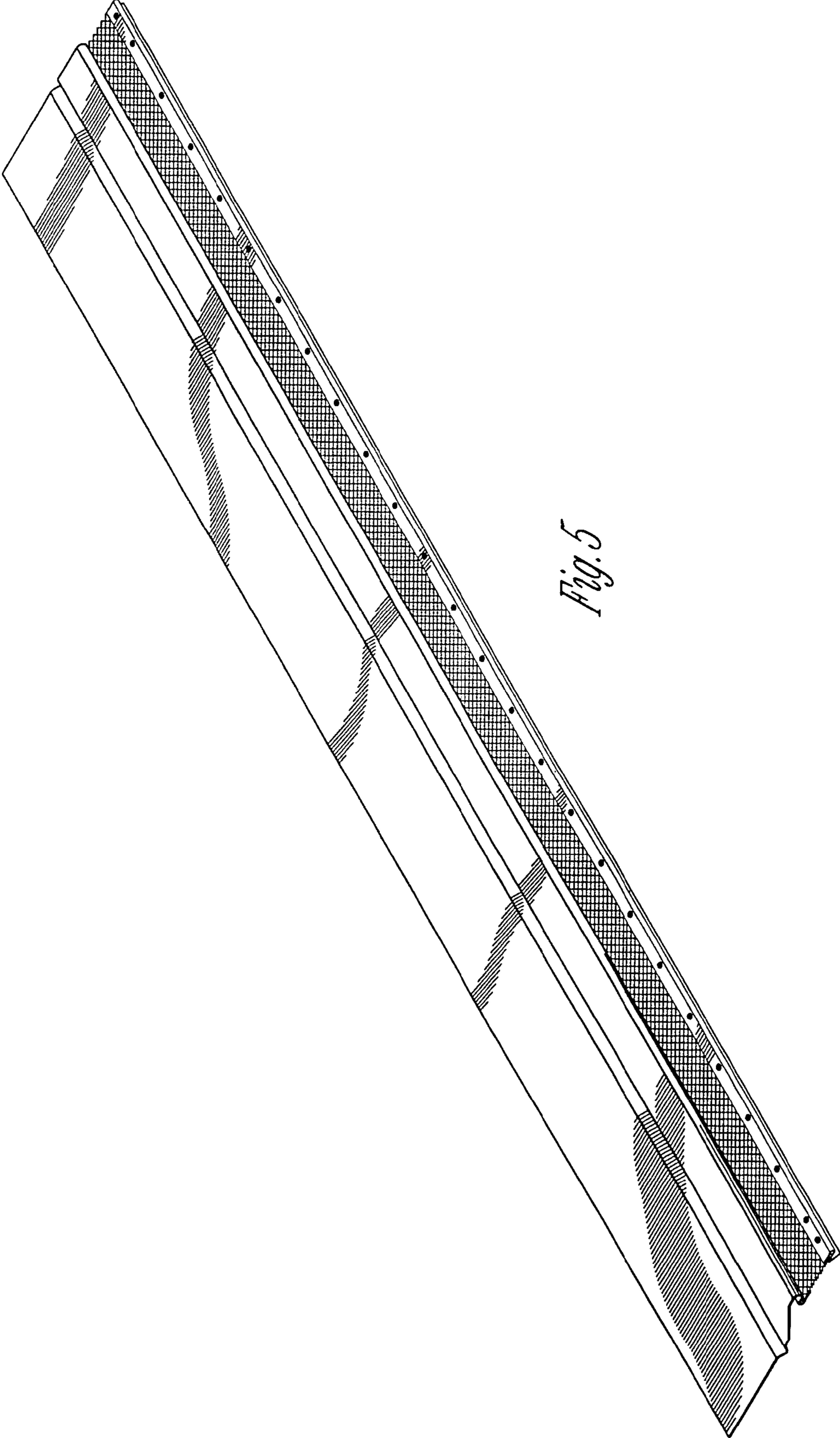


Fig. 5

