



US00D558307S

(12) **United States Design Patent**
Gibb et al.

(10) **Patent No.:** **US D558,307 S**

(45) **Date of Patent:** **** Dec. 25, 2007**

(54) **PIPE COUPLING**

(75) Inventors: **John Gibb**, Beeton (CA); **Douglas R. Dole**, Whitehouse Station, NJ (US); **Michael V. Porter**, Easton, PA (US); **William A. Nagle**, Laureldale, PA (US)

(73) Assignee: **Victaulic Company**, Easton, PA (US)

(**) Term: **14 Years**

(21) Appl. No.: **29/232,362**

(22) Filed: **Jun. 17, 2005**

(51) **LOC (8) Cl.** **23-01**

(52) **U.S. Cl.** **D23/265**

(58) **Field of Classification Search** D23/262–265;
285/1, 53, 104–105, 404, 112, 340, 367, 373,
285/915; 403/300, 291; D8/396; 411/5,
411/10

See application file for complete search history.

(56) **References Cited**

U.S. PATENT DOCUMENTS

1,851,574 A	3/1932	Fiederlein	
1,905,324 A *	4/1933	Waters	285/104
1,930,194 A *	10/1933	Dillon	285/104
2,020,554 A *	11/1935	Johnson	285/383
D142,057 S *	8/1945	Baxter	D23/265
D168,928 S *	3/1953	English	D23/265
2,650,115 A *	8/1953	Taylor	285/105
2,752,173 A	6/1956	Krooss	285/129
3,078,108 A *	2/1963	Smith	285/104
3,695,638 A	10/1972	Blakeley	285/112
4,218,080 A	8/1980	Kendrick	285/347
4,408,788 A *	10/1983	Beukema	285/419
4,417,755 A *	11/1983	Gittleman	285/373
D287,532 S *	12/1986	Jones et al.	D23/265

D298,802 S *	12/1988	Tekirian	D8/396
4,896,902 A *	1/1990	Weston	285/93
4,966,395 A *	10/1990	Hendrickson	285/12
5,058,931 A	10/1991	Bowsher	285/112
5,911,446 A *	6/1999	McLennan et al.	285/104
6,076,861 A	6/2000	Ikeda	285/112
6,312,025 B1 *	11/2001	Wolfsdorf	285/369
6,626,466 B1	9/2003	Dole	285/112
2004/0036291 A1	2/2004	Dole	285/367
2005/0242585 A1 *	11/2005	Dole et al.	285/367

OTHER PUBLICATIONS

Asian Sources Hardwares (Apr. 2005), p. 187.

* cited by examiner

Primary Examiner—Ian Simmons

Assistant Examiner—Eric L Goodman

(74) *Attorney, Agent, or Firm*—Synnestvedt & Lecher LLP

(57) **CLAIM**

The ornamental design for a pipe coupling, as shown and described.

DESCRIPTION

FIG. 1 is a perspective view of our design for a pipe coupling;

FIG. 2 is an end view of the pipe coupling thereof, the opposite end view being identical thereto;

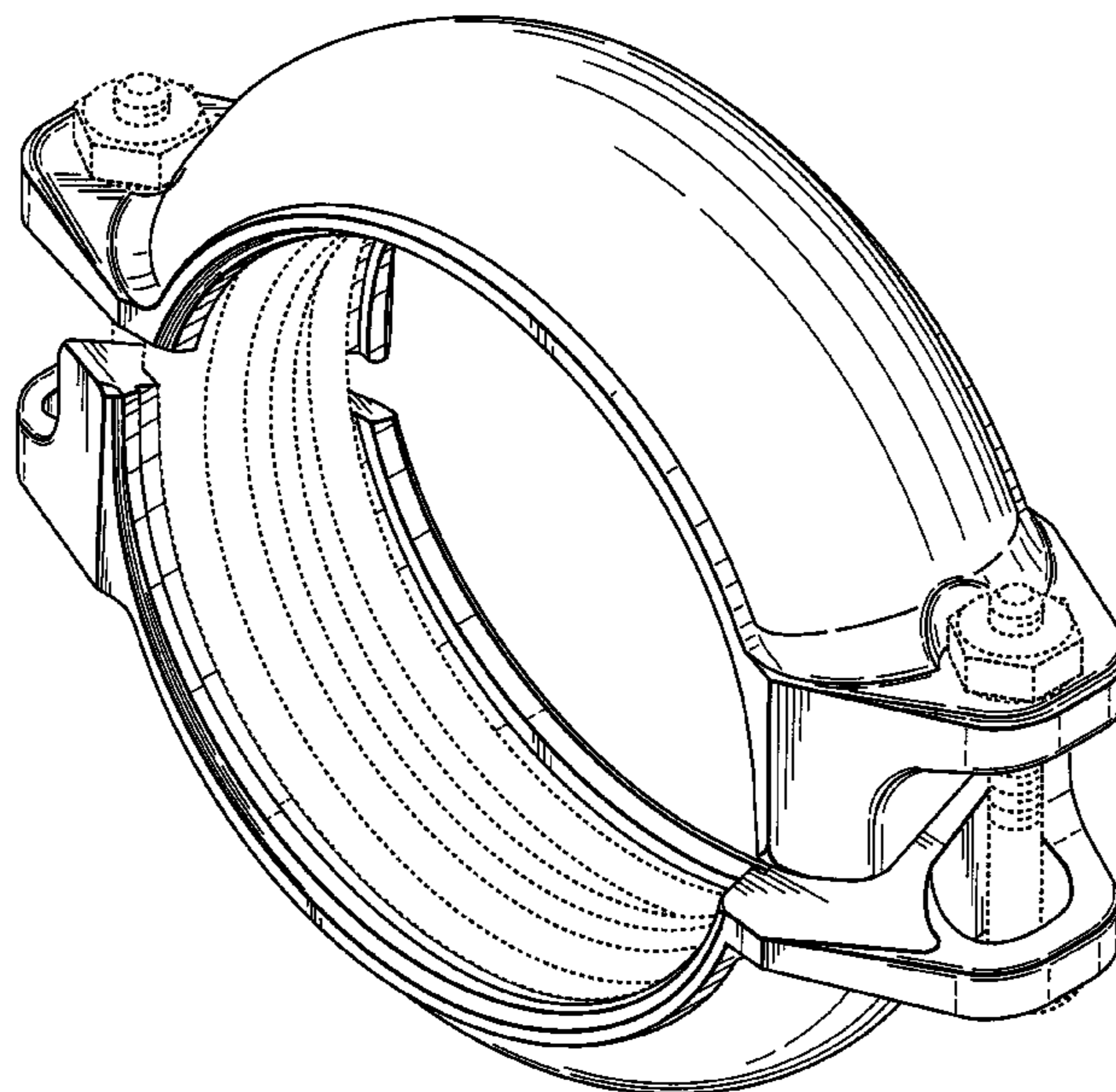
FIG. 3 is a side view of the pipe coupling thereof, the opposite side view being identical thereto;

FIG. 4 is a top view of the pipe coupling thereof; and,

FIG. 5 is a bottom view of the pipe coupling thereof.

The broken lines shown in FIGS. 1–5 are shown for illustrative purposes only and form no part of the claimed design.

1 Claim, 3 Drawing Sheets



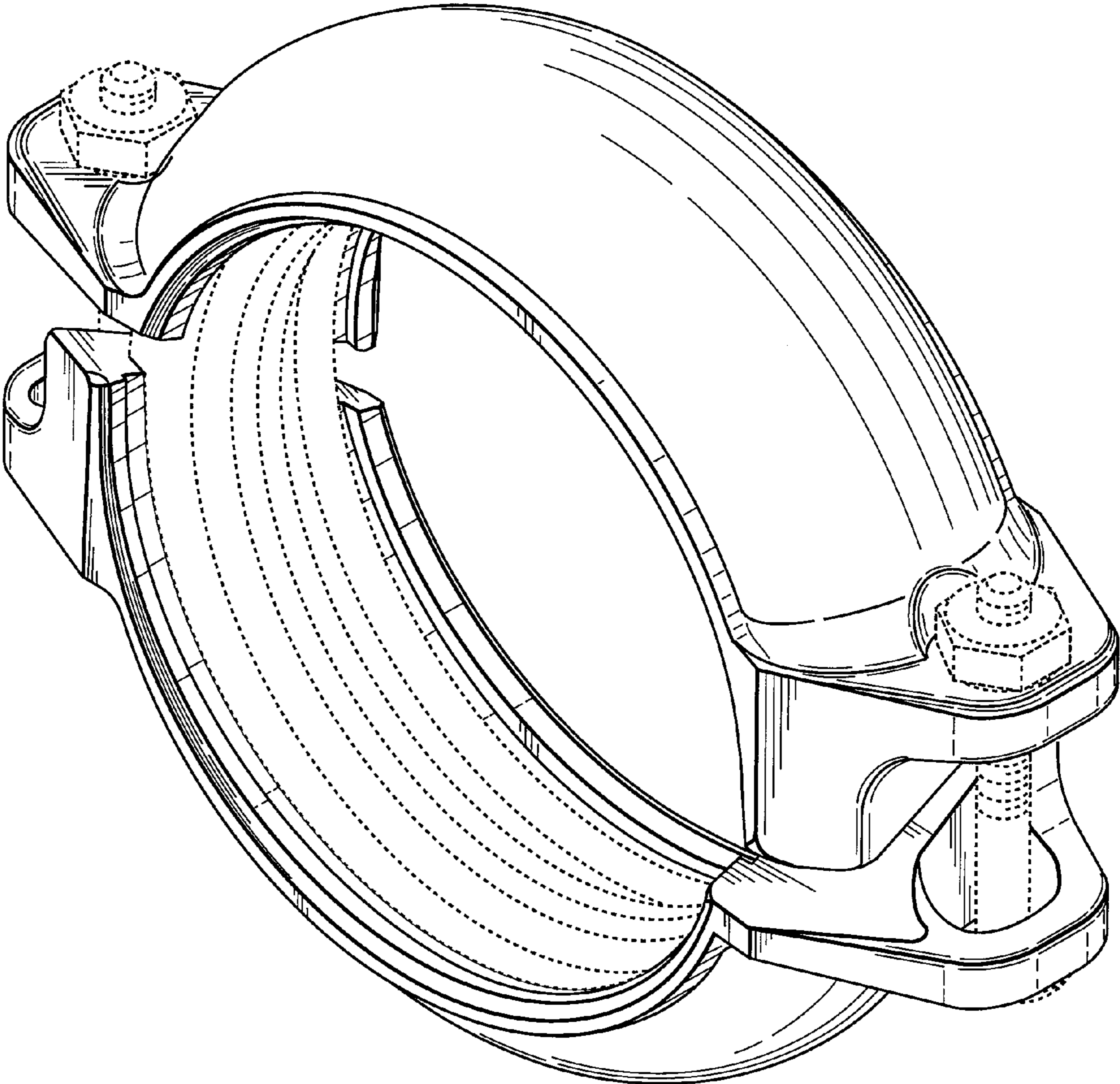


FIG. 1

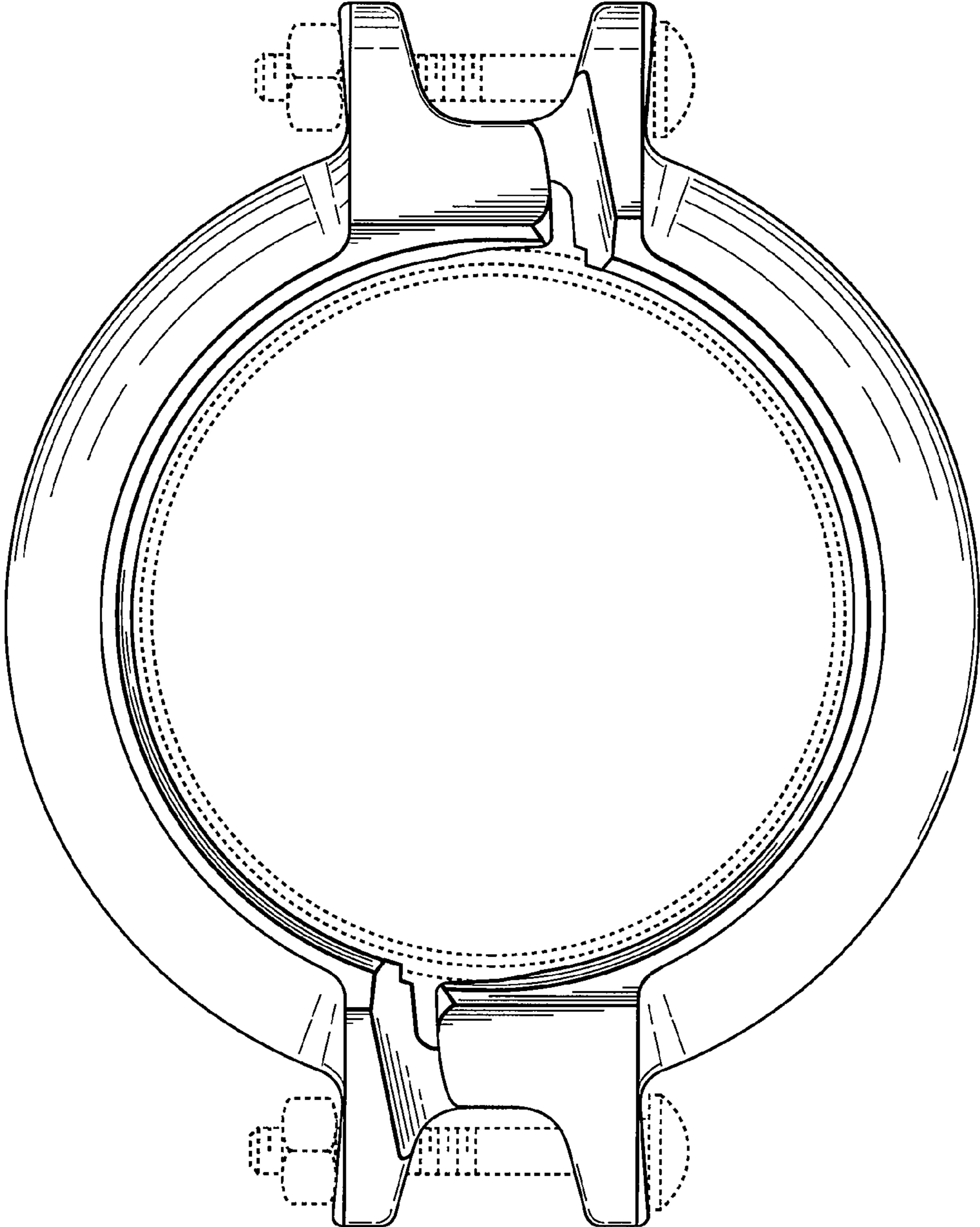


FIG. 2

