



US00D558305S

(12) **United States Design Patent**
Dill et al.

(10) **Patent No.:** **US D558,305 S**

(45) **Date of Patent:** **** Dec. 25, 2007**

(54) **POOL DECK DRAIN**

(75) Inventors: **Jimmy Lee Dill**, Weatherford, TX
(US); **Tariq Mahmood Malik**, Batavia,
IL (US)

(73) Assignee: **W.R. Meadows, Inc.**, Hampshire, IL
(US)

(**) Term: **14 Years**

(21) Appl. No.: **29/243,192**

(22) Filed: **Nov. 21, 2005**

(51) **LOC (8) Cl.** **23-01**

(52) **U.S. Cl.** **D23/261**

(58) **Field of Classification Search** D23/259-261,
D23/267; D25/119, 122; 4/286-287, 292,
4/510; 52/11-12, 302.3; 404/2, 4; 405/118-119;
210/164

See application file for complete search history.

(56) **References Cited**

U.S. PATENT DOCUMENTS

3,876,322	A *	4/1975	Deason	404/2
3,911,508	A *	10/1975	Goldberg	4/287
4,621,939	A *	11/1986	Thomann et al.	404/4
5,066,165	A *	11/1991	Wofford et al.	405/119
D326,140	S *	5/1992	Dekel	D23/267
5,454,663	A *	10/1995	Stegmeier	404/2
D373,181	S *	8/1996	Howard	D23/261

D377,389	S *	1/1997	Phillips et al.	D23/261
5,613,804	A *	3/1997	Beamer	405/119
5,853,265	A *	12/1998	Gunter	405/118
5,890,839	A *	4/1999	Gunter	405/119
6,000,881	A *	12/1999	Becker et al.	405/119
D419,693	S *	1/2000	Hersh et al.	D25/119
D466,596	S *	12/2002	Stegmeier et al.	D23/267
6,729,795	B2 *	5/2004	Dahowski et al.	404/4
2003/0082009	A1 *	5/2003	Humphries et al.	405/118
2003/0111397	A1 *	6/2003	Stegmeier et al.	210/164

* cited by examiner

Primary Examiner—Ian Simmons

Assistant Examiner—Eric L Goodman

(74) *Attorney, Agent, or Firm*—Barnes & Thornburg LLP;
Glenn W. Ohlson

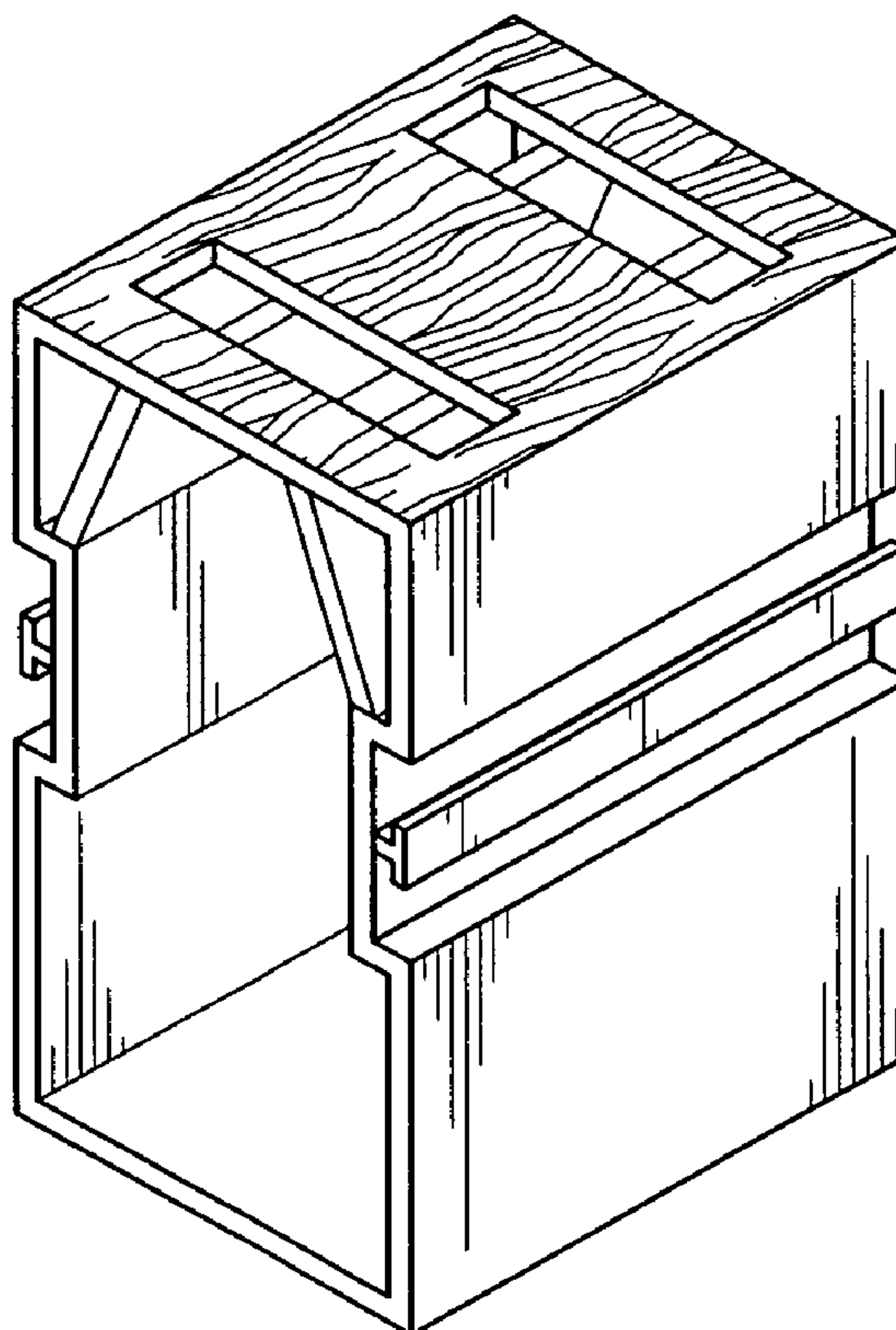
(57) **CLAIM**

The ornamental design for a pool deck drain, as shown and described.

DESCRIPTION

FIG. 1 is a perspective view of a pool deck drain;
FIG. 2 is a side plan view of the pool deck drain;
FIG. 3 is a front view of the pool deck drain;
FIG. 4 is a bottom view of the pool deck drain; and,
FIG. 5 is a top view of the pool deck drain.

1 Claim, 1 Drawing Sheet



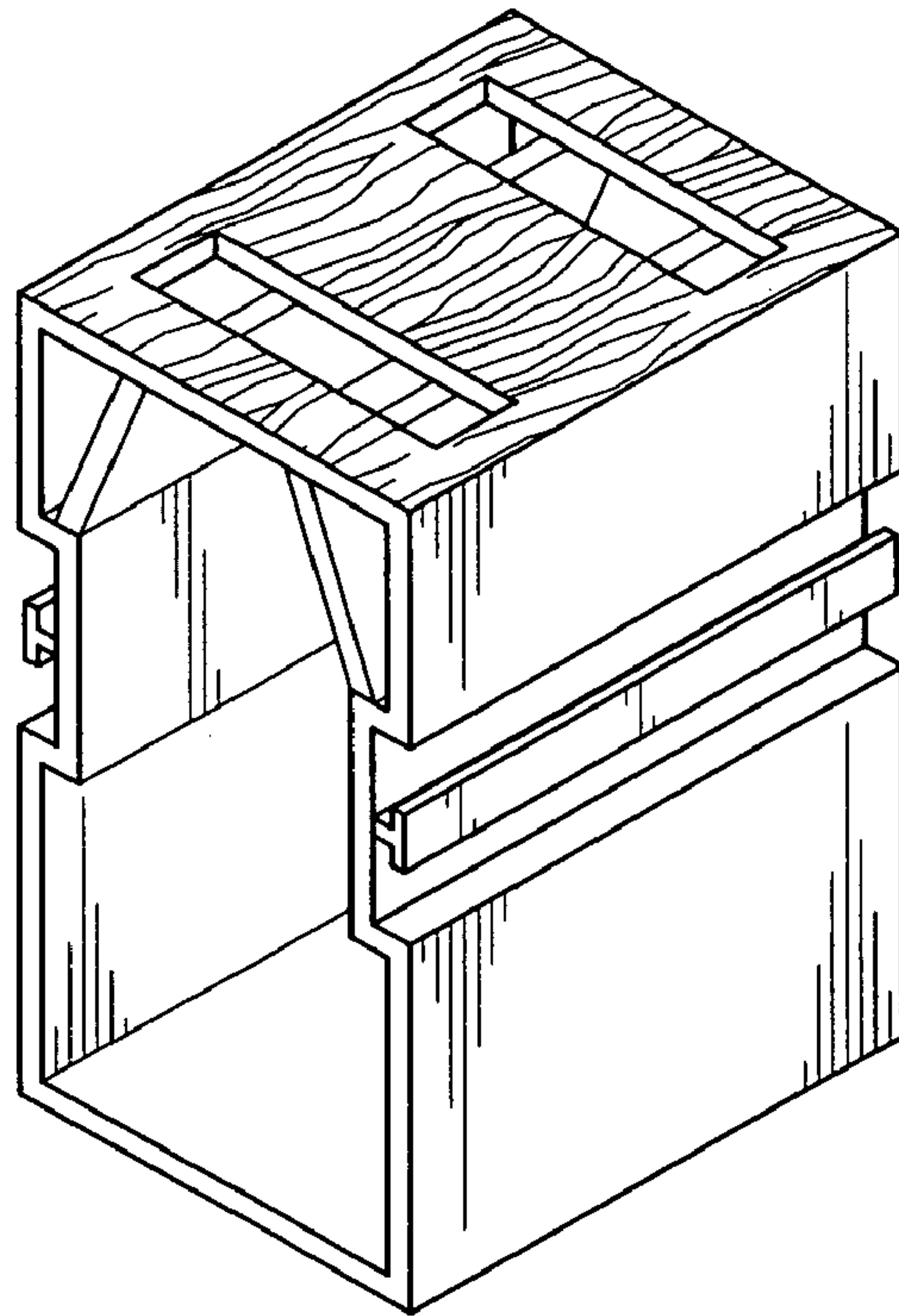


FIG. 1

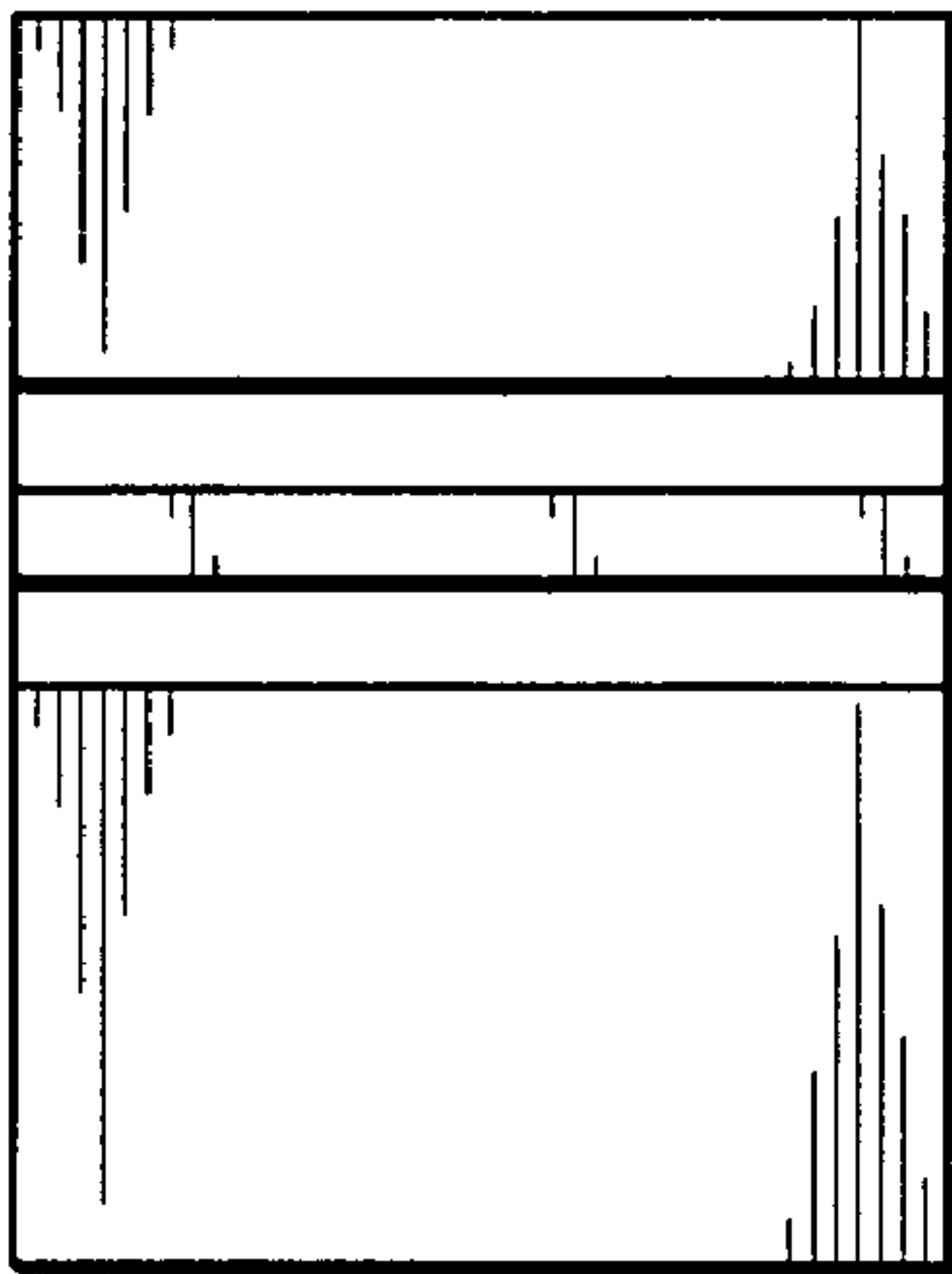


FIG. 2

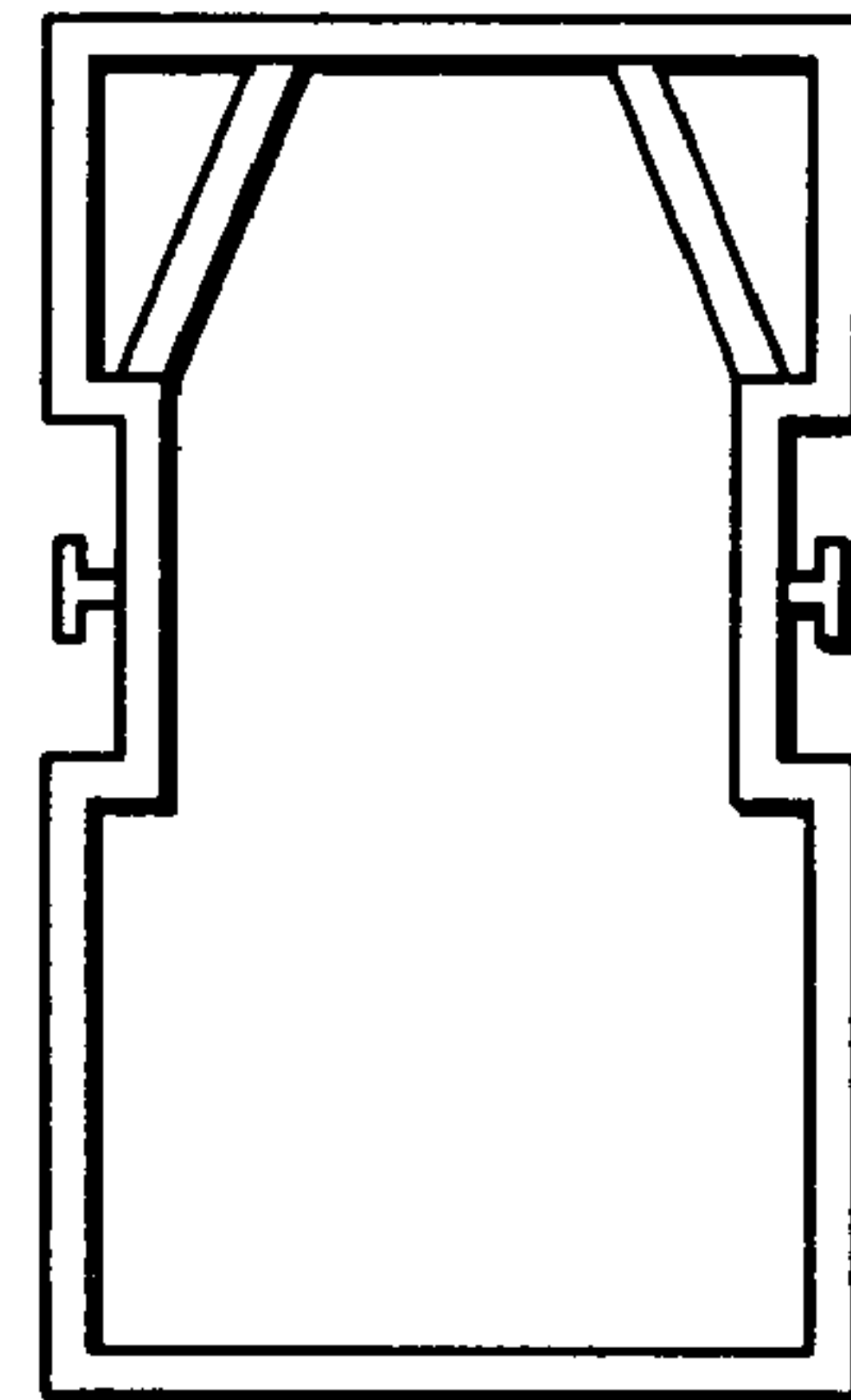


FIG. 3

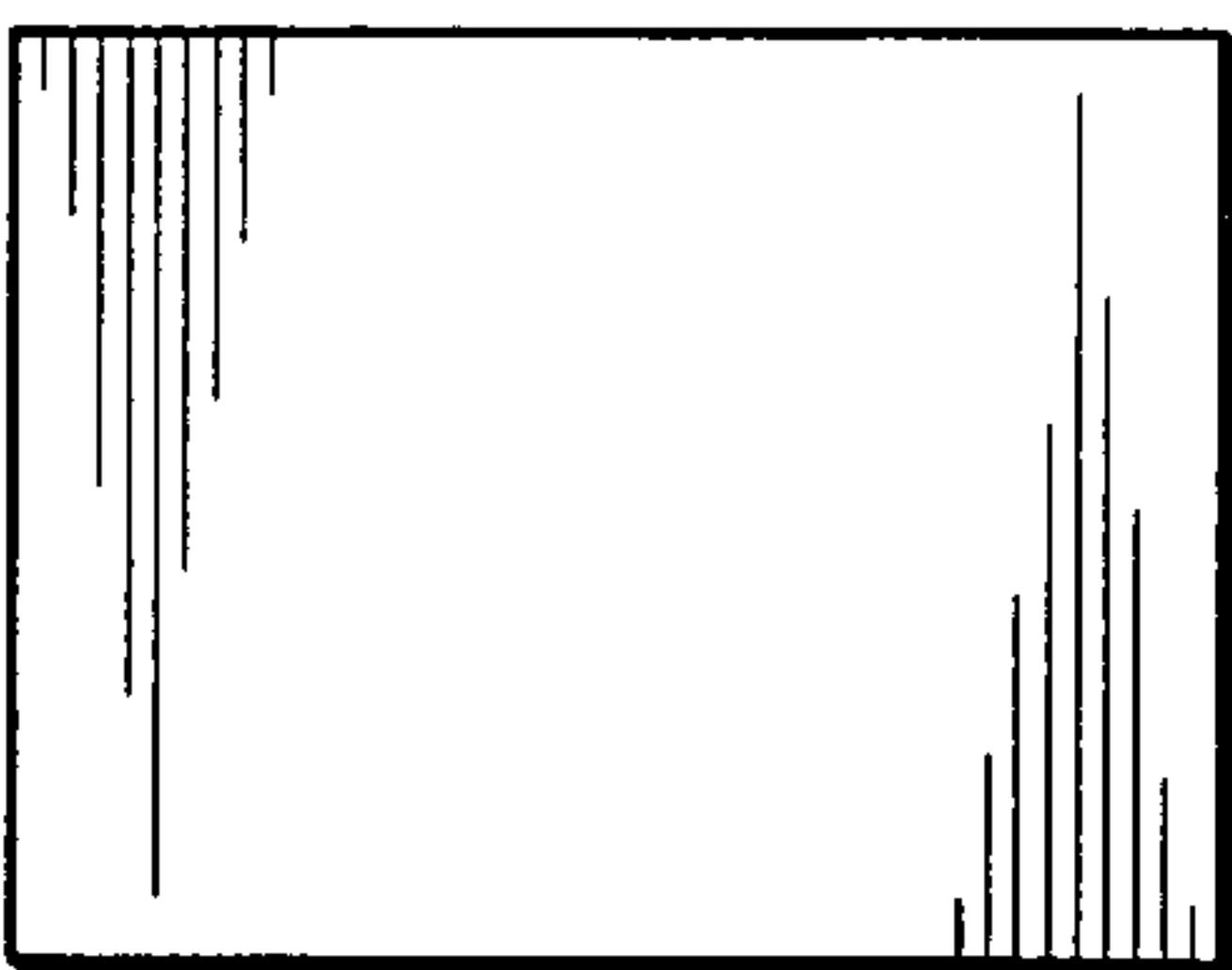


FIG. 4

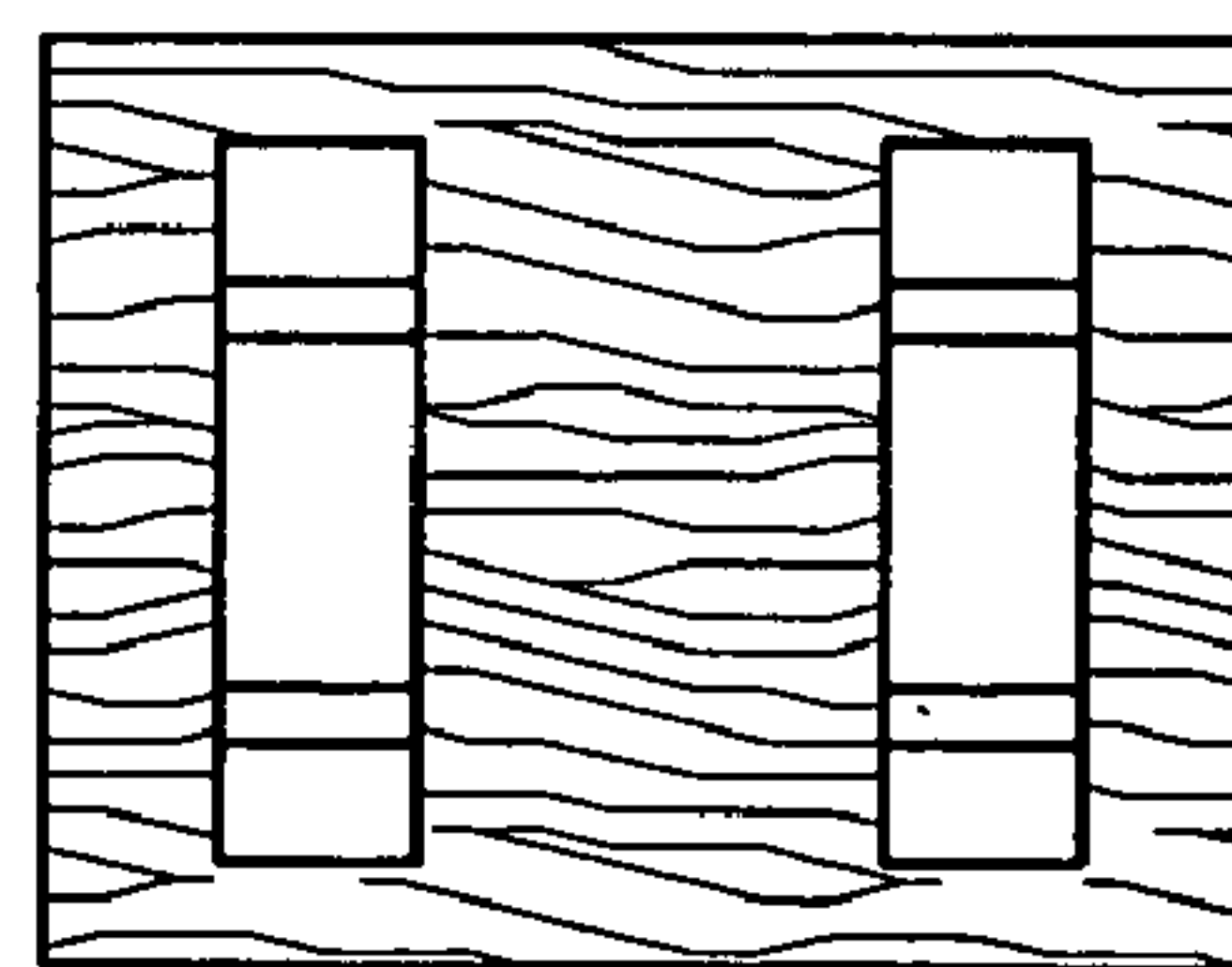


FIG. 5