



US00D558303S

(12) **United States Design Patent**
Williams et al.

(10) **Patent No.:** **US D558,303 S**

(45) **Date of Patent:** **** Dec. 25, 2007**

(54) **SHOWER HEAD**

(75) Inventors: **Emilie Williams**, Fishers, IN (US);
Anthony G. Spangler, Carmel, IN
(US); **Ashley Spangler**, Kansas City,
MO (US)

(73) Assignee: **Masco Corporation of Indiana**,
Indianapolis, IN (US)

(**) Term: **14 Years**

(21) Appl. No.: **29/275,931**

(22) Filed: **Jan. 10, 2007**

(51) **LOC (8) Cl.** **23-01**

(52) **U.S. Cl.** **D23/229**

(58) **Field of Classification Search** D23/213,
D23/223, 226, 229-230; 239/394, 462, 282-3;
4/615

See application file for complete search history.

(56) **References Cited**

U.S. PATENT DOCUMENTS

D486,556 S * 2/2004 Lobermeier D23/299
D486,887 S * 2/2004 Graves et al. D23/229

D487,915 S * 3/2004 Egee D23/229
D498,816 S * 11/2004 Egee D23/213
D523,520 S * 6/2006 Theberge D23/213
D538,390 S * 3/2007 Sallick et al. D23/213

* cited by examiner

Primary Examiner—Robin V Webster

(74) *Attorney, Agent, or Firm*—Leon E. Redman; Lloyd D.
Doigan

(57) **CLAIM**

The ornamental design for a shower head, as shown and
described.

DESCRIPTION

FIG. 1 is a front perspective view of a shower head showing
our new design;

FIG. 2 is a front elevational view thereof;

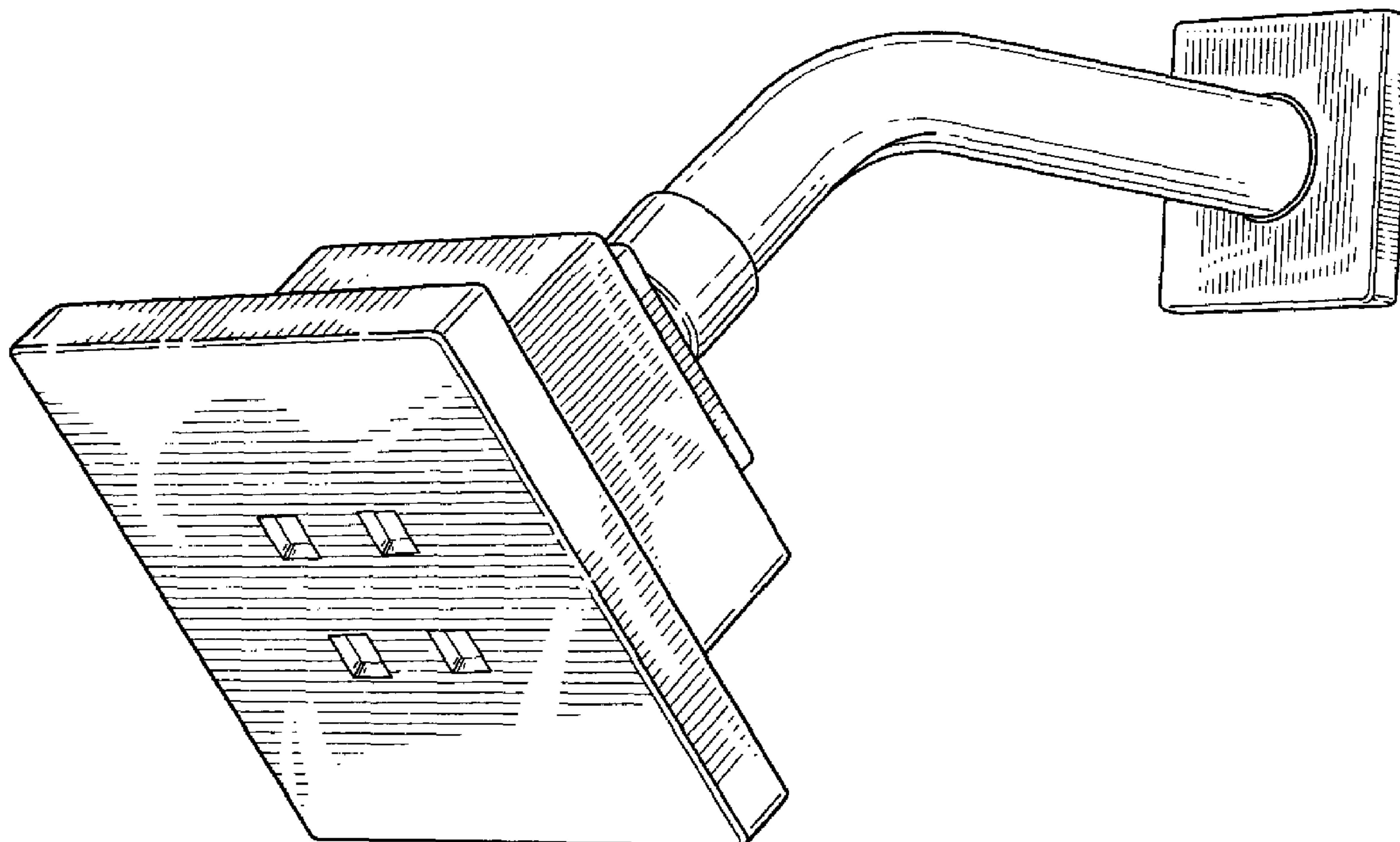
FIG. 3 is a left side elevational view thereof;

FIG. 4 is a right side elevational view thereof;

FIG. 5 is a top plan view thereof; and,

FIG. 6 is a bottom plan view thereof.

1 Claim, 6 Drawing Sheets



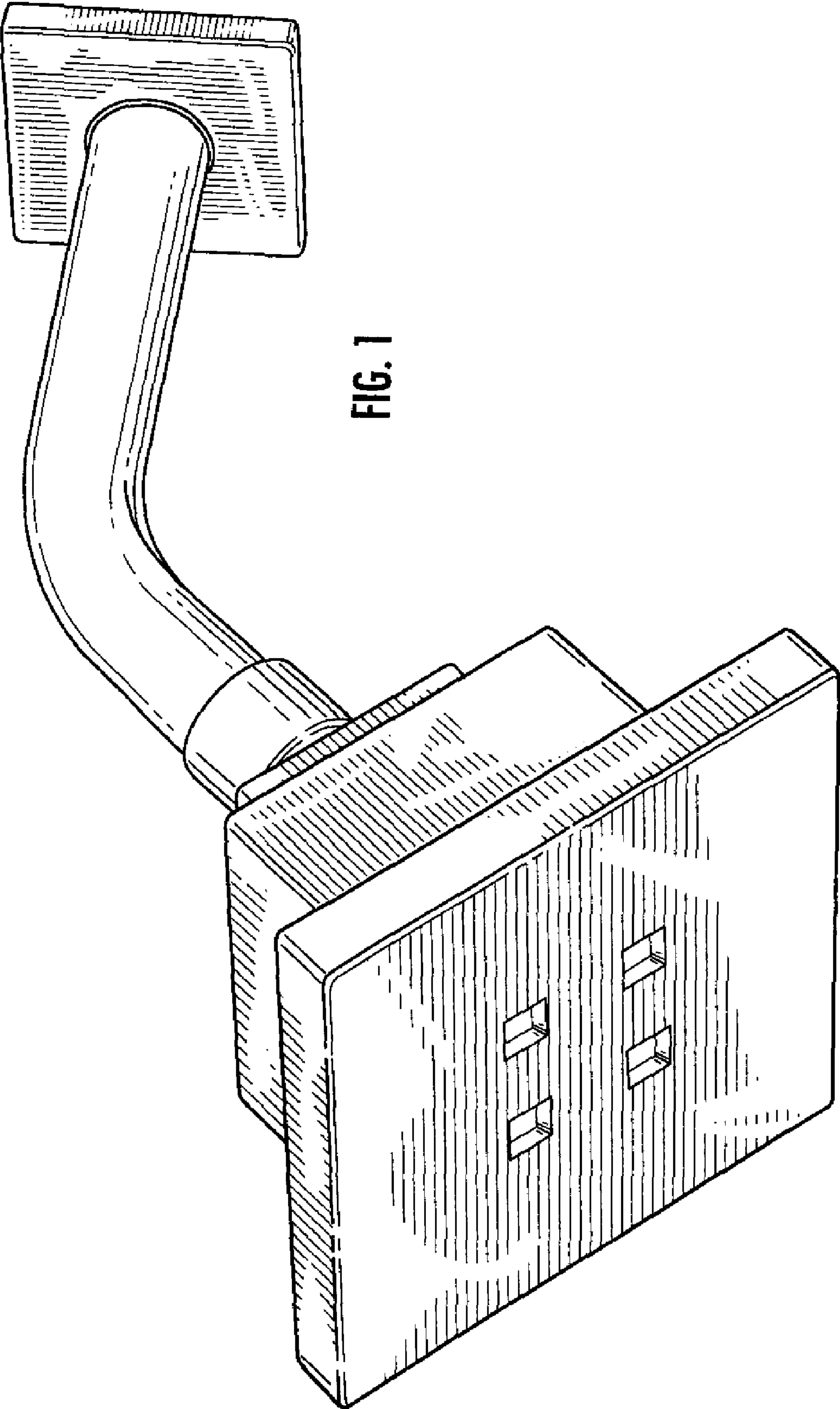


FIG. 1

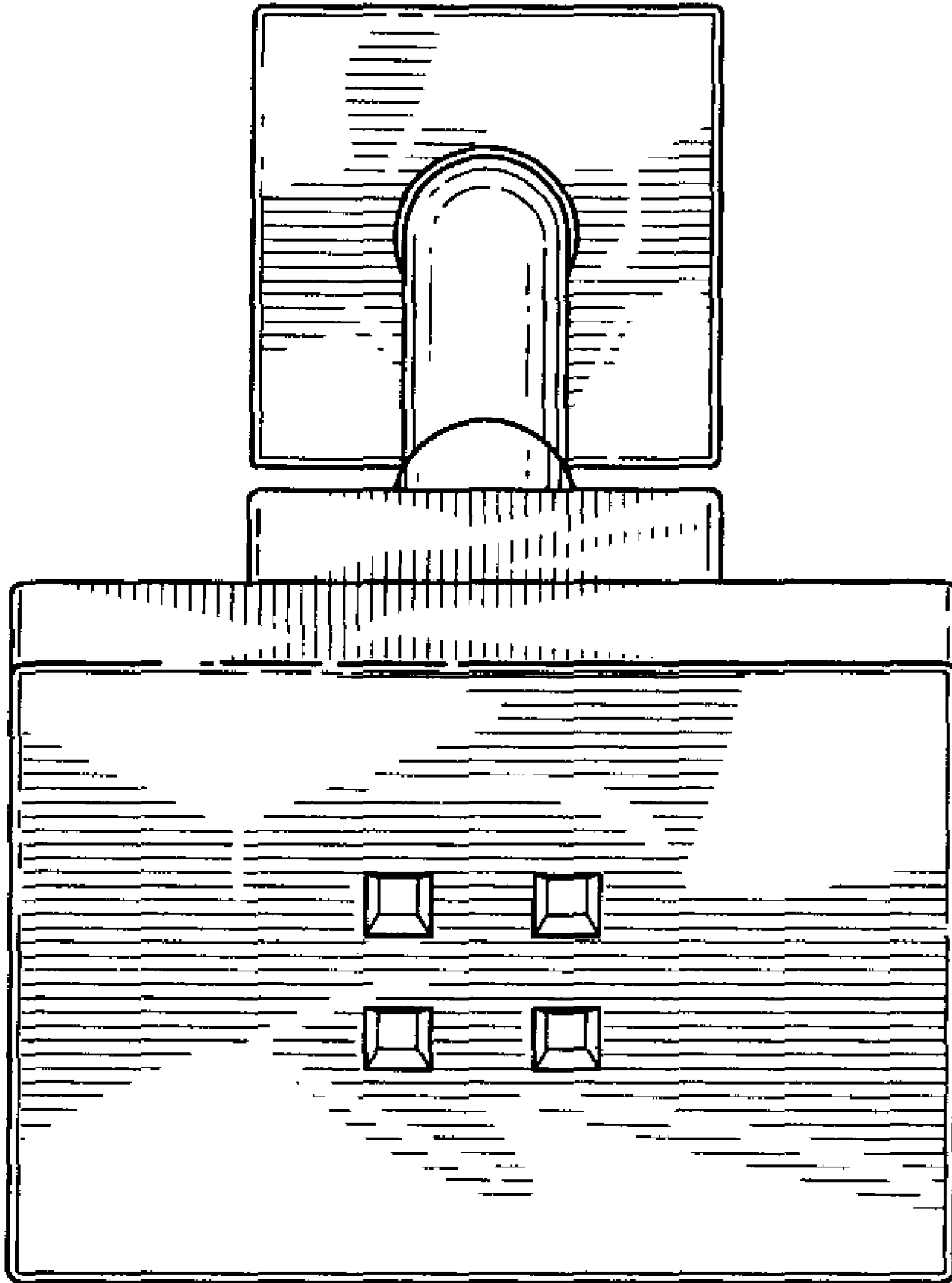


FIG. 2

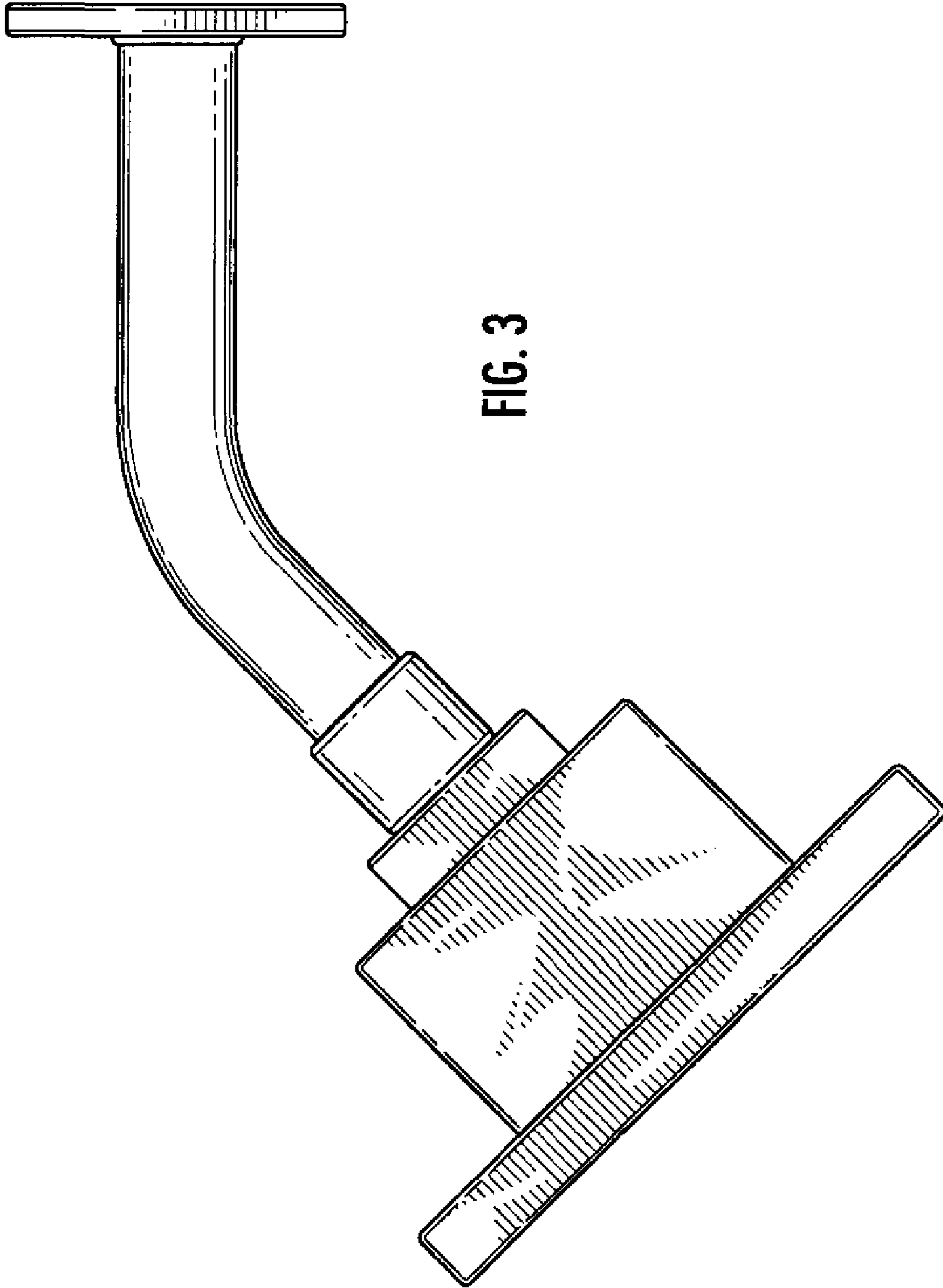


FIG. 3

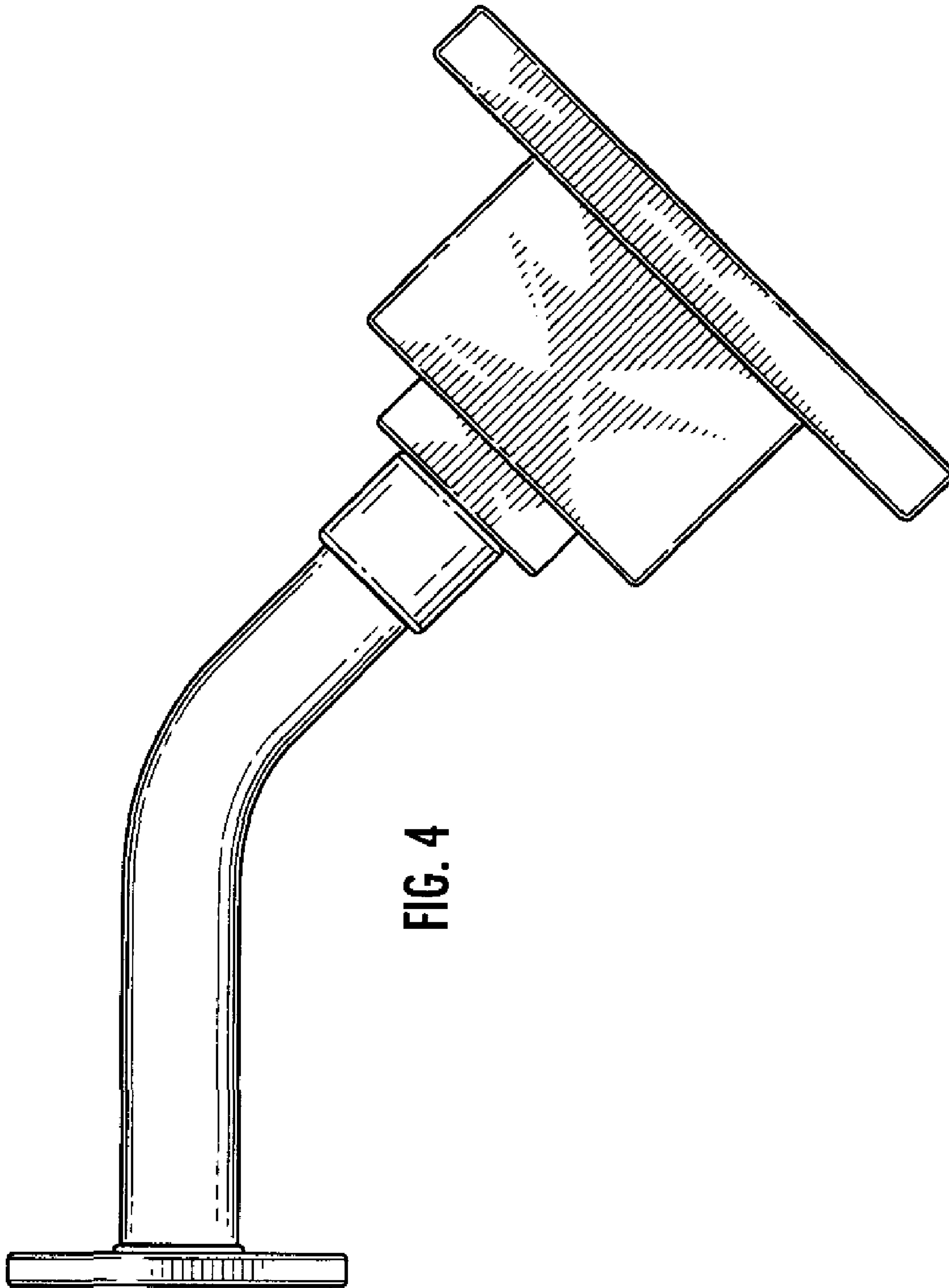


FIG. 4

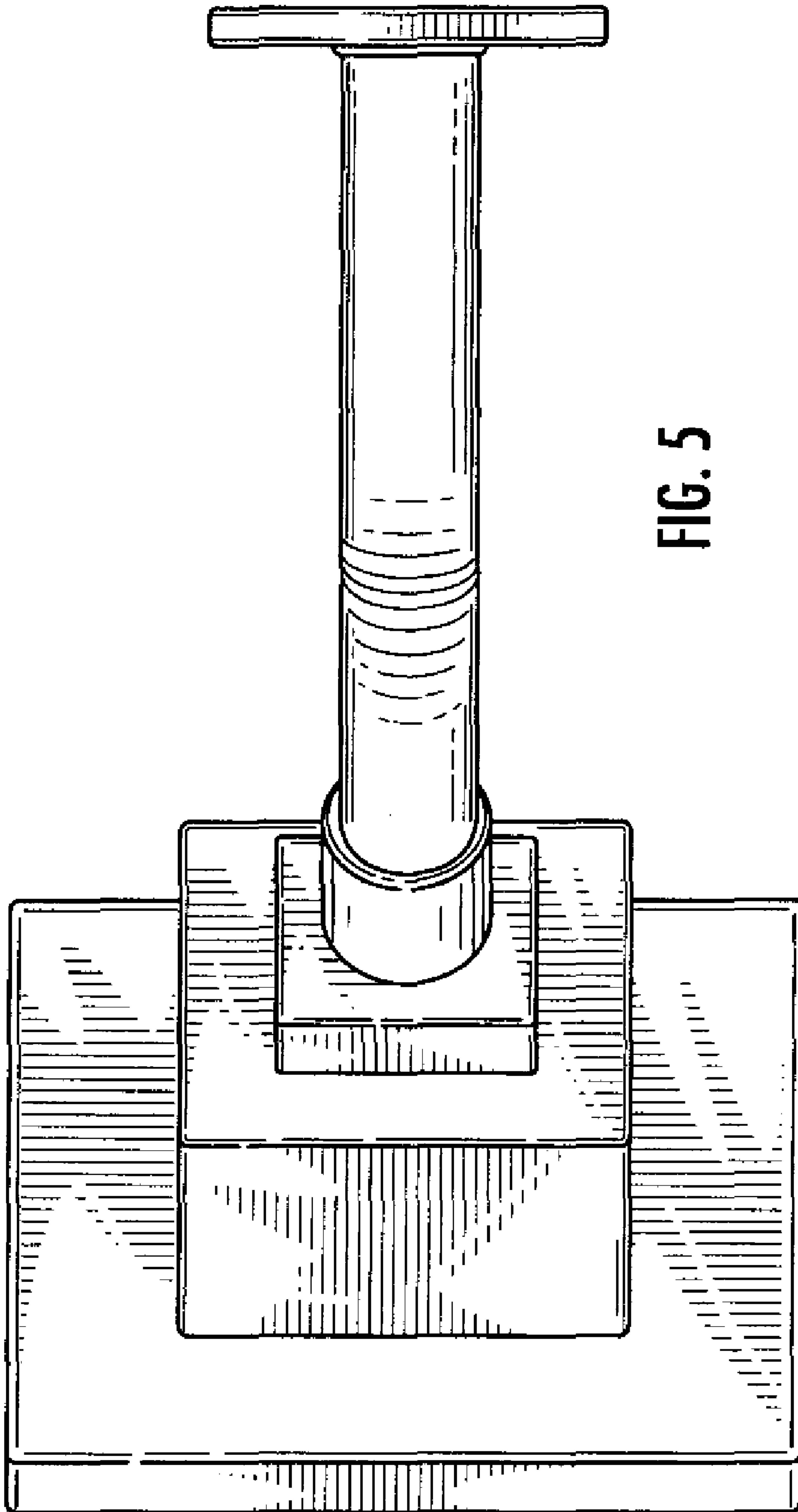


FIG. 5

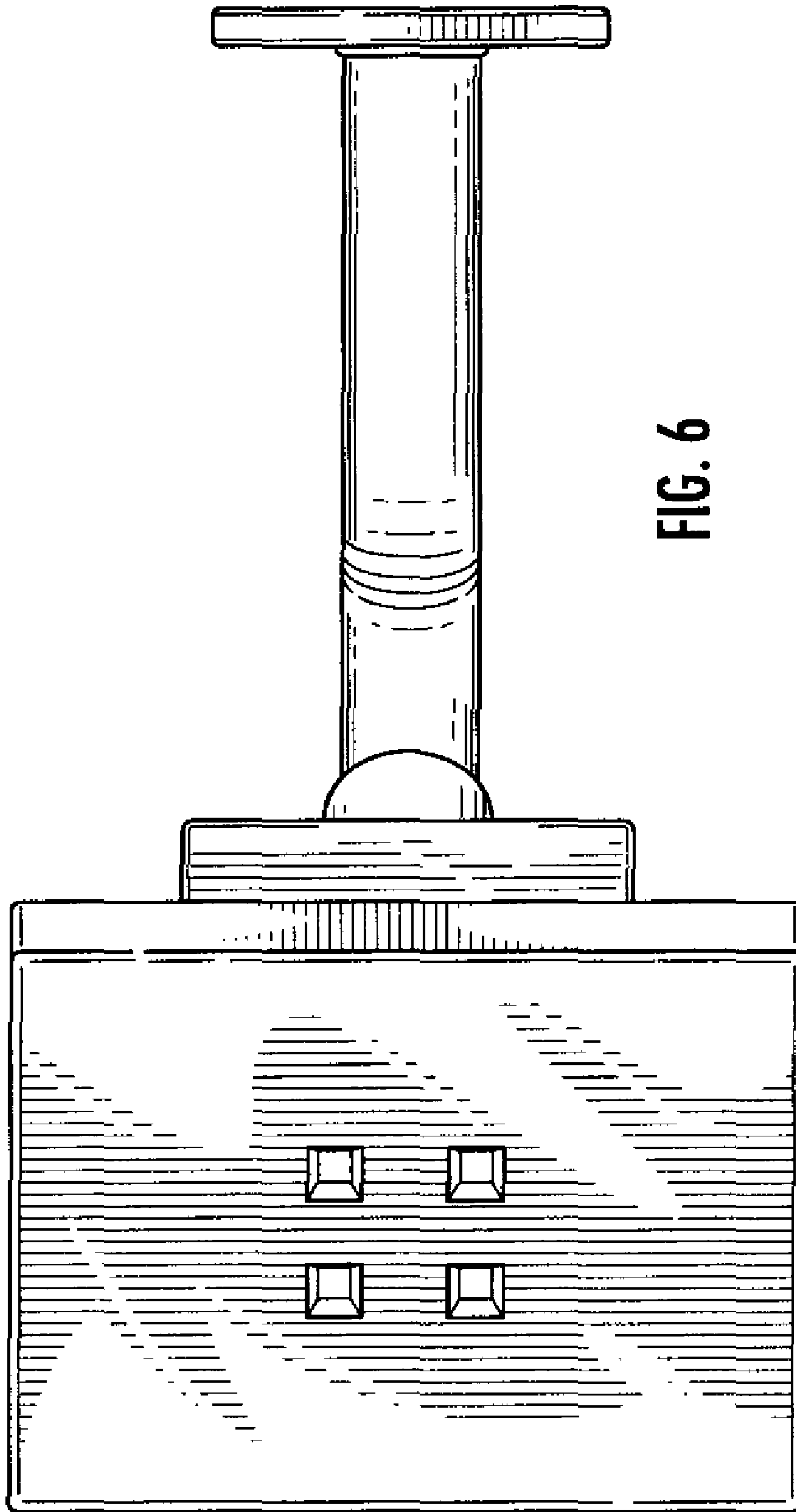


FIG. 6