



US00D558299S

(12) **United States Design Patent**
Lepage et al.

(10) **Patent No.:** **US D558,299 S**

(45) **Date of Patent:** **** Dec. 25, 2007**

(54) **FLY FISHING REEL**

2002/0104912 A1* 8/2002 Bascue, Jr. 242/317

(75) Inventors: **James B. Lepage**, Manchester Center,
VT (US); **Steven M. Hemkens**,
Arlington, VT (US)

OTHER PUBLICATIONS

Orvis Fly Fishing Catalog, Spring 2006, pp. 36-44.

* cited by examiner

(73) Assignee: **The Orvis Company, Inc.**, Sunderland,
VT (US)

Primary Examiner—Catherine R. Oliver

(74) *Attorney, Agent, or Firm*—Fay Sharpe LLP

(**) Term: **14 Years**

(57) **CLAIM**

(21) Appl. No.: **29/278,698**

The ornamental design for a fly fishing reel, as shown and described.

(22) Filed: **Apr. 6, 2007**

(51) **LOC (8) Cl.** **22-05**

DESCRIPTION

(52) **U.S. Cl.** **D22/140**

FIG. 1 is a perspective view of a fly fishing reel showing the new design;

(58) **Field of Classification Search** D22/137-141;
242/118.4, 118.3, 118.7, 311, 317-323, 224,
242/295, 234-240

FIG. 2 is another perspective view of the reel of FIG. 1 with the spool disassembled from the frame;

See application file for complete search history.

FIG. 3 is a first side view of the reel shown in FIGS. 1 and 2;

(56) **References Cited**

U.S. PATENT DOCUMENTS

4,883,238	A	11/1989	Harder	242/317
D371,823	S *	7/1996	Charlton	D22/140
6,155,508	A	12/2000	Lepage	242/303
D443,017	S	5/2001	Alden	D22/140
6,382,545	B1 *	5/2002	Yeh	242/317
6,513,743	B1	2/2003	Perkins, Jr. et al.	242/295
6,578,785	B1 *	6/2003	Hong	242/317
D515,656	S	2/2006	Lepage et al.	D22/140
D521,105	S	5/2006	Lepage	D22/140
D527,070	S *	8/2006	Venes	D22/137
D529,123	S *	9/2006	Nago	D22/140

FIG. 4 is a front view of the reel shown in FIGS. 1-3;

FIG. 5 is a second side view of the reel shown in FIGS. 1-4;

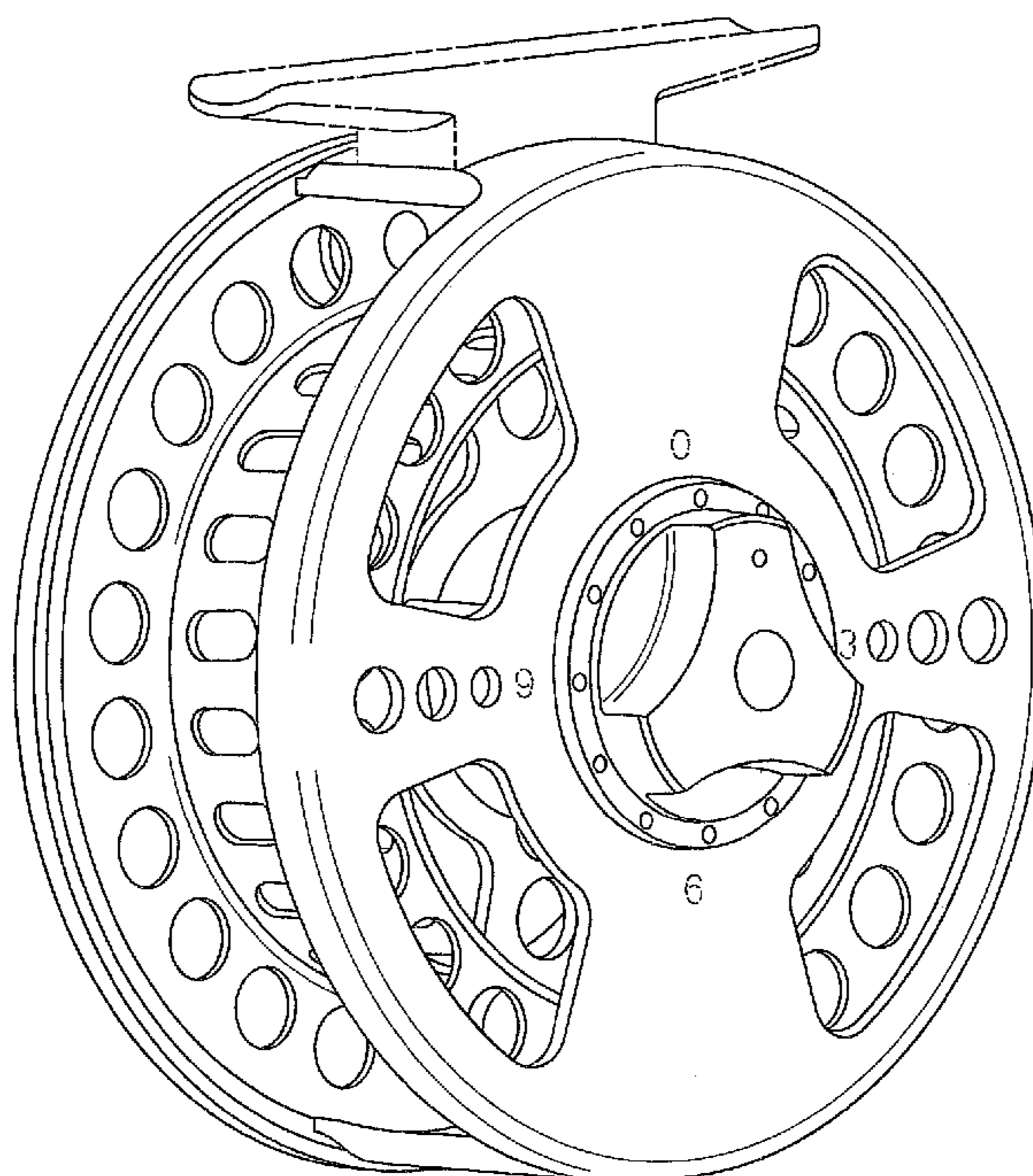
FIG. 6 is a rear view of the reel shown in FIGS. 1-5;

FIG. 7 is a bottom view of the reel shown in FIGS. 1-6; and,

FIG. 8 is a top view of the reel shown in FIGS. 1-7.

The broken line showing of environment in the drawings is for illustrative purposes only and forms no part of the claimed design.

1 Claim, 5 Drawing Sheets



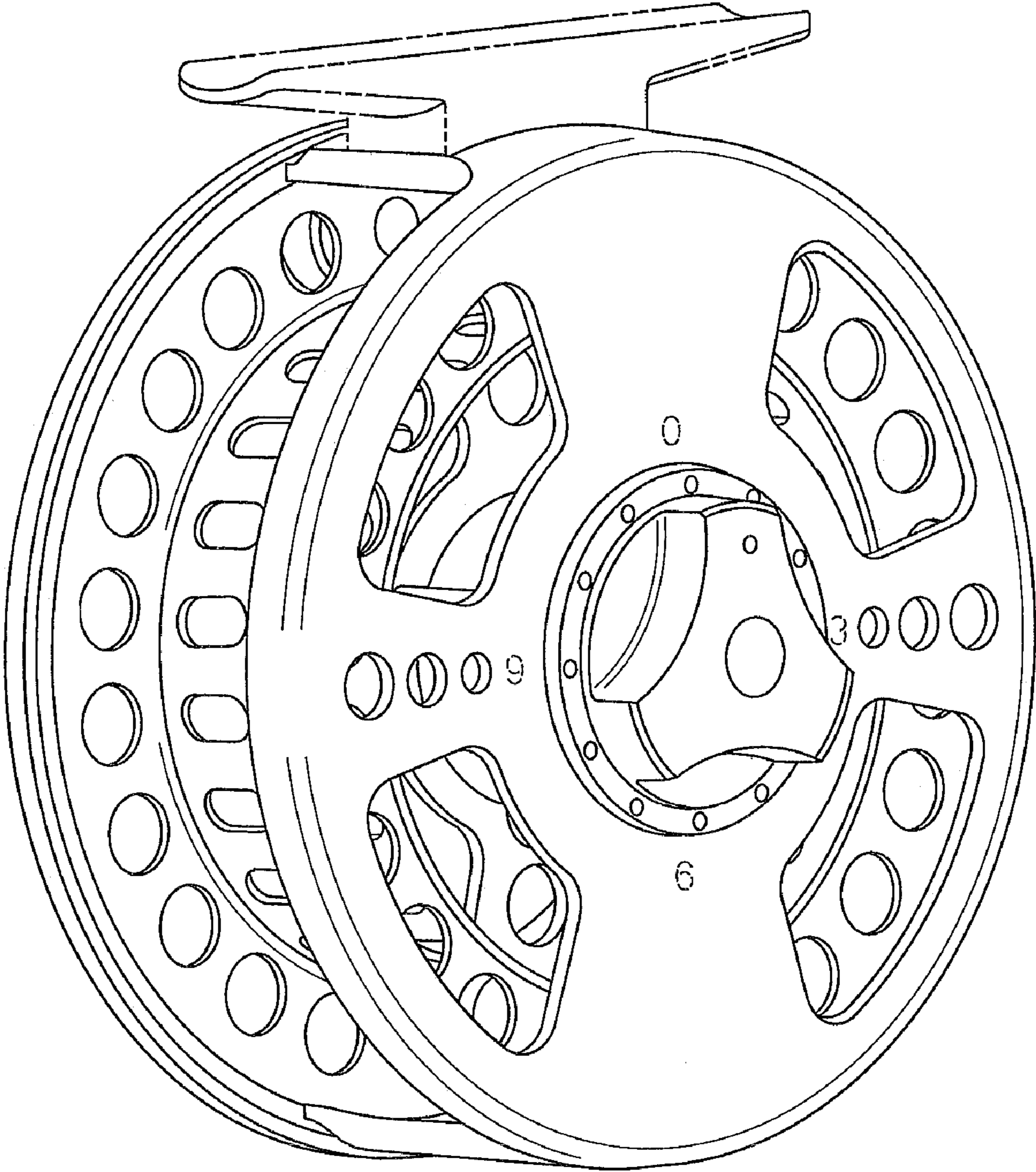


FIG. 1

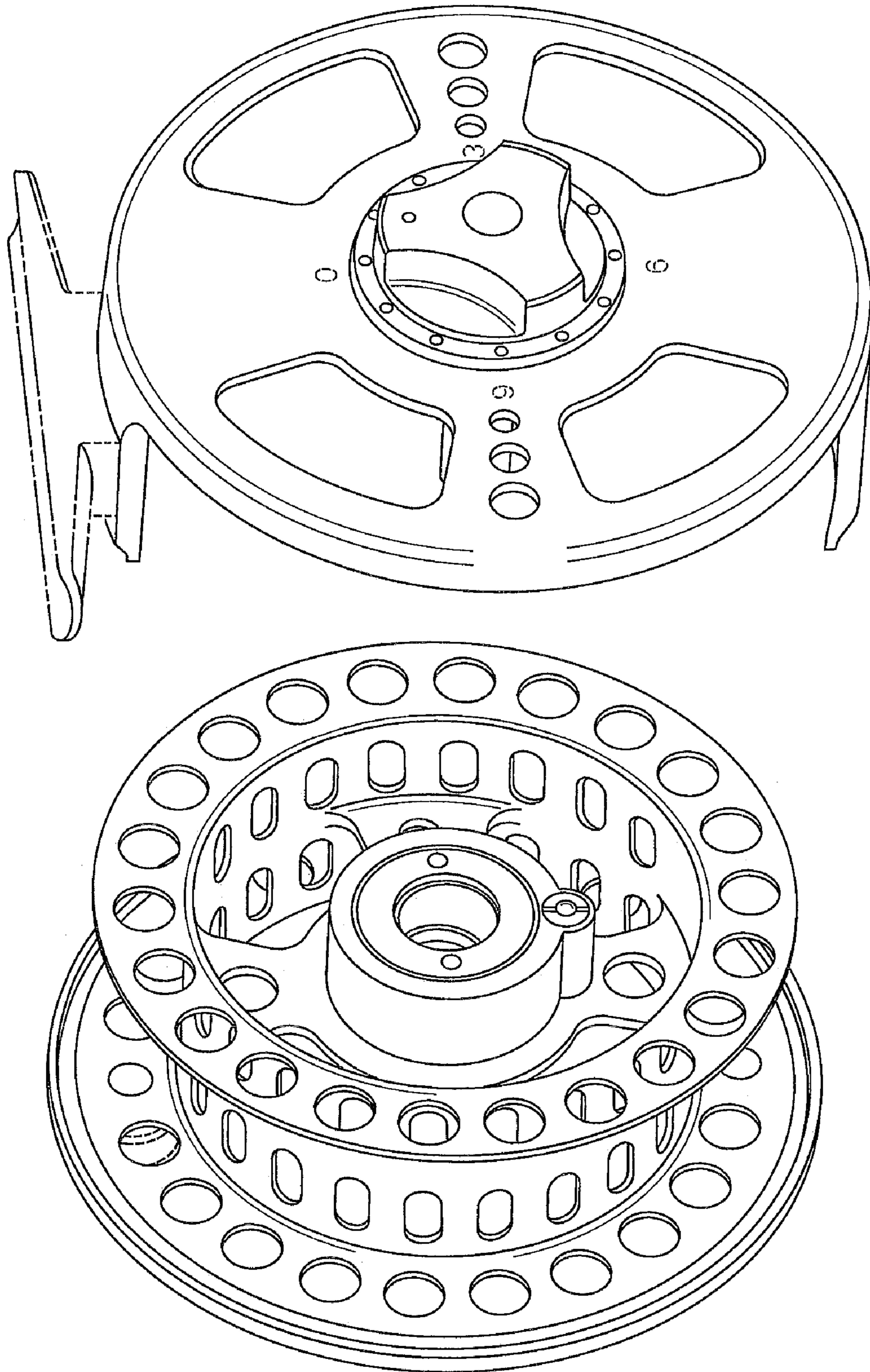


FIG. 2

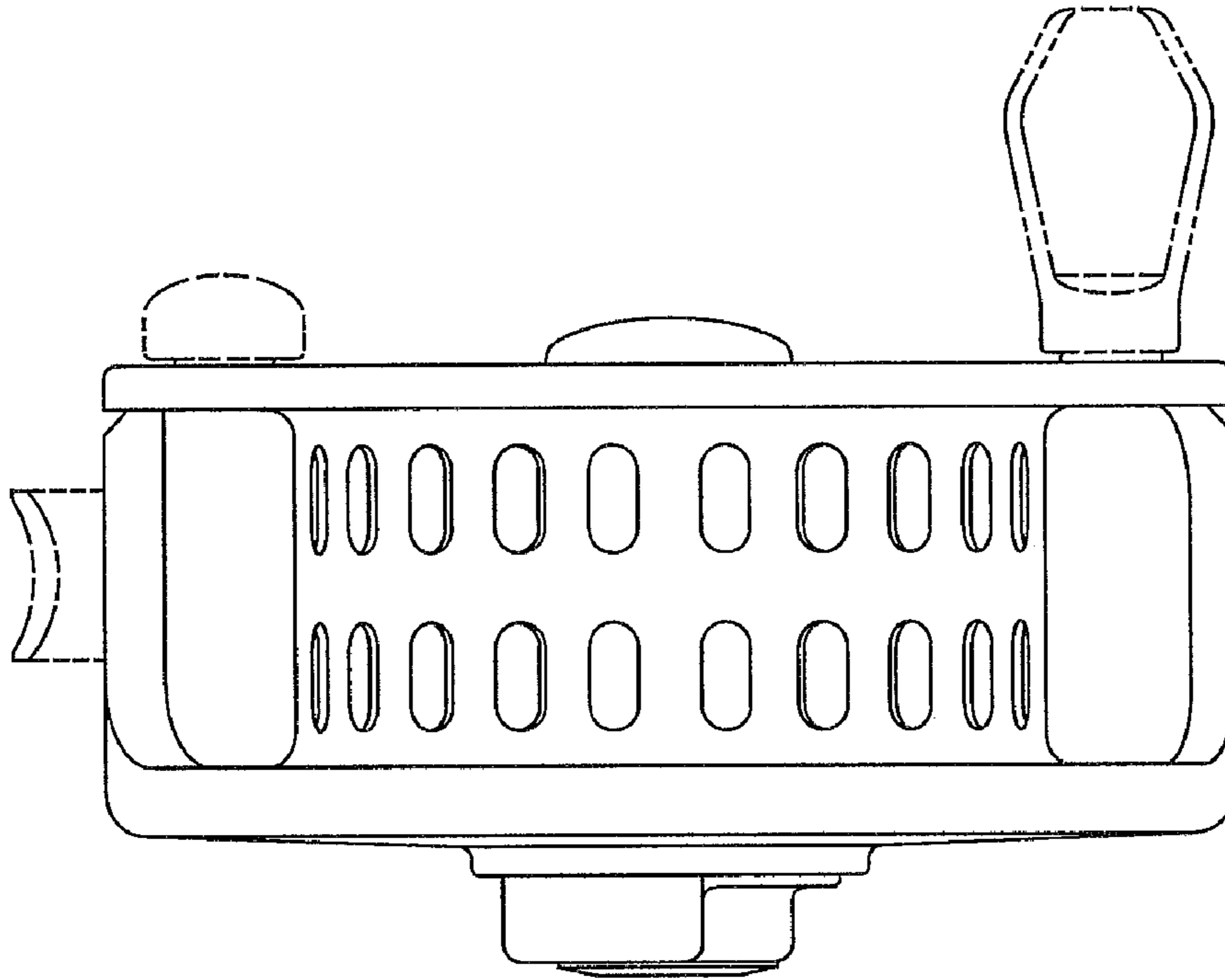


FIG. 4

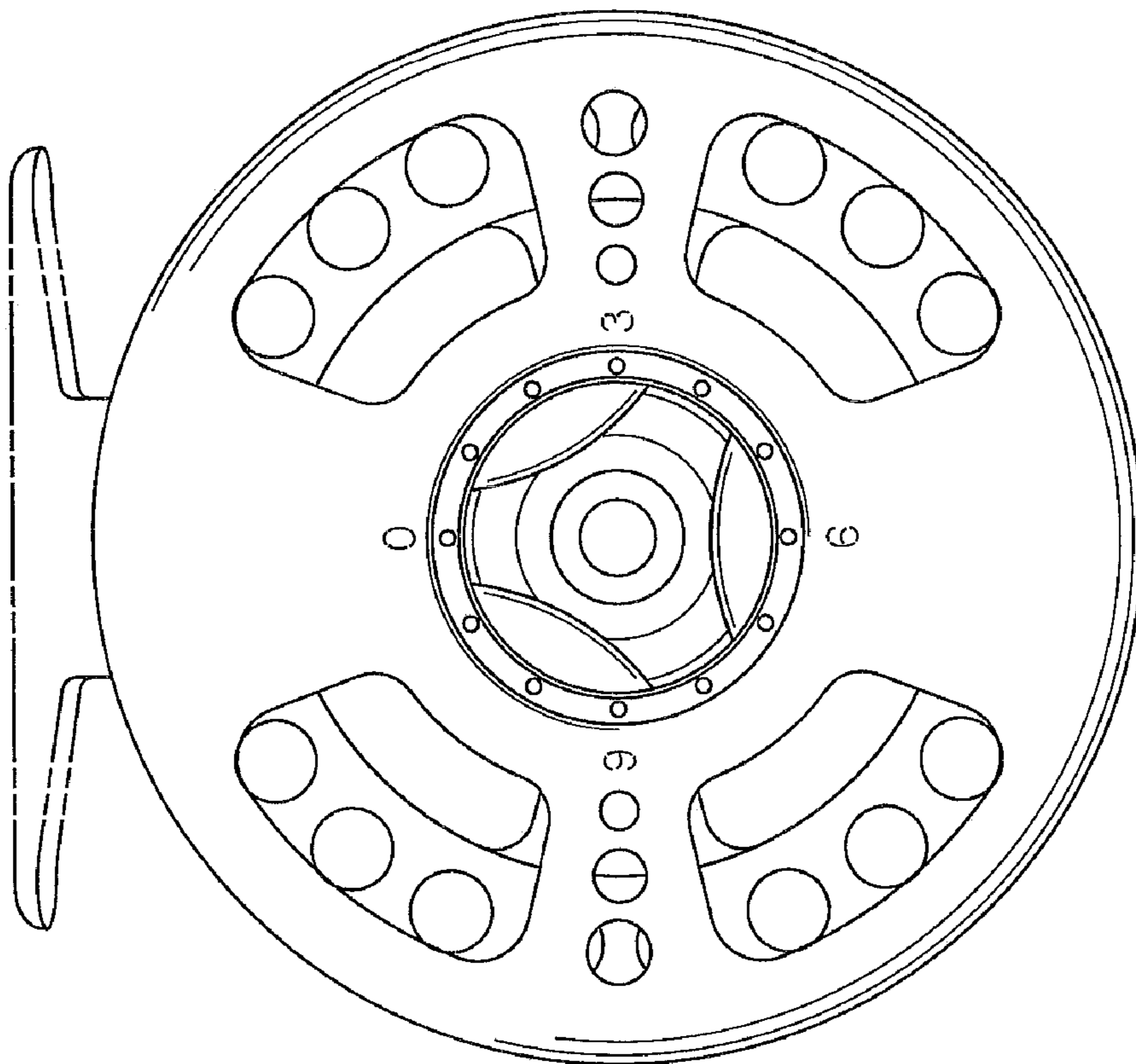


FIG. 3

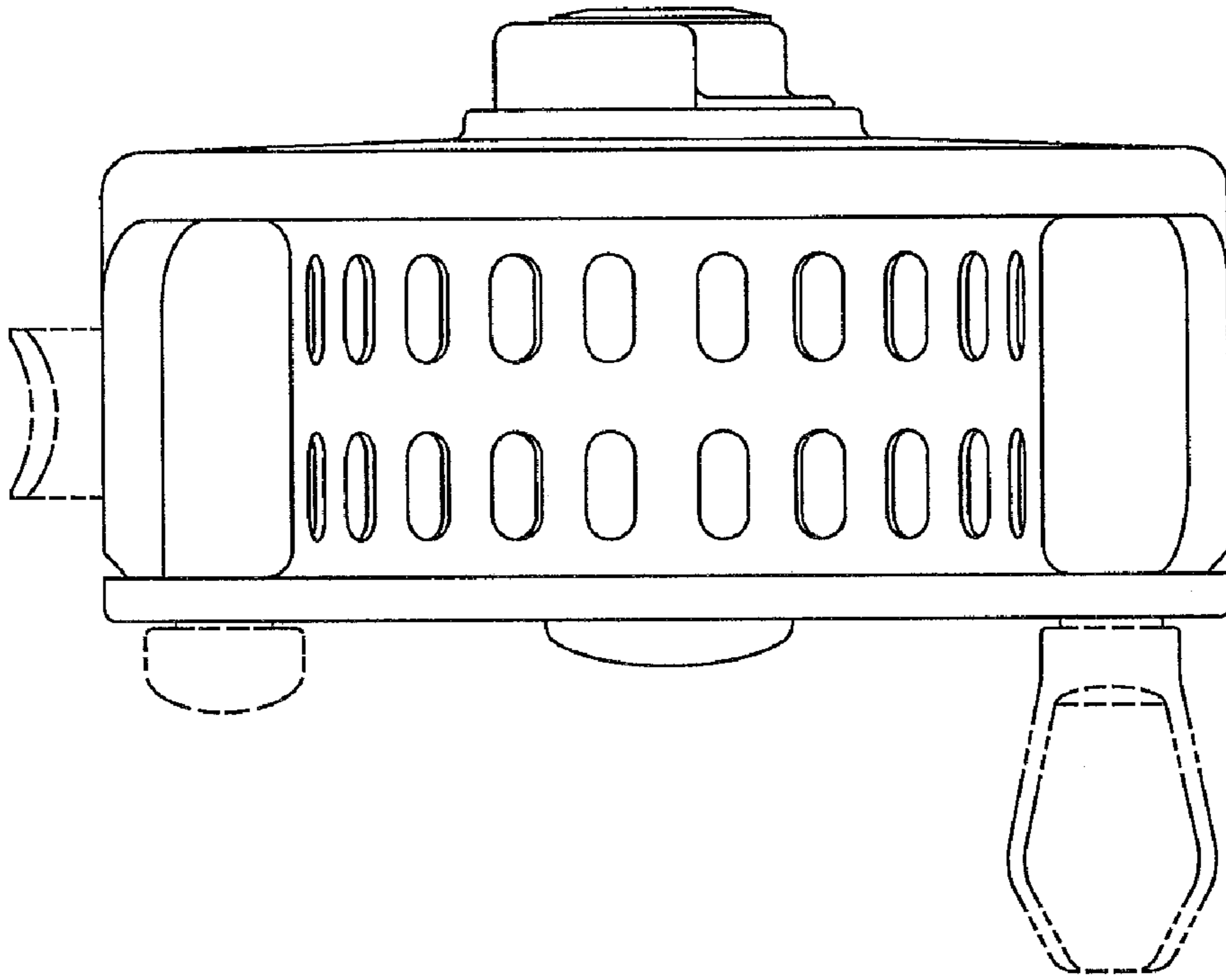


FIG. 6

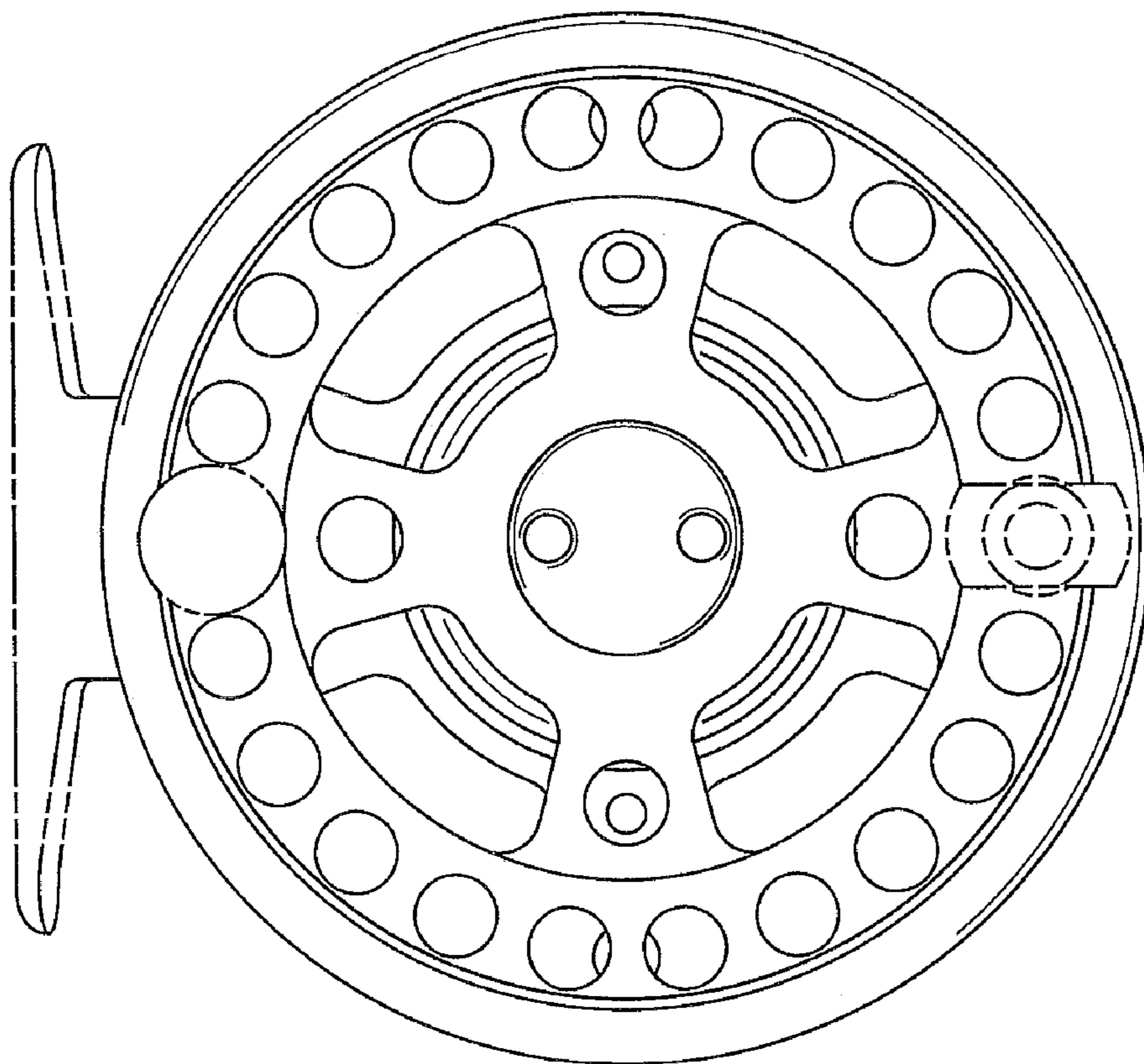


FIG. 5

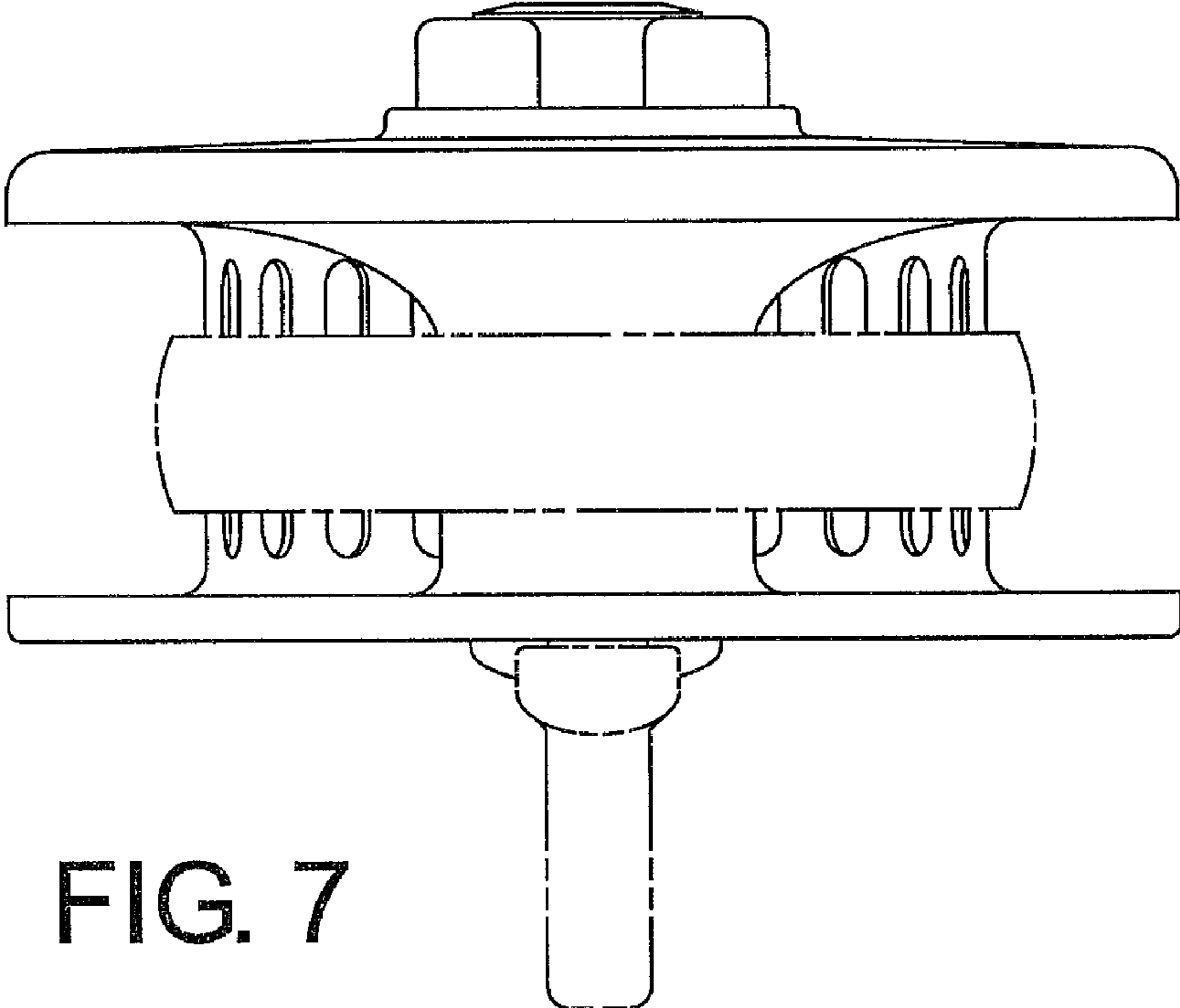


FIG. 7

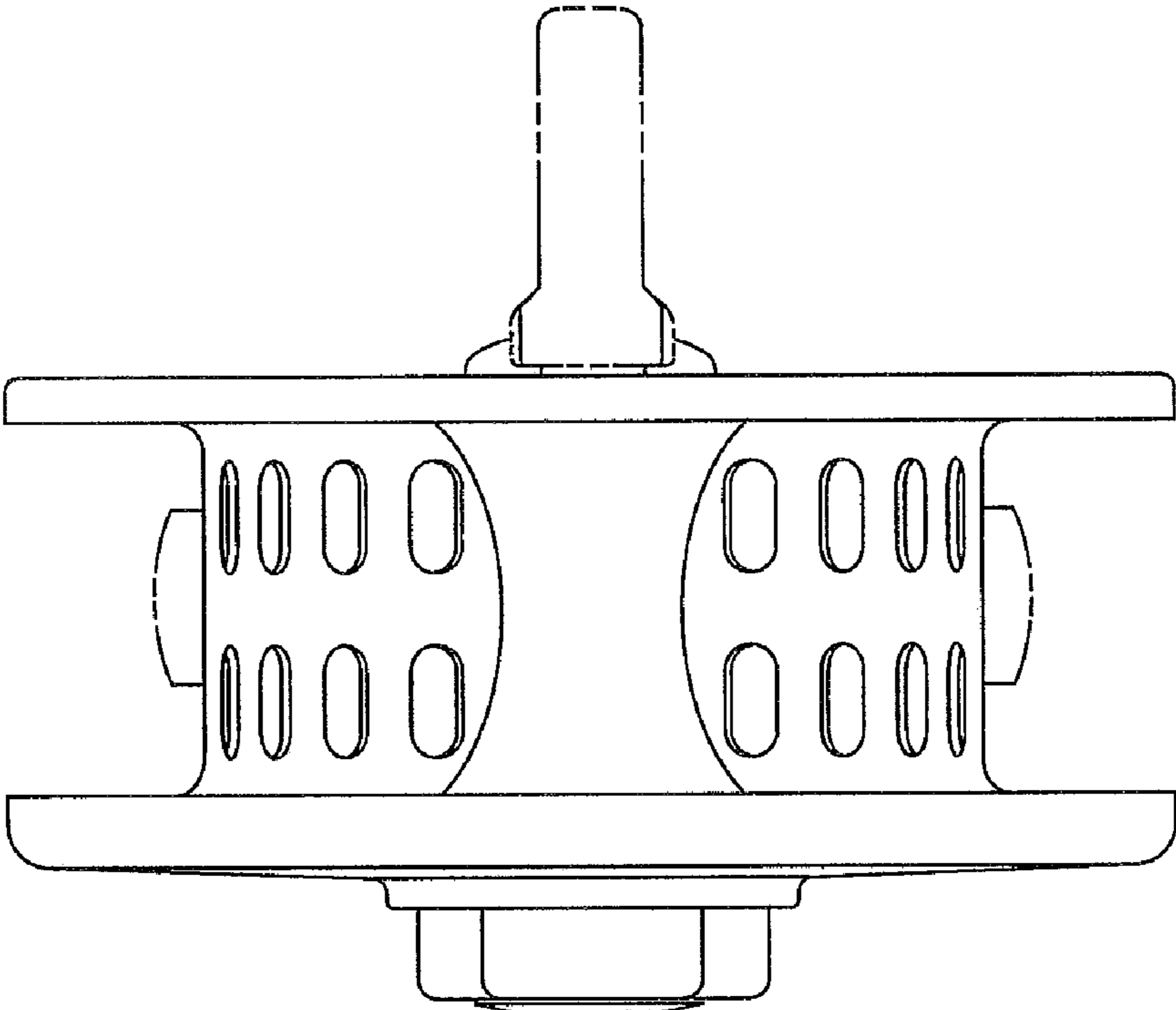


FIG. 8