



US00D558297S

(12) **United States Design Patent**
Gibian et al.

(10) **Patent No.:** **US D558,297 S**

(45) **Date of Patent:** **** Dec. 25, 2007**

(54) **INSECT REPELLENT DEVICE**

(75) Inventors: **Michael Gibian**, West Ryde (AU);
Philip Stephen Ridley, Glenbrook
(AU); **Michael Keen**, West Ryde (AU)

(73) Assignee: **Reckitt Benckiser Inc.**, Parsippany, NJ
(US)

(**) Term: **14 Years**

(21) Appl. No.: **29/275,067**

(22) Filed: **Dec. 22, 2006**

(30) **Foreign Application Priority Data**

Jun. 16, 2006 (AU) 12611/06

(51) **LOC (8) Cl.** **22-06**

(52) **U.S. Cl.** **D22/120**

(58) **Field of Classification Search** D22/119-125;
43/107, 112-113, 124, 131; D26/37-41
See application file for complete search history.

(56) **References Cited**

U.S. PATENT DOCUMENTS

4,182,069 A * 1/1980 De Yoreo 43/112

D291,226 S * 8/1987 Wan D22/123
D302,577 S * 8/1989 Lee D22/123
D319,890 S * 9/1991 Stork D26/41
D390,984 S * 2/1998 Long et al. D26/41
D536,413 S * 2/2007 Duston D22/122

* cited by examiner

Primary Examiner—Catherine R. Oliver

(74) *Attorney, Agent, or Firm*—Norris McLaughlin &
Marcus, PA

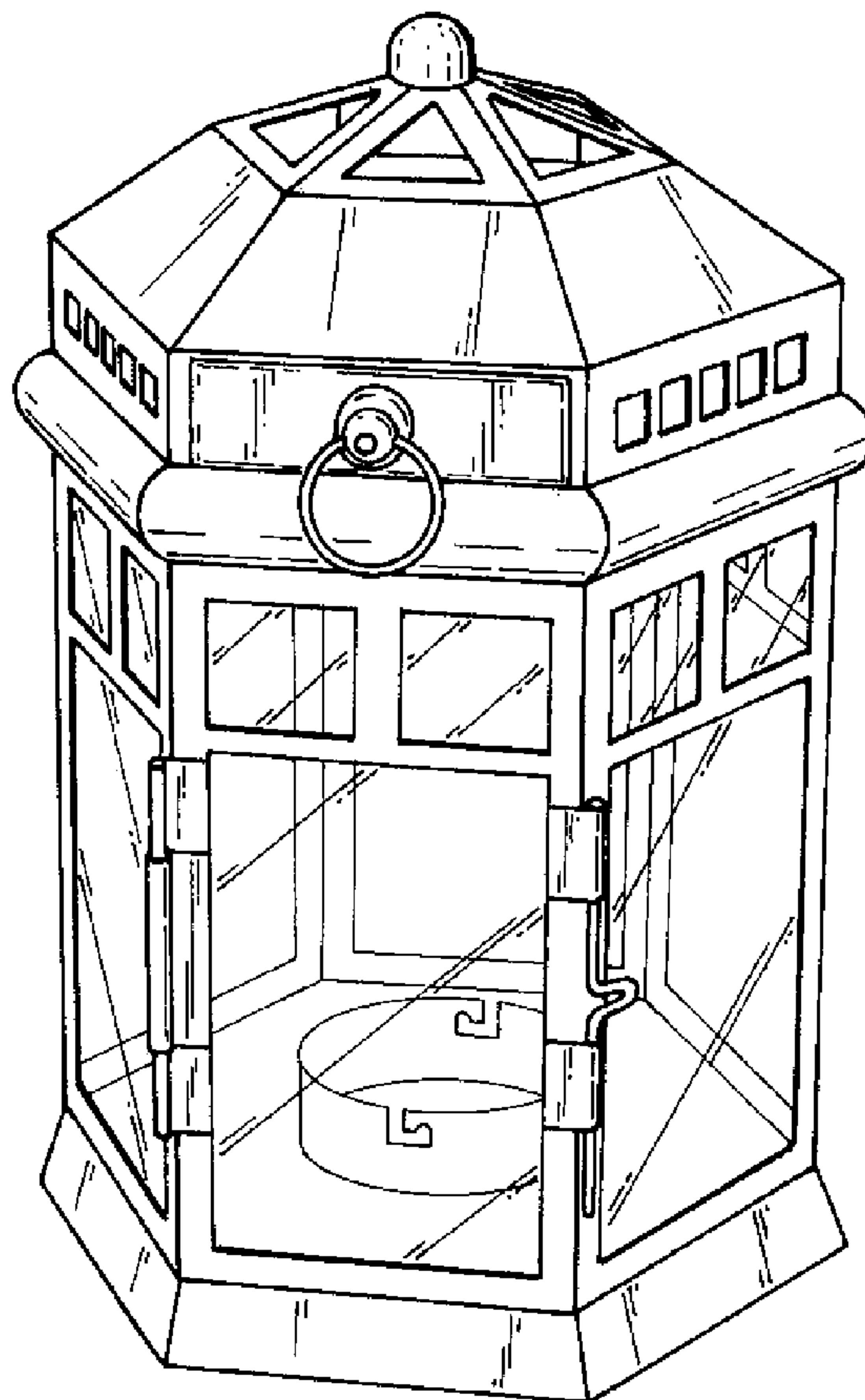
(57) **CLAIM**

The ornamental design for an insect repellent device, as
shown and described.

DESCRIPTION

FIG. 1 is a front perspective of an insect repellent device;
FIG. 2 is a side elevational view thereof;
FIG. 3 is a front elevational view thereof;
FIG. 4 is a top plan view thereof; and,
FIG. 5 is a bottom plan view.

1 Claim, 4 Drawing Sheets



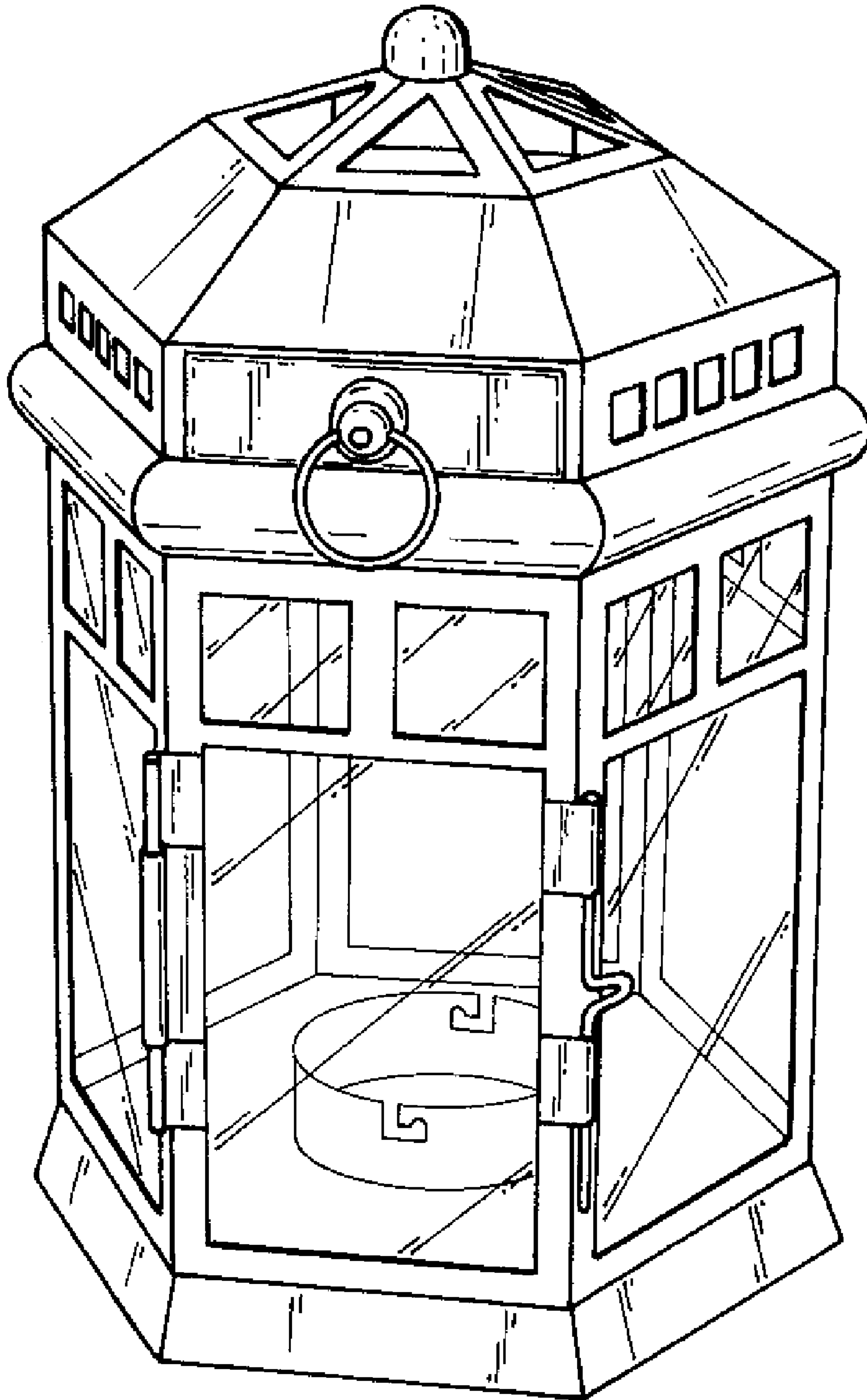


Fig. 1.

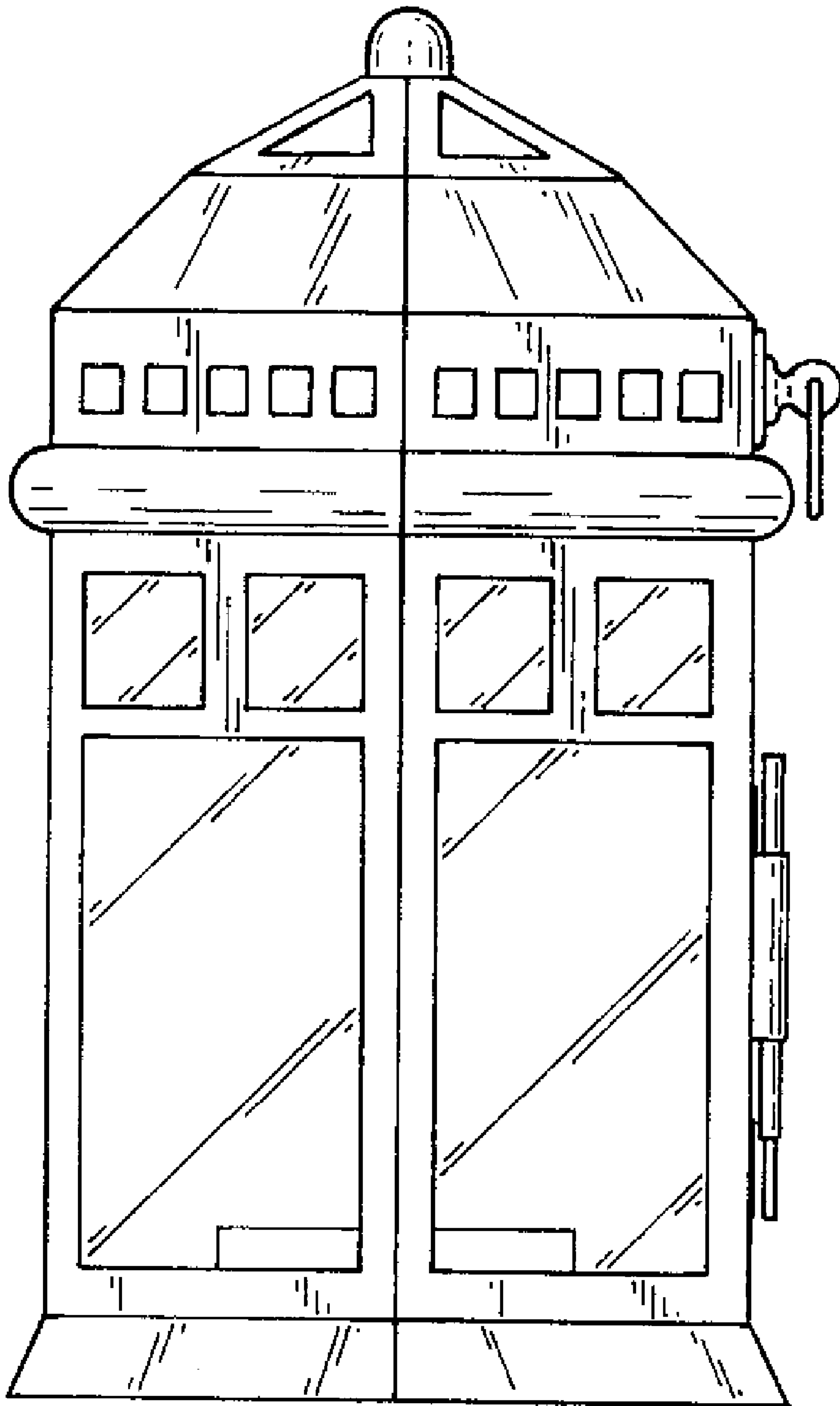


Fig. 2.

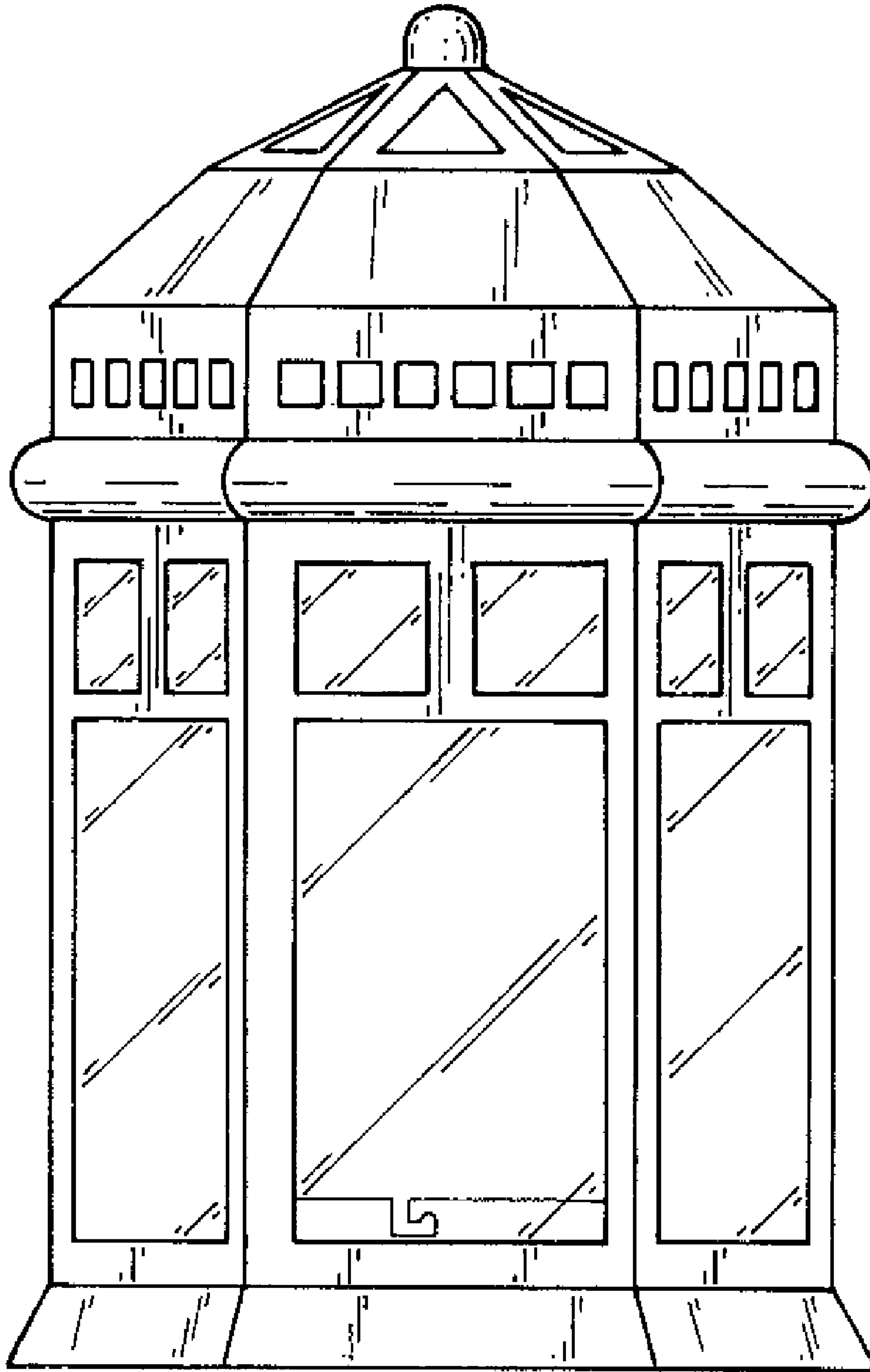


Fig. 3.

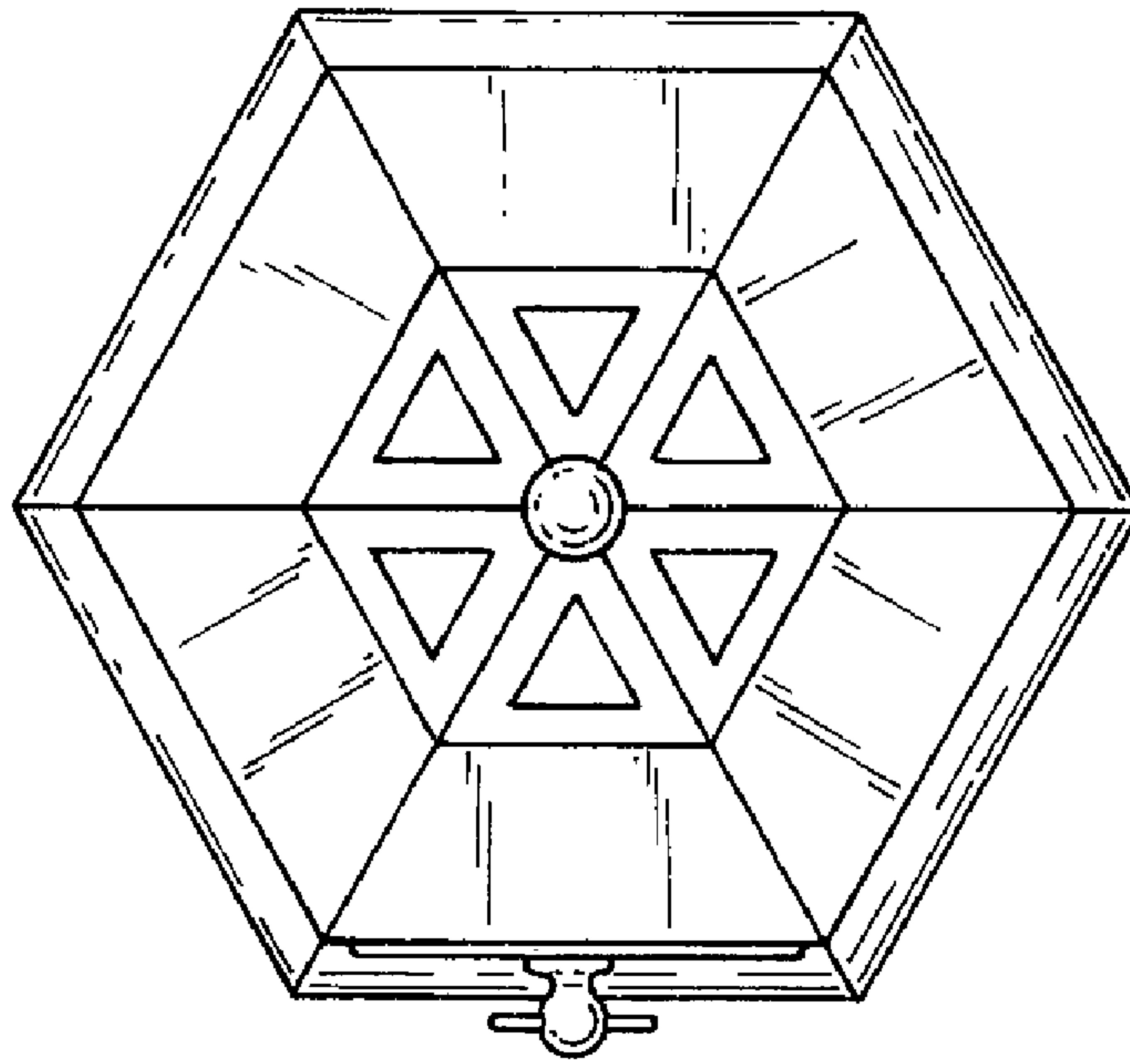


Fig. 4.

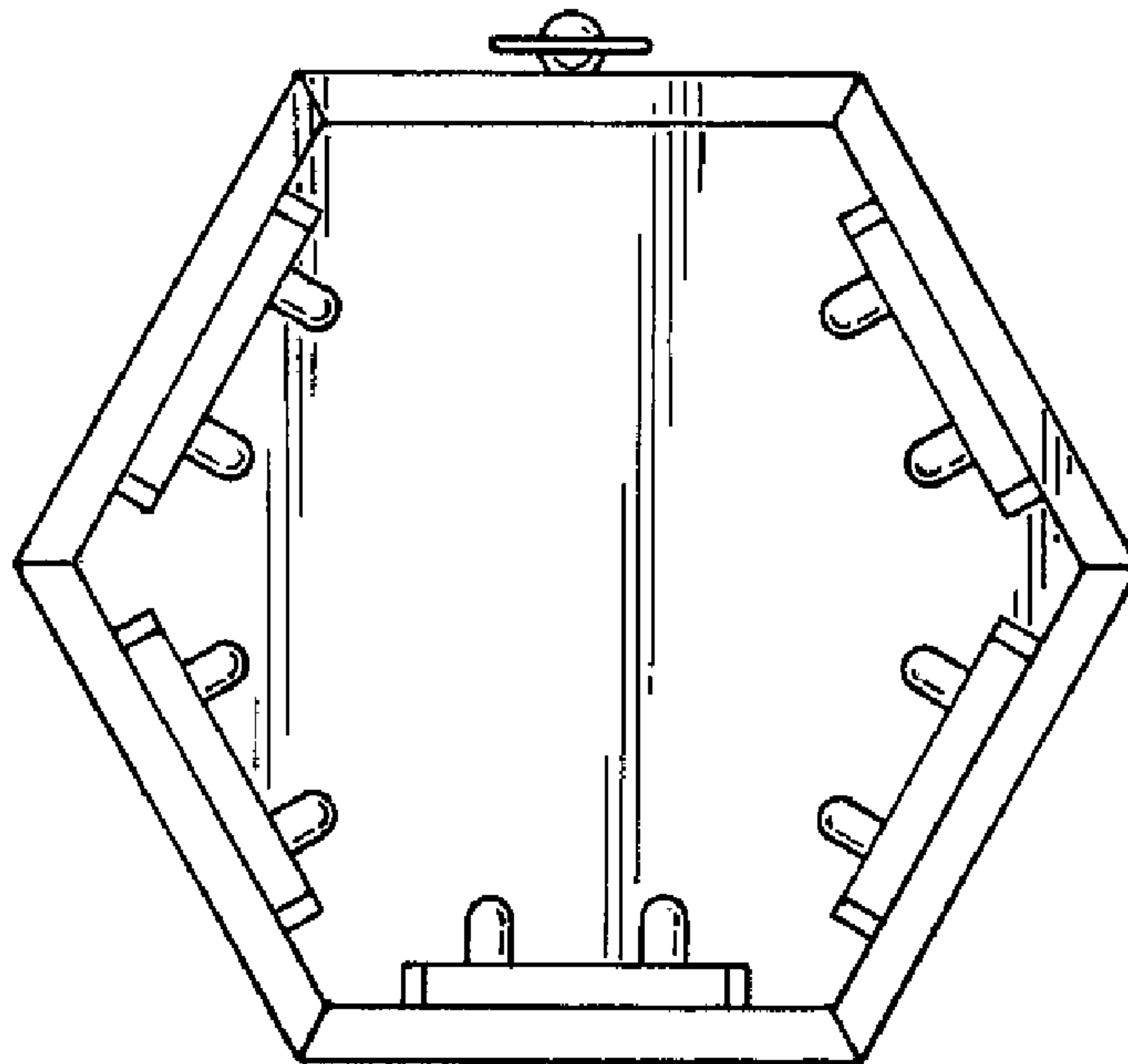


Fig. 5.