



US00D558296S

(12) **United States Design Patent**
Krause

(10) **Patent No.:** **US D558,296 S**

(45) **Date of Patent:** **** Dec. 25, 2007**

(54) **DEER REPELLER**

(76) Inventor: **Damian Krause**, 132 Nassau St., New York, NY (US) 10038

(**) Term: **14 Years**

(21) Appl. No.: **29/247,537**

(22) Filed: **Jun. 26, 2006**

(51) **LOC (8) Cl.** **22-06**

(52) **U.S. Cl.** **D22/120**

(58) **Field of Classification Search** D22/119-125;
43/1, 58, 131, 134; D30/151-152; 119/908,
119/712; 116/28 R

See application file for complete search history.

(56) **References Cited**

U.S. PATENT DOCUMENTS

D415,240 S	*	10/1999	Jackson	D22/120
D447,210 S	*	8/2001	Betzen	D22/120
D538,879 S	*	3/2007	Chen et al.	D22/123

* cited by examiner

Primary Examiner—Catherine R. Oliver

(74) *Attorney, Agent, or Firm*—Marguerite Del Valle

(57) **CLAIM**

I claim the ornamental design for a deer repeller, as shown and described.

DESCRIPTION

FIG. 1 is a front right bottom perspective view of the new ornamental deer repeller of the present invention;

FIG. 2 is a front view thereof;

FIG. 3 is a rear view thereof;

FIG. 4 is a right side view thereof;

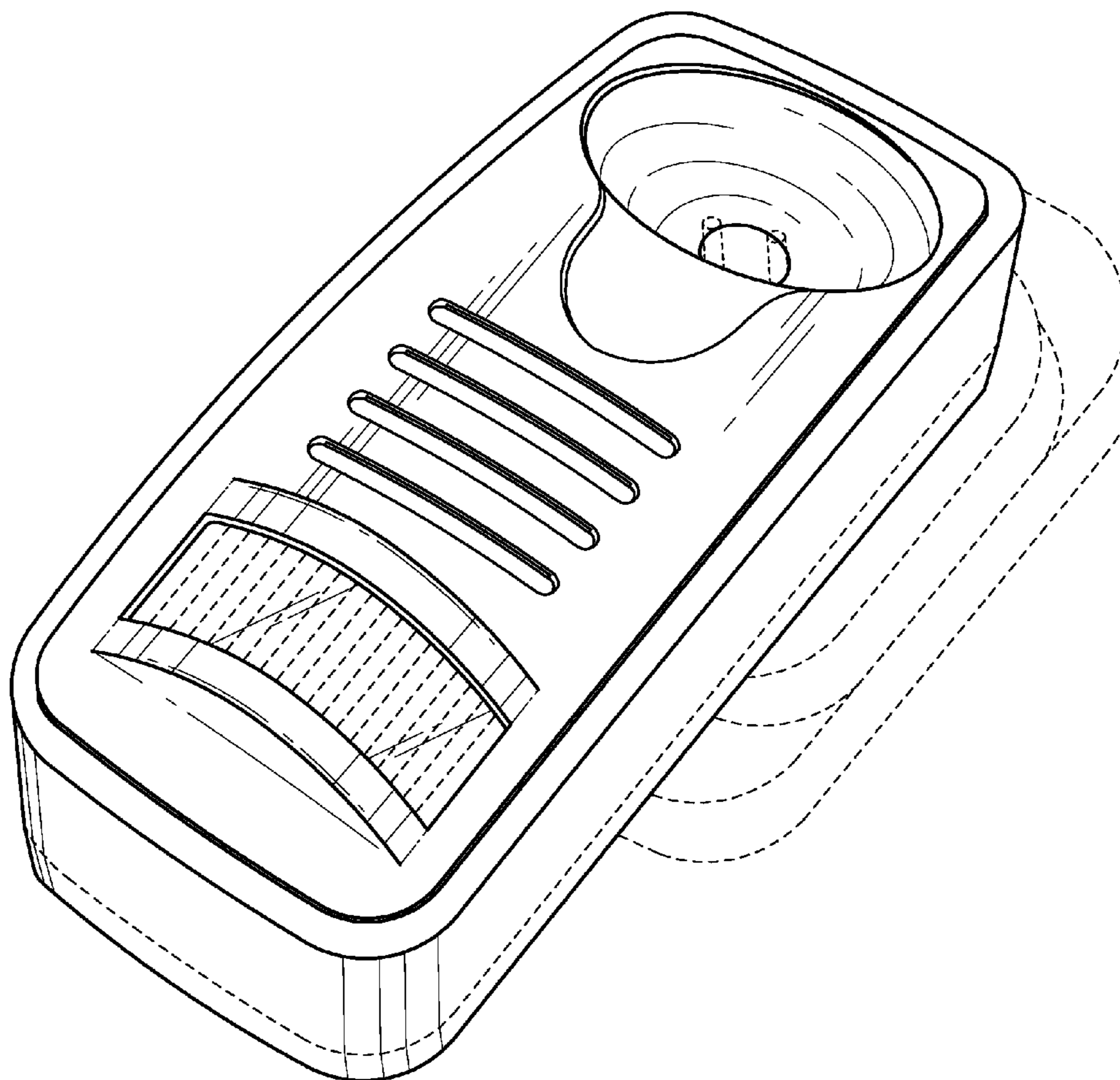
FIG. 5 is a left side view thereof;

FIG. 6 is a top view thereof; and,

FIG. 7 is a bottom view thereof.

The broken line showing of environment in the drawings is included for the purpose of illustrating only and forms no part of the claimed design.

1 Claim, 6 Drawing Sheets



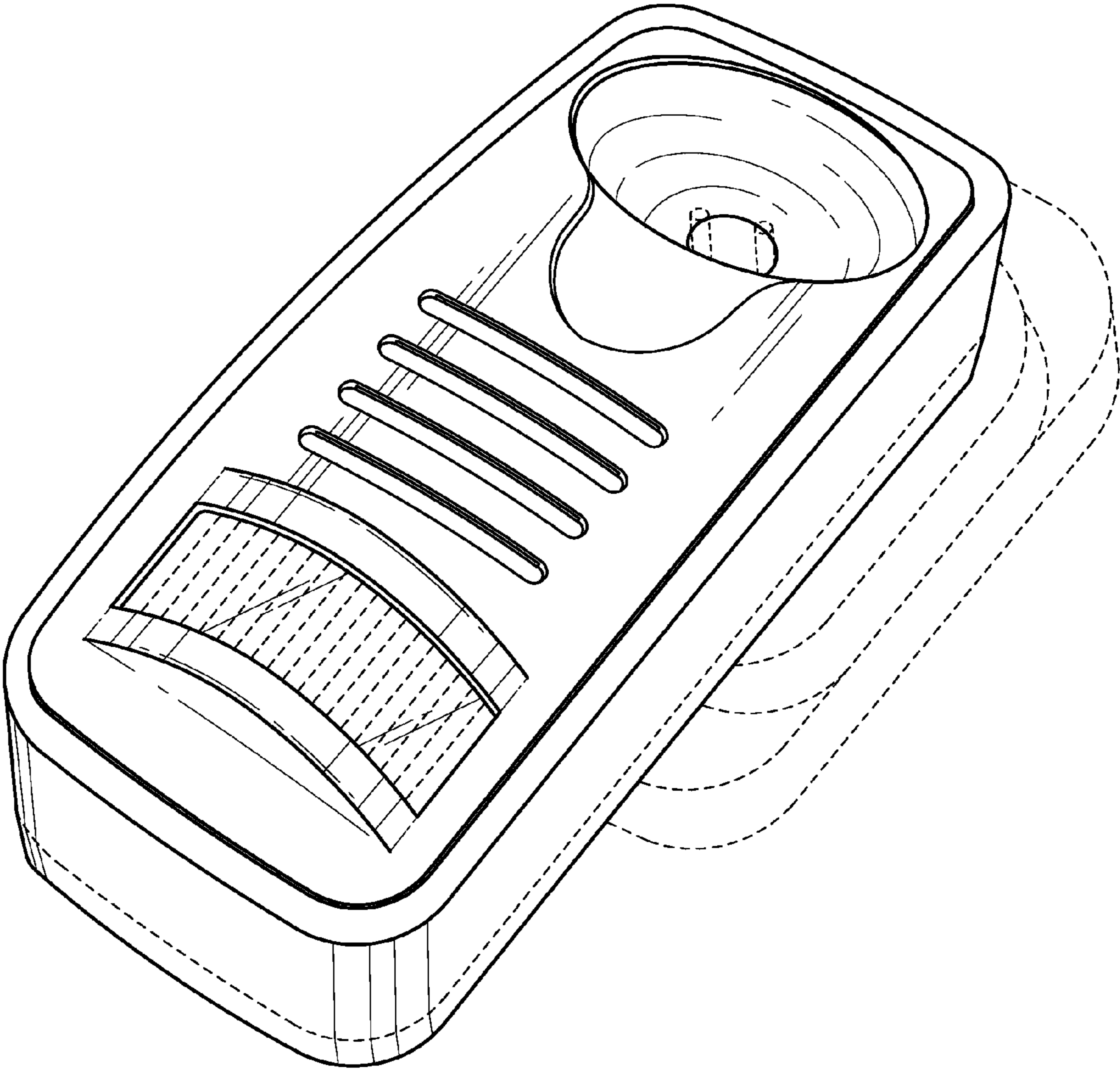


FIG.1

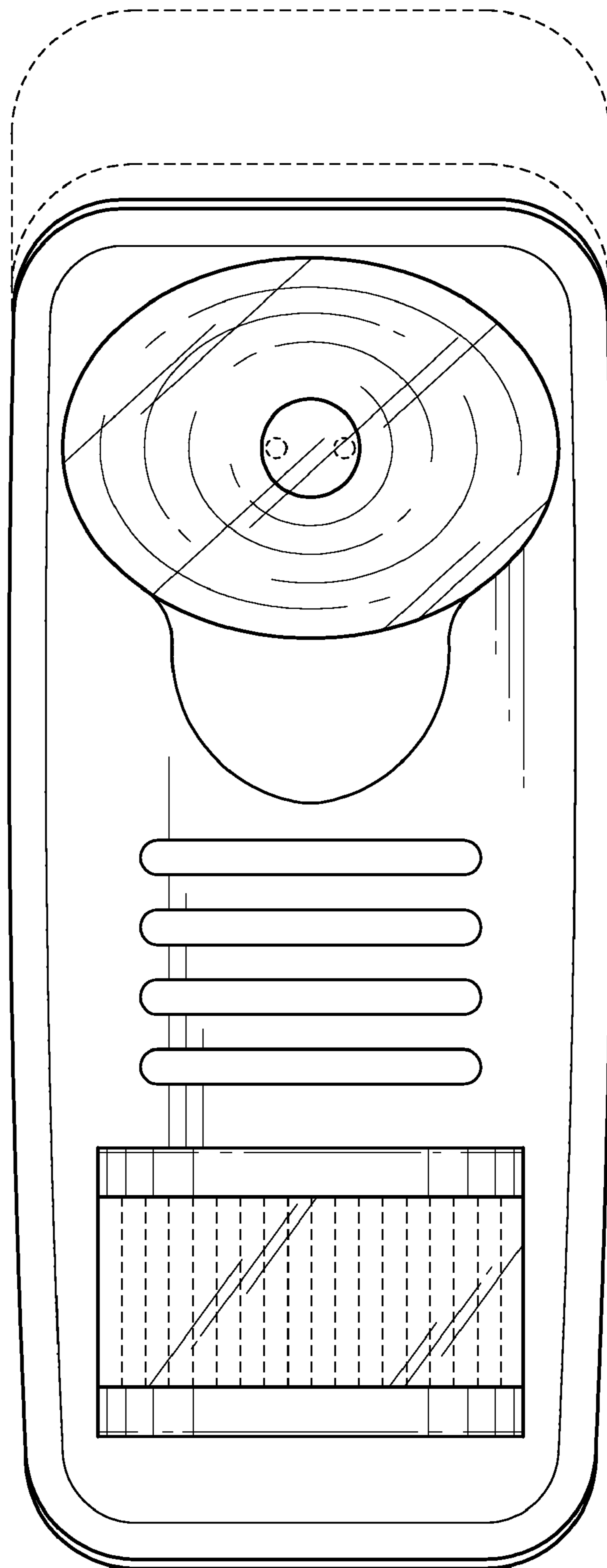


FIG.2

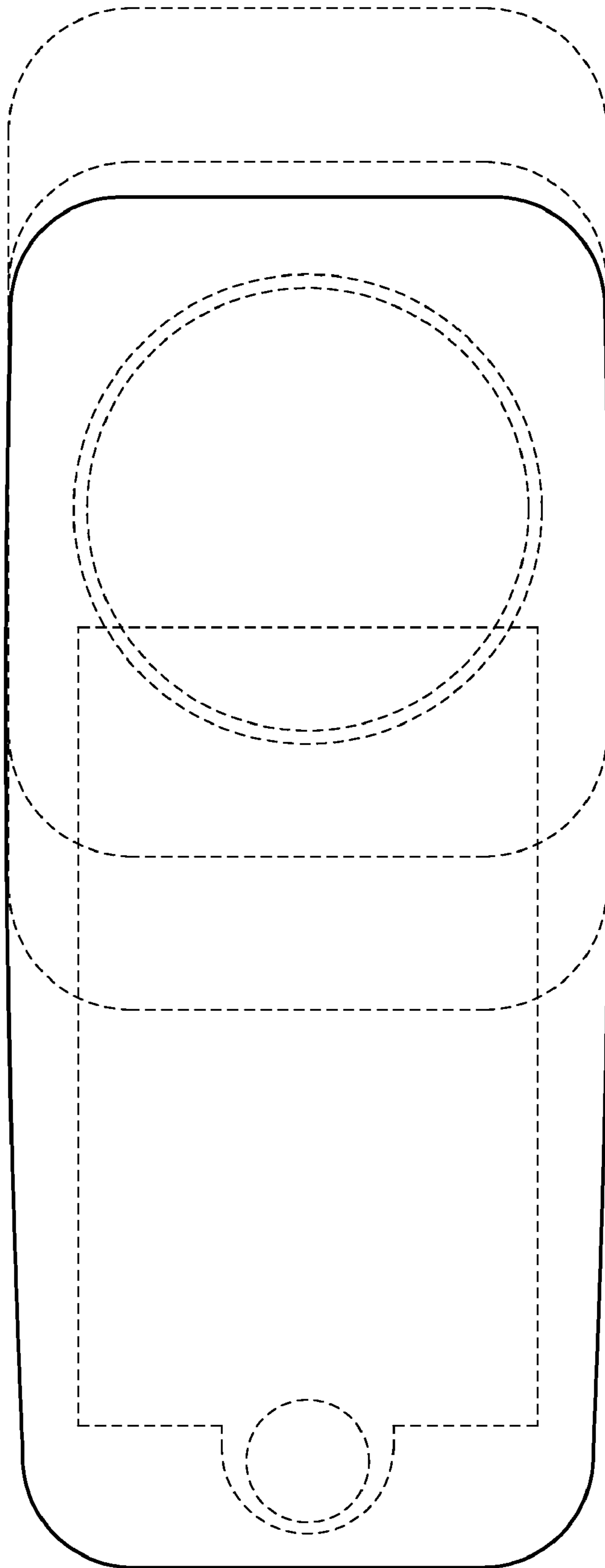
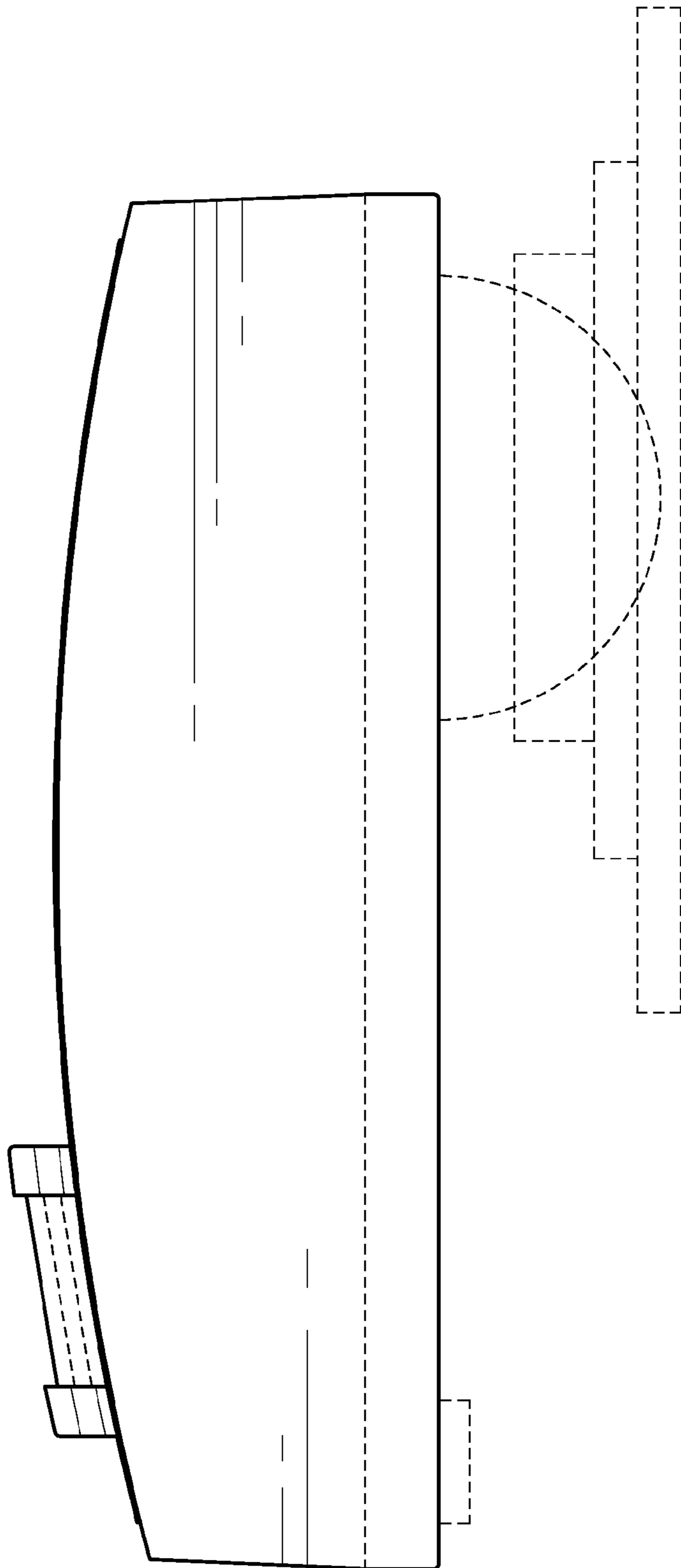


FIG.3

FIG.4



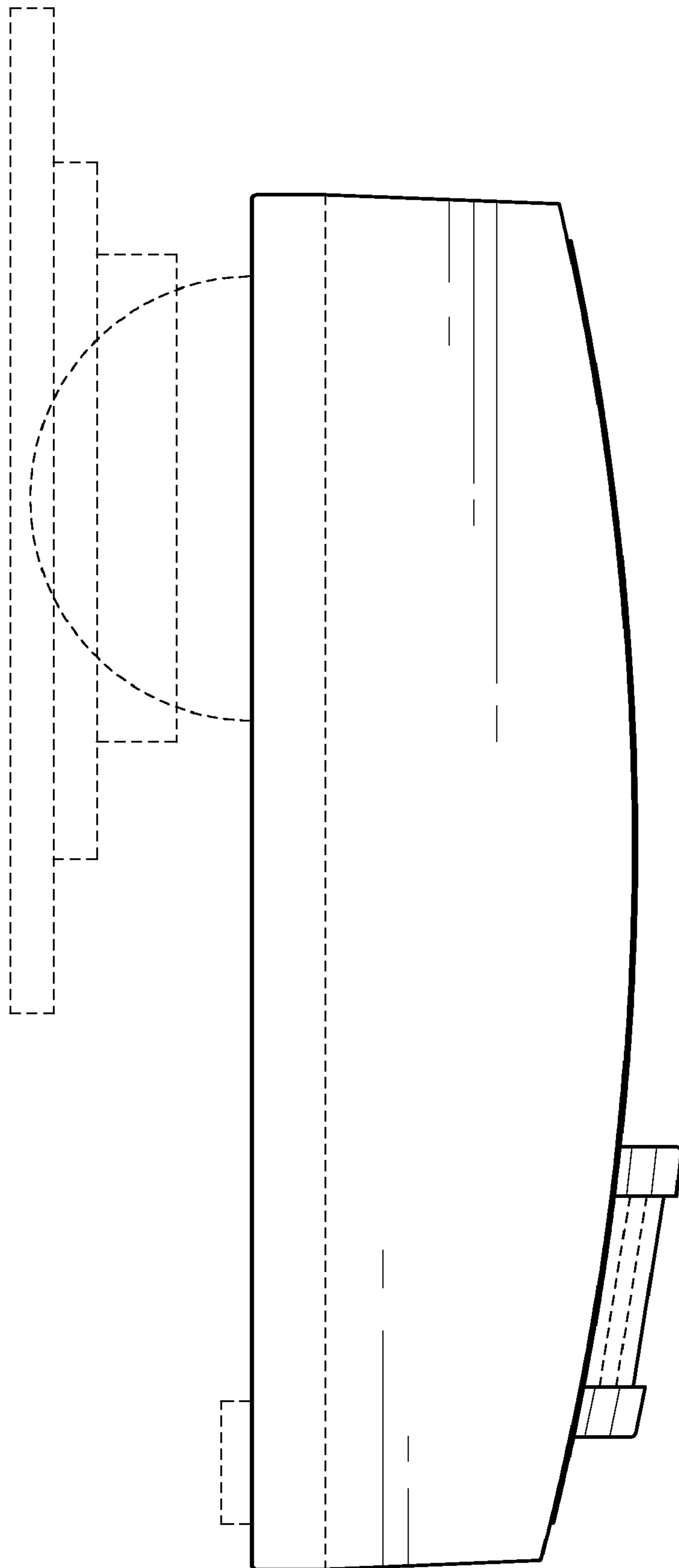


FIG.5

FIG.6

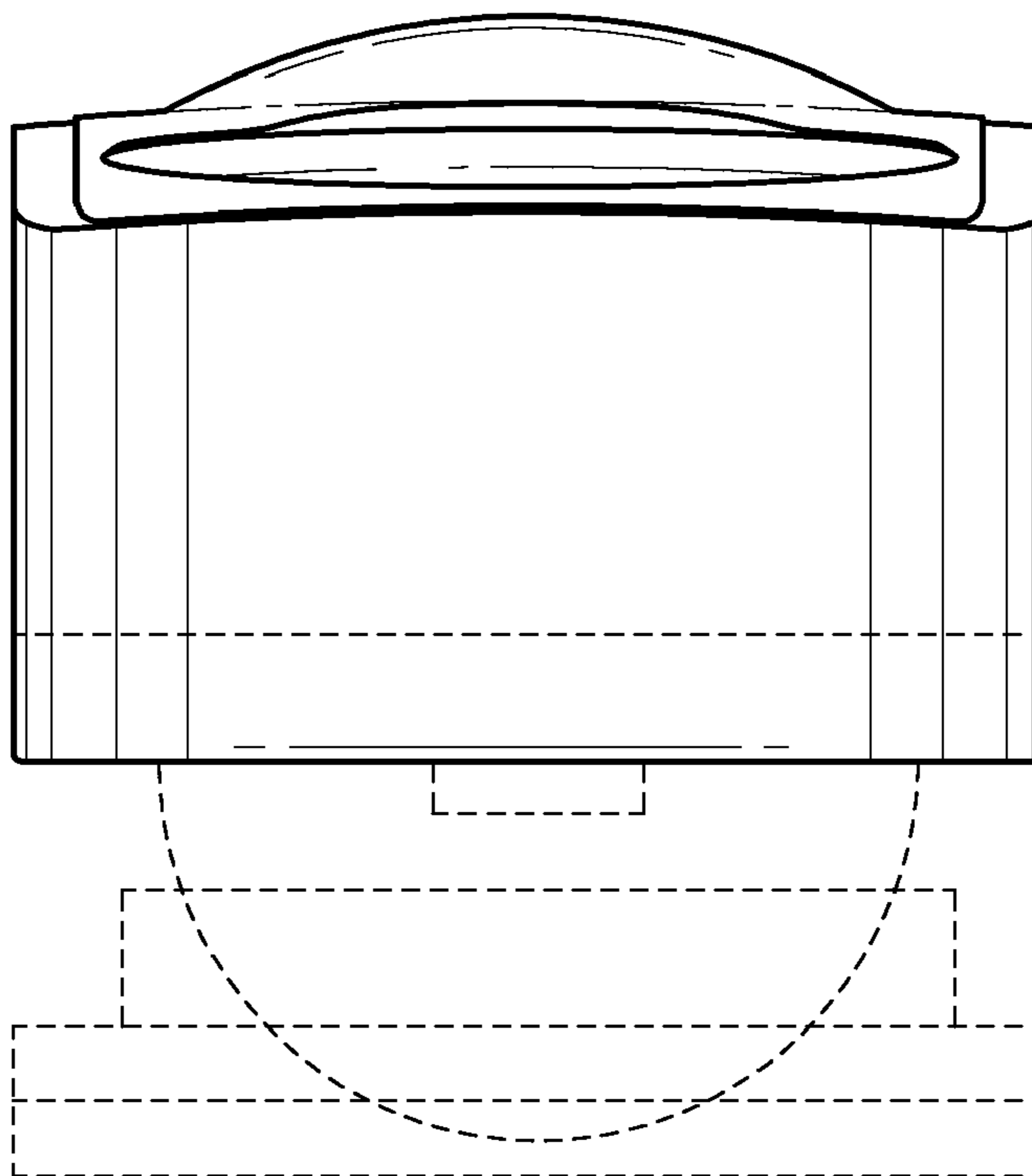


FIG.7

