



(12) **United States Design Patent** (10) **Patent No.:** **US D558,290 S**
Findling (45) **Date of Patent:** **** Dec. 25, 2007**

(54) **SKATEBOARD PLATFORM**

- (75) Inventor: **Keith Findling**, Salt Lake City, UT (US)
 (73) Assignee: **FM Products, Inc.**, Salt Lake City, UT (US)
 (**) Term: **14 Years**
 (21) Appl. No.: **29/250,612**
 (22) Filed: **Nov. 22, 2006**
 (51) **LOC (8) Cl.** **21-02**
 (52) **U.S. Cl.** **D21/765**
 (58) **Field of Classification Search** D21/419, D21/421, 423, 765, 760, 771, 779; 280/87.01, 280/87.021, 87.03, 87.041, 87.042, 57.05, 280/11.115, 11.27, 11.28; 180/180, 181
 See application file for complete search history.

(56) **References Cited**

U.S. PATENT DOCUMENTS

D399,902 S * 10/1998 Lee D21/765
 D498,810 S * 11/2004 Stanisewski, Jr. D21/760
 2003/0107199 A1 * 6/2003 DeSchinkel 280/87.042
 2004/0100054 A1 * 5/2004 Yang 280/87.042
 2006/0082089 A1 * 4/2006 Rejtano 280/87.042

* cited by examiner

Primary Examiner—Holly H. Baynham
Assistant Examiner—Cynthia M. Chin
 (74) *Attorney, Agent, or Firm*—Trent H. Baker; Baker & Associates PLLC

(57) **CLAIM**

The ornamental design for a skateboard platform, as shown and described.

DESCRIPTION

FIG. 1 is a perspective view of a first embodiment of the skateboard platform showing the design and a non-claimed portion of the platform, truck, and set of wheels;

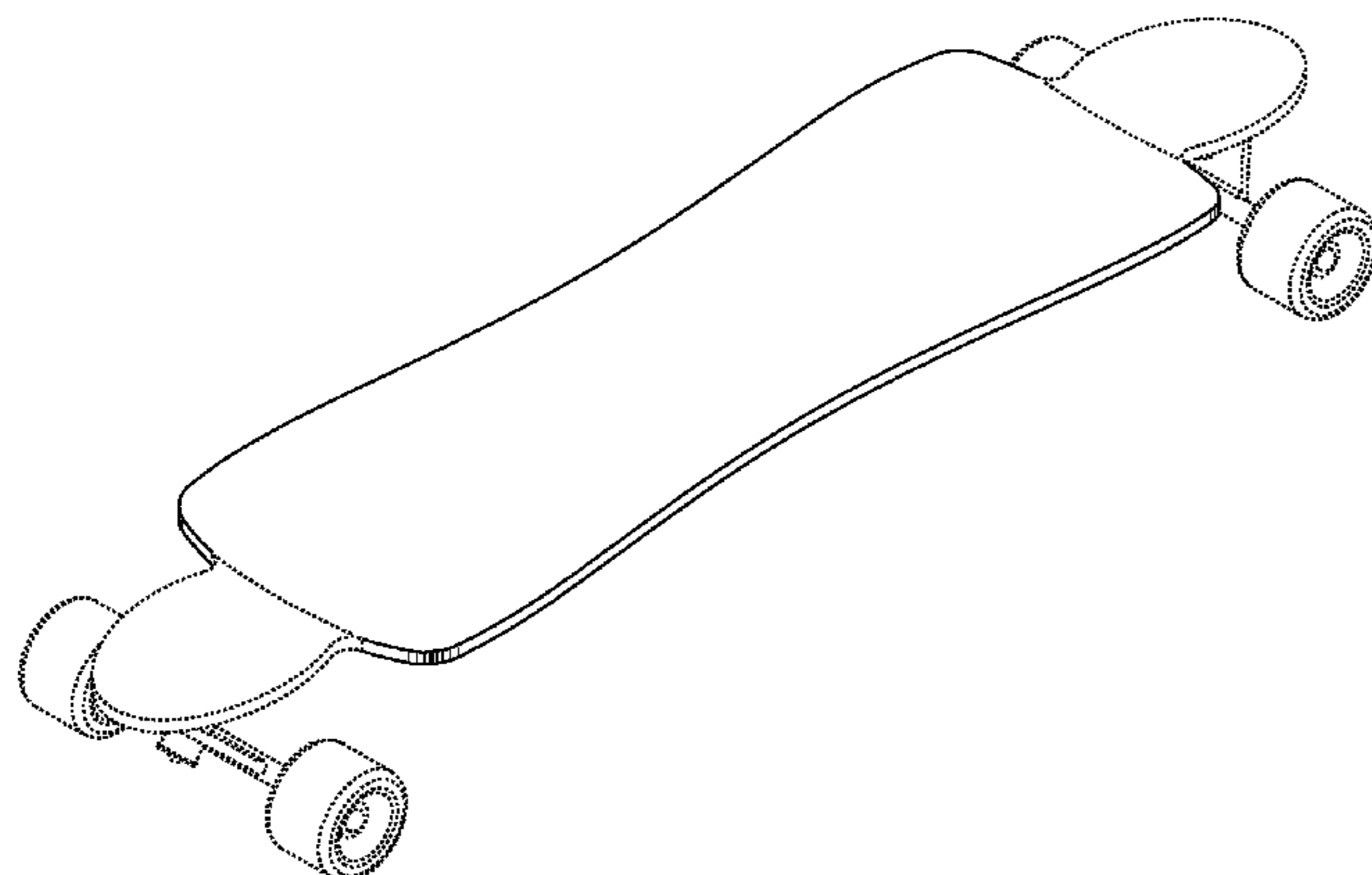


FIG. 2 is a top view of the first embodiment of the skateboard platform showing the design and a non-claimed portion of the platform, truck, and set of wheels;

FIG. 3 is a bottom view of the first embodiment of the skateboard platform showing the design and a non-claimed portion of the platform, truck, and set of wheels;

FIG. 4 is a left side view of the first embodiment of the skateboard platform showing the design and a non-claimed portion of the platform, truck, and set of wheels, the right side view being a mirror image thereof;

FIG. 5 is a front view of a first embodiment of the skateboard platform showing the design and a non-claimed portion of the platform, truck and set of wheels, the rear view being a mirror image thereof;

FIG. 6 is a perspective view of a second embodiment of the skateboard platform showing the design and a non-claimed truck and set of wheels;

FIG. 7 is a top view of the second embodiment of the skateboard platform showing the design and a non-claimed truck and set of wheels;

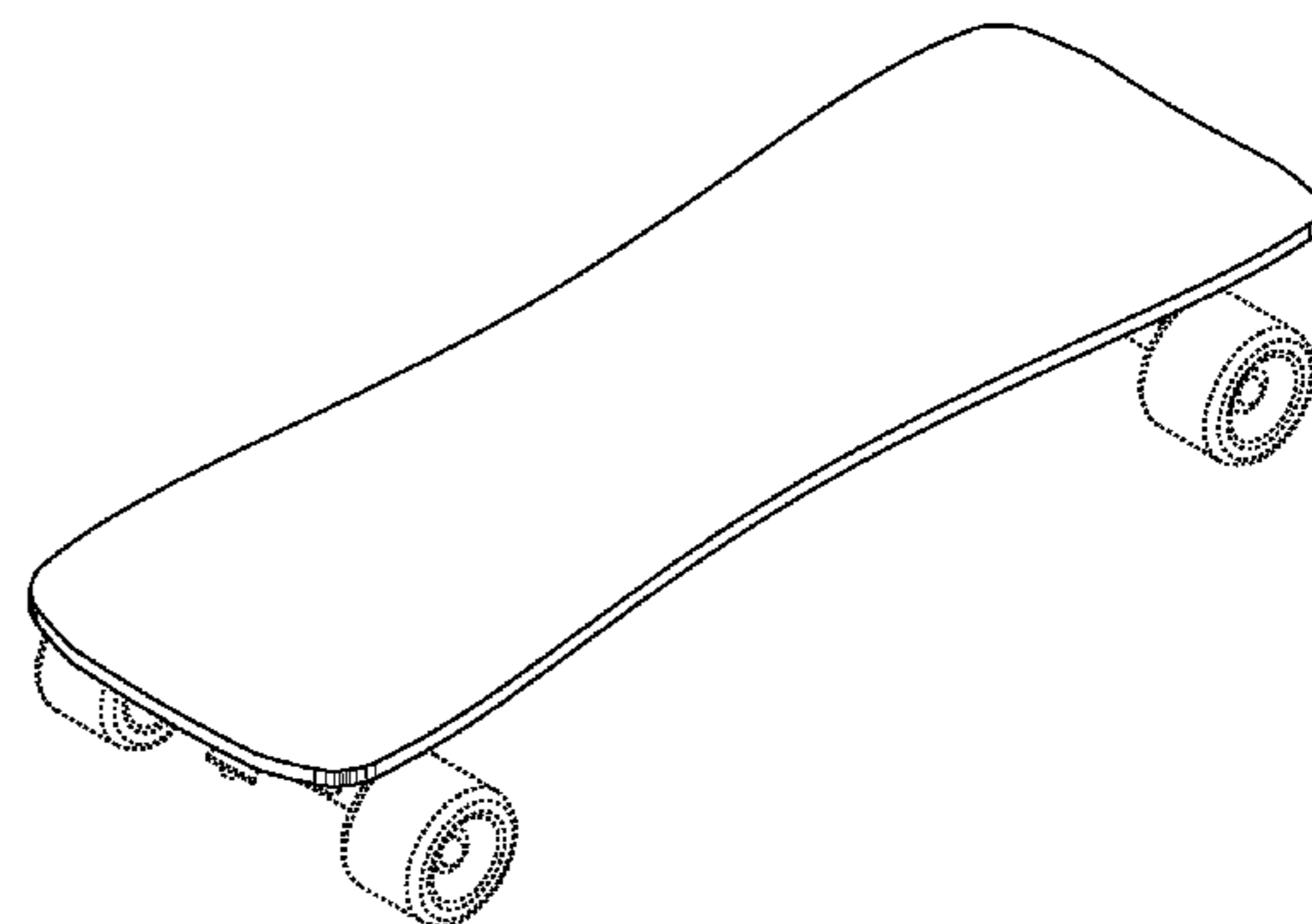
FIG. 8 is a bottom view of the second embodiment of the skateboard platform showing the design and a non-claimed truck and set of wheels;

FIG. 9 is a left side view of the second embodiment of the skateboard platform showing the design and a non-claimed truck and set of wheels, the right side view being a mirror image thereof; and,

FIG. 10 is a front view of the second embodiment of the skateboard platform showing the design and a non-claimed truck and set of wheels, the rear view being a mirror image thereof.

The broken lines are for illustrative purposes only and form no part of the claimed design.

1 Claim, 4 Drawing Sheets



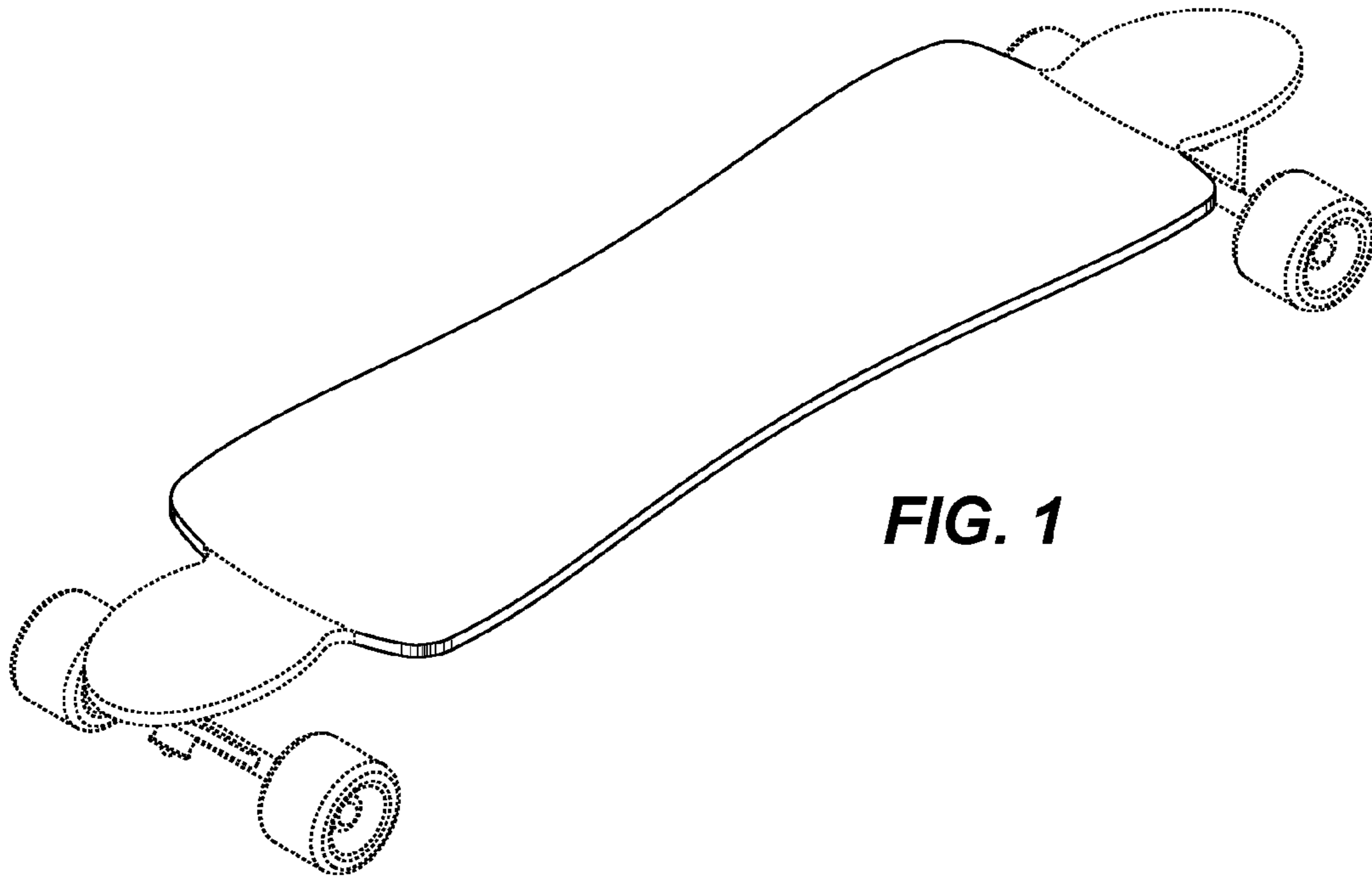


FIG. 1

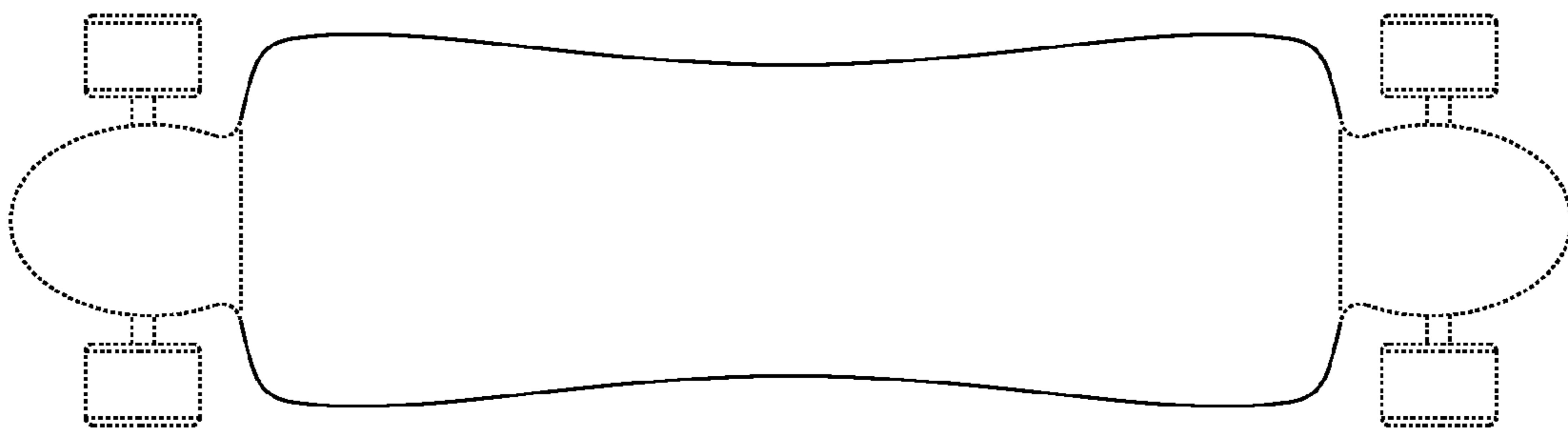


FIG. 2

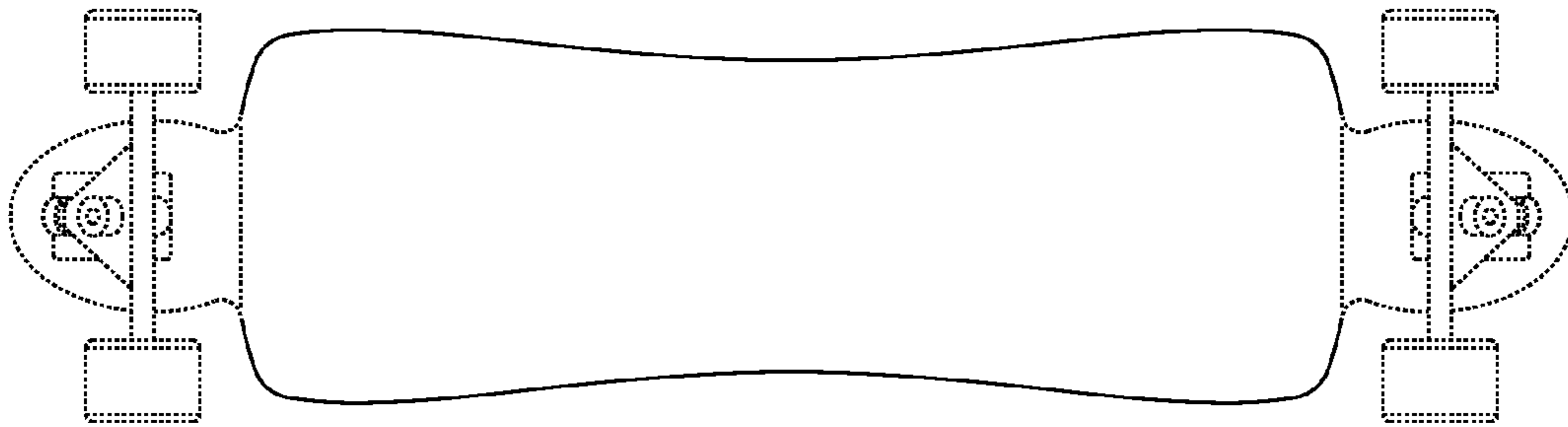


FIG. 3



FIG. 4

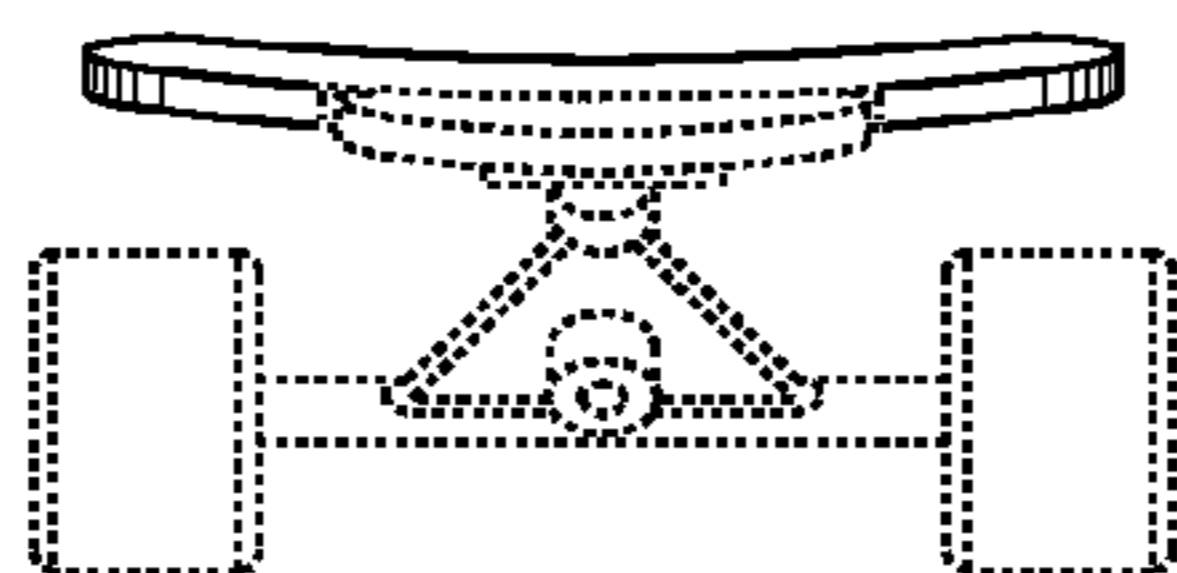


FIG. 5

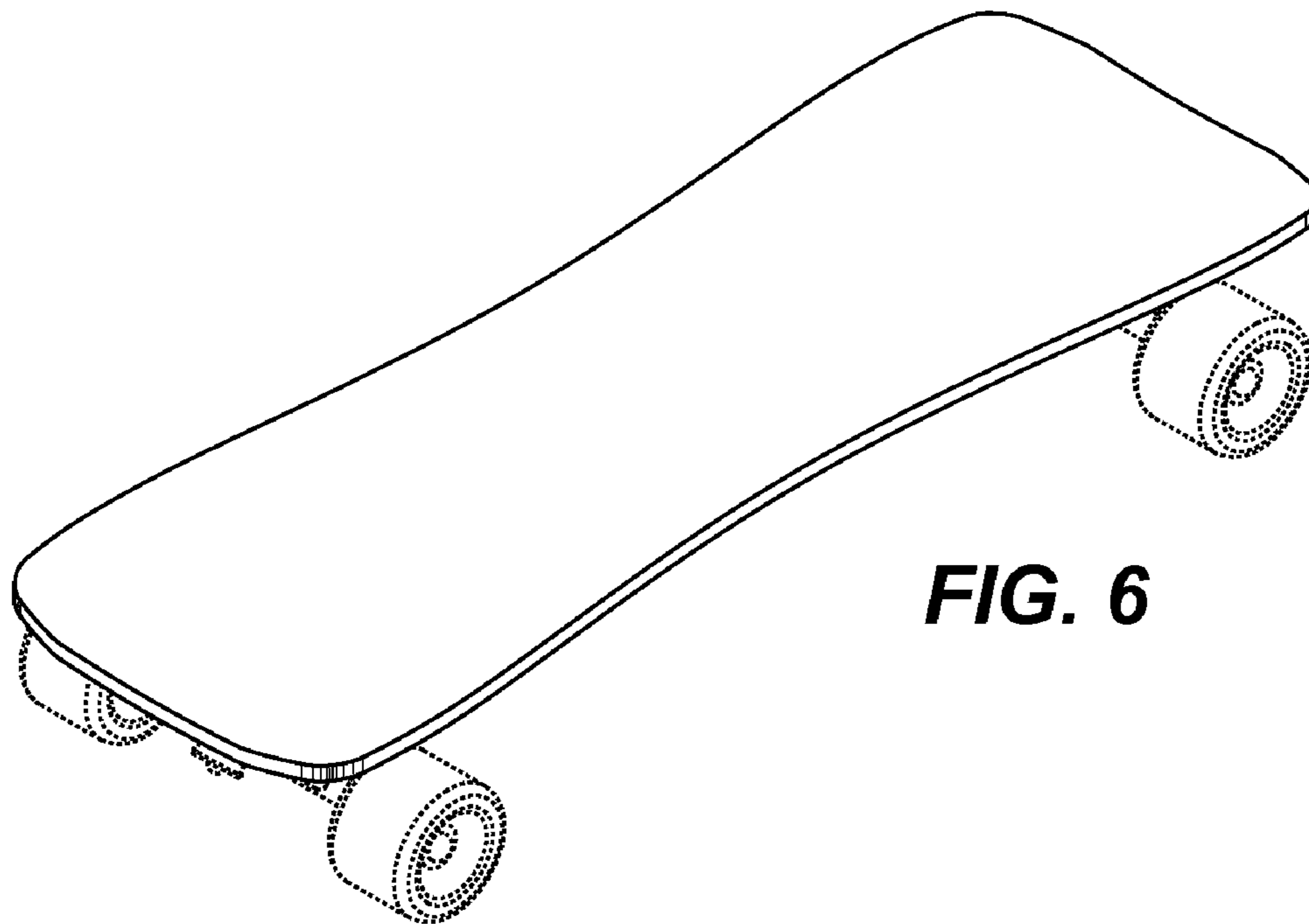


FIG. 6

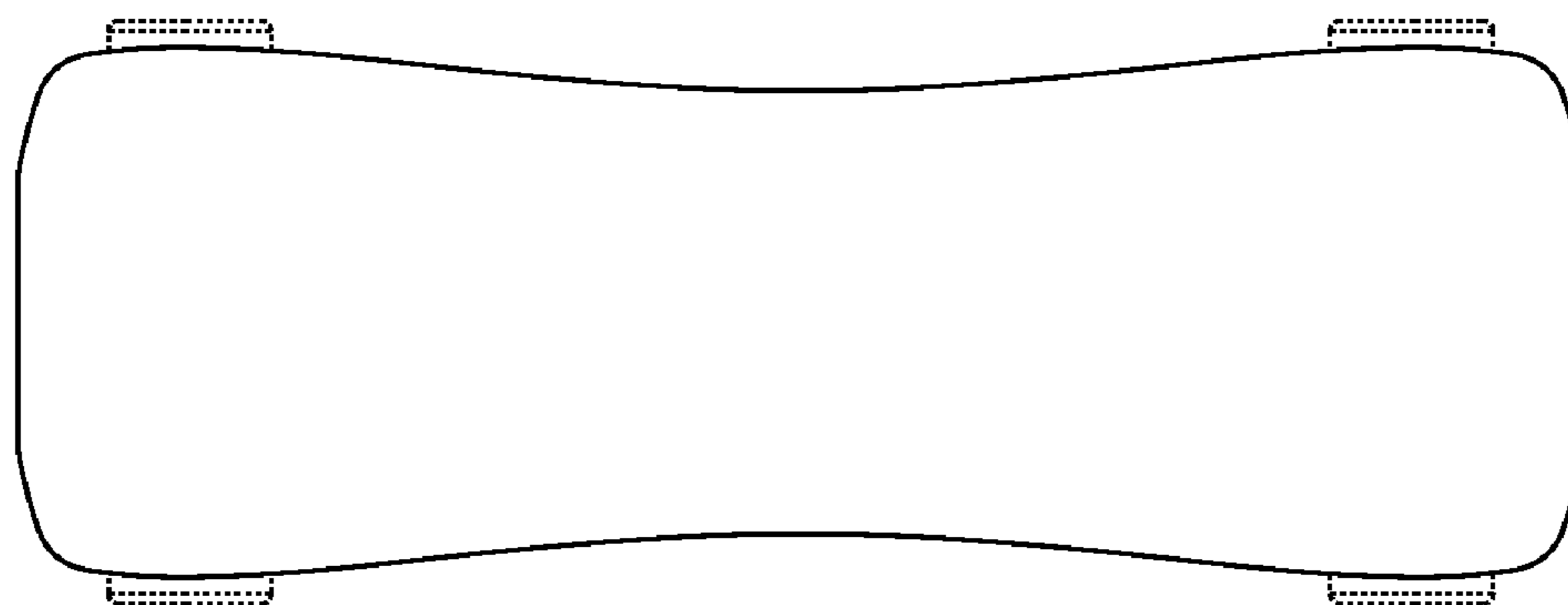


FIG. 7

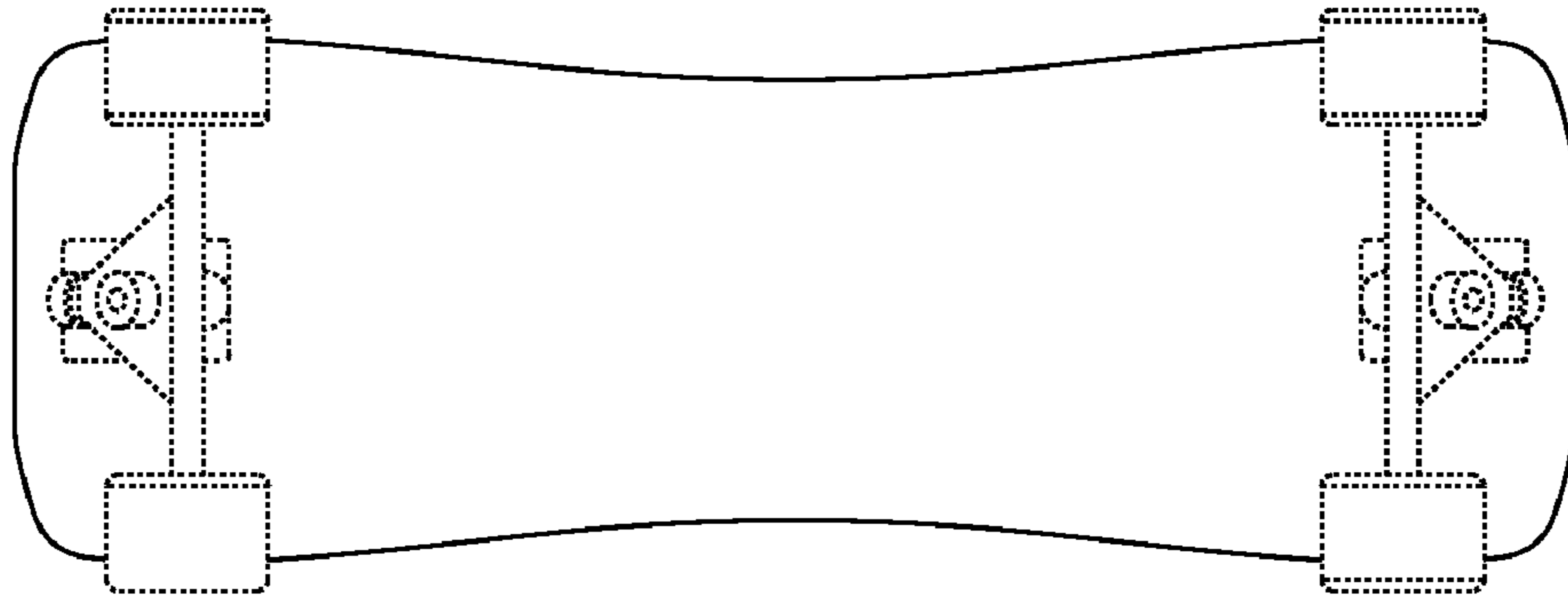


FIG. 8



FIG. 9

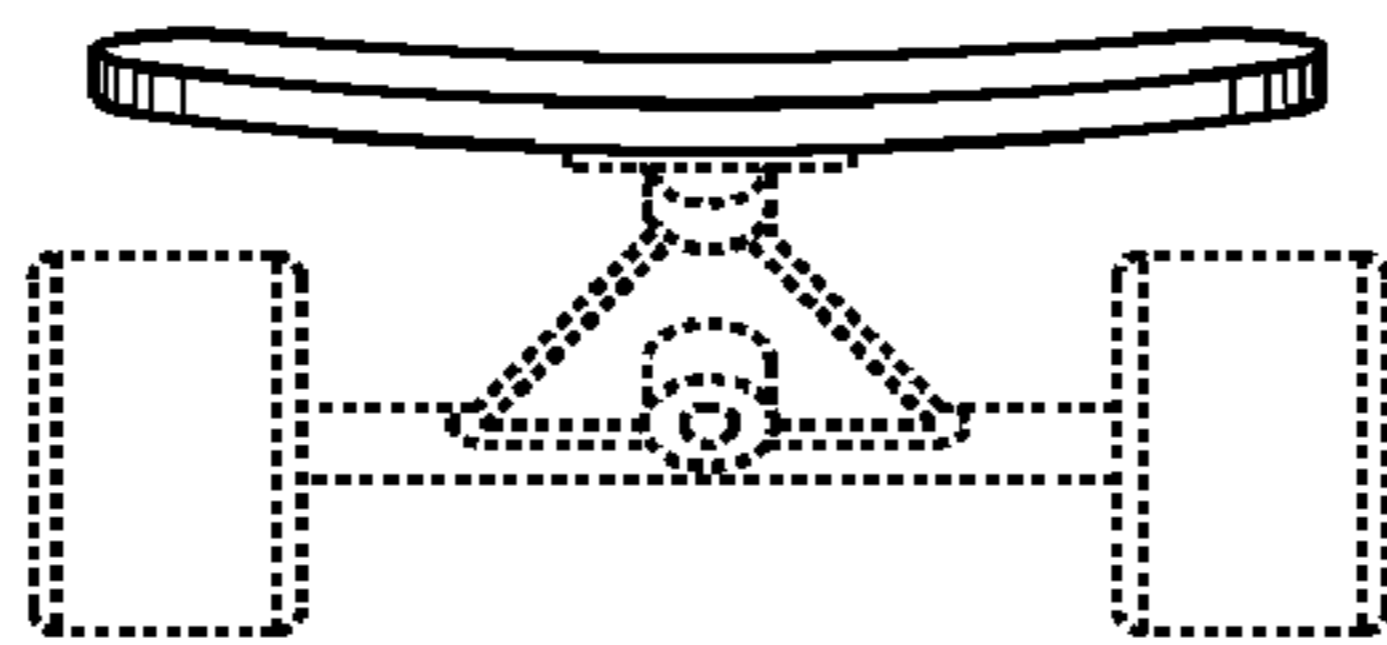


FIG. 10