



US00D558284S

(12) **United States Design Patent**  
**Chen**

(10) **Patent No.:** **US D558,284 S**

(45) **Date of Patent:** **\*\* Dec. 25, 2007**

(54) **EXERCISE MACHINE**

(76) Inventor: **Chao-Chuan Chen**, 235 Chung - Ho  
Box 8-24, Taipei (TW)

(\*\*) Term: **14 Years**

(21) Appl. No.: **29/259,073**

(22) Filed: **May 3, 2006**

(51) **LOC (8) Cl.** ..... **21-02**

(52) **U.S. Cl.** ..... **D21/697; D21/694**

(58) **Field of Classification Search** ..... D21/662,  
D21/663, 665, 666, 667, 668, 670, 694, 697;  
482/51, 52, 57, 58

See application file for complete search history.

(56) **References Cited**

**U.S. PATENT DOCUMENTS**

D398,673 S *	9/1998	Huang	.....	D21/663
D399,894 S *	10/1998	Chiu	.....	D21/663
D437,369 S *	2/2001	Tsushi	.....	D21/666
D439,289 S *	3/2001	Moran et al.	.....	D21/666
D479,865 S *	9/2003	Arai et al.	.....	D21/666
D513,421 S *	1/2006	Nagano	.....	D21/666

D539,857 S \* 4/2007 Bingham et al. .... D21/697

\* cited by examiner

*Primary Examiner*—Philip S. Hyder

(57) **CLAIM**

The ornamental design for a exercise machine, as shown and described.

**DESCRIPTION**

FIG. 1 is a perspective view of a exercise machine showing my new design.

FIG. 2 is a front elevational view thereof.

FIG. 3 is a rear elevational view thereof.

FIG. 4 is a left side view thereof;

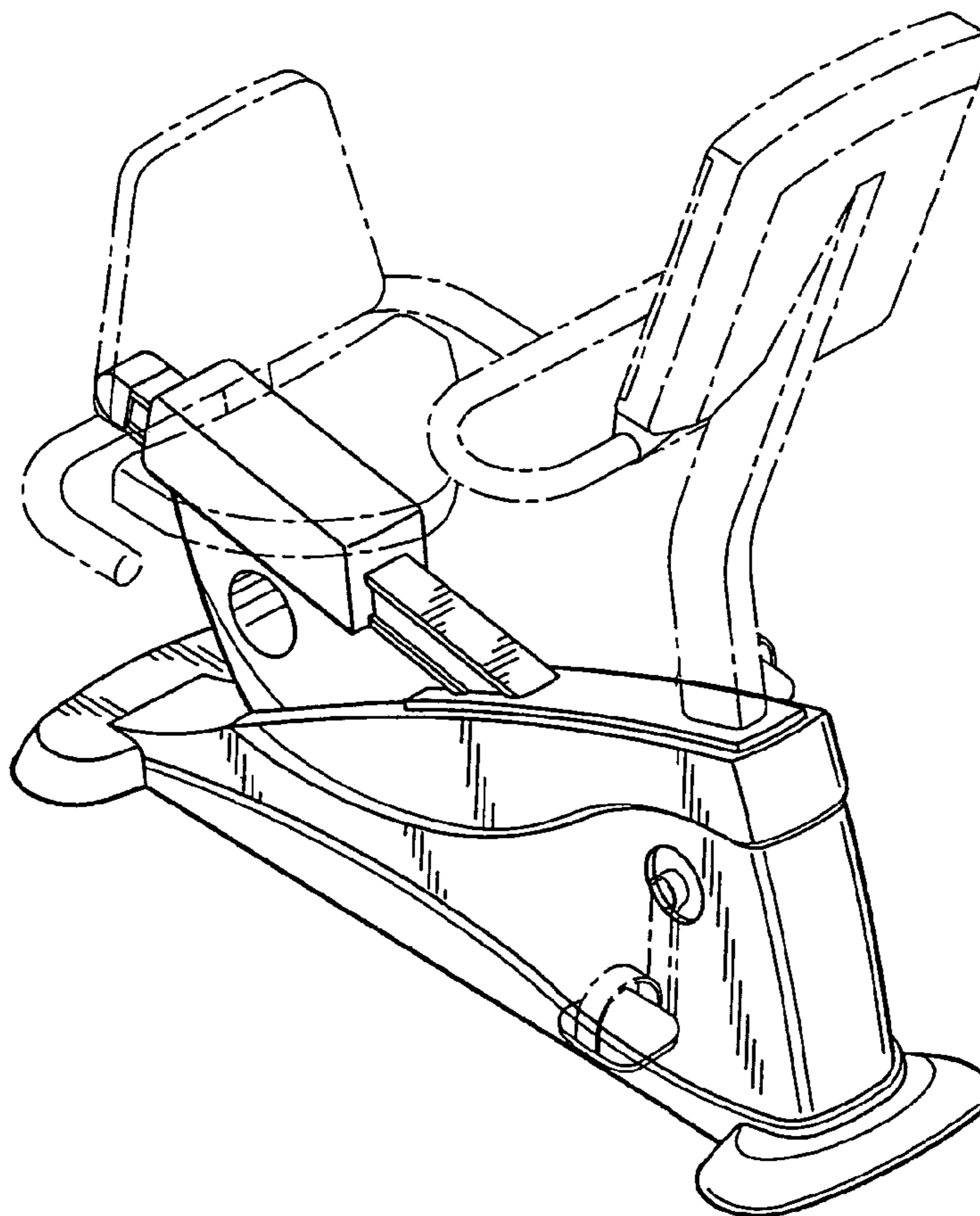
FIG. 5 is a right side view thereof.

FIG. 6 is a top plan view thereof.

FIG. 7 is a bottom plan view thereof; and,

FIG. 8 is a perspective view thereof, wherein the broken line portions of the exerciser structure are for illustrative purposes only and form no part of the claimed design.

**1 Claim, 5 Drawing Sheets**



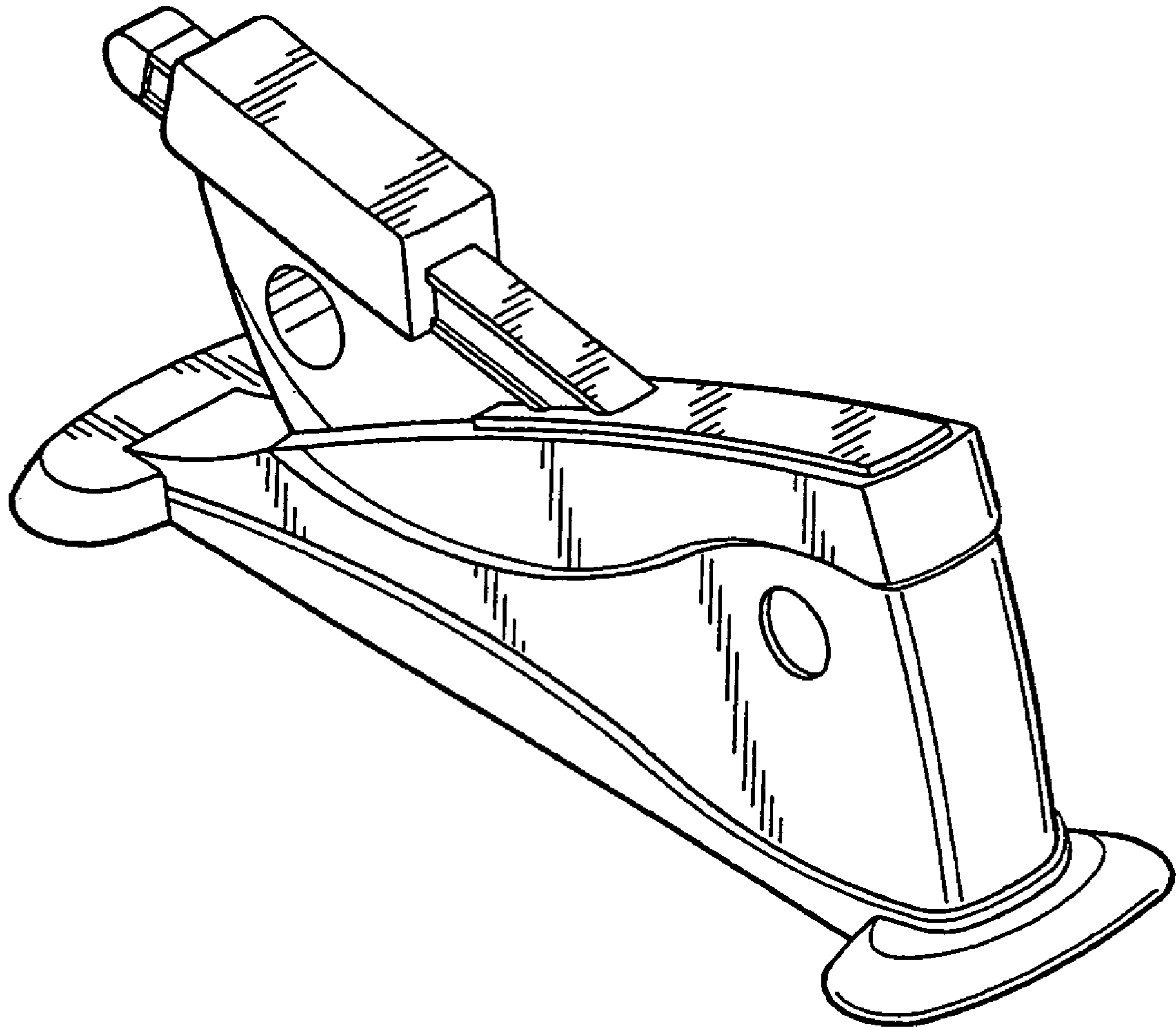


FIG. 1

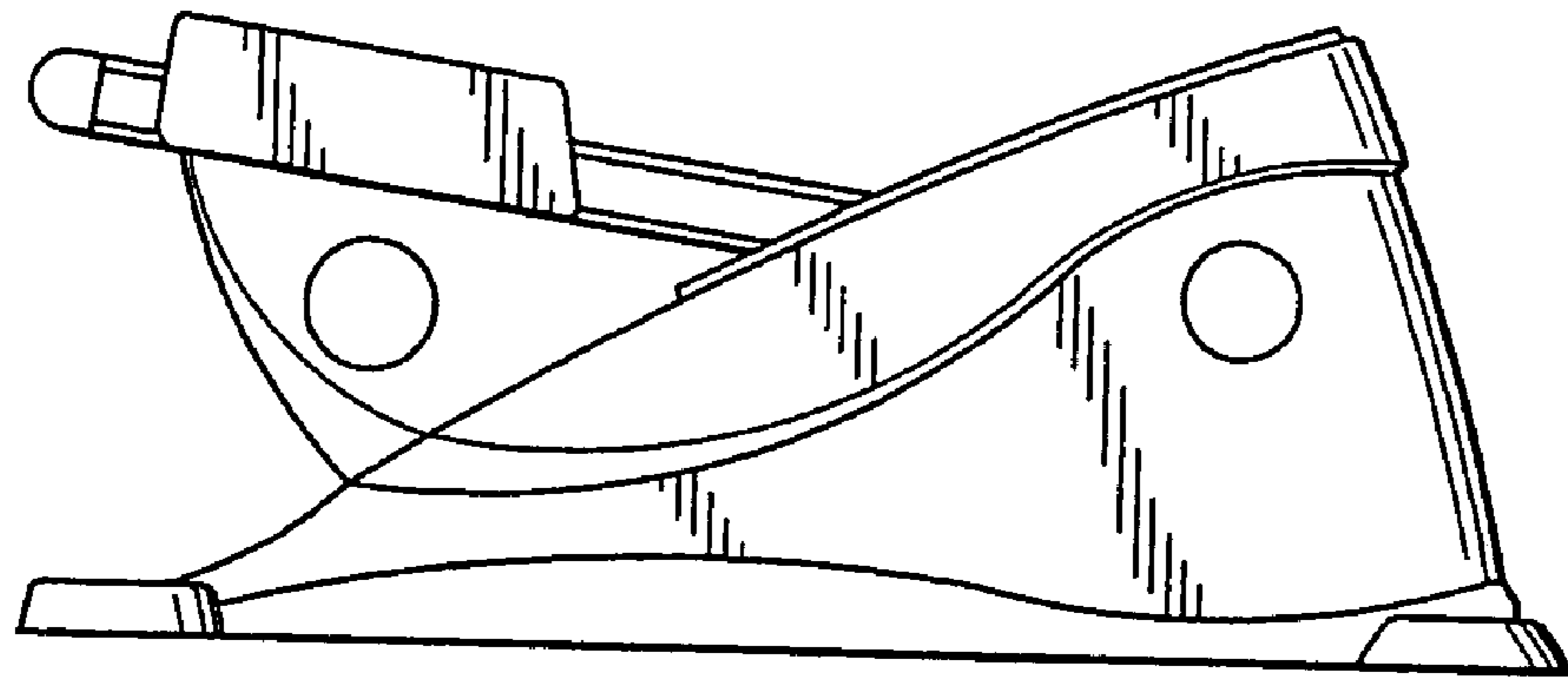


FIG. 2

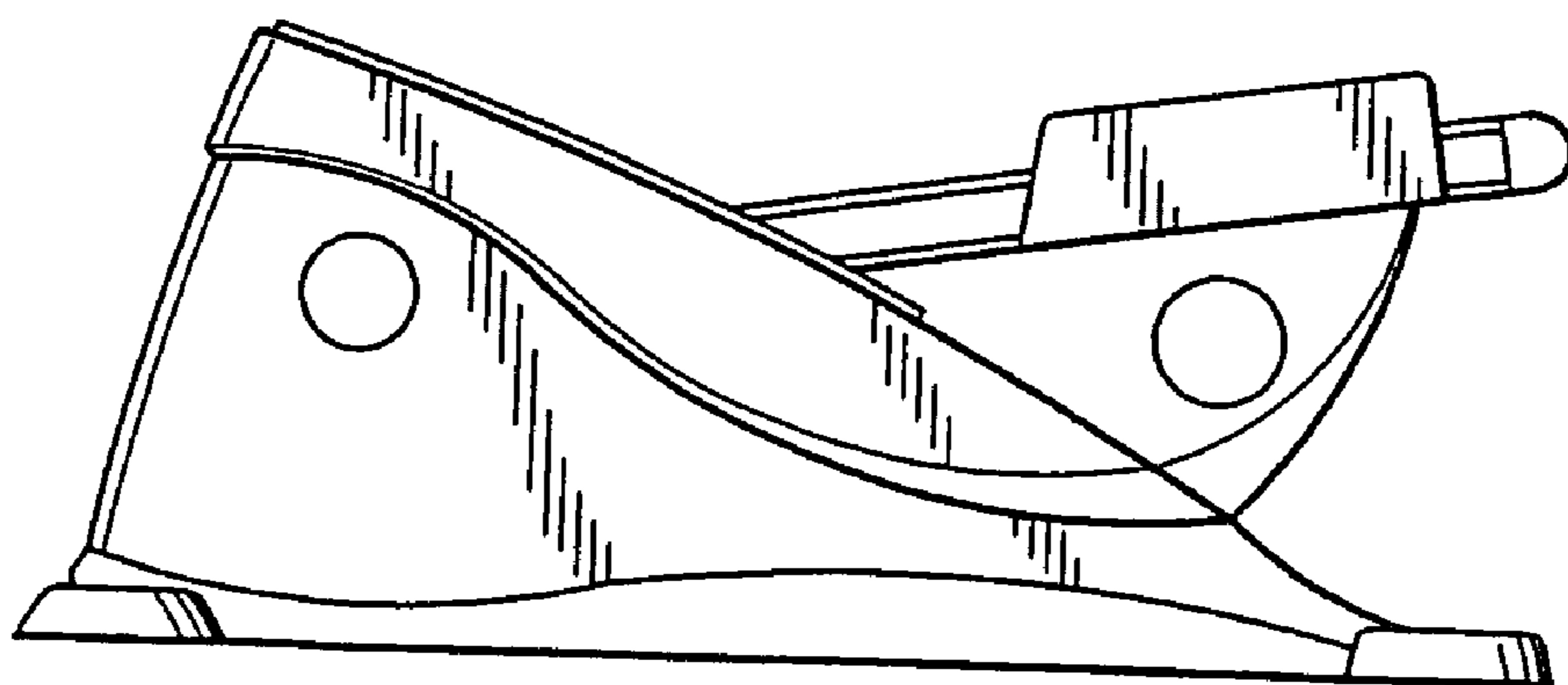


FIG. 3

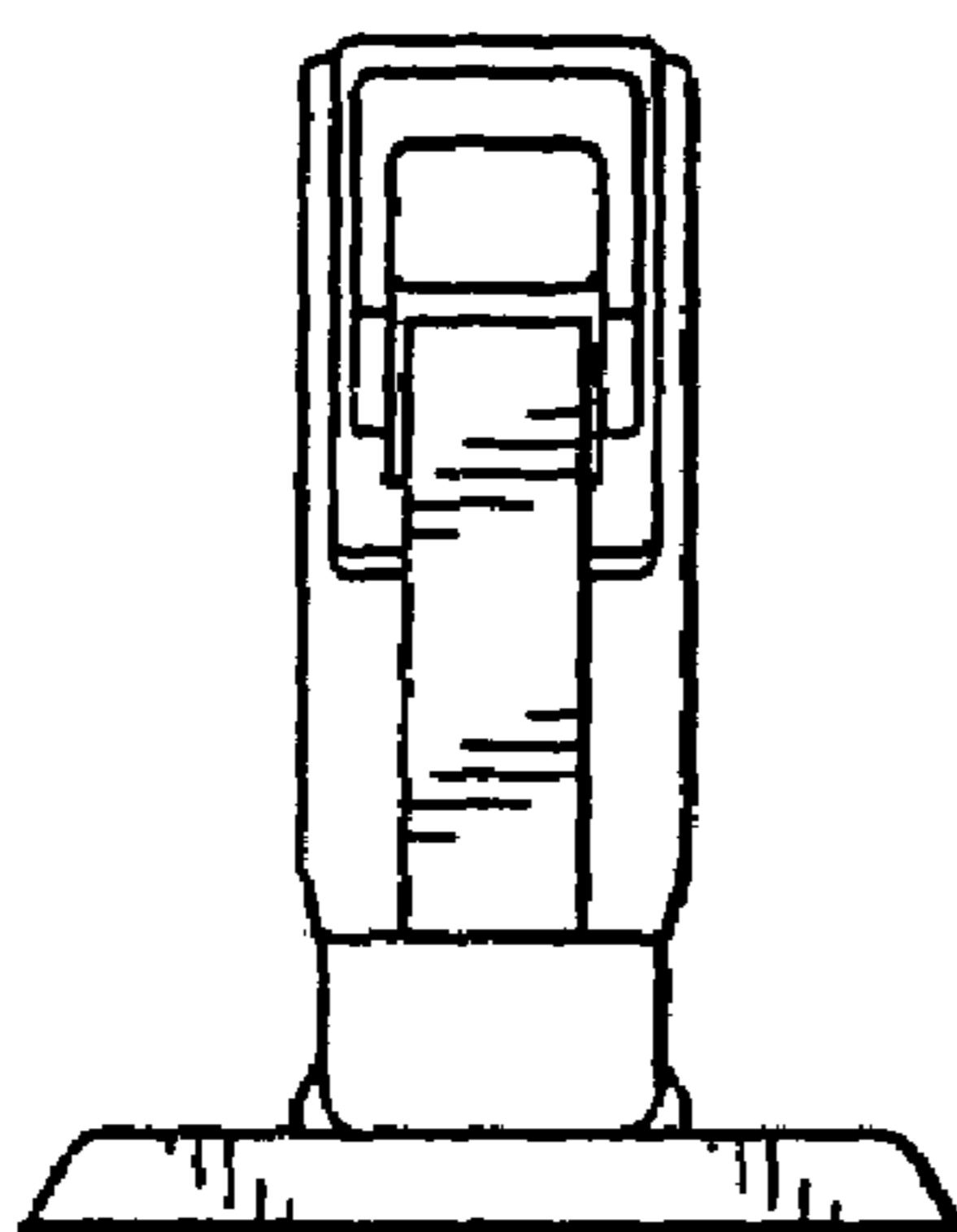


FIG. 4

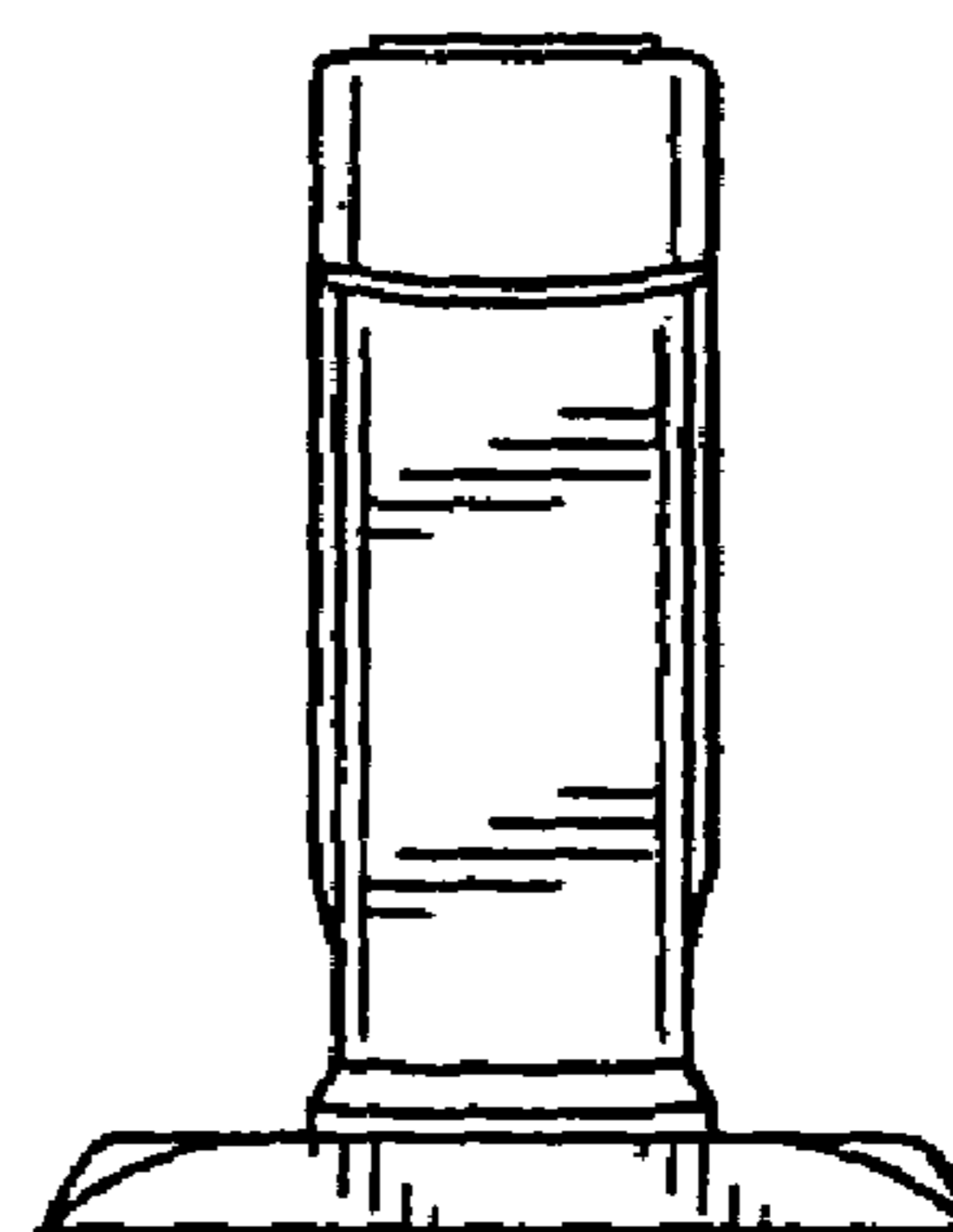


FIG. 5

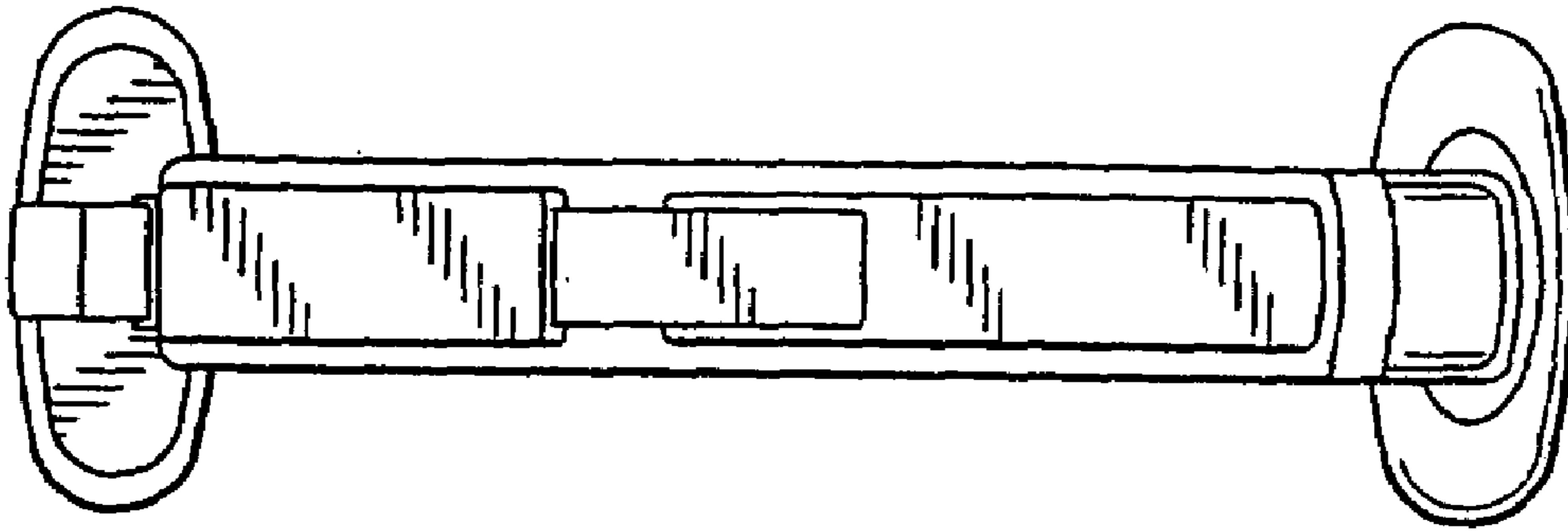


FIG. 6

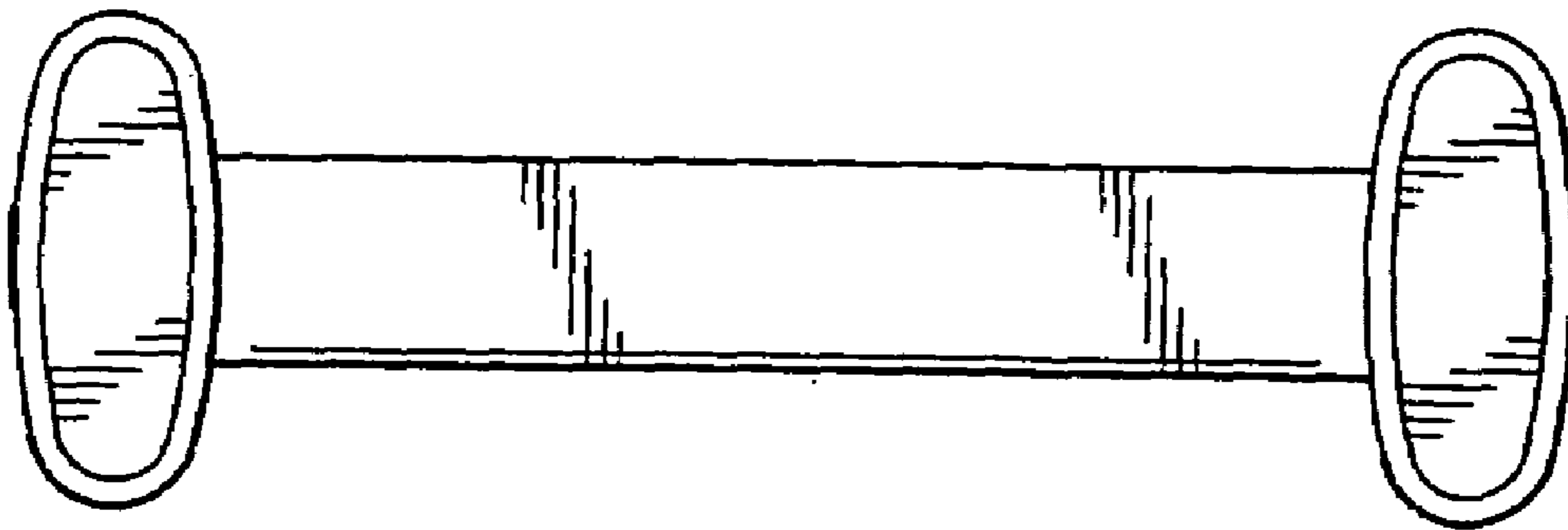


FIG. 7

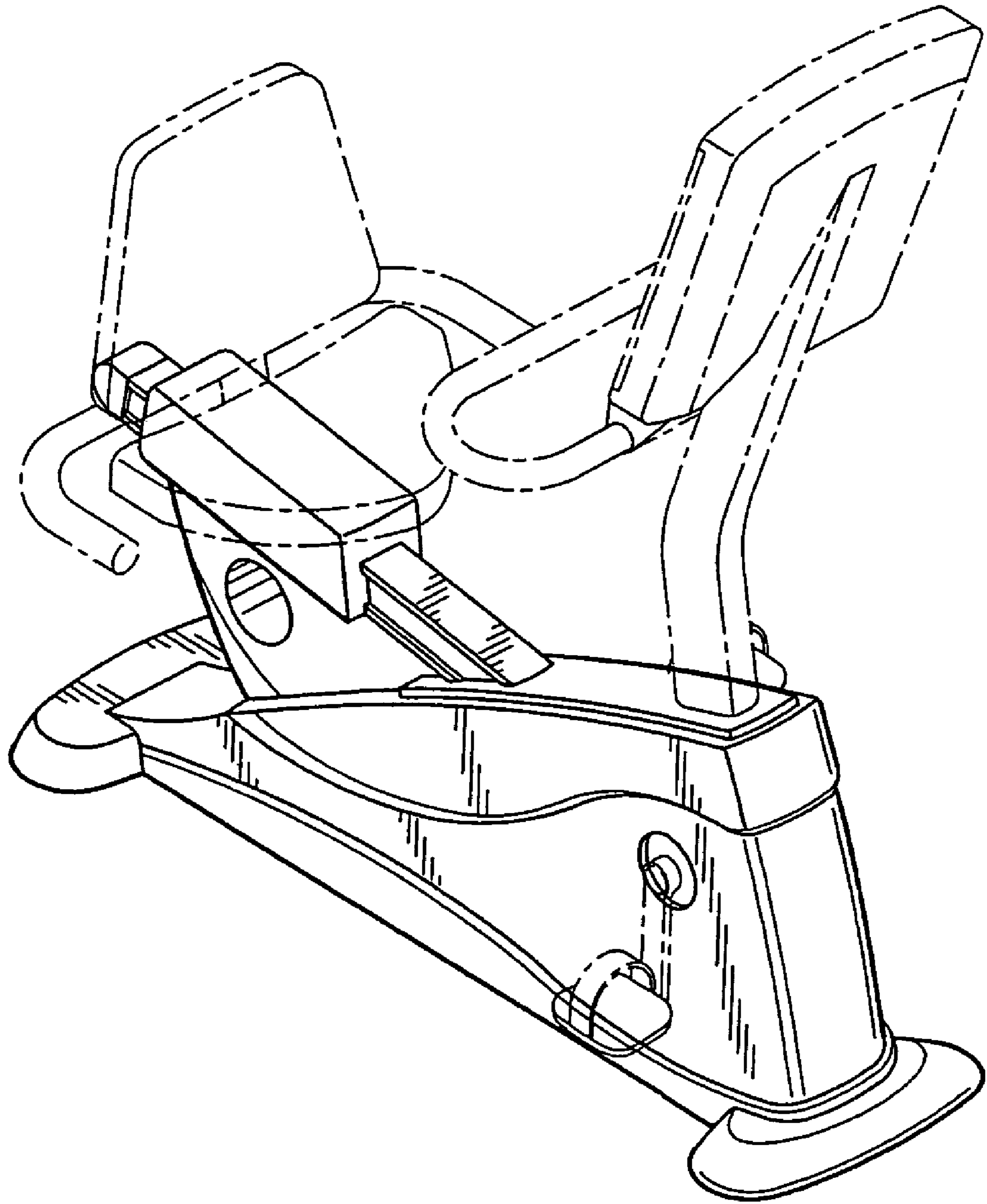


FIG. 8