



US00D558282S

(12) **United States Design Patent**
Husted et al.

(10) **Patent No.:** **US D558,282 S**

(45) **Date of Patent:** **** Dec. 25, 2007**

(54) **EXERCISE MACHINE**

(76) Inventors: **Royce H. Husted**, 1294 Elkton Farm Rd., Forest, VA (US) 24551; **Joel P. Husted**, 1293 Elkton Farm Rd., Forest, VA (US) 24551

(**) Term: **14 Years**

(21) Appl. No.: **29/265,678**

(22) Filed: **Sep. 6, 2006**

(51) **LOC (8) Cl.** **21-02**

(52) **U.S. Cl.** **D21/668**

(58) **Field of Classification Search** D21/662,
D21/663, 668, 669, 670; 482/51, 54, 57,
482/52, 70

See application file for complete search history.

(56) **References Cited**

U.S. PATENT DOCUMENTS

| | | | | | |
|-----------|-----|---------|--------|-------|---------|
| 5,584,780 | A * | 12/1996 | Lin | | 482/51 |
| D378,841 | S * | 4/1997 | Huang | | D21/668 |
| 5,616,103 | A * | 4/1997 | Lee | | 482/51 |
| 5,655,998 | A * | 8/1997 | Yu | | 482/51 |
| D390,628 | S * | 2/1998 | Husted | | 21/668 |
| D391,610 | S * | 3/1998 | Husted | | D21/668 |
| D392,005 | S * | 3/1998 | Piaget | | D21/668 |

| | | | | | |
|-----------|------|---------|-----------------|-------|---------|
| D392,006 | S * | 3/1998 | Dalebout et al. | | D21/668 |
| D392,350 | S * | 3/1998 | Huang | | D21/668 |
| D393,296 | S * | 4/1998 | Lee | | D21/668 |
| D403,033 | S * | 12/1998 | Husted et al. | | D21/668 |
| D507,025 | S * | 7/2005 | Husted et al. | | D21/668 |
| 7,217,225 | B2 * | 5/2007 | Husted et al. | | 482/51 |

* cited by examiner

Primary Examiner—Philip S. Hyder

(74) *Attorney, Agent, or Firm*—Nicholas A. Camastro

(57) **CLAIM**

We claim the ornamental design for an exercise machine, as shown.

DESCRIPTION

FIG. 1 is a top, front and left side perspective view of an exercise machine showing our new design;

FIG. 2 is a right side elevation thereof;

FIG. 3 is a front elevation thereof;

FIG. 4 is a top plan view thereof; and,

FIG. 5 is a rear elevation thereof.

The left side elevation is a mirror image of the right side elevation. The bottom is free of ornamentation.

1 Claim, 5 Drawing Sheets

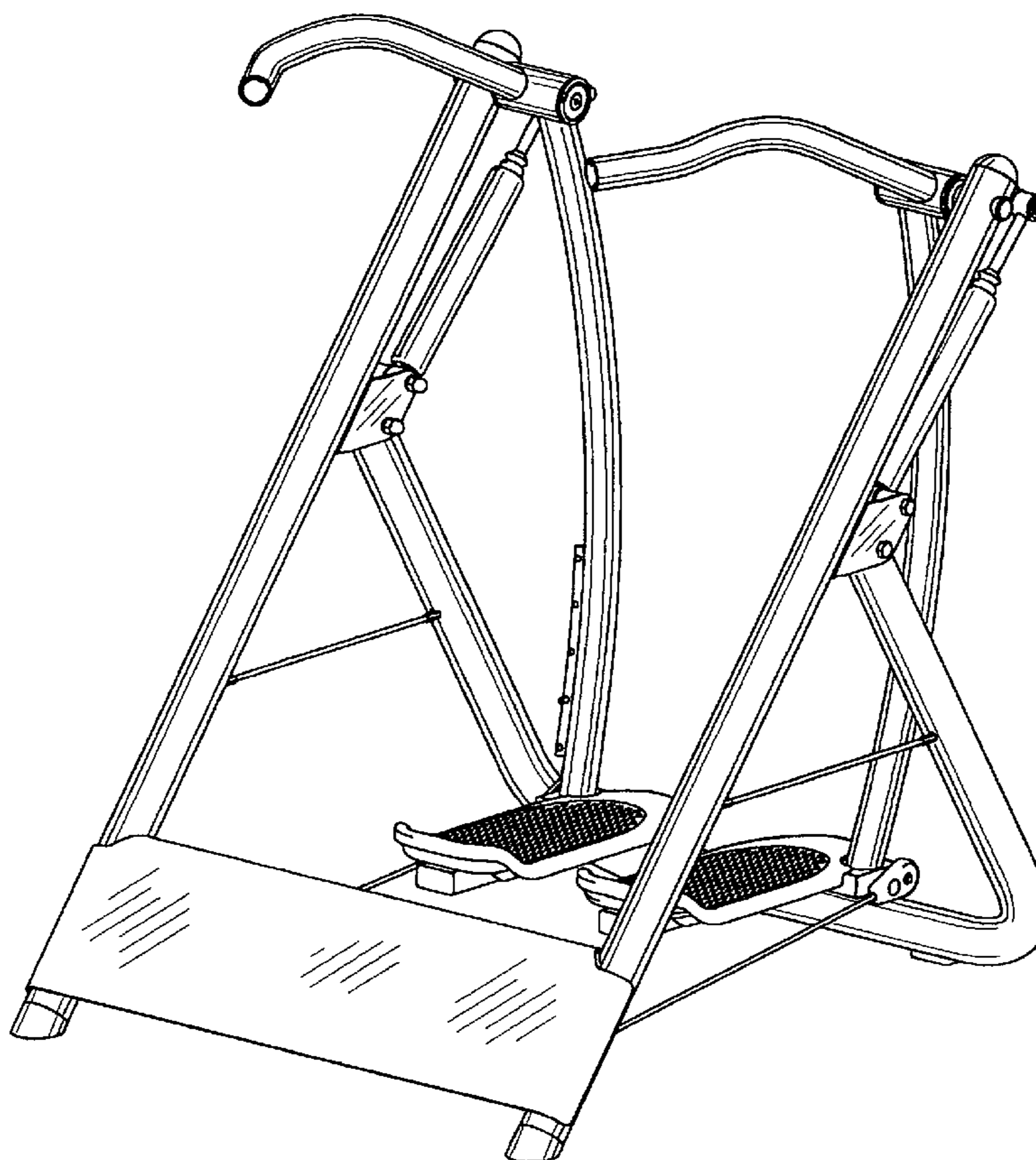


FIG. 1

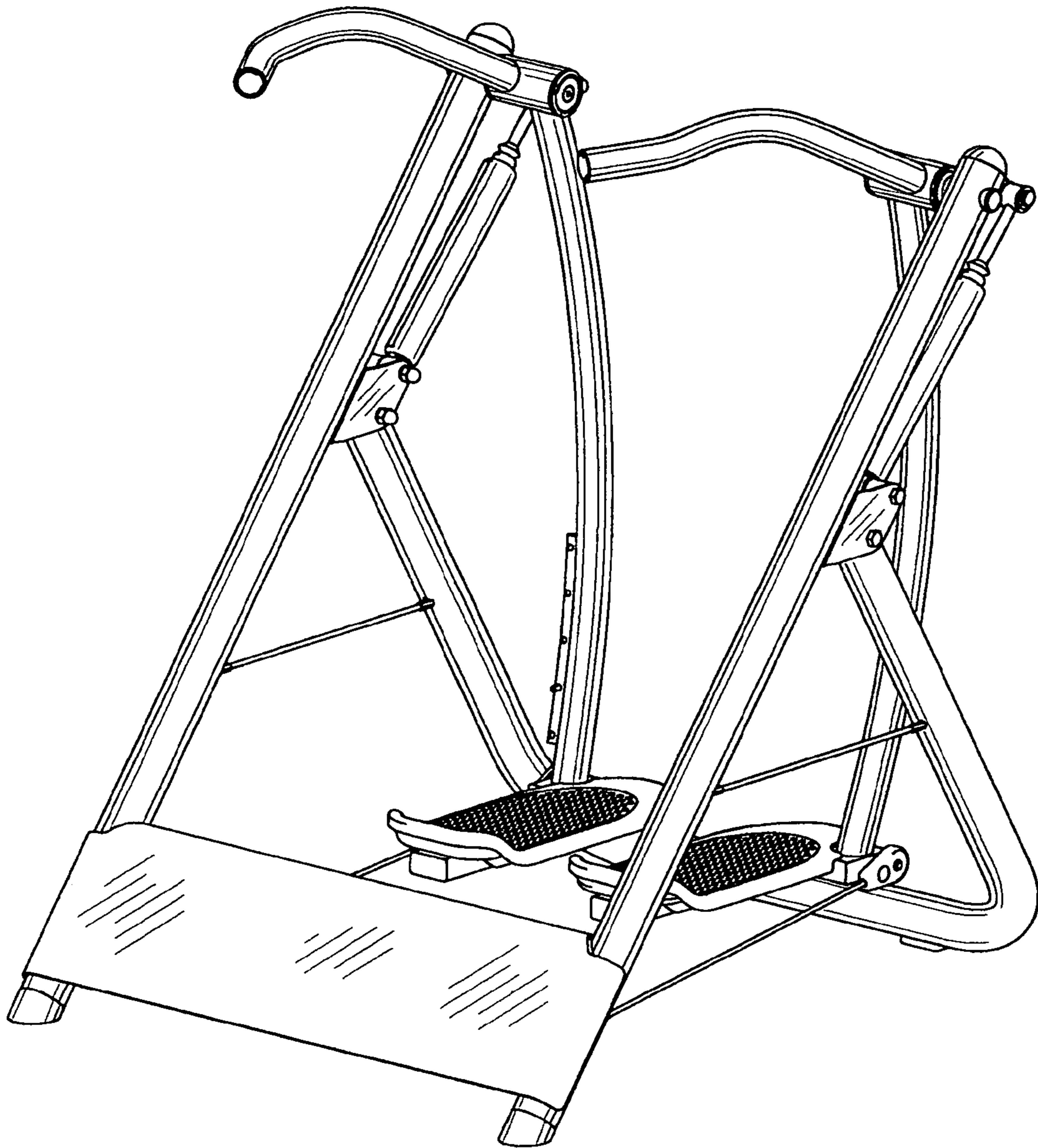


FIG. 2

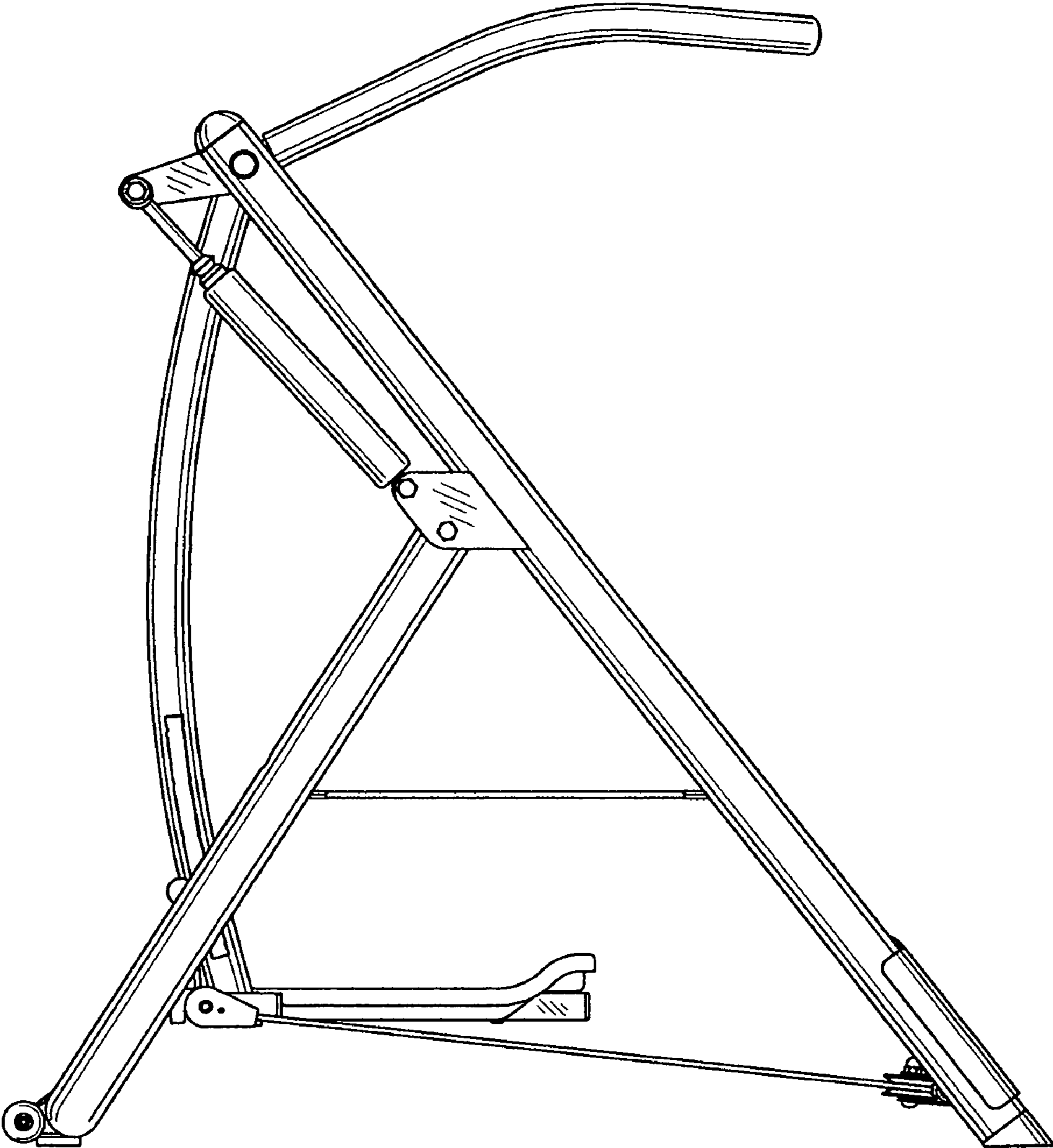


FIG. 3

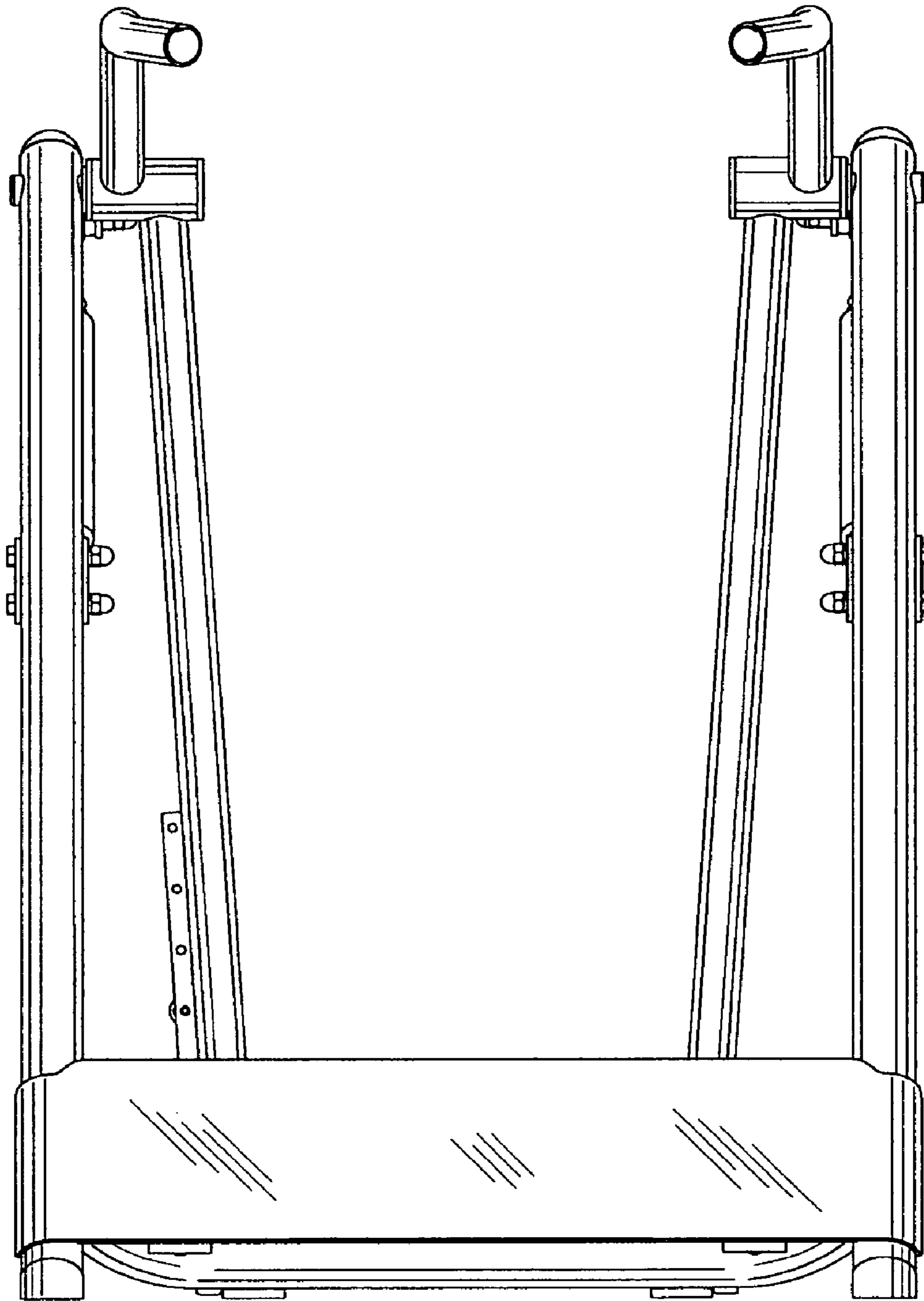


FIG. 4

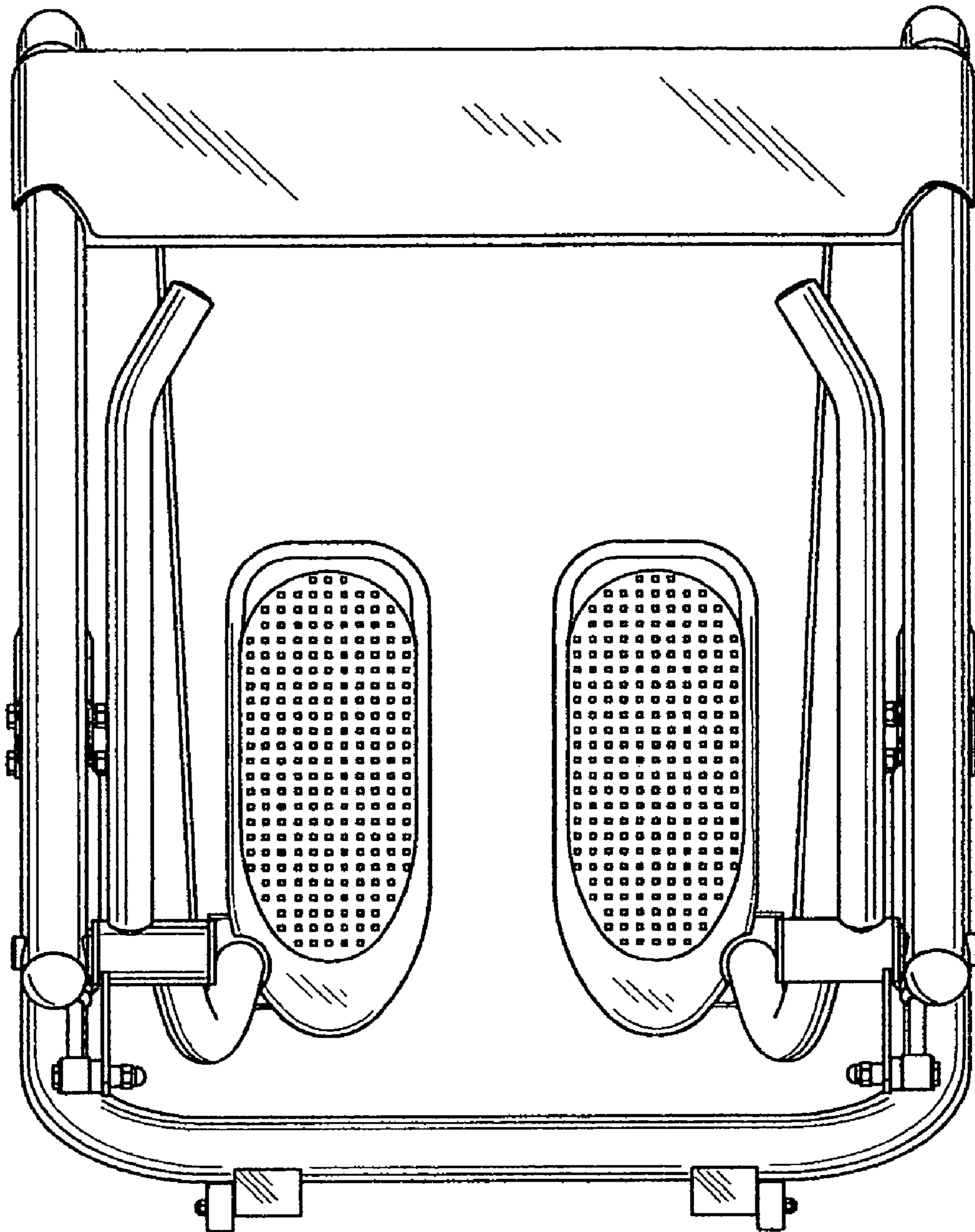


FIG. 5

