



US00D558276S

(12) **United States Design Patent**
Damjan et al.

(10) **Patent No.:** **US D558,276 S**
(45) **Date of Patent:** **** Dec. 25, 2007**

(54) **ROULETTE GAME**

D532,831 S * 11/2006 Baerlocher et al. D21/385

(75) Inventors: **Ursic Damjan**, Kamnik (SI); **Kolman Mitja**, Kranj (SI)

FOREIGN PATENT DOCUMENTS

GB 2098776 * 1/2001

(73) Assignee: **Icit d.o.o.**, Sempeter pri Gorici (SI)

* cited by examiner

(**) Term: **14 Years**

Primary Examiner—Sandra L. Morris

(21) Appl. No.: **29/246,131**

(74) *Attorney, Agent, or Firm*—Ziolkowski Patent Solutions Group, SC

(22) Filed: **Feb. 24, 2006**

(57) **CLAIM**

(30) **Foreign Application Priority Data**

The ornamental design for a roulette game, as shown and described.

Aug. 31, 2005 (SI) M-200550065

DESCRIPTION

(51) **LOC (8) Cl.** **21-01**

FIG. 1 is a perspective view of a roulette game in accordance with the present invention;

(52) **U.S. Cl.** **D21/375**

FIG. 2 is a top plan view thereof;

(58) **Field of Classification Search** D21/369,
D21/374–375, 385; 273/138.1, 139, 142 R,
273/309

FIG. 3 is a perspective view of a section of the roulette game, shown broken away for ease of illustration; and,

See application file for complete search history.

FIG. 4 is a side perspective view of piece positioned adjacent to the section of the roulette game shown in FIG. 3.

(56) **References Cited**

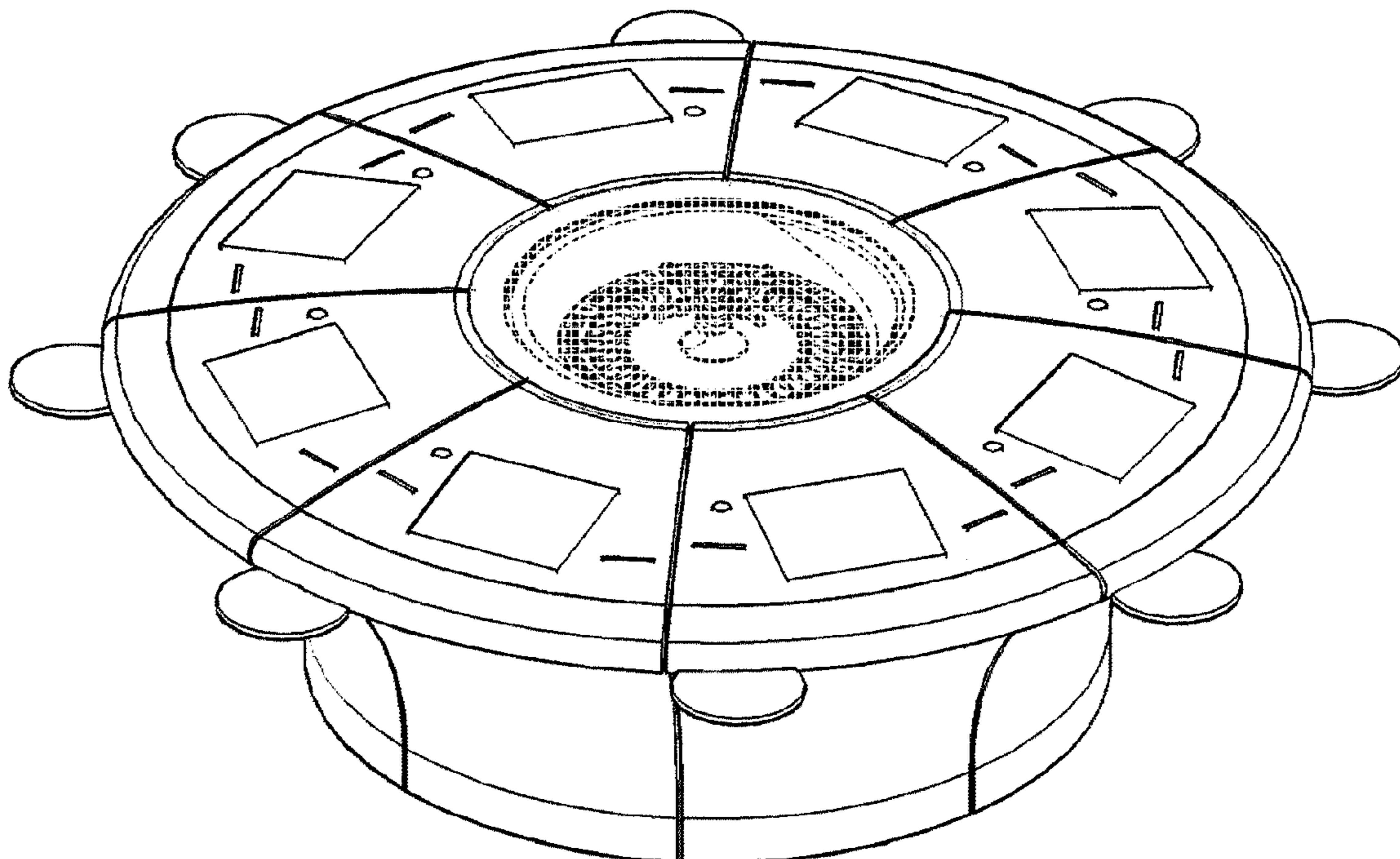
The bottom of the roulette game shown in the figures is unornamented and forms no part of the claimed invention.

U.S. PATENT DOCUMENTS

- D171,401 S * 2/1954 Kaminsky D21/375
- D378,930 S * 4/1997 Nobata et al. D21/369
- 5,879,235 A * 3/1999 Kaneko et al. 463/34
- 6,164,646 A * 12/2000 Uehara et al. 273/142 R
- D458,310 S * 6/2002 Lynch D21/369
- D523,093 S * 6/2006 Kaminkow et al. D21/369

The broken line showing of the wheel in FIGS. 1–2 is for illustrative purposes only, and forms no part of the claimed design.

1 Claim, 4 Drawing Sheets



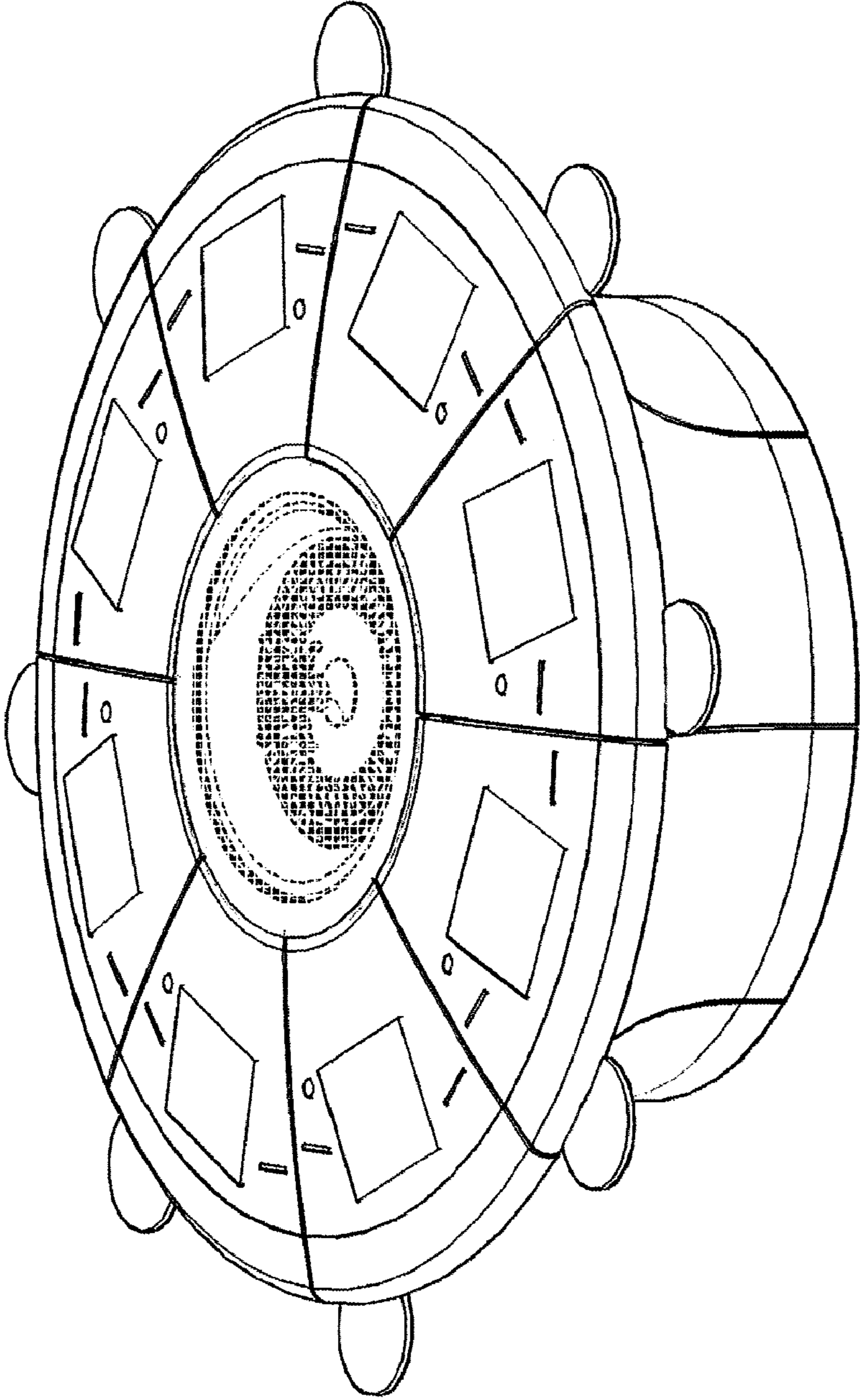


FIG. 1

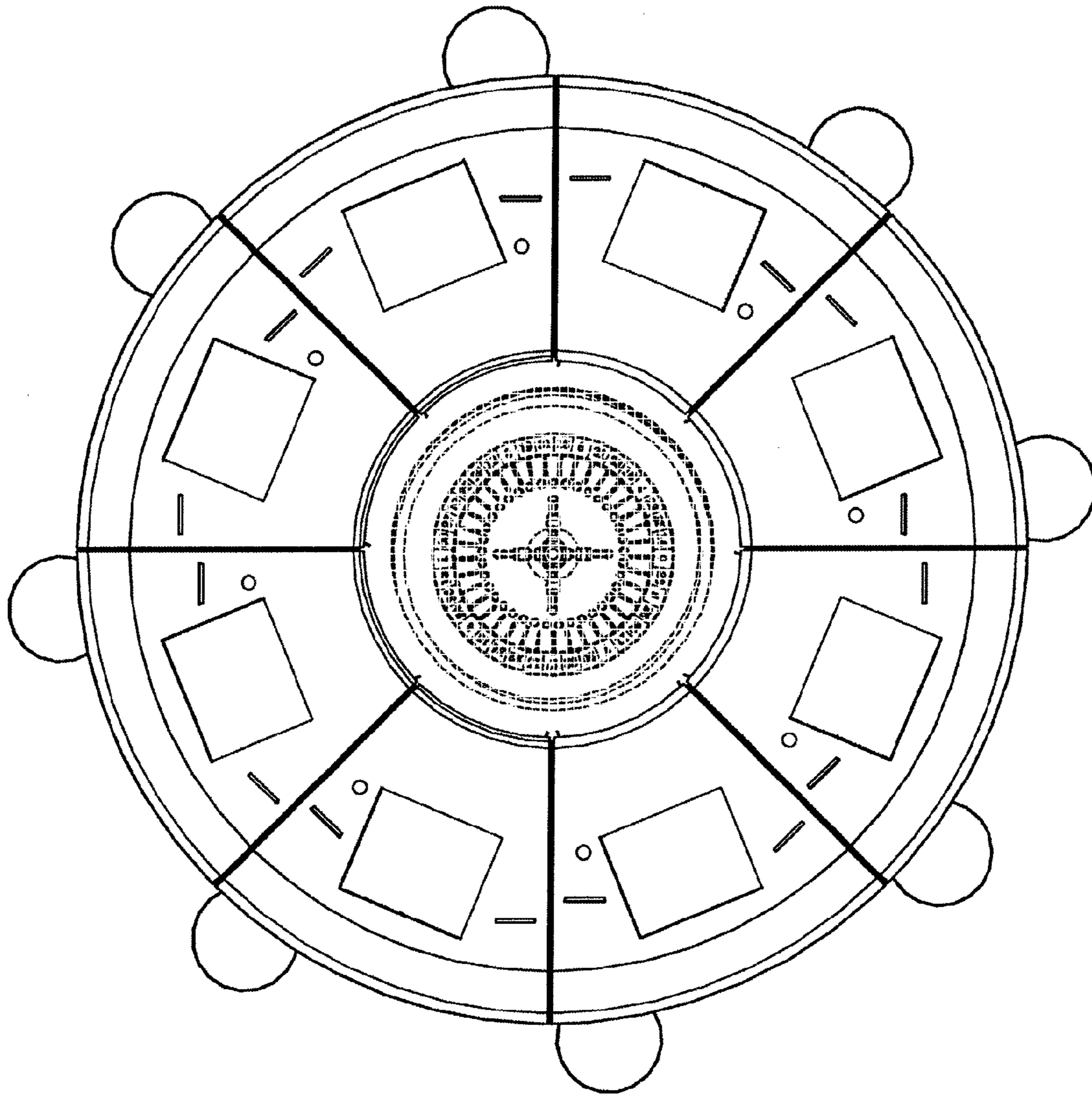


FIG. 2

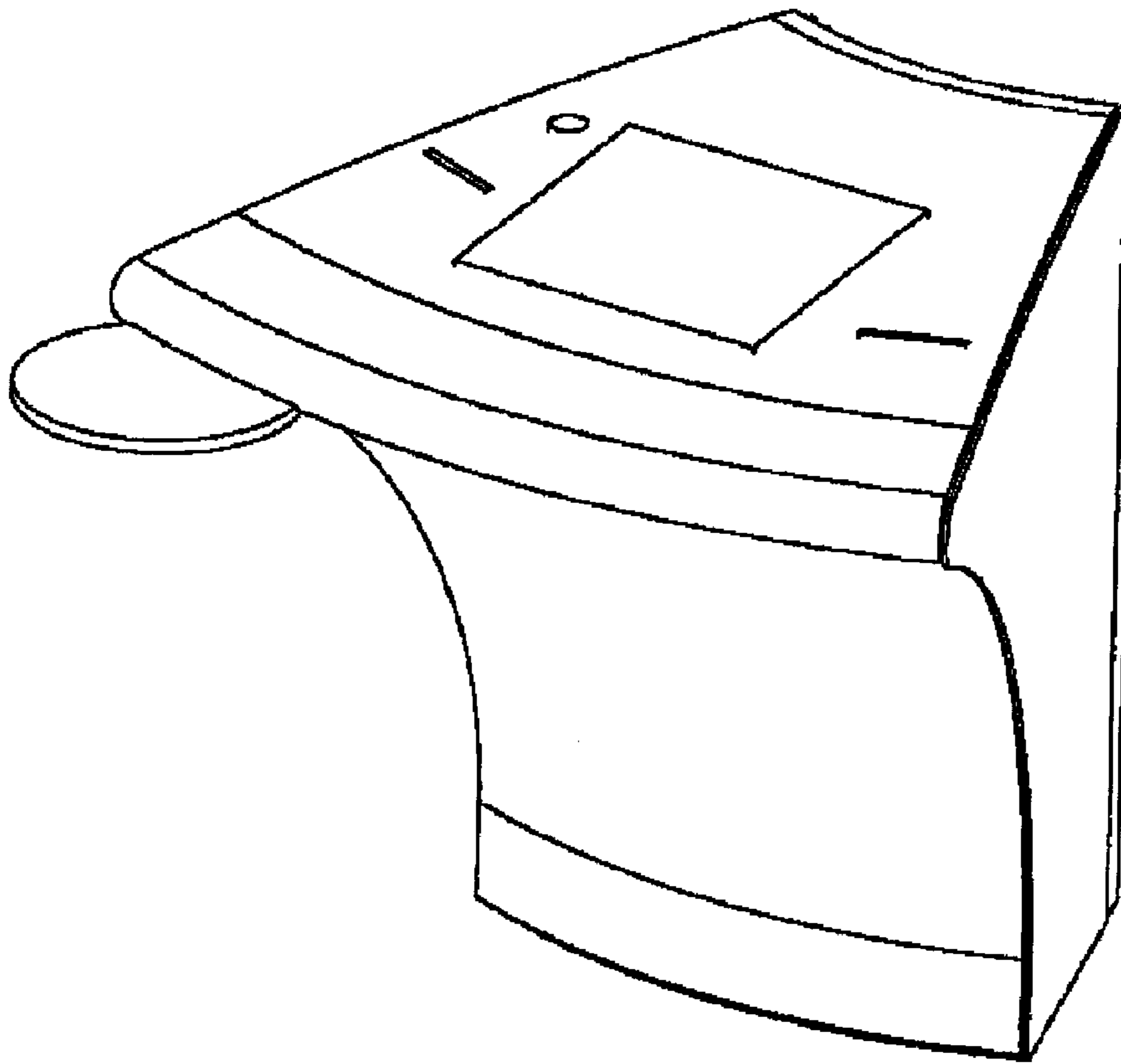


FIG. 3

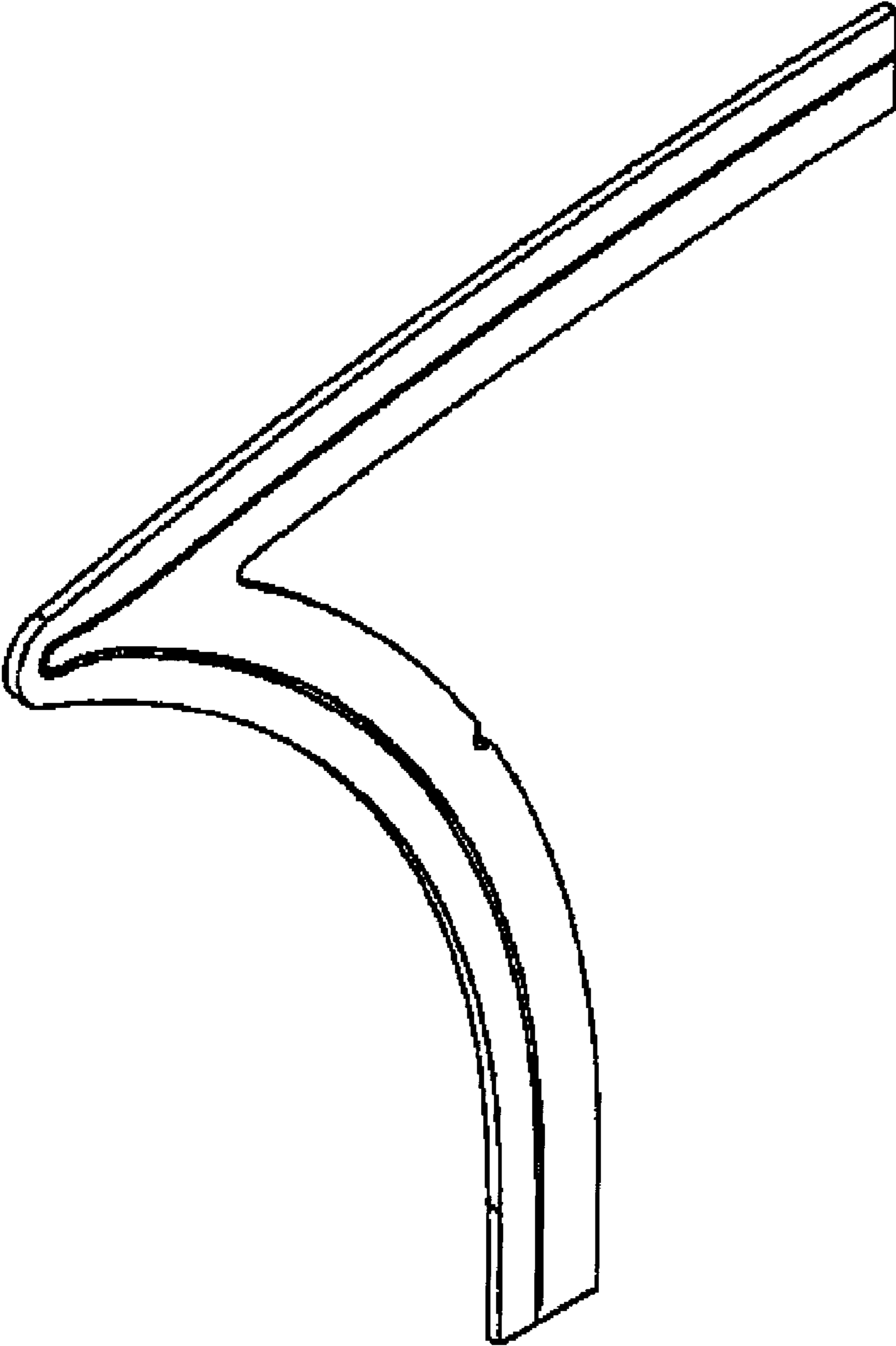


FIG. 4