



US00D558275S

(12) **United States Design Patent**  
**Mulry et al.**

(10) **Patent No.:** **US D558,275 S**  
(45) **Date of Patent:** **\*\* Dec. 25, 2007**

(54) **WHEELED GAME PLATFORM**

(75) Inventors: **Thomas E. Mulry**, Indianapolis, IN (US); **Gregory P. Stout**, Stow, OH (US)

(73) Assignee: **Mulry Manufacturing, LLC**, Indianapolis, IN (US)

(\*\*) Term: **14 Years**

(21) Appl. No.: **29/249,852**

(22) Filed: **Oct. 24, 2006**

(51) **LOC (8) Cl.** ..... **21-01**

(52) **U.S. Cl.** ..... **D21/333; D21/385**

(58) **Field of Classification Search** ..... D21/330, D21/324, 333, 385, 397; D14/496, 332; D3/318, 328; D6/486, 495; 273/148 B, 273/148 R, 236, 287; 463/1, 46, 47; 248/188.1, 248/188.2; 312/351.11

See application file for complete search history.

(56) **References Cited**

**U.S. PATENT DOCUMENTS**

- 4,418,911 A \* 12/1983 Bowers et al. .... 463/47
- 5,209,478 A \* 5/1993 Simpson ..... 273/148 B
- D378,766 S \* 4/1997 Schwarzli ..... D20/8
- 6,439,585 B1 \* 8/2002 Tan ..... 280/47.26
- D462,398 S \* 9/2002 Hussaini et al. .... D21/333

- 6,716,121 B1 \* 4/2004 Brown ..... 473/451
- D494,173 S \* 8/2004 Lin et al. .... D14/374
- 6,860,493 B2 \* 3/2005 Orozco ..... 280/33.991
- 6,899,337 B2 \* 5/2005 Fisher et al. .... 273/447

\* cited by examiner

*Primary Examiner*—Prabhakar Deshmukh

(74) *Attorney, Agent, or Firm*—Woodard, Emhardt, Moriarty, McNett & Henry LLP

(57) **CLAIM**

The ornamental design for a wheeled game platform, as shown and described.

**DESCRIPTION**

The claimed wheeled game platform is used to support a person in a prone position playing a ball action game.

FIG. 1 is a top plan view of the wheeled game platform showing our new design;

FIG. 2 is a front elevational view thereof;

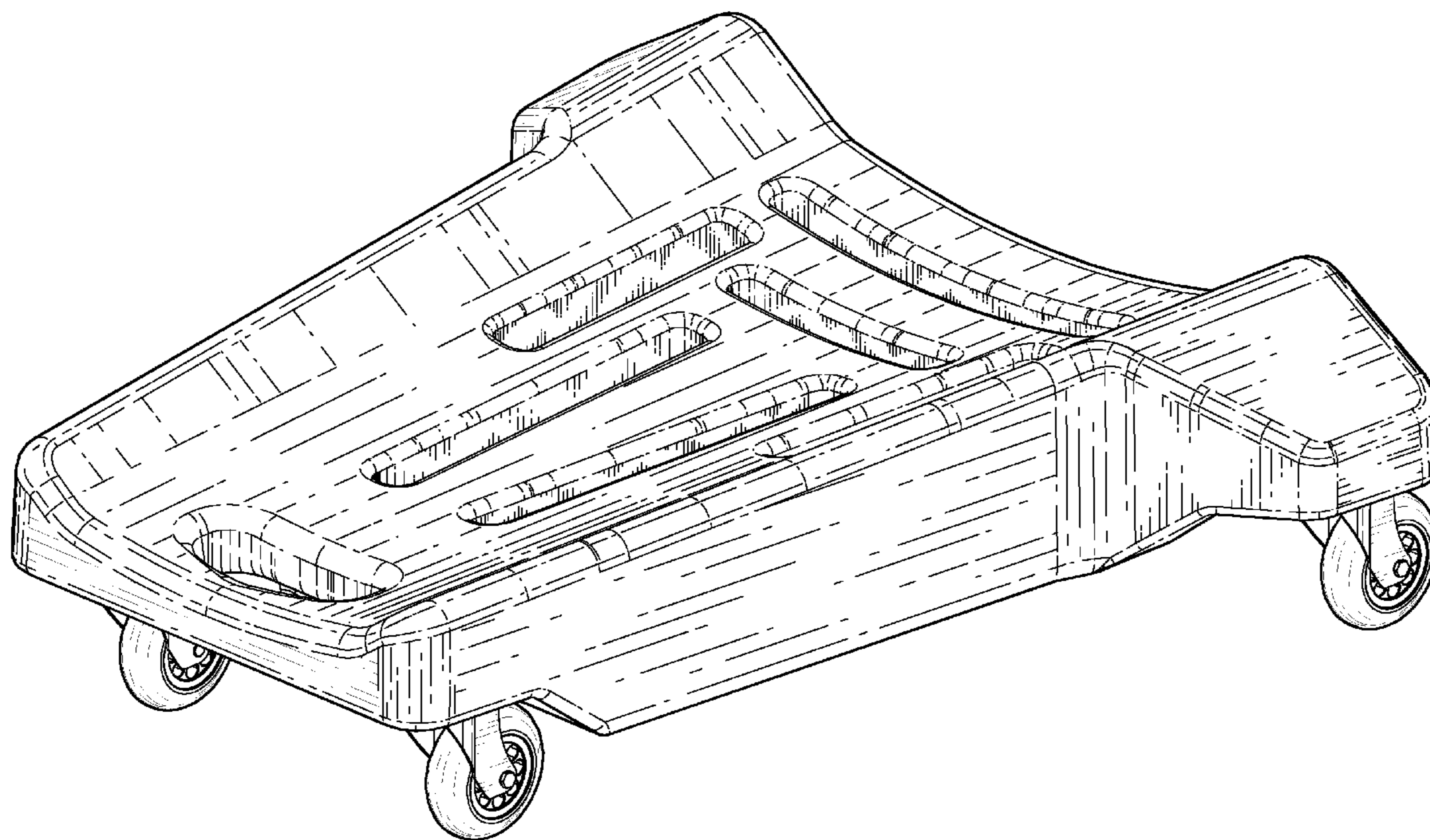
FIG. 3 is a left side elevational view thereof with the right side elevational view being a mirror image;

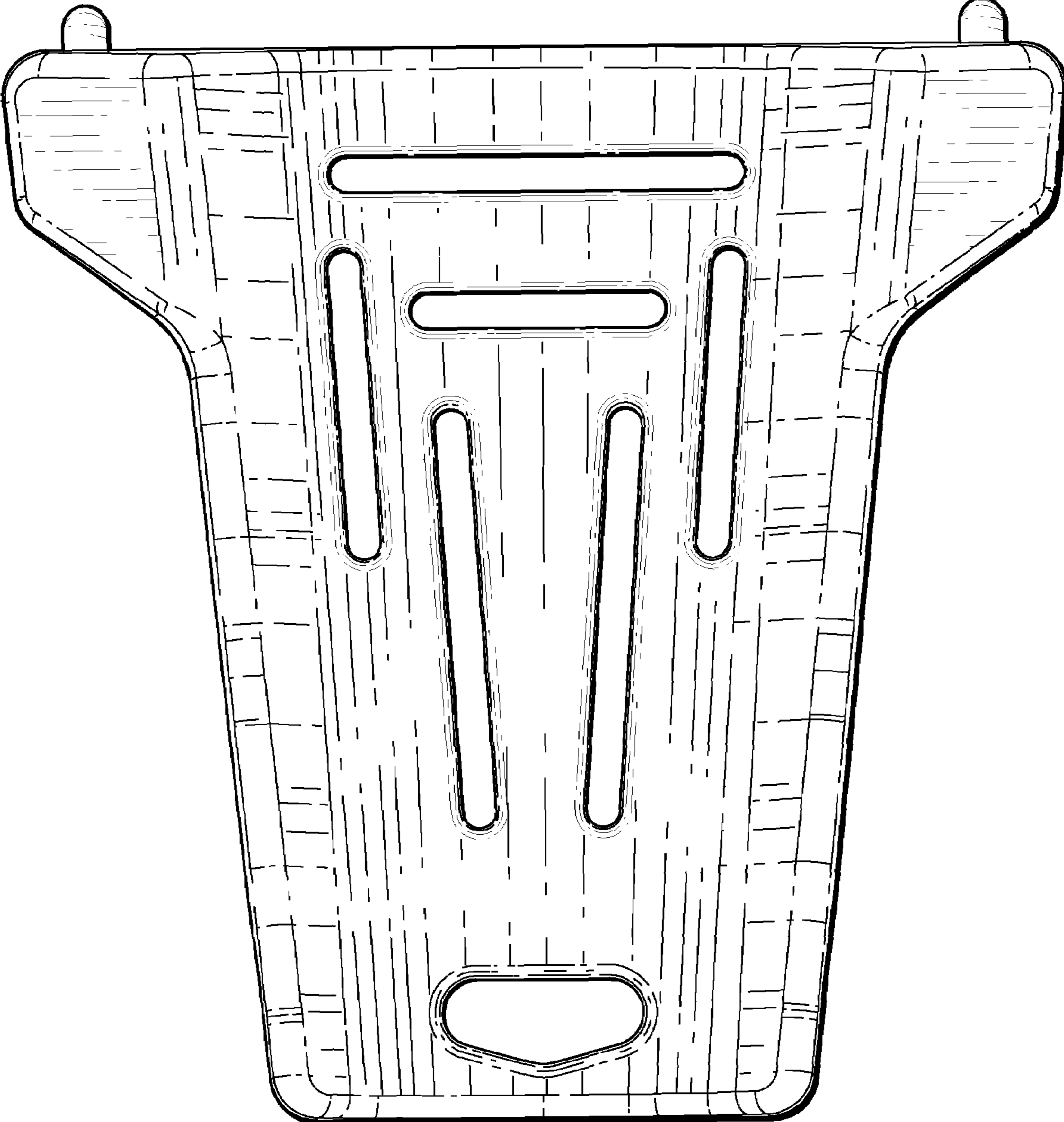
FIG. 4 is a rear elevational view thereof;

FIG. 5 is a bottom plan view thereof; and,

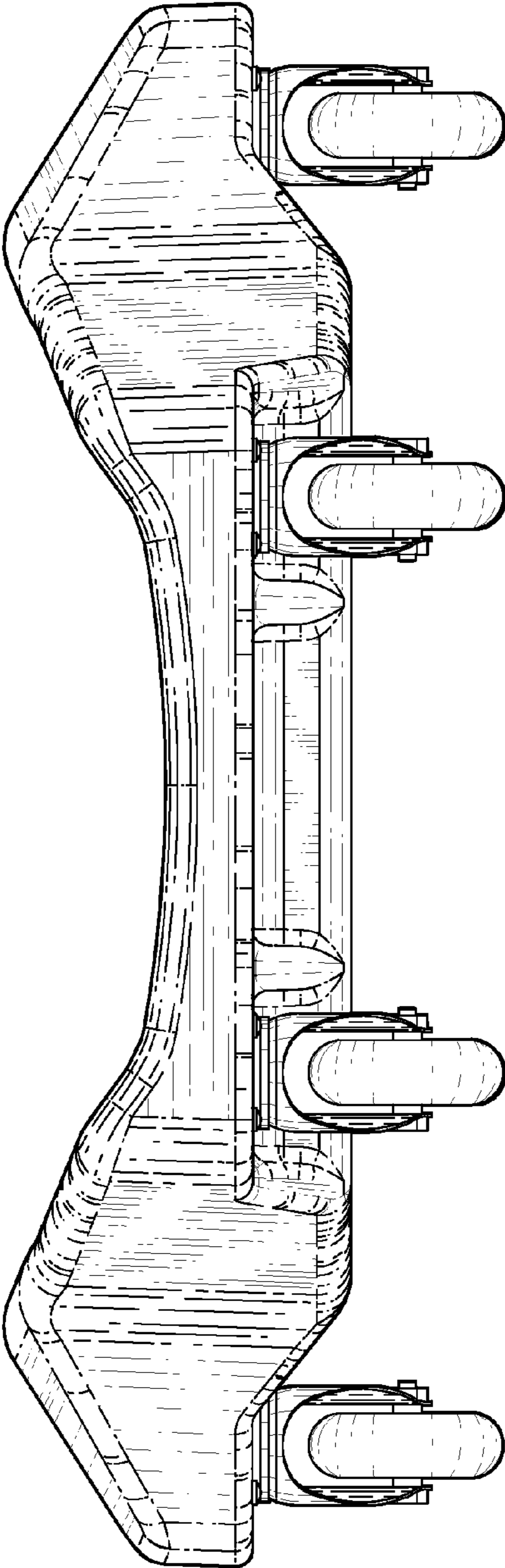
FIG. 6 is a perspective view thereof.

**1 Claim, 5 Drawing Sheets**

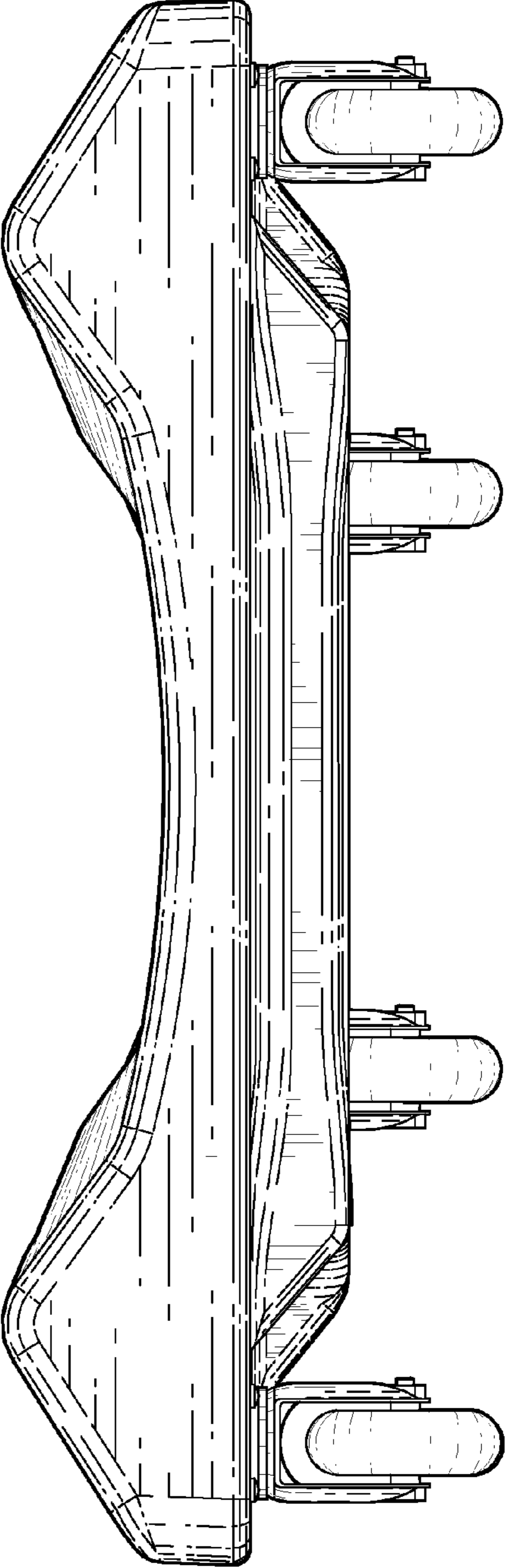




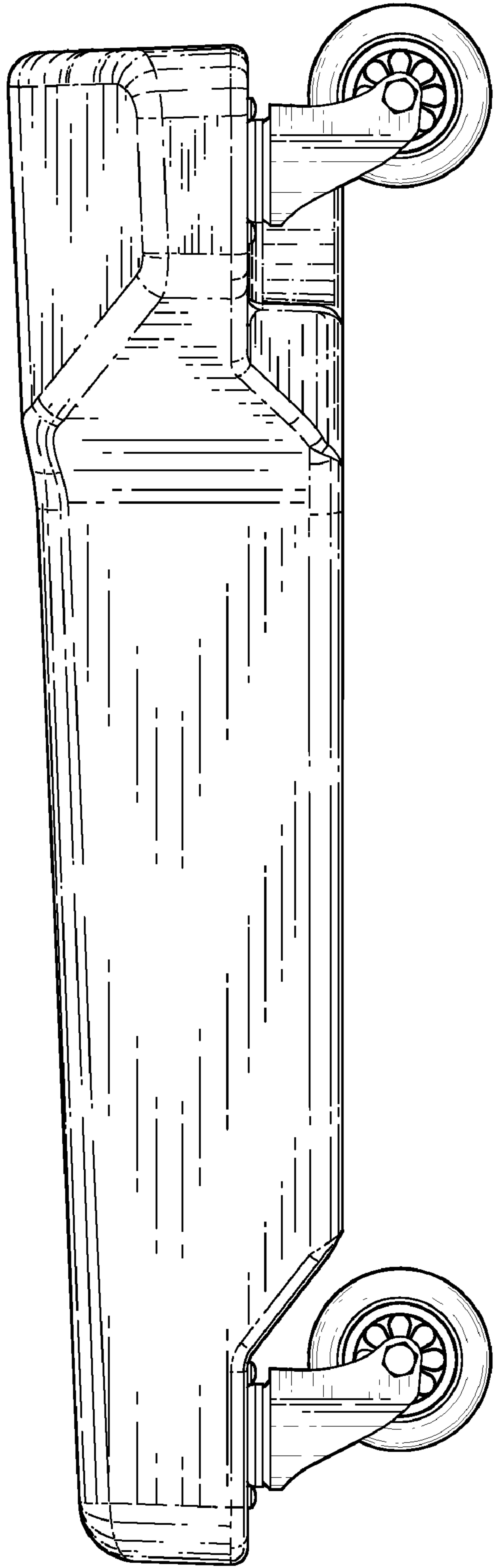
**Fig. 1**



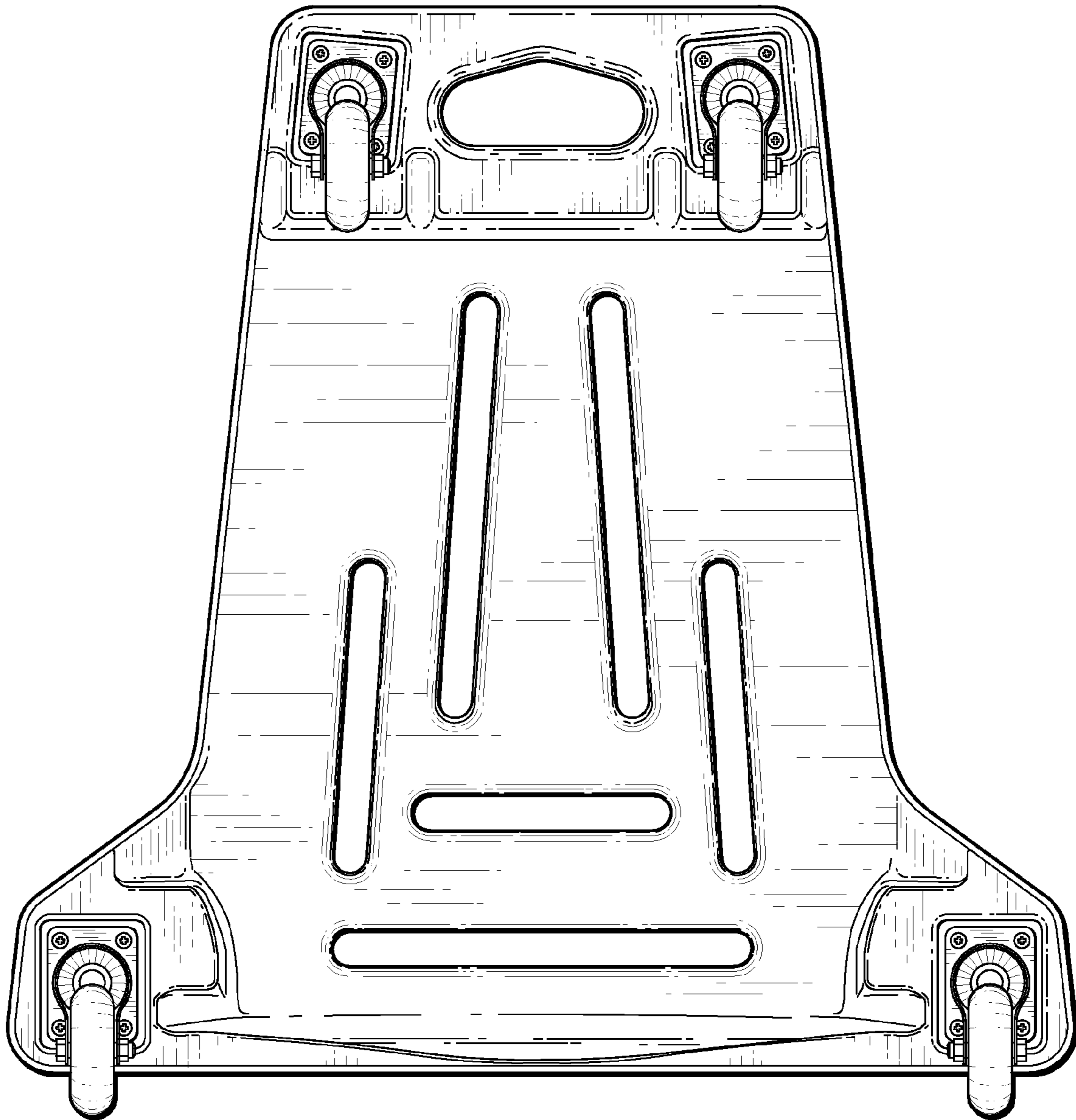
**Fig. 2**



**Fig. 4**



**Fig. 3**



**Fig. 5**

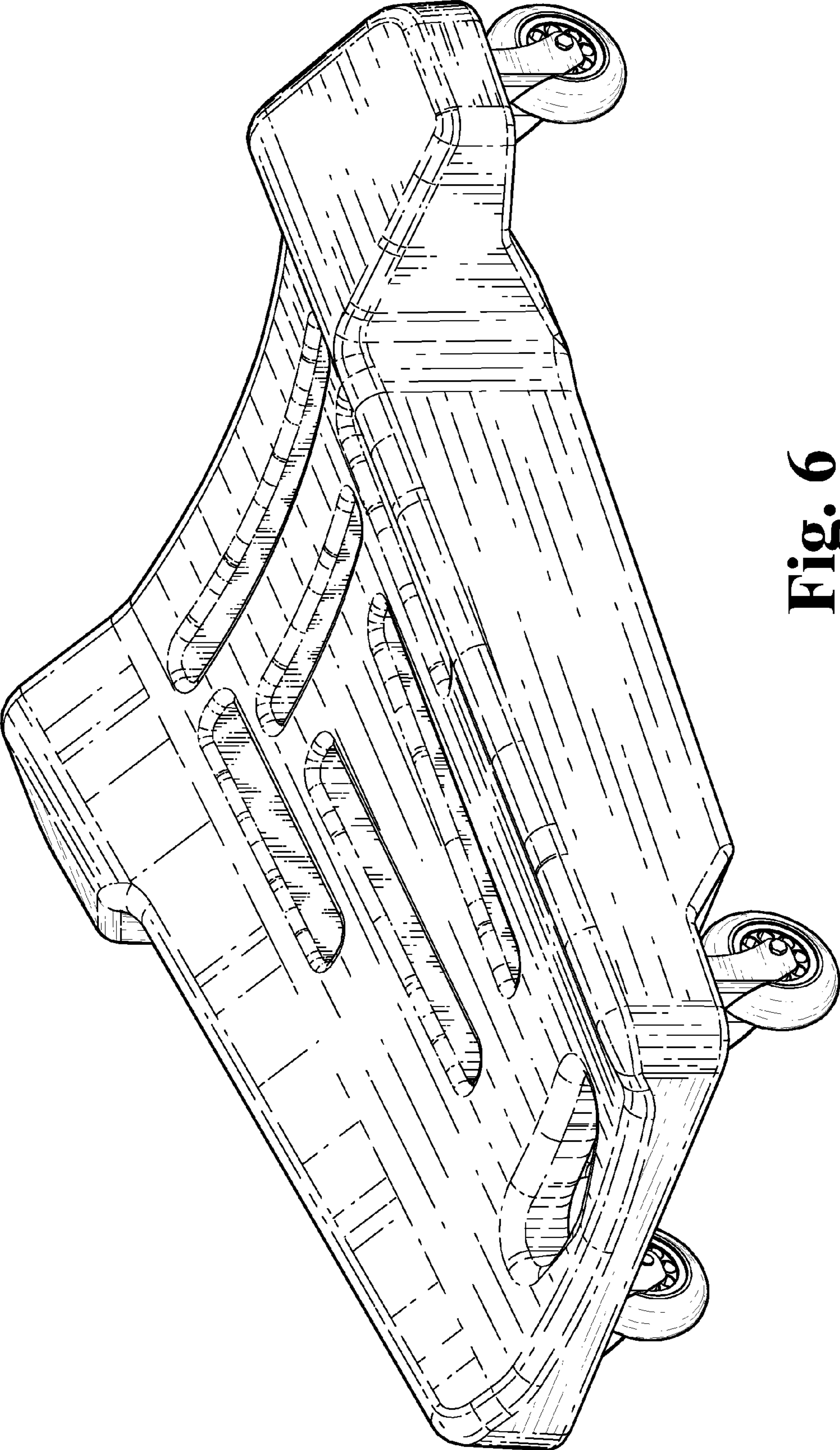


Fig. 6