



US00D558274S

(12) **United States Design Patent** (10) **Patent No.:** **US D558,274 S**
Geeves (45) **Date of Patent:** **** Dec. 25, 2007**

(54) **POST FOR A SIGN**

2004/0065802 A1* 4/2004 Clasen 248/530

(76) Inventor: **Garry Geeves**, 4603 Aire de la Sal, San Clemente, CA (US) 92673

* cited by examiner

(**) Term: **14 Years**

Primary Examiner—Robert M. Spear

Assistant Examiner—Mary Ann Calabrese

(21) Appl. No.: **29/251,418**

(74) *Attorney, Agent, or Firm*—Knobbe, Martens, Olson & Bear LLP

(22) Filed: **Jan. 6, 2006**

(57) **CLAIM**

Related U.S. Application Data

The ornamental design for a post for sign, as shown and described.

(63) Continuation-in-part of application No. 29/197,911, filed on Jan. 22, 2004, now abandoned.

DESCRIPTION

(51) **LOC (8) Cl.** **20-02**

FIG. 1 is a perspective view showing the post embodying the new design;

(52) **U.S. Cl.** **D20/41**

FIG. 2 is rear view thereof;

(58) **Field of Classification Search** D20/10, D20/29, 39, 41, 42, 99; 40/605, 606, 607.01, 40/607.02, 607.04–607.06, 607.09, 607.11, 40/607.12, 612; 362/812; 248/156, 530, 248/532, 533; 220/475; 116/209; D6/556
See application file for complete search history.

FIG. 3 is a front view thereof;

FIG. 4 is a left side view thereof;

FIG. 5 is a right side view thereof;

FIG. 6 is a top plan view thereof;

FIG. 7 is a bottom plan view thereof;

(56) **References Cited**

U.S. PATENT DOCUMENTS

1,220,716	A *	3/1917	Beery	40/607.11
1,649,249	A *	11/1927	Newman	40/607.11
2,022,160	A *	11/1935	Sorensen et al.	40/612
4,232,467	A *	11/1980	Stewart	40/607.11
D261,401	S *	10/1981	Collis	D20/41
D265,746	S *	8/1982	Robillard	D20/41
4,583,482	A *	4/1986	Smith	116/209
4,790,092	A *	12/1988	Farmer	40/607.09
5,305,976	A *	4/1994	Blanchard	248/156
D353,405	S *	12/1994	Cutler	D20/41
D353,625	S *	12/1994	Thomsen	D20/41
5,375,801	A *	12/1994	Porter	248/156
D361,794	S *	8/1995	Oakley	D20/41
D367,078	S *	2/1996	Oakley	D20/41
D392,141	S *	3/1998	Cavanaugh	D6/556
D470,189	S *	2/2003	Nguyen	D20/41
D494,630	S *	8/2004	Taylor	D20/41
2003/0070698	A1 *	4/2003	Wells	135/20.1

FIG. 8 is an exploded, perspective view showing the top and bottom sections of the post embodying the new design;

FIG. 9 is a rear view of the design shown in FIG. 8;

FIG. 10 is a front view of the design shown in FIG. 8;

FIG. 11 is a left side view of the design shown in FIG. 8;

FIG. 12 is a right side view of the design shown in FIG. 8;

FIG. 13 is a top view of the design shown in FIG. 8;

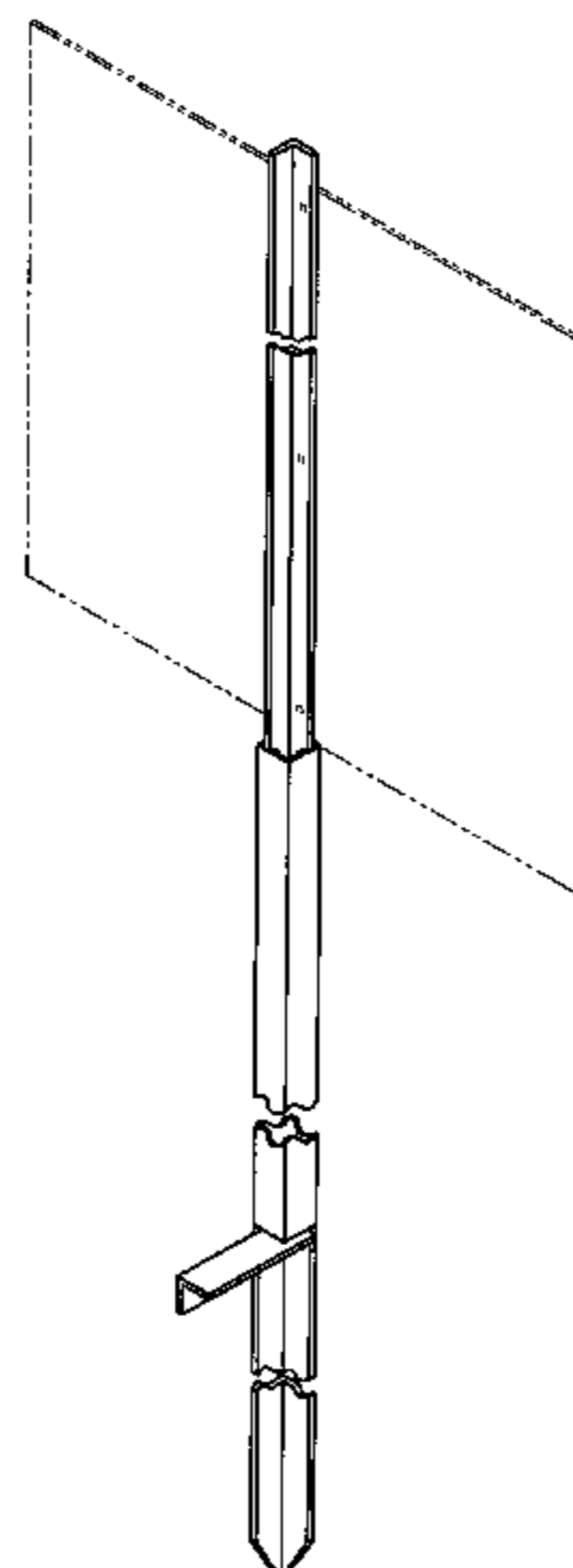
FIG. 14 is a bottom view of the design shown in FIG. 8; and,

FIG. 15 is a reduced scale perspective view showing the manner of connecting the sections of the post embodying the new design.

The Figures are shown cut away to indicate indeterminate length.

In the drawings, the broken lines represent environmental structure forming no part of the claim.

1 Claim, 5 Drawing Sheets



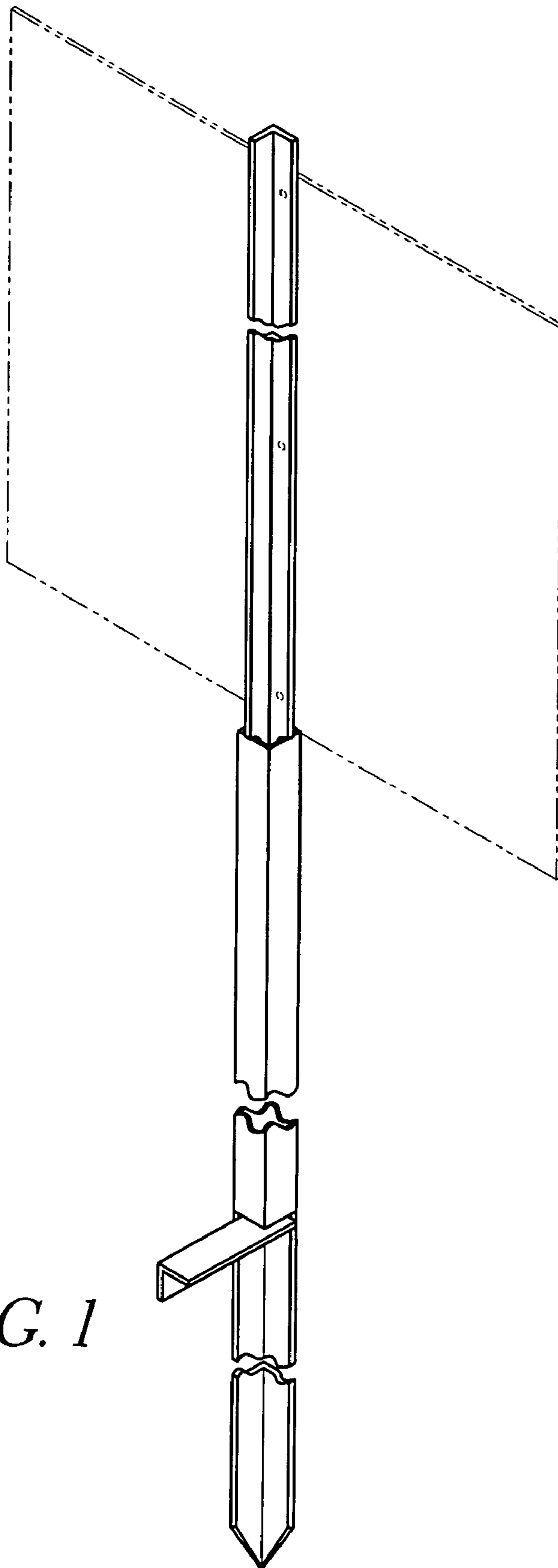


FIG. 1

FIG. 6

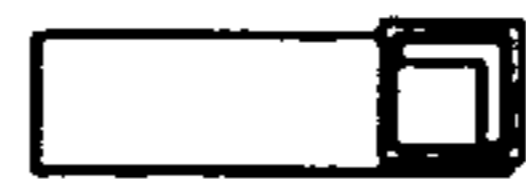


FIG. 2

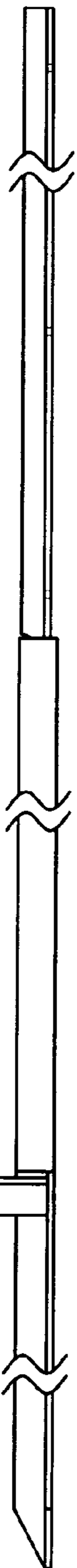


FIG. 3

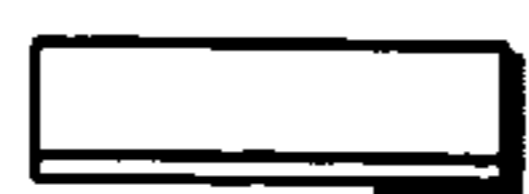


FIG. 4



FIG. 5

FIG. 7



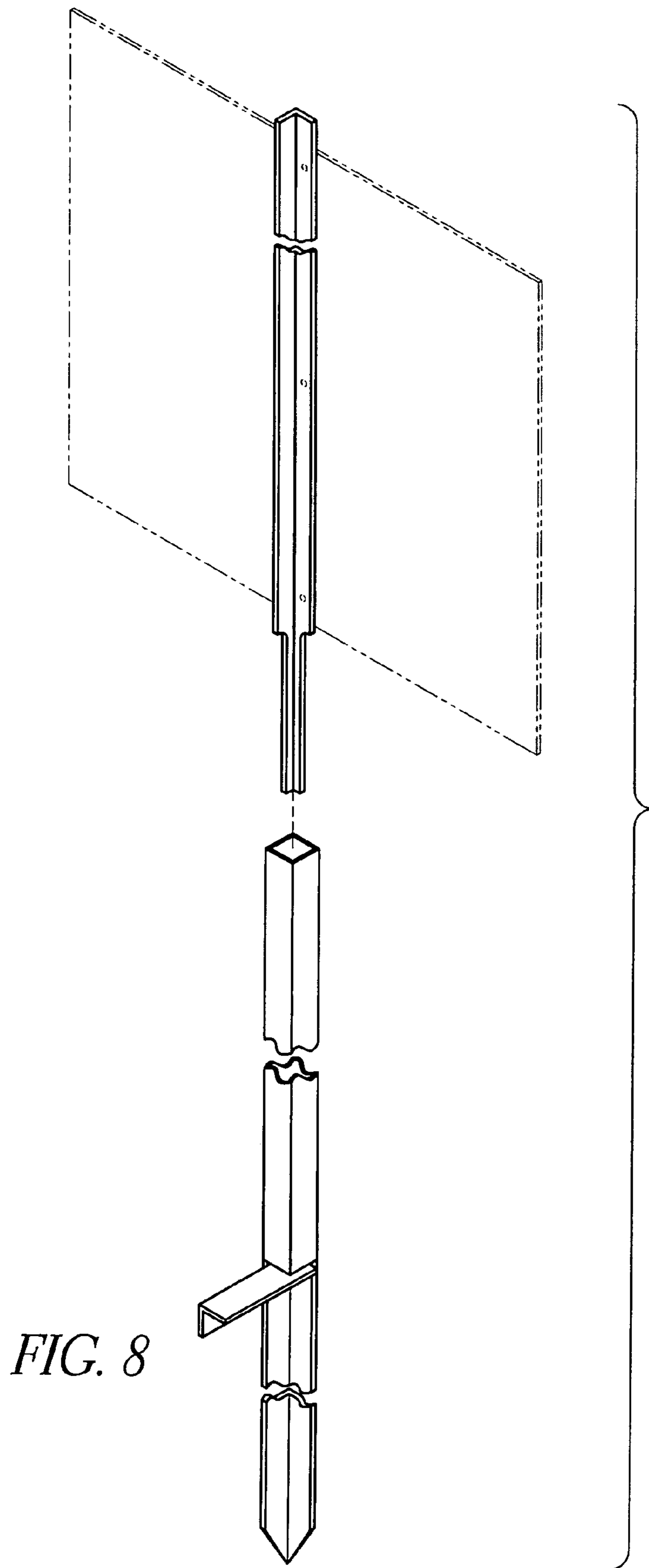


FIG. 13

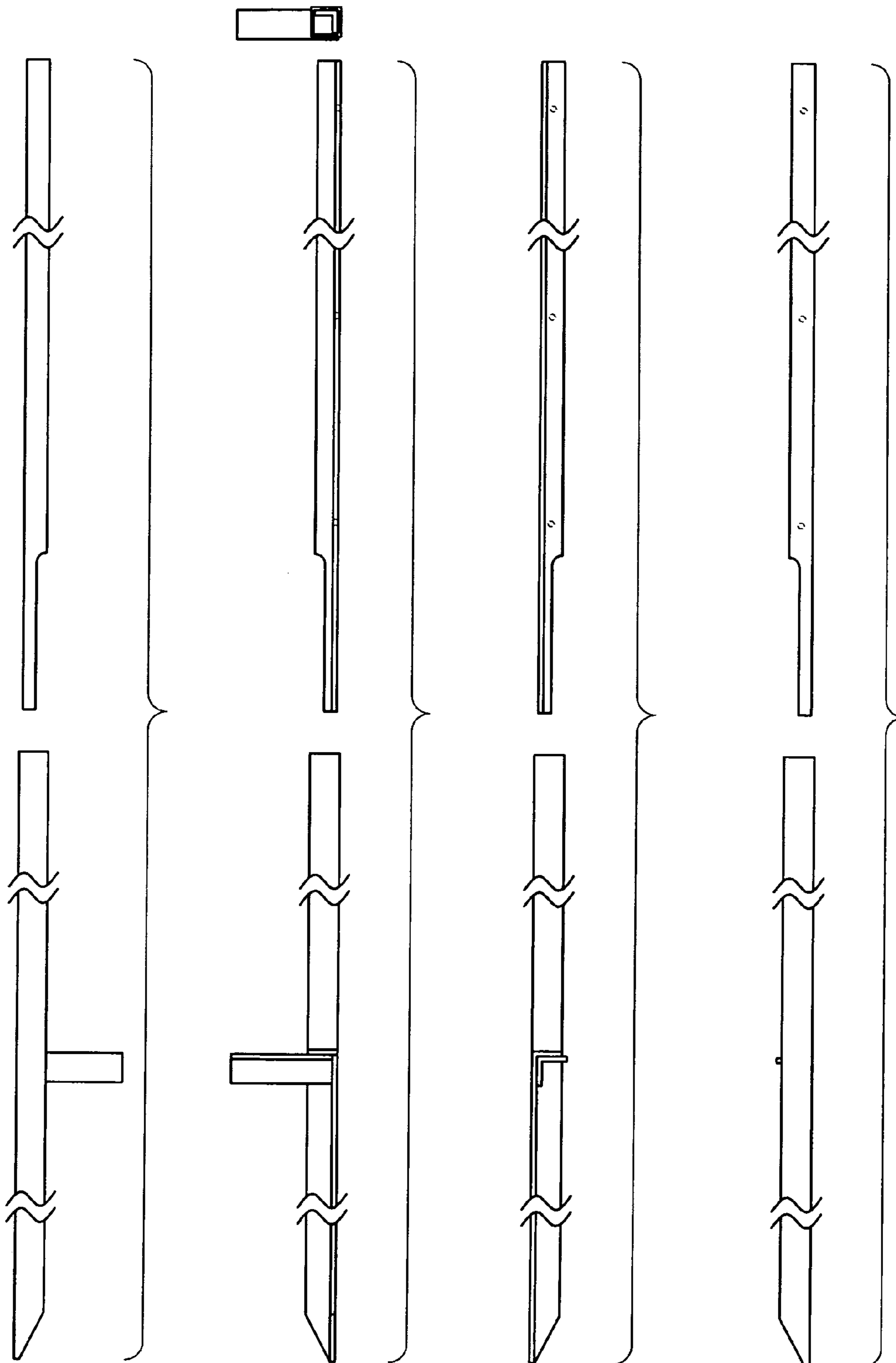


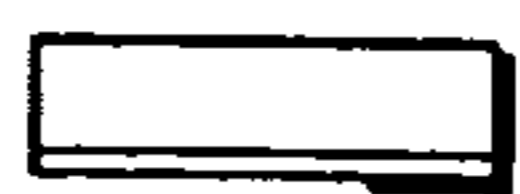
FIG. 9

FIG. 10

FIG. 11

FIG. 12

FIG. 14



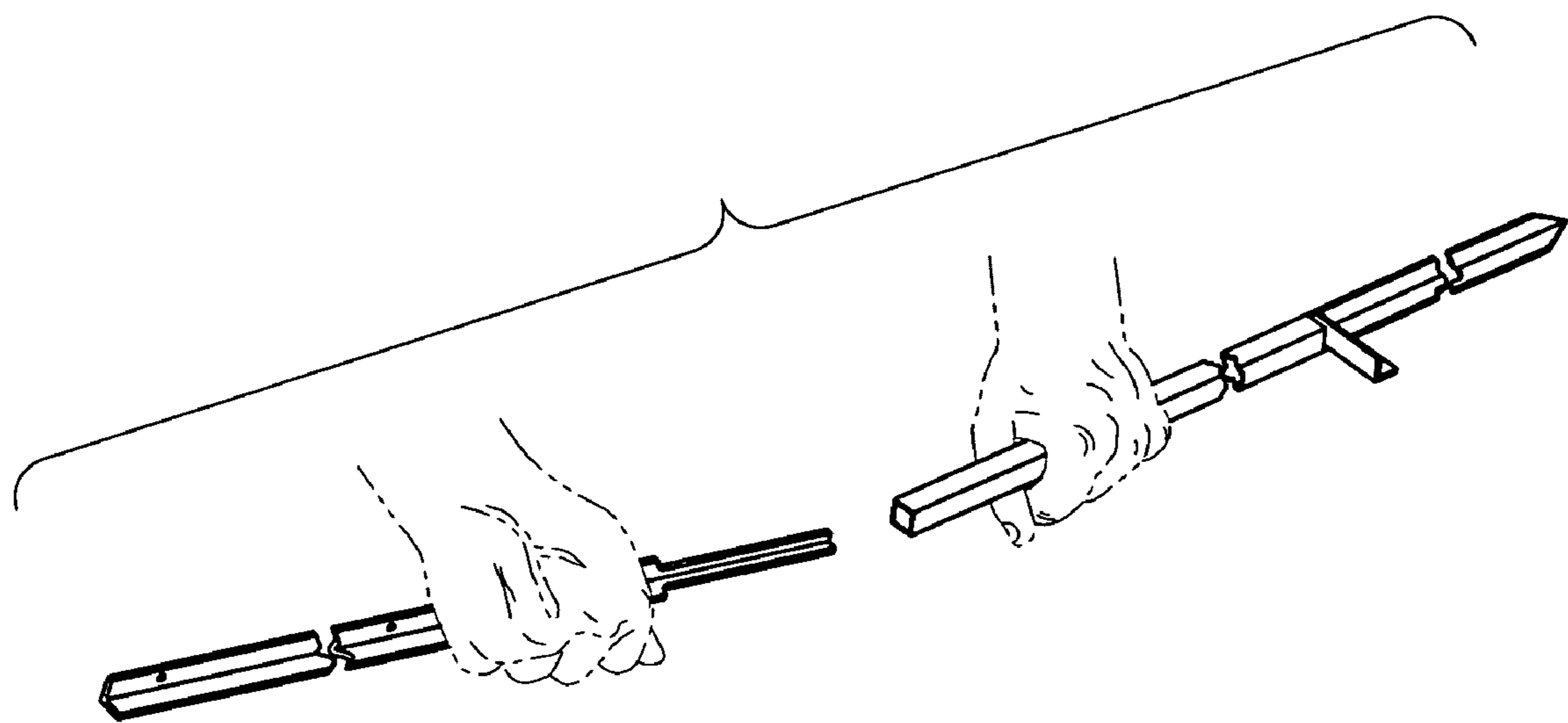


FIG. 15