



US00D558272S

(12) **United States Design Patent** (10) **Patent No.:** **US D558,272 S**
Goldman et al. (45) **Date of Patent:** **** Dec. 25, 2007**

(54) **STAMP DISPENSER**

(75) Inventors: **John Goldman**, Little Rock, AR (US);
Chad Collins, Little Rock, AR (US)

(73) Assignee: **Concept Products, LLC.**

(**) Term: **14 Years**

(21) Appl. No.: **29/275,274**

(22) Filed: **Dec. 19, 2006**

(51) **LOC (8) Cl.** **19-02**

(52) **U.S. Cl.** **D19/69**

(58) **Field of Classification Search** D19/65,
D19/67, 72, 75, 89, 95, 96, 97, 99; D99/29;
D20/10; D9/415, 418; 426/115, 85; 242/597.8,
242/588.3; 225/19; 221/73; 206/463; 156/542
See application file for complete search history.

(56) **References Cited**

U.S. PATENT DOCUMENTS

D165,656	S	*	1/1952	Lathrop	D19/69
D183,867	S	*	11/1958	Wagner	D19/69
2,889,975	A	*	6/1959	Hanlon	225/19
4,770,322	A		9/1988	Slota et al.		
D310,102	S	*	8/1990	Rittenhouse	D19/67
5,358,113	A		10/1994	Hellenbrand		
5,551,564	A		9/1996	Prater et al.		
D374,461	S	*	10/1996	Greenlee	D20/10
5,562,262	A	*	10/1996	Pennell	242/588.3
5,950,959	A		9/1999	Milliorn		
D424,427	S	*	5/2000	Saputo et al.	D9/415
D442,637	S		5/2001	Dorrell et al.		
6,235,369	B1	*	5/2001	Shepard et al.	428/85
6,431,242	B1		8/2002	Irons		
2005/0042338	A1	*	2/2005	Tucker et al.	426/115

* cited by examiner

Primary Examiner—Cathron C. Brooks

Assistant Examiner—Austin Murphy

(74) *Attorney, Agent, or Firm*—QuickPatents, Inc.; Kevin Prince

(57) **CLAIM**

The ornamental design for a stamp dispenser, as shown and described.

DESCRIPTION

FIG. 1 is a perspective view of a stamp dispenser of the present invention, illustrating the stamp dispenser in a closed position and as holding a roll of stamps, the broken lines showing the roll of stamps for illustrative purposes only and forming no part of the claimed design;

FIG. 2 is a front elevational view of the invention, illustrating the stamp dispenser in the closed position;

FIG. 3 is a rear elevational view of the invention, illustrating the stamp dispenser in the closed position;

FIG. 4 is a right-side elevational view of the invention, illustrating the stamp dispenser in the closed position, the left-side elevational view being a mirror image thereof;

FIG. 5 is a top plan view of the invention, illustrating the stamp dispenser in the closed position;

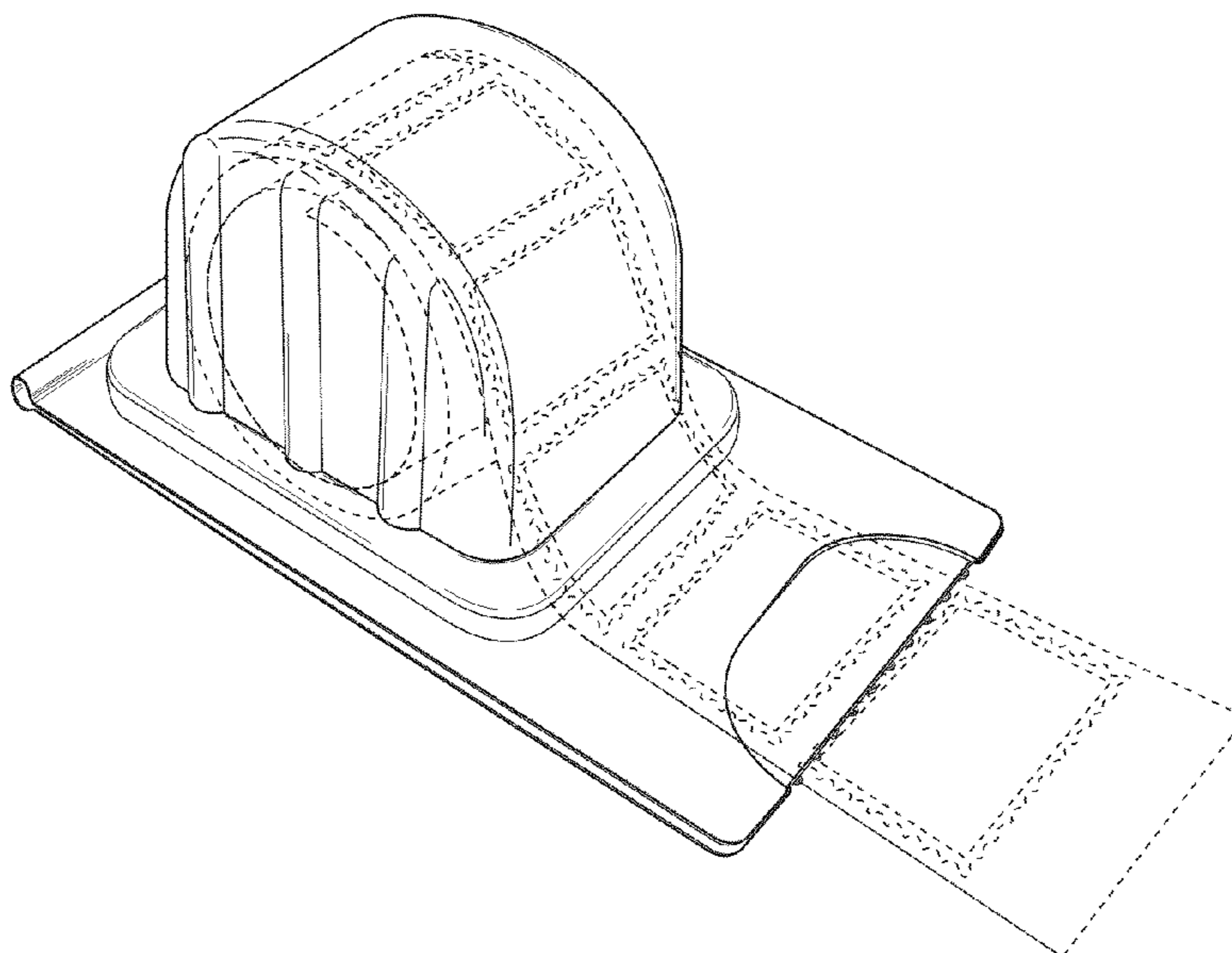
FIG. 6 is a bottom plan view of the invention, illustrating the stamp dispenser in the closed position;

FIG. 7 is a perspective view of the invention, illustrating the stamp dispenser in an open position;

FIG. 8 is a perspective view of the invention, illustrating the stamp dispenser in the open position; and,

FIG. 9 is a right-side elevational view of the invention, illustrating the stamp dispenser in the open position, the left-side elevational view being a mirror image thereof.

1 Claim, 3 Drawing Sheets



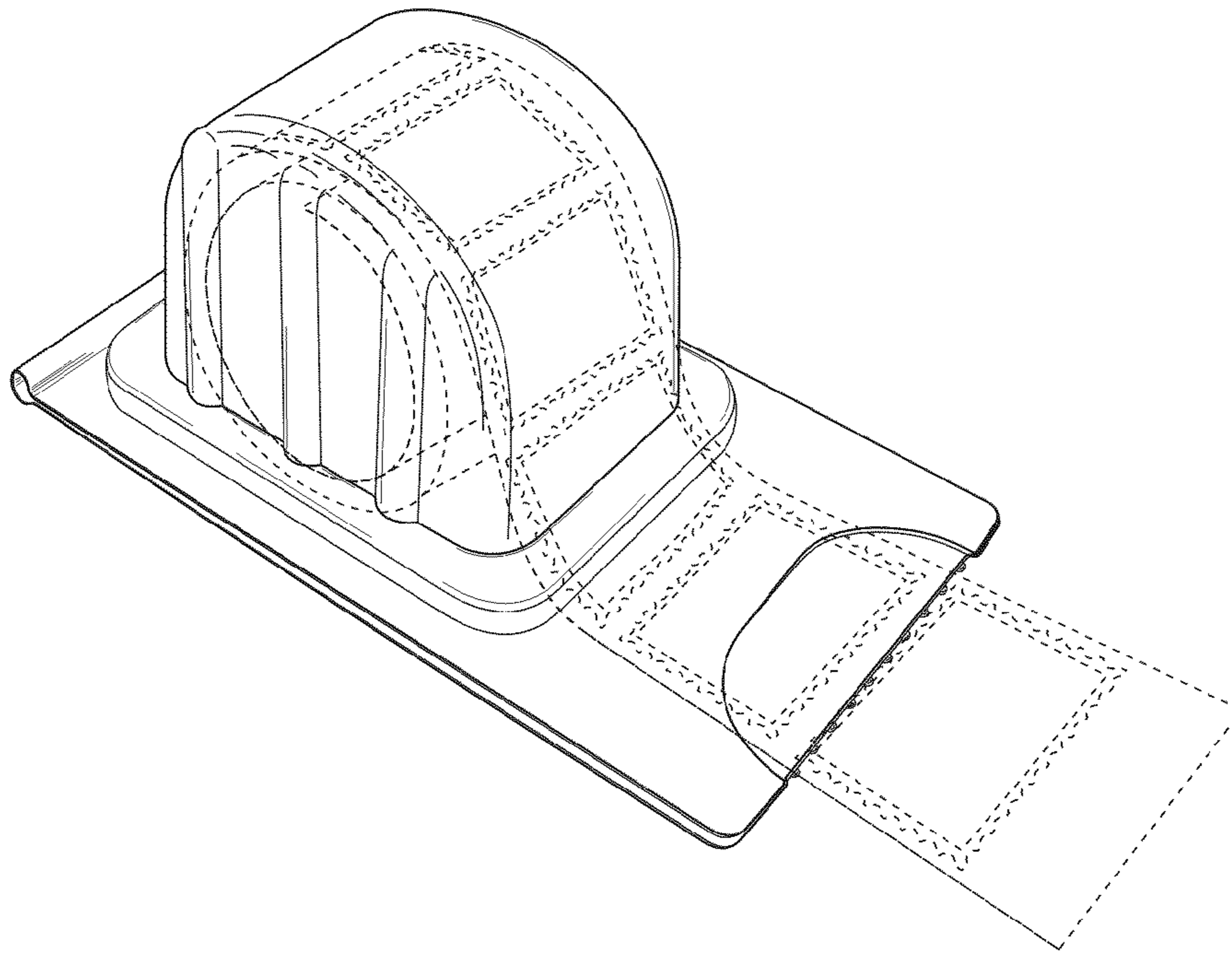


FIG. 1

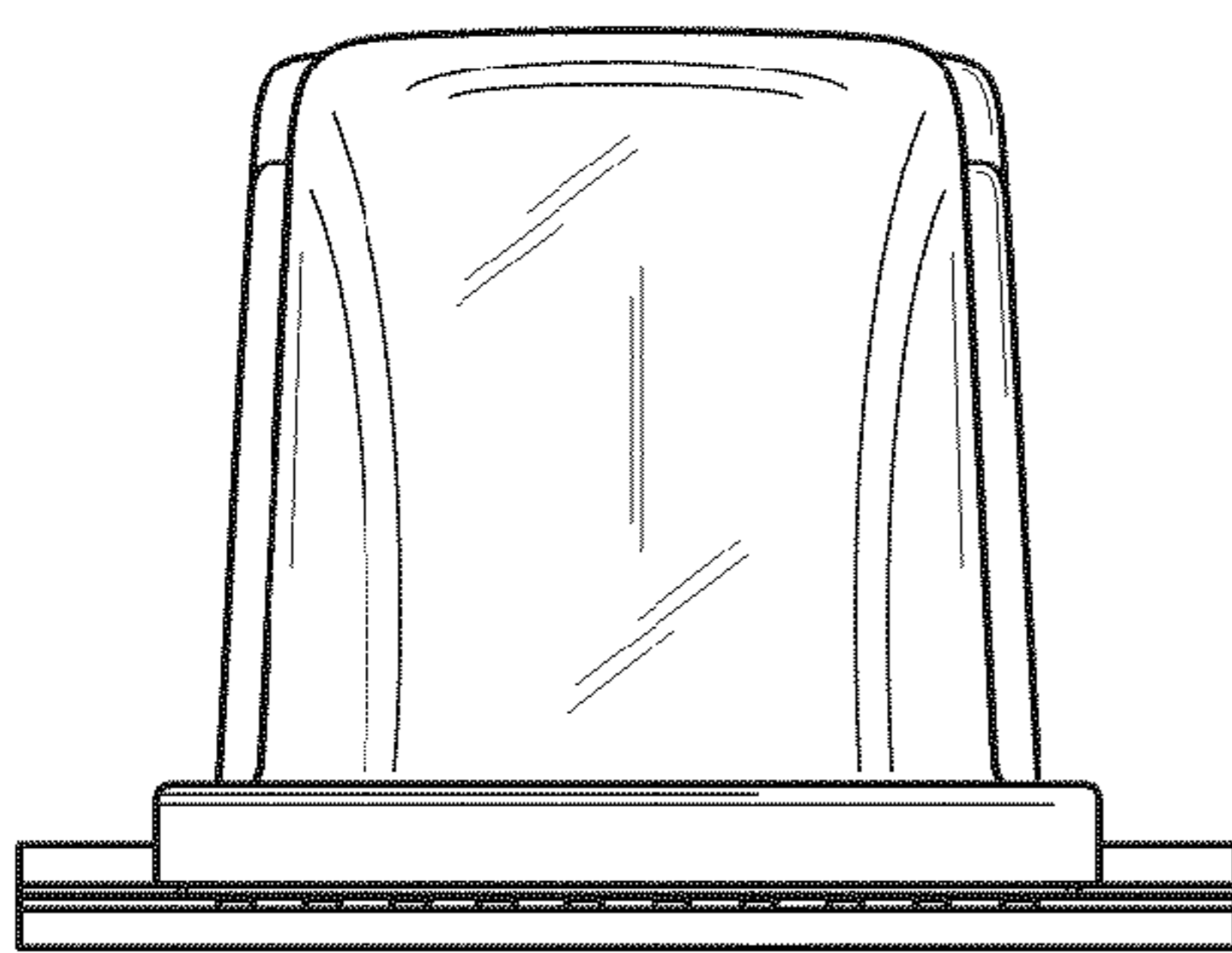


FIG. 2

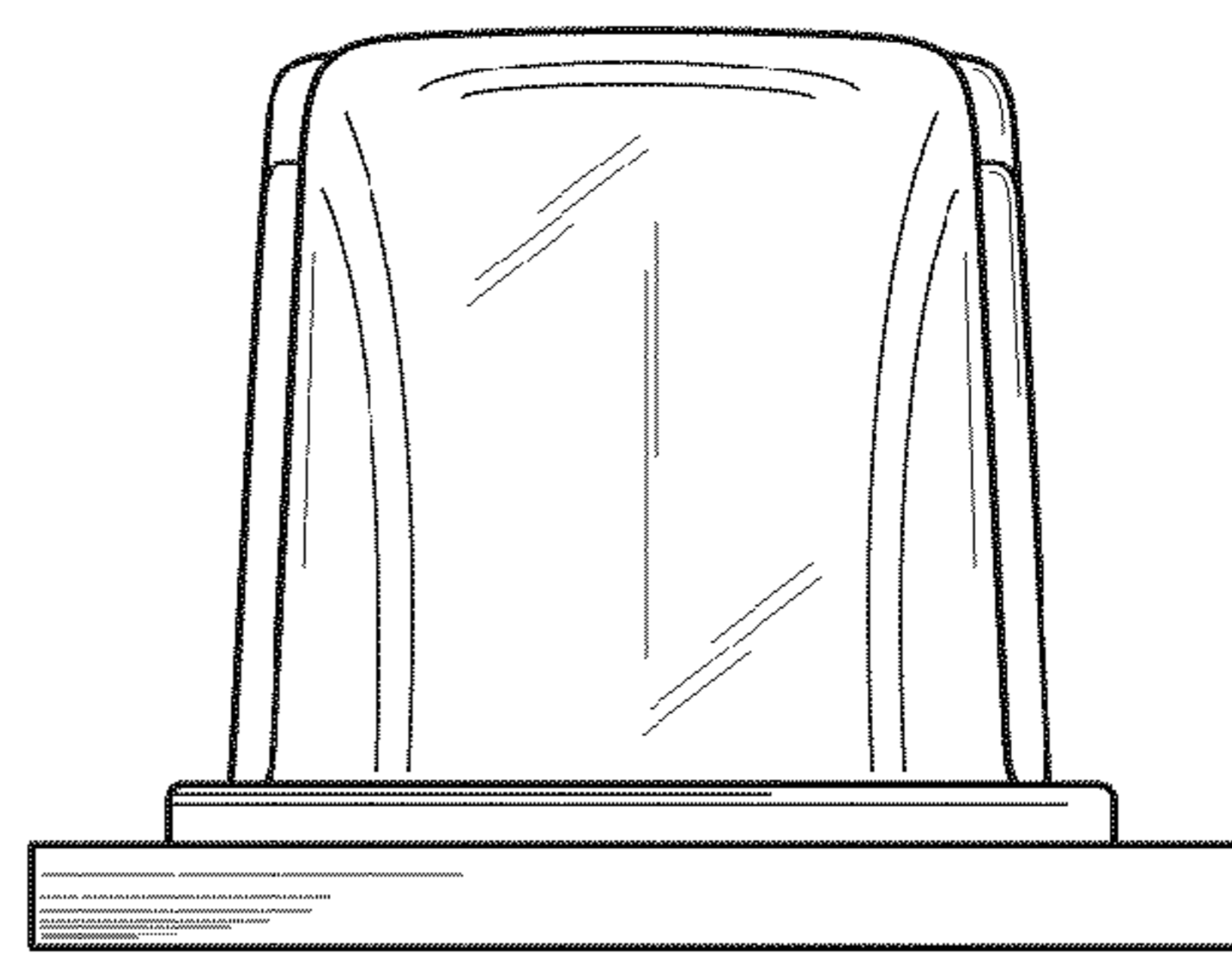


FIG. 3

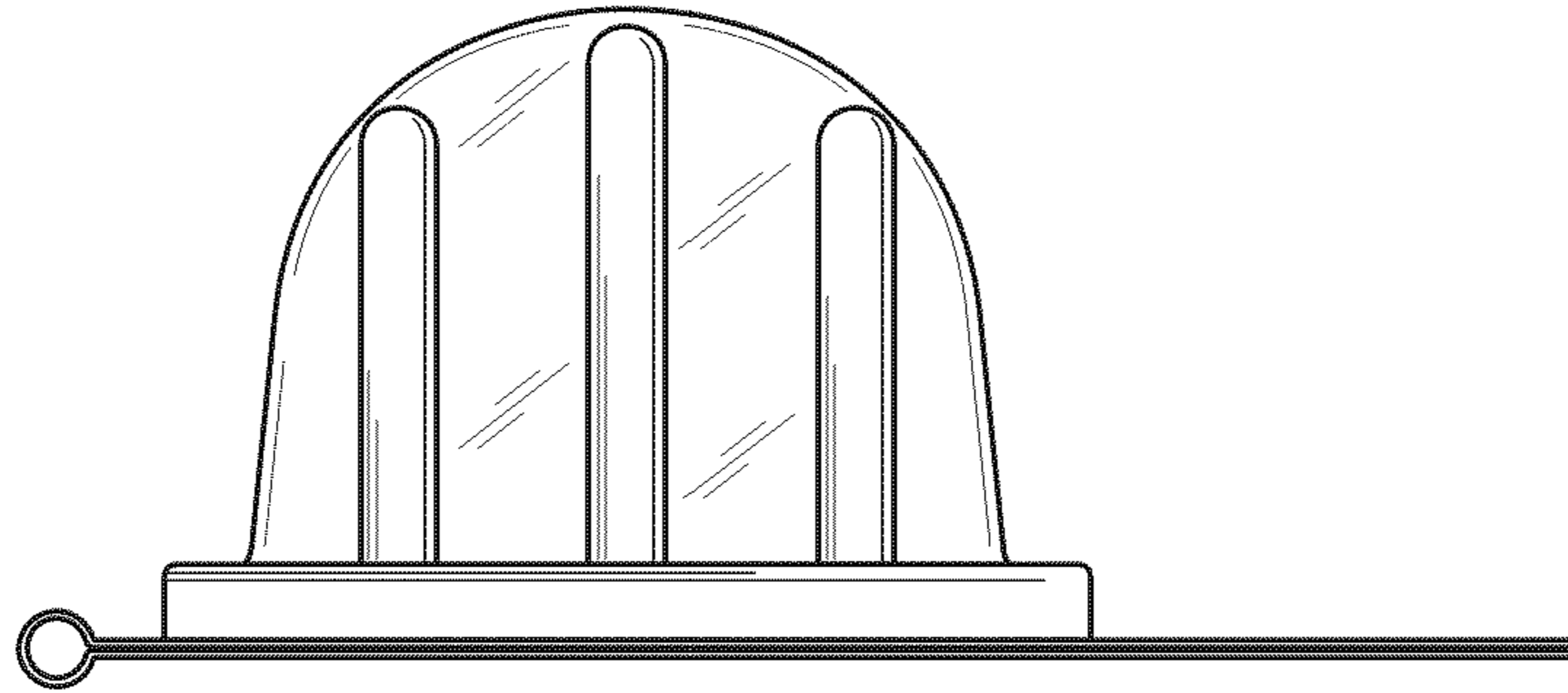


FIG. 4

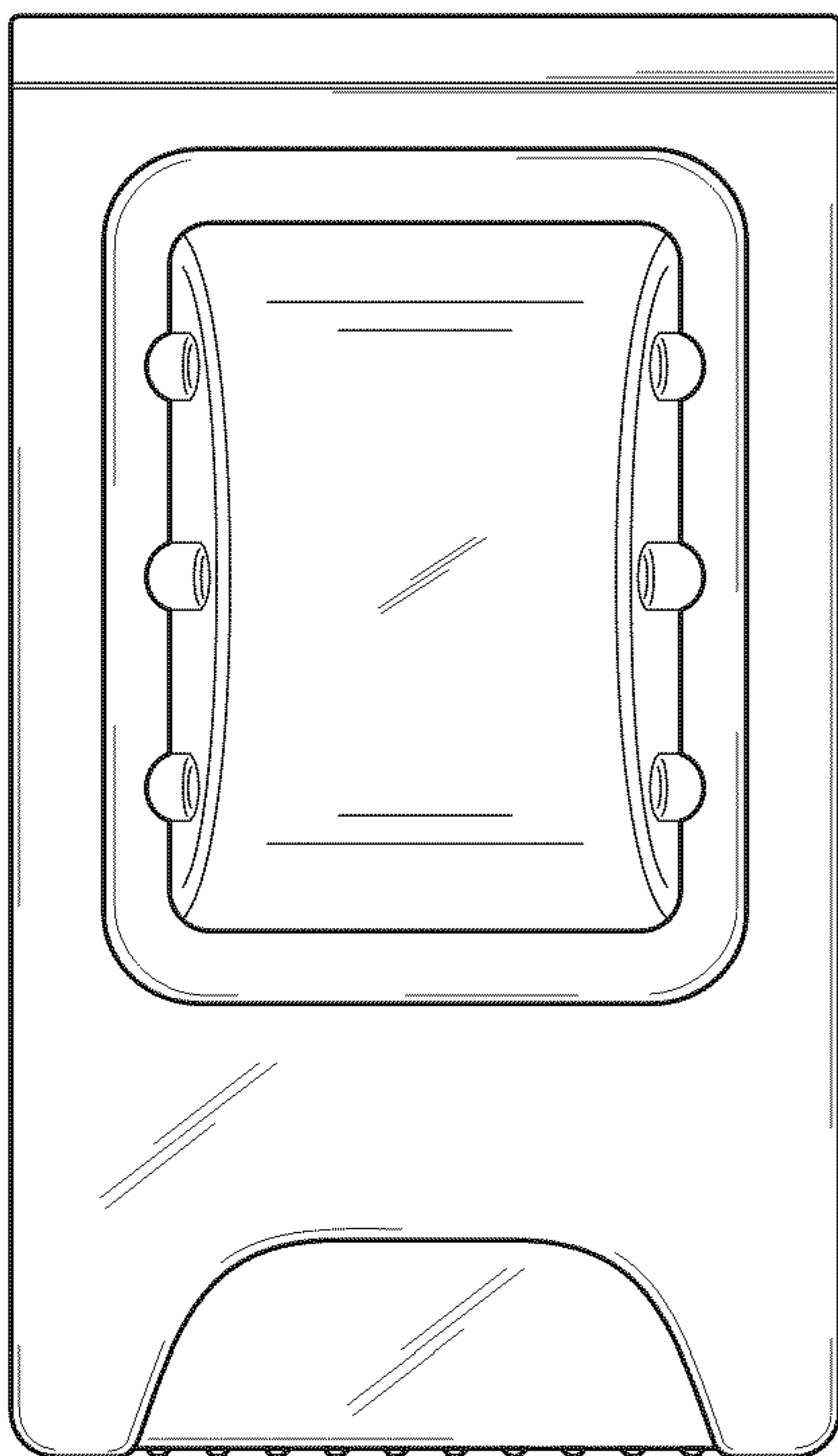


FIG. 5

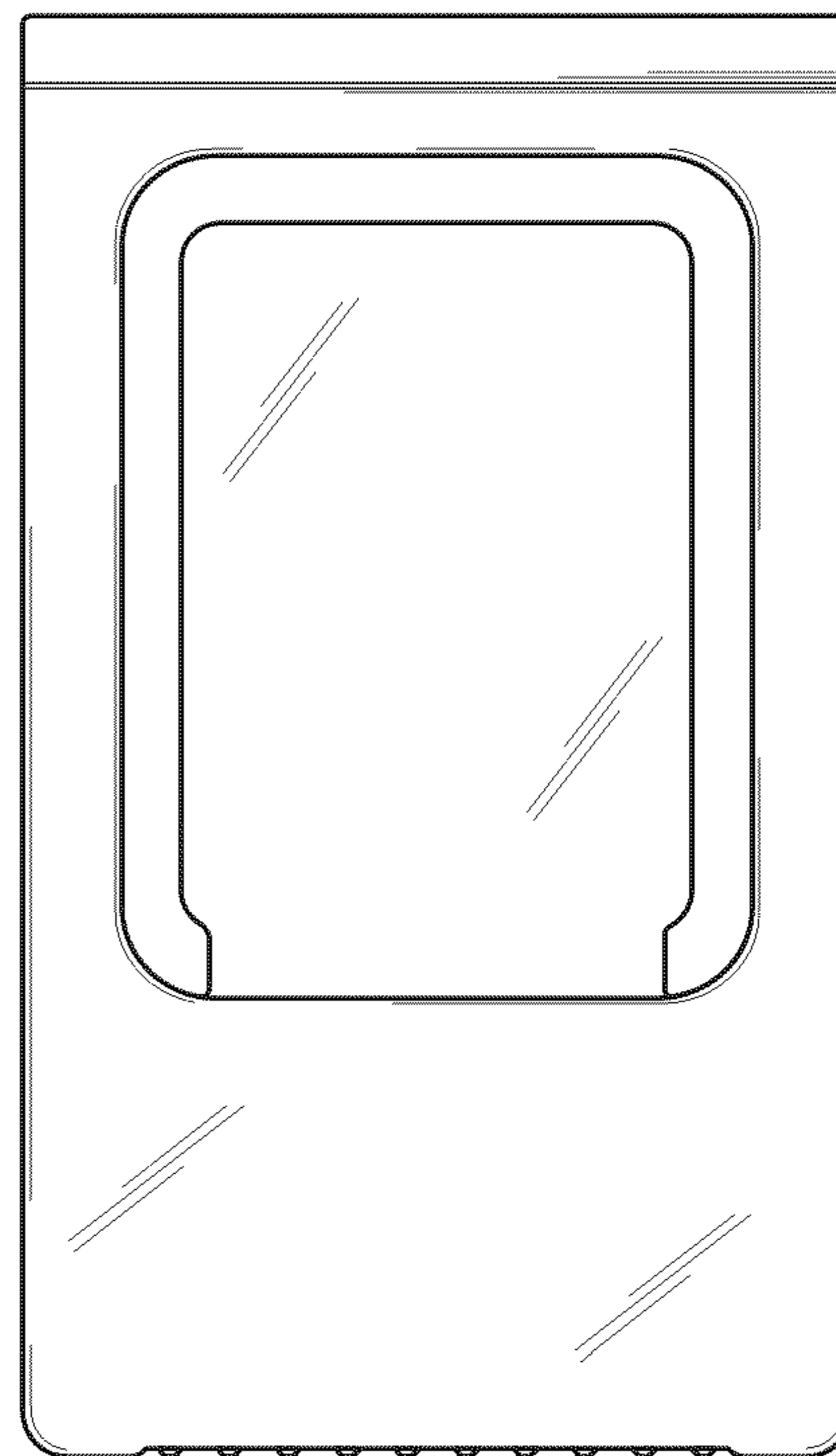


FIG. 6

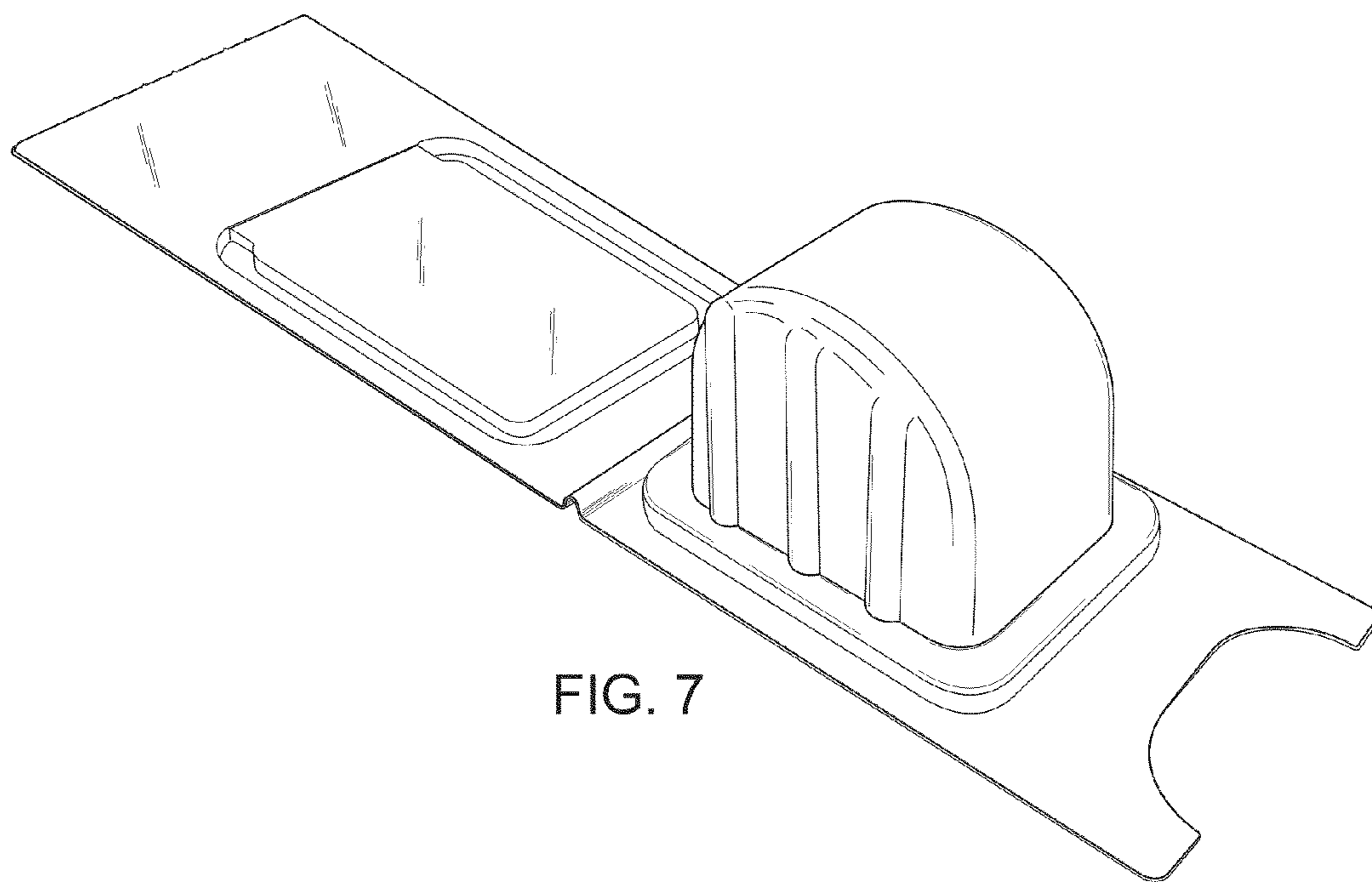


FIG. 7

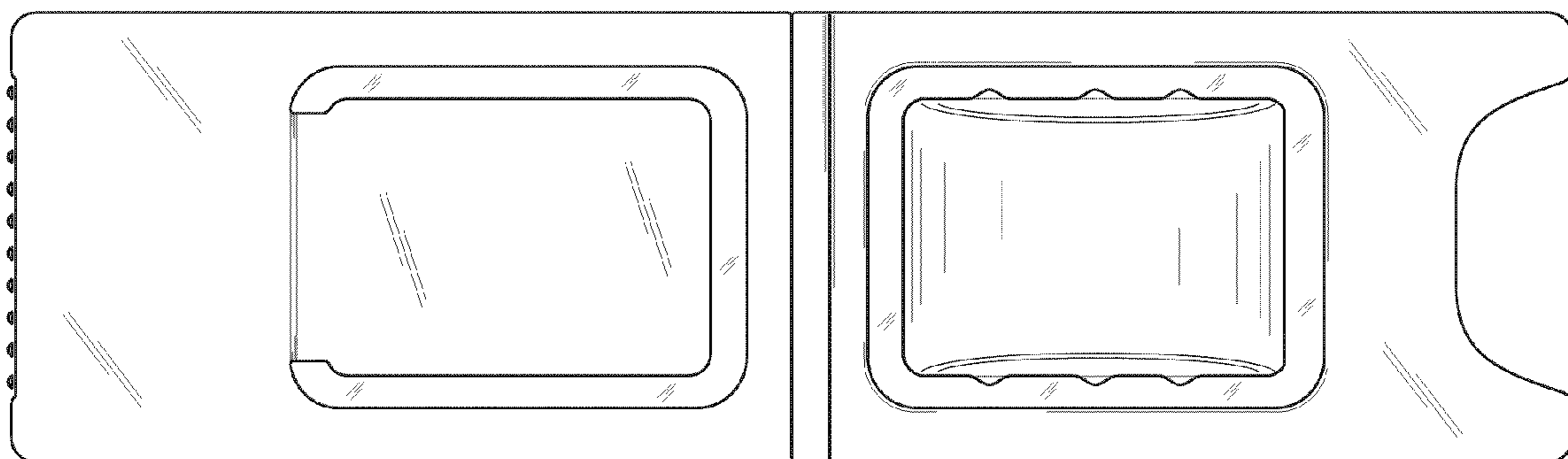


FIG. 8

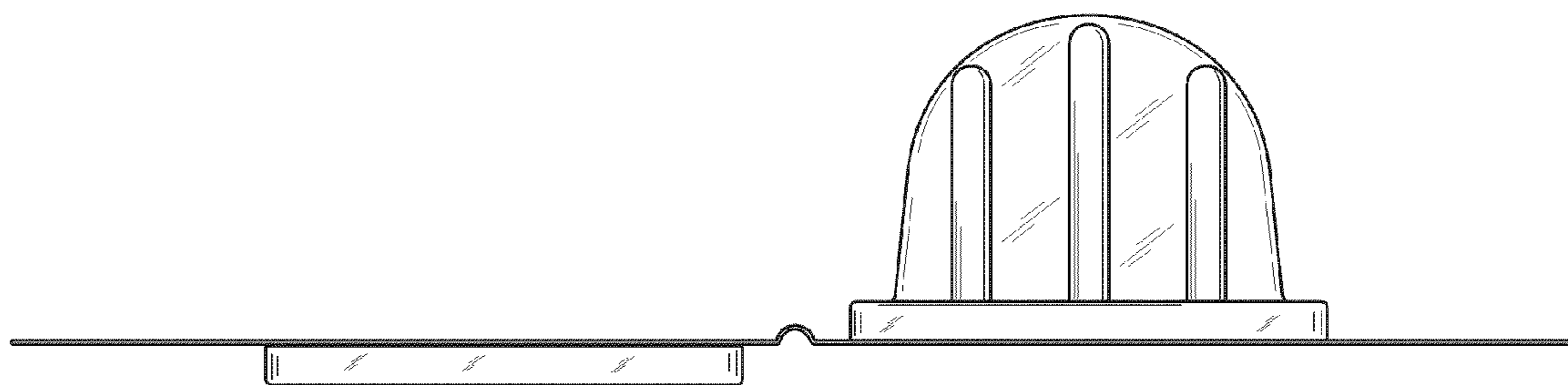


FIG. 9