



US00D558271S

(12) **United States Design Patent Rule**

(10) **Patent No.: US D558,271 S**

(45) **Date of Patent: ** Dec. 25, 2007**

(54) **COUNTING DEVICE**

(76) **Inventor: Scott Rule**, 1380 Langford Ct., Wheaton, IL (US) 60187

(**) **Term: 14 Years**

(21) **Appl. No.: 29/264,395**

(22) **Filed: Aug. 9, 2006**

(51) **LOC (8) Cl. 19-07**

(52) **U.S. Cl. D19/62**

(58) **Field of Classification Search** D19/59-64; D10/46.1; D18/6; D21/39; 116/222-225; 235/1 B, 123; 434/189, 203, 205

See application file for complete search history.

(56) **References Cited**

U.S. PATENT DOCUMENTS

232,482	A *	9/1880	Fitch	434/203
447,454	A *	3/1891	Vilasca	235/123
1,028,227	A *	6/1912	Kruger	434/203
1,099,009	A *	6/1914	Bennett	434/203

2,655,737	A *	10/1953	Don Dero	434/203
D248,332	S *	6/1978	Bailey et al.	D21/393
4,884,973	A *	12/1989	Pak	434/203
5,725,380	A *	3/1998	Kennelly	434/203
D399,522	S *	10/1998	Nye et al.	D18/6
D529,551	S *	10/2006	Rule	D19/62
D534,960	S *	1/2007	Rule	D19/62

* cited by examiner

Primary Examiner—Louis Zarfaz

Assistant Examiner—Mark Cavanna

(74) *Attorney, Agent, or Firm*—Pauley Petersen & Erickson

(57) **CLAIM**

The ornamental design for a counting device, as shown.

DESCRIPTION

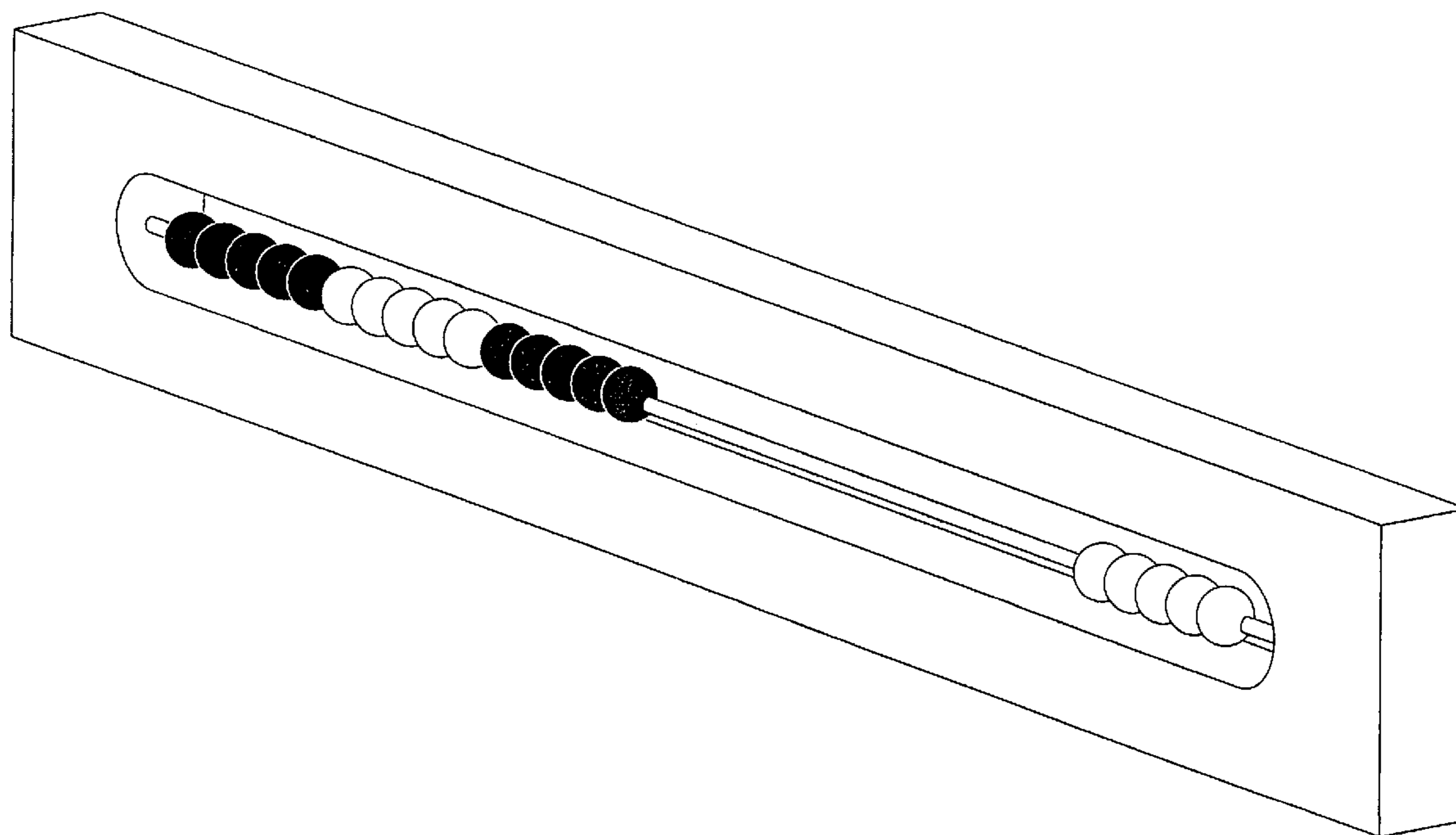
FIG. 1 is a front perspective view of a counting device;

FIG. 2 is a front view thereof;

FIG. 3 is a top view thereof; and,

FIG. 4 is a side view thereof.

1 Claim, 2 Drawing Sheets



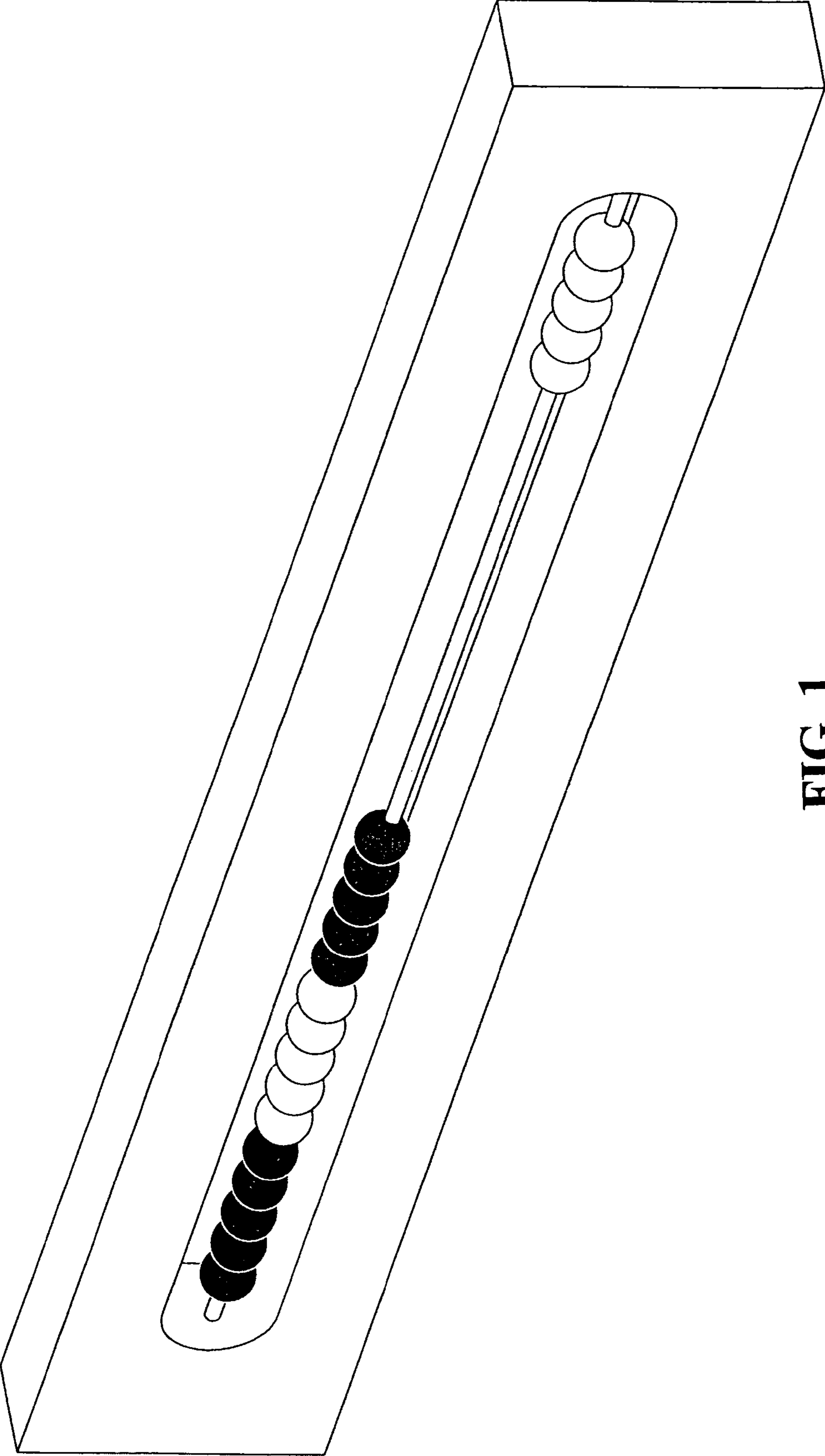


FIG. 1

