



US00D558270S

(12) **United States Design Patent** (10) **Patent No.:** **US D558,270 S**
Beno (45) **Date of Patent:** **** Dec. 25, 2007**

(54) **DISPLAY BOARD**

D382,598 S 8/1997 Schroepfel

(75) Inventor: **Steven J. Beno**, Gurnee, IL (US)

(Continued)

(73) Assignee: **ACCO Brands USA LLC**,
Lincolnshire, IL (US)

OTHER PUBLICATIONS

(**) Term: **14 Years**

Quartet Total Erase iQ Translucent Edge Dry-Erase Boards, Caddo Solutions—2007 Catalog—Item A—p. 271.*
Swipeboard (printed Apr. 7, 2006), <http://www.umbra.com/ustore/product.do?product=035702&colour=060>, p. 1.

(21) Appl. No.: **29/280,241**

(Continued)

(22) Filed: **May 22, 2007**

Primary Examiner—Robert M. Spear
Assistant Examiner—Mary Ann Calabrese

Related U.S. Application Data

(74) *Attorney, Agent, or Firm*—Michael Best & Friedrich LLP

(62) Division of application No. 29/241,509, filed on Oct. 28, 2005.

(57) **CLAIM**

(51) **LOC (8) Cl.** **19-06**
(52) **U.S. Cl.** **D19/52; D20/42**
(58) **Field of Classification Search** D20/10,
D20/13, 17, 22, 27, 40, 42, 43, 99; 40/200,
40/202, 204, 207, 546, 564, 584, 606.9, 624,
40/642.02, 649, 657, 661, 718; 283/56, 81;
362/812; D6/300; D19/52; D14/374
See application file for complete search history.

The ornamental design for a display board, as shown and described.

DESCRIPTION

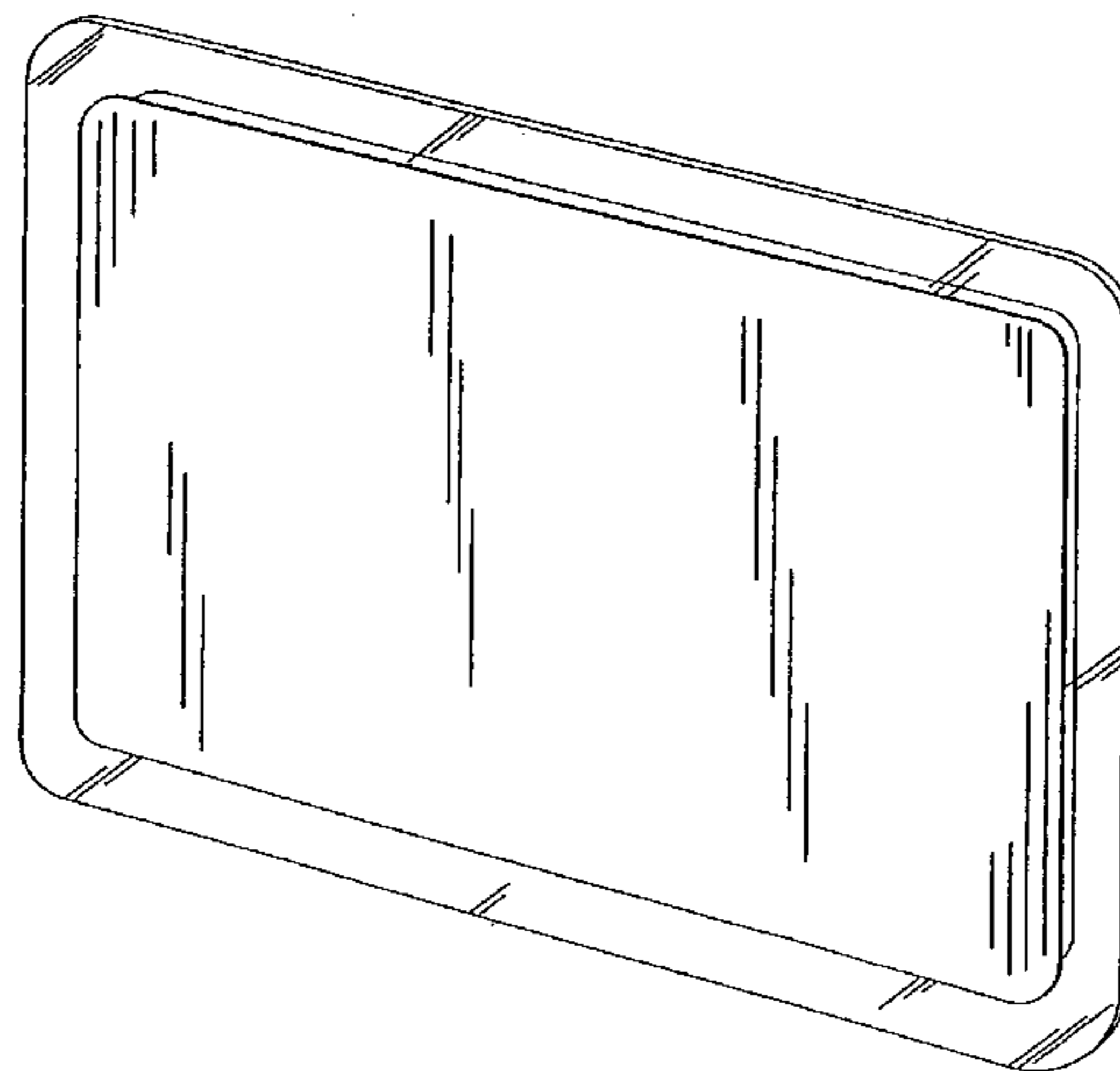
(56) **References Cited**

U.S. PATENT DOCUMENTS

227,662 A 5/1880 Thompson
277,164 A * 5/1883 Scrymgeour 434/422
D39,640 S * 10/1908 Eustis D6/300
1,844,545 A 2/1932 Donaldson
1,951,325 A * 3/1934 Brett 40/584
2,501,474 A 3/1950 Martin
3,047,970 A 8/1962 Bleiberg
D213,048 S * 12/1968 McFadyen D20/42
D243,378 S * 2/1977 Tharp D6/300
4,161,834 A 7/1979 Hendricks, Jr.
4,519,152 A * 5/1985 Seely et al. 40/791
D280,745 S 9/1985 Cobb
4,648,189 A 3/1987 Michel
D300,642 S 4/1989 Pawlik et al.
D354,087 S 1/1995 Dunlap et al.
D372,591 S * 8/1996 Brunner et al. D6/300

FIG. 1 is a perspective view of a board showing my new design;
FIG. 2 is a plan view of the board of FIG. 1;
FIG. 3 is a side elevational view of the board of FIGS. 1 and 2, the opposite side view being the mirror image;
FIG. 4 is a right side elevational view of the board of FIGS. 1–3, the opposite side view being the mirror image; design;
FIG. 5 is a bottom view of the board of FIGS. 1–4;
FIG. 6 is a plan view of another embodiment of a board showing my new design;
FIG. 7 is a side elevational view of the board of FIG. 6, the opposite side view being the mirror image;
FIG. 8 is a right side elevational view of the board of FIGS. 6–7, the opposite side view being the mirror image; and,
FIG. 9 is a bottom view of the board of FIGS. 6–8.
The broken lines are for illustration purposes only and form no part of the claimed design.

1 Claim, 4 Drawing Sheets



US D558,270 S

Page 2

U.S. PATENT DOCUMENTS

D393,001 S 3/1998 Mayo
D399,264 S 10/1998 Klink
D401,766 S * 12/1998 Fry D6/302
D427,641 S 7/2000 Palmer
D434,571 S * 12/2000 Copeland D6/314
D443,655 S 6/2001 Chaikel et al.
6,263,604 B1 7/2001 Williams
D458,459 S * 6/2002 Gottwald D6/300
D489,031 S 4/2004 Leibman
D506,074 S 6/2005 Chen et al.
D519,117 S 4/2006 Lewis
2003/0147008 A1* 8/2003 Liu 348/552

2005/0132625 A1 6/2005 Schwester

OTHER PUBLICATIONS

Franken Dry Erase Board (Date Unknown), p. 1.
(Manufacturer Unknown) (Date Unknown), p. 1.
Topdeq, Nice Notice Marker Board (printed Apr. 7, 2006), http://www.topdeq.com/topdeq/product.do?catid=us_90&prodid=pp_NICE+NOTICE, p. 1.
The Board Dudes Clear Acrylic Dry Erase Board (printed Apr. 7, 2006), <http://store.yahoo.com/boarddudesdirect/clacdryerbo1.html>, pp. 1 & 2.
Cristallo Office Signs (Date Unknown), p. 1.

* cited by examiner

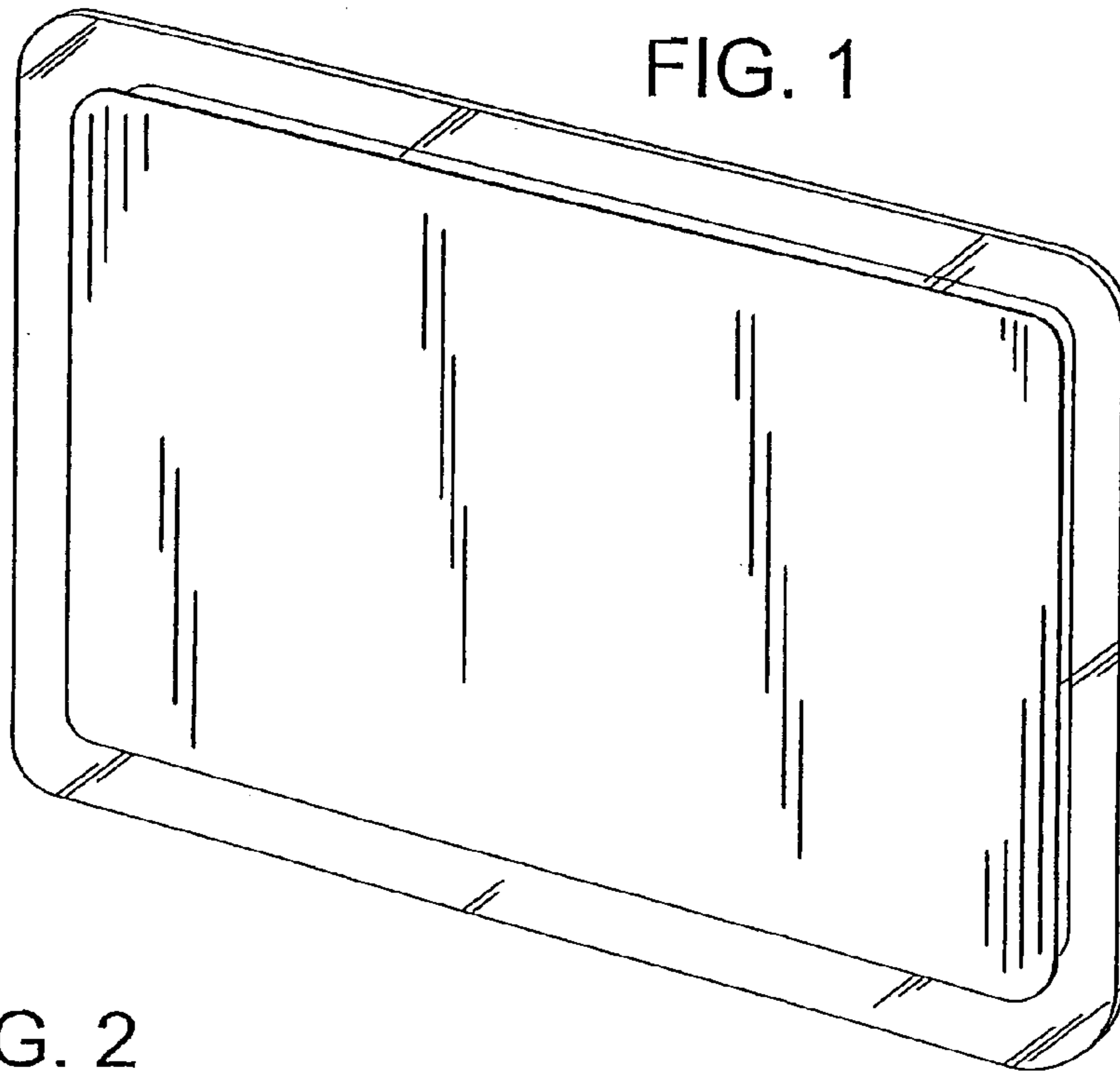


FIG. 1

FIG. 2

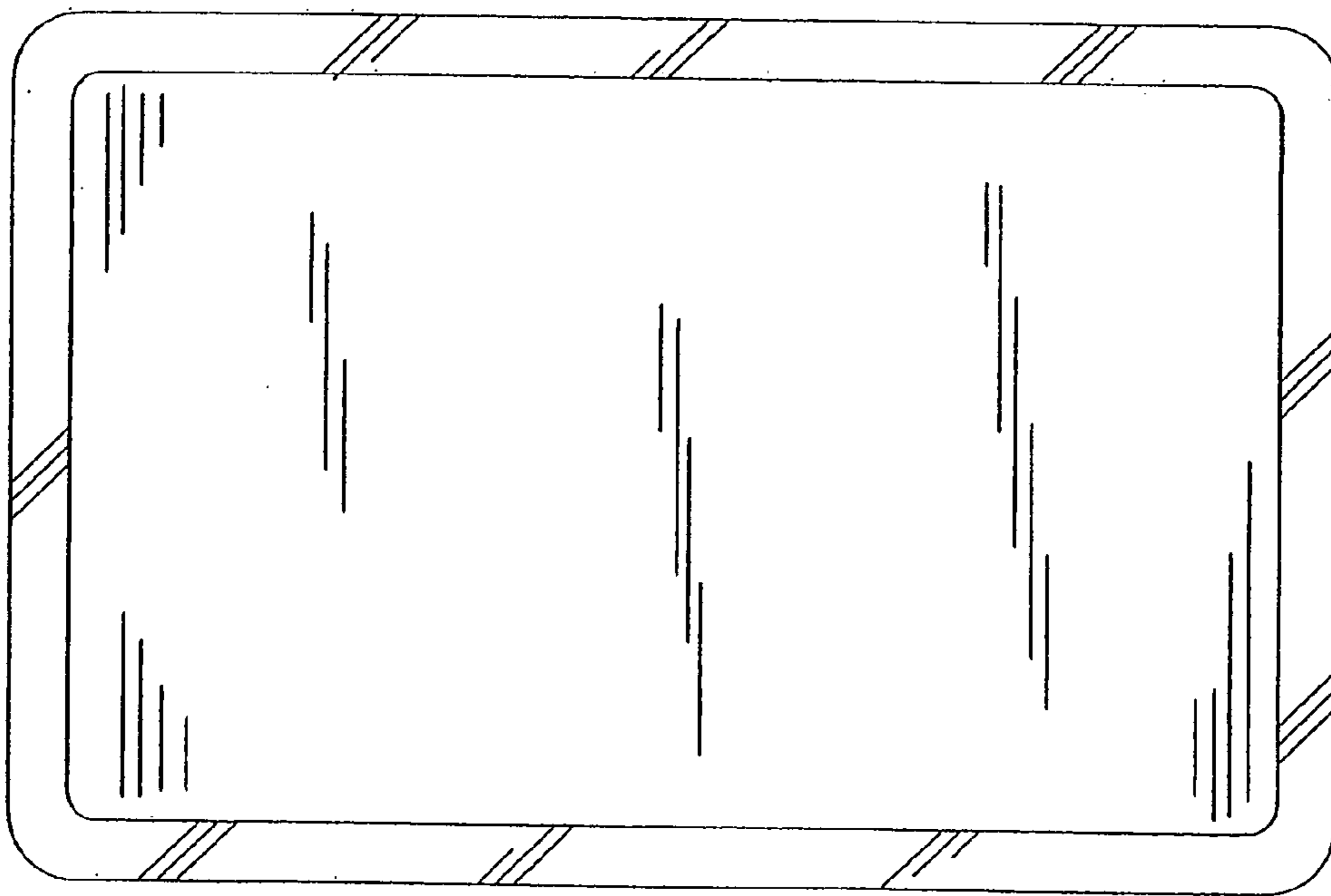


FIG. 3

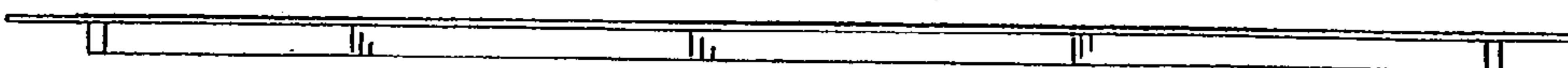


FIG. 4

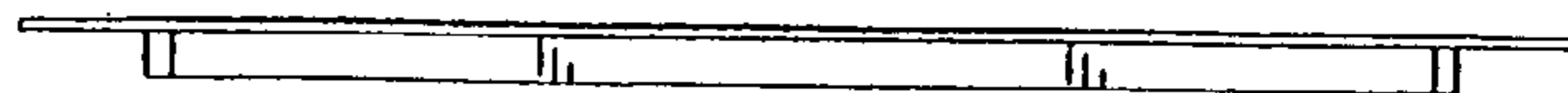


FIG. 5

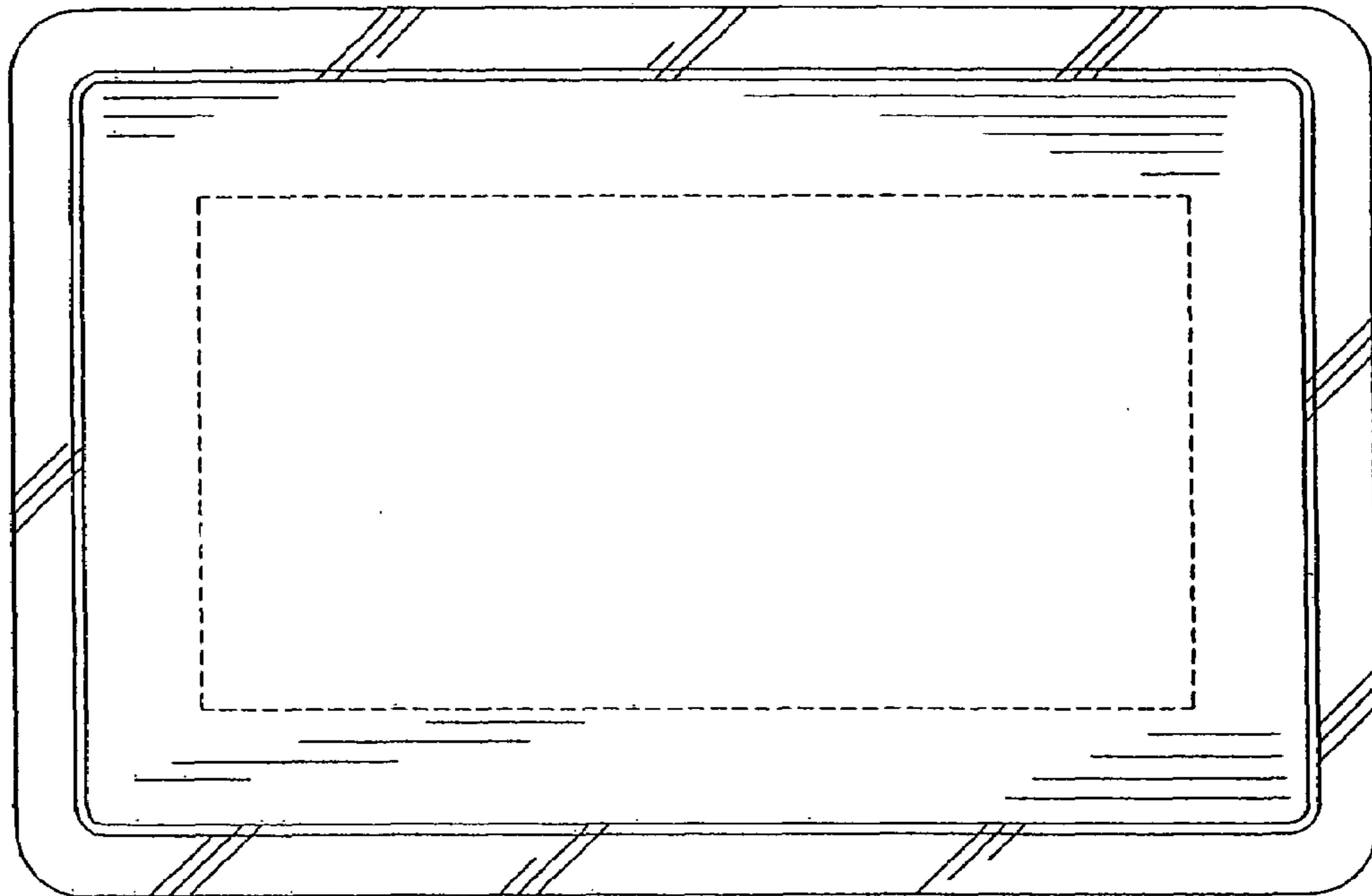


FIG. 6

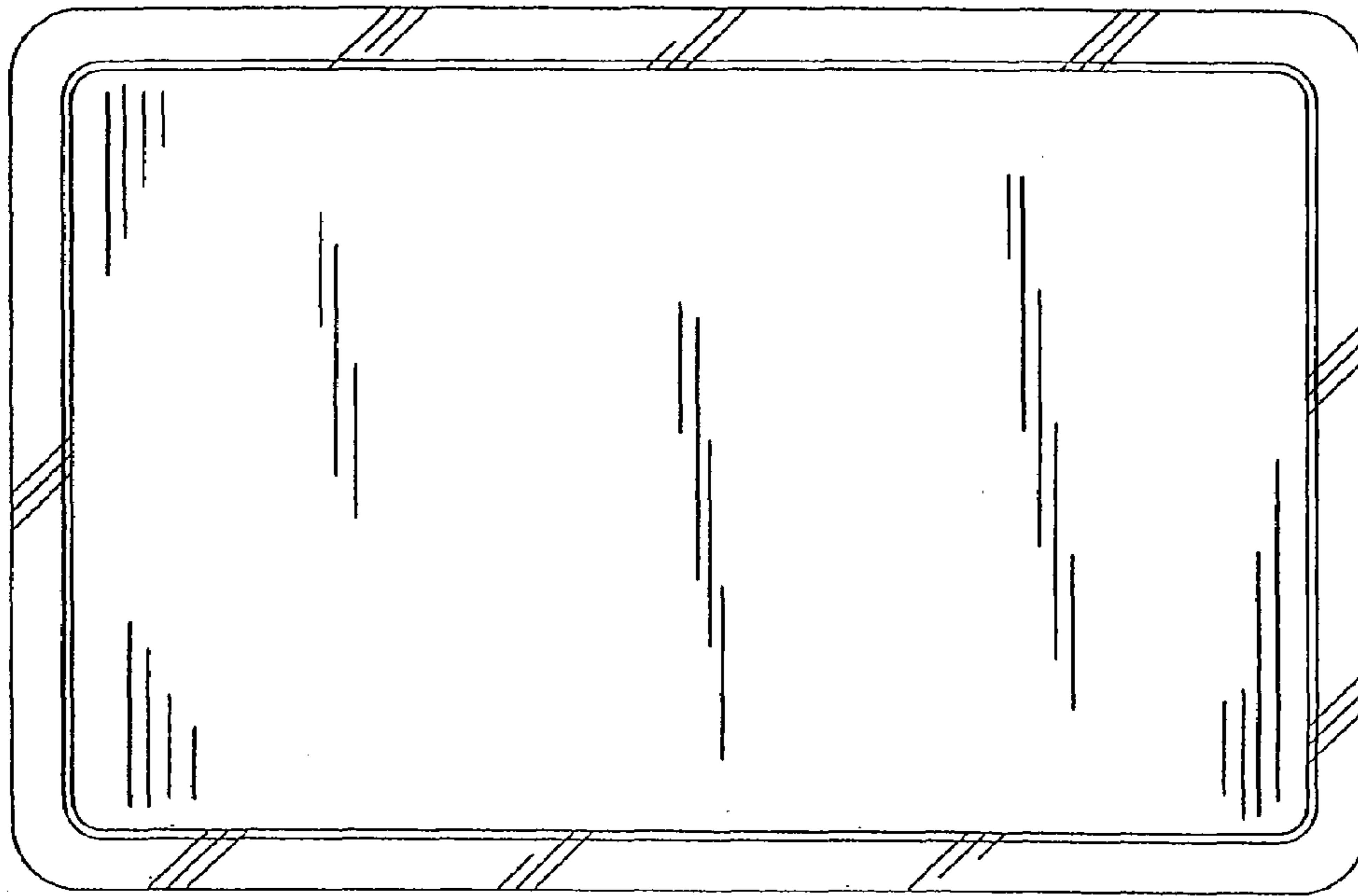


FIG. 7

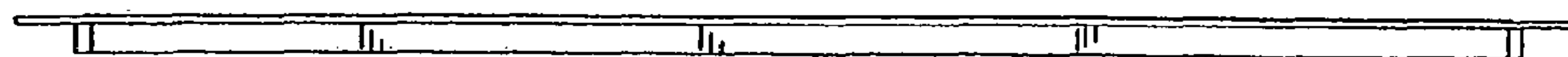


FIG. 8

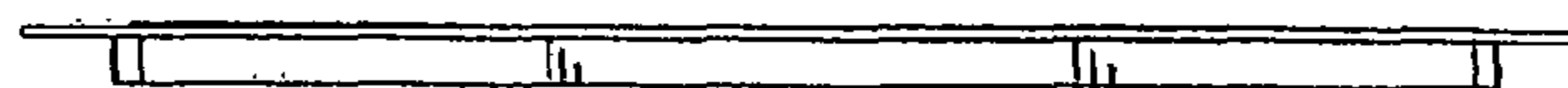


FIG.9

