



US00D558264S

(12) **United States Design Patent**
Smith et al.

(10) **Patent No.:** **US D558,264 S**

(45) **Date of Patent:** **** Dec. 25, 2007**

(54) **PRINTER HOUSING**

(75) Inventors: **Michael Smith**, Austin, TX (US);
Pedro M. Alfonso, Austin, TX (US);
Greg Holderfield, Oak Park, IL (US)

(73) Assignee: **Dell Products L.P.**, Round Rock, TX (US)

(**) Term: **14 Years**

(21) Appl. No.: **29/248,693**

(22) Filed: **Aug. 29, 2006**

(51) **LOC (8) Cl.** **14-02**

(52) **U.S. Cl.** **D18/55**

(58) **Field of Classification Search** D18/50,
D18/54, 54.1, 55; D14/420-425, 462-470;
400/613, 613.1-613.4, 691-694, 690.1-690.4
See application file for complete search history.

(56) **References Cited**

U.S. PATENT DOCUMENTS

D325,744 S *	4/1992	Tokuda	D18/55
D346,820 S *	5/1994	Etou et al.	D18/55
D412,341 S *	7/1999	Miyazawa	D18/55
D455,172 S *	4/2002	Falk et al.	D18/55
D474,501 S *	5/2003	Hayashi	D18/55
D501,874 S	2/2005	Ishigami	D18/50
D502,732 S	3/2005	Ishigami	D18/50
D505,154 S	5/2005	Wong et al.	D18/50

D521,060 S *	5/2006	Katayama	D18/55
D527,045 S *	8/2006	Lim et al.	D18/50
D533,586 S *	12/2006	Nakamura et al.	D18/55
D535,325 S *	1/2007	Yamaguchi	D18/55
D544,906 S *	6/2007	Alfonso et al.	D18/55
2004/0131378 A1 *	7/2004	Hattori et al.	399/90
2007/0014620 A1 *	1/2007	Sugimoto	400/691

* cited by examiner

Primary Examiner—Cathy Anne MacCormac

(74) *Attorney, Agent, or Firm*—Hamilton & Terrile, LLP;
Robert W. Holland

(57) **CLAIM**

The ornamental design for a printer housing, as shown and described.

DESCRIPTION

FIG. 1 is a right front perspective view of a printer housing comprising the present invention;

FIG. 2 is a front elevation view thereof;

FIG. 3 is a right side elevation view thereof;

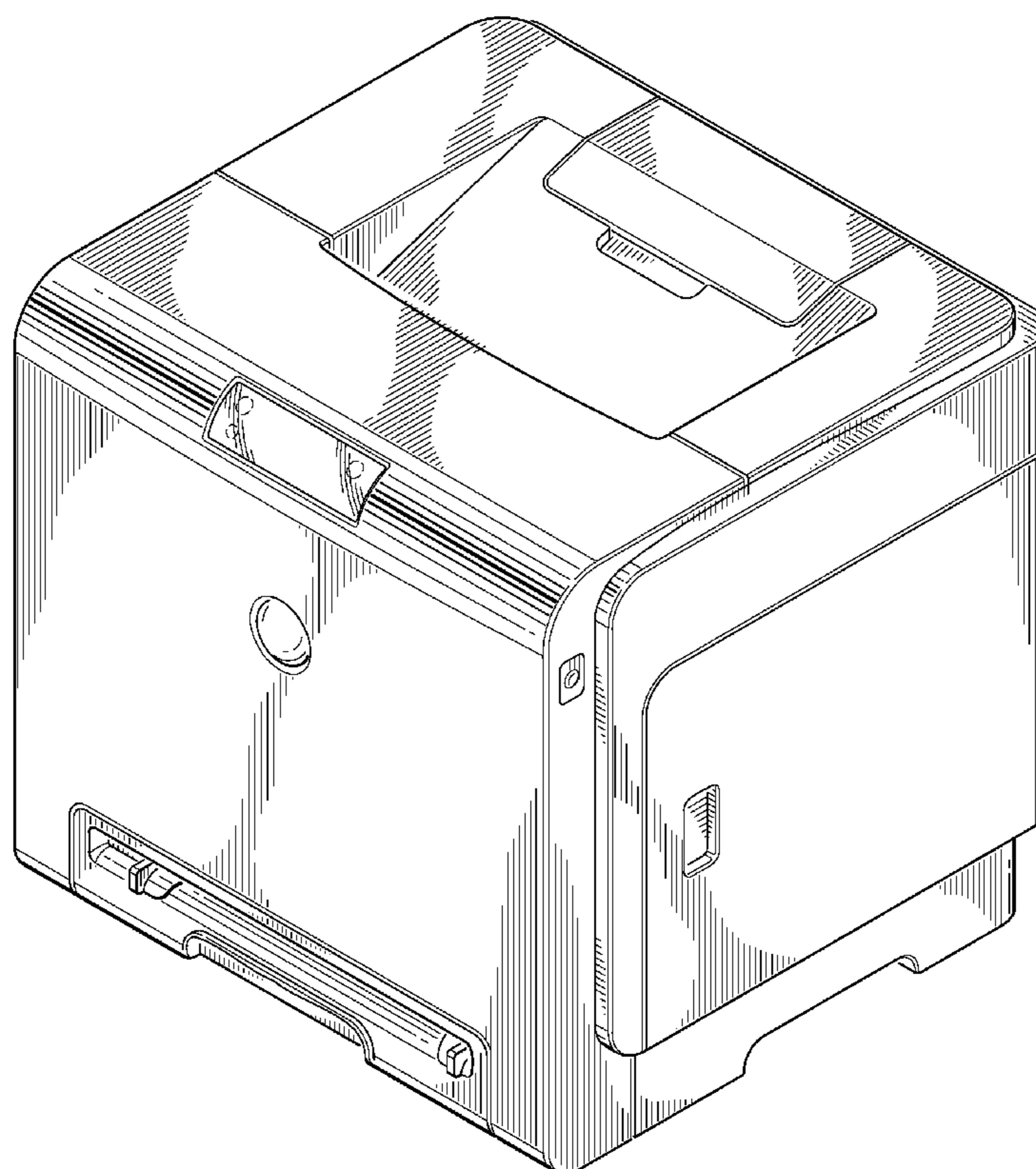
FIG. 4 is a left side elevation view thereof;

FIG. 5 is a rear elevation view thereof; and,

FIG. 6 is a top plan view thereof.

The broken lines are for illustrative purposes only and form no part of the claimed design.

1 Claim, 4 Drawing Sheets



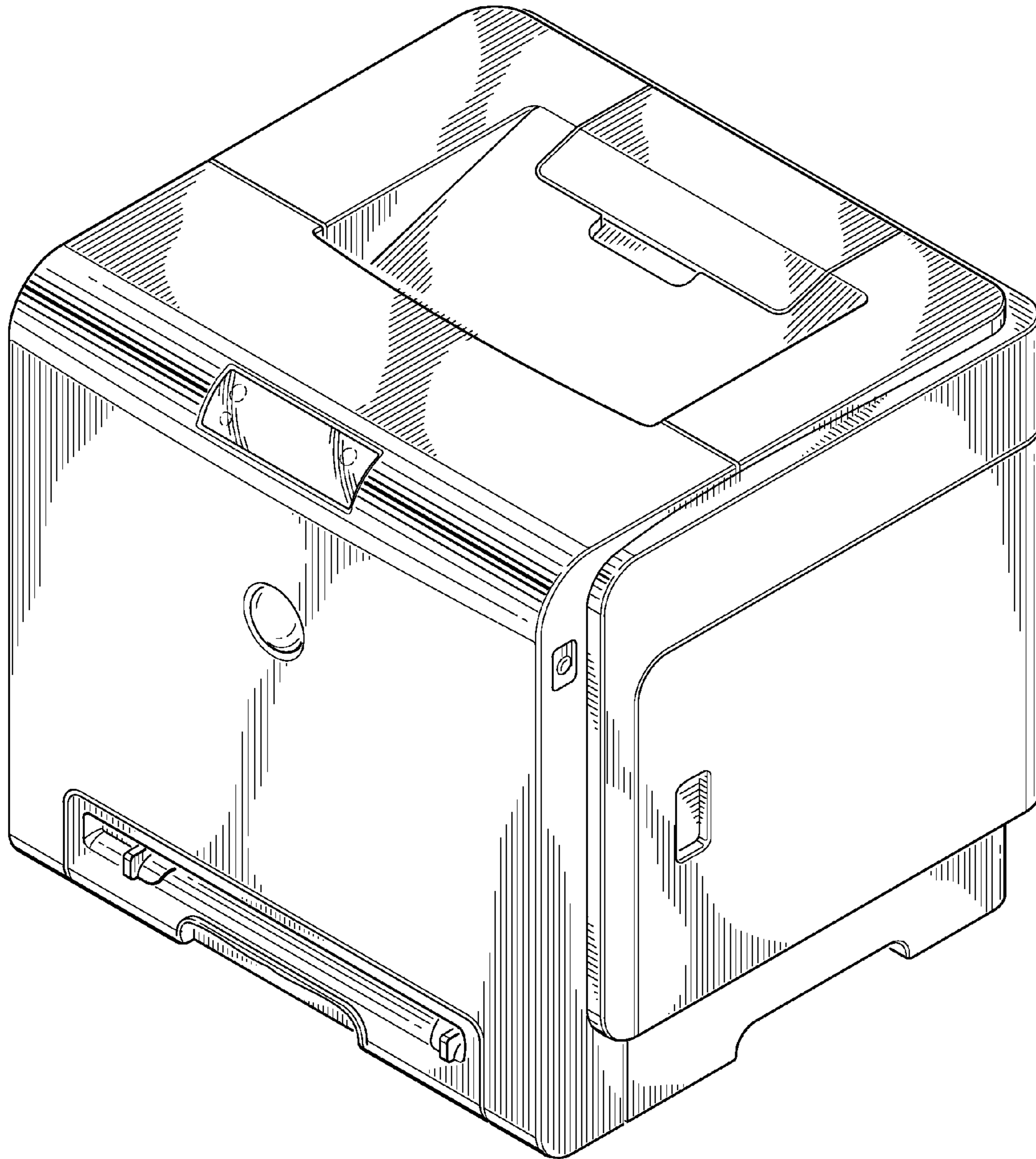
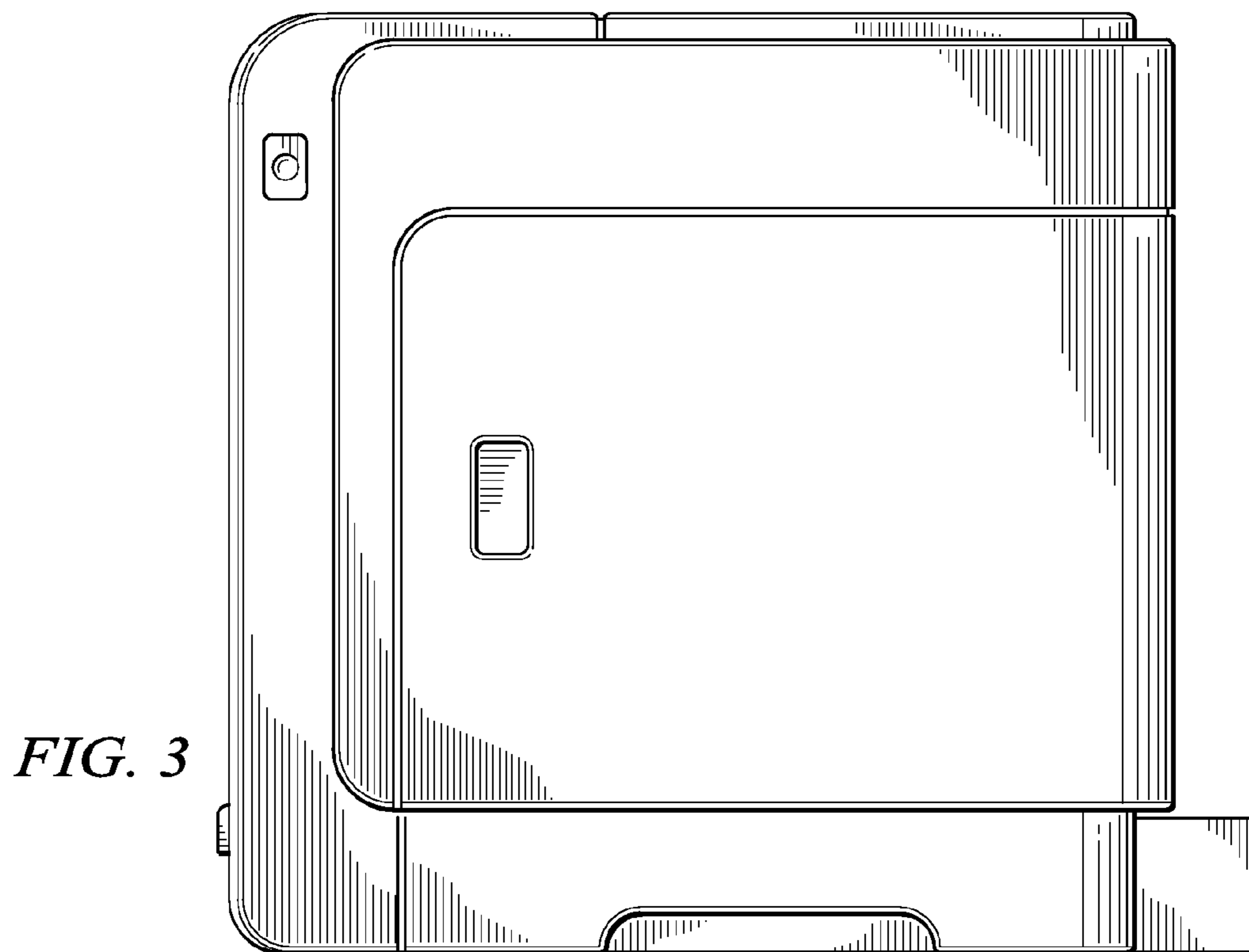
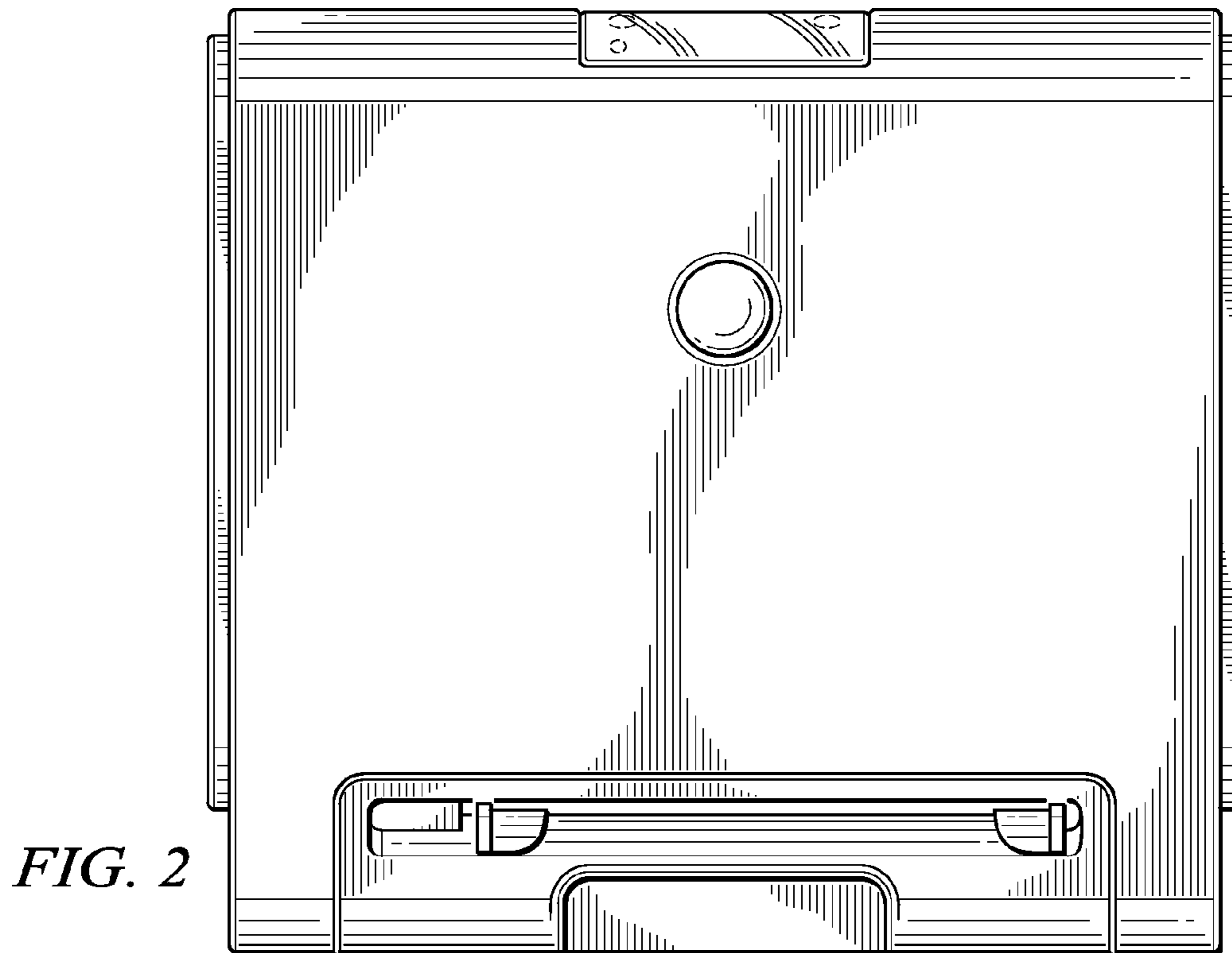


FIG. 1



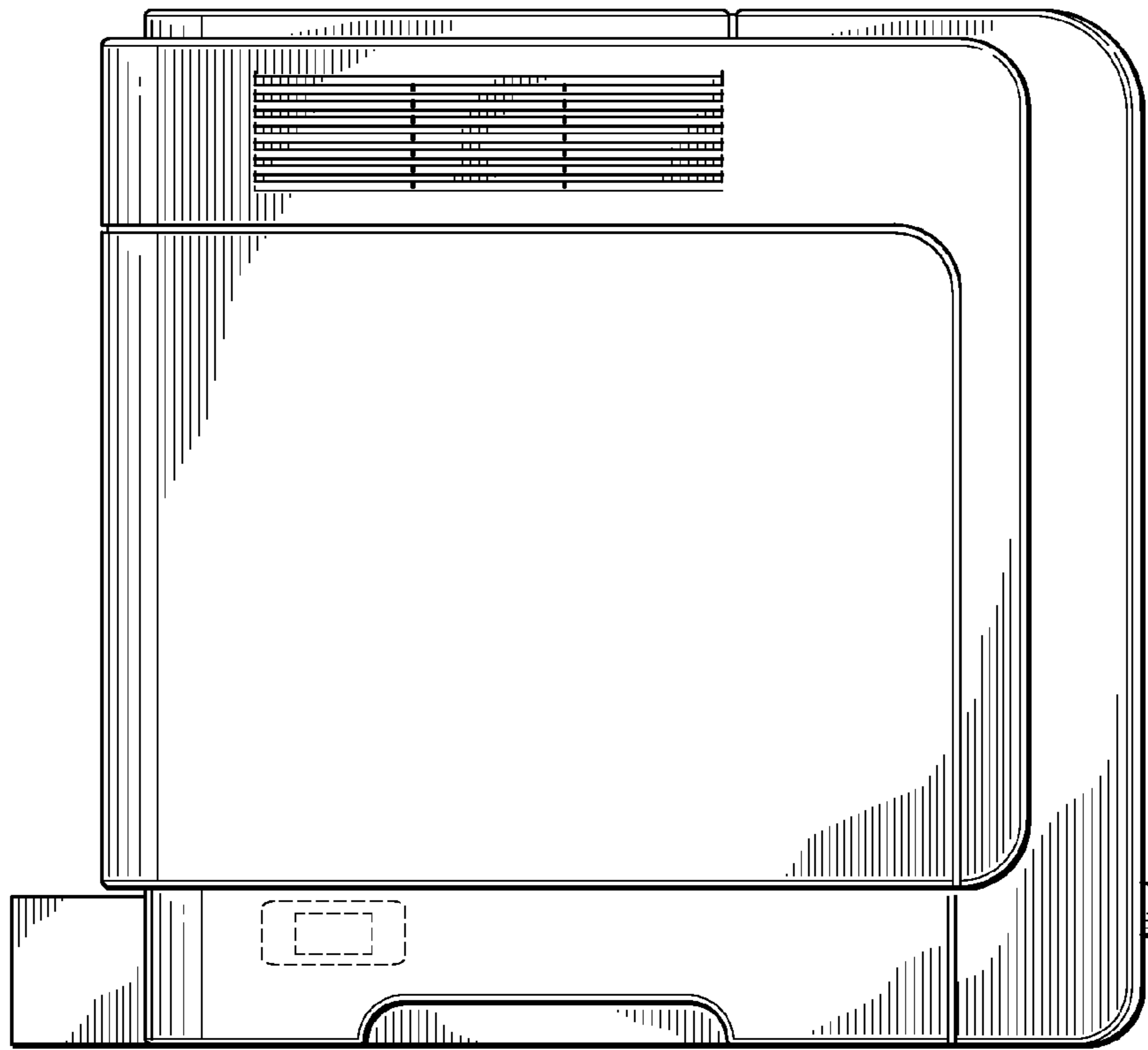


FIG. 4

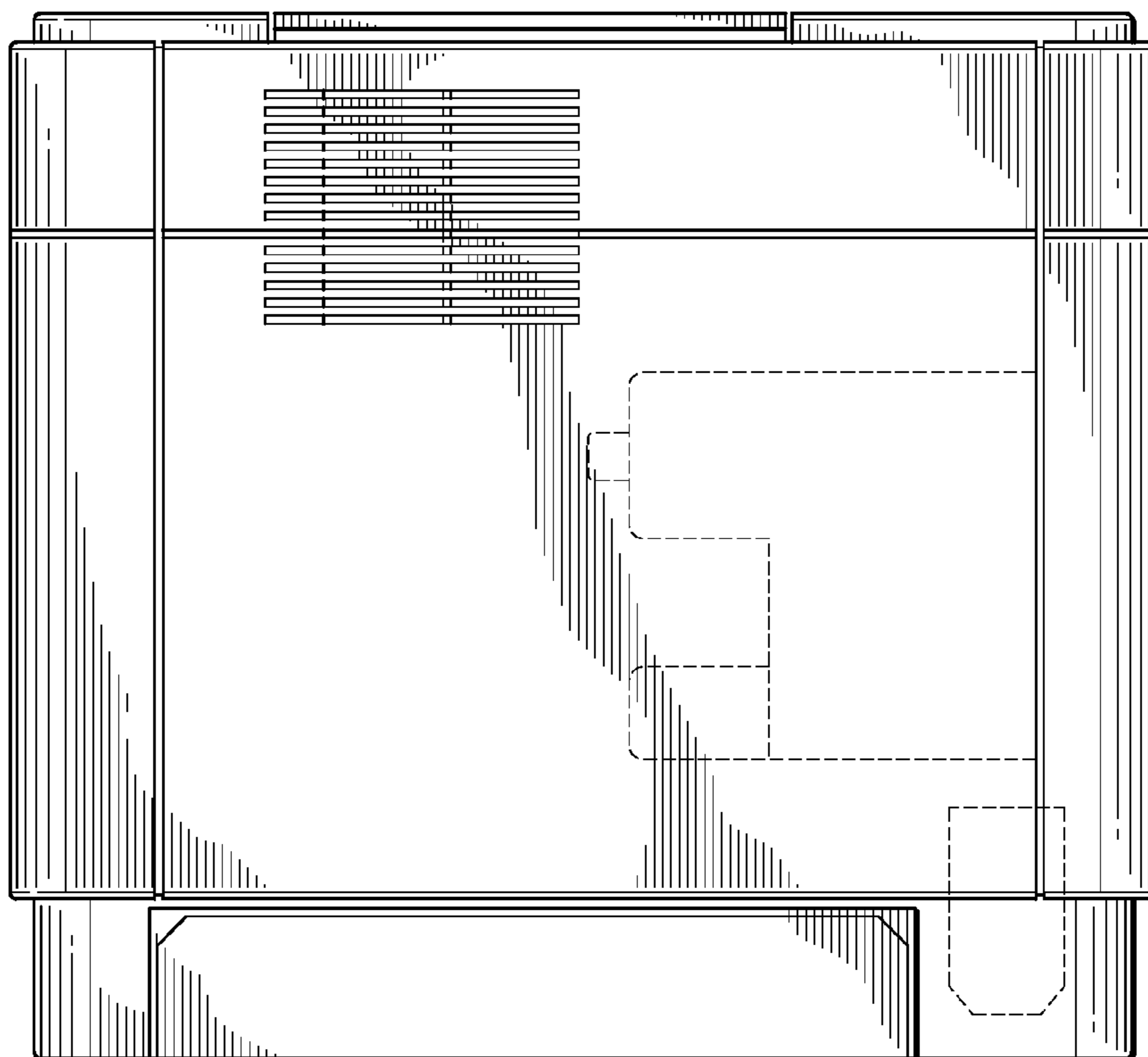


FIG. 5

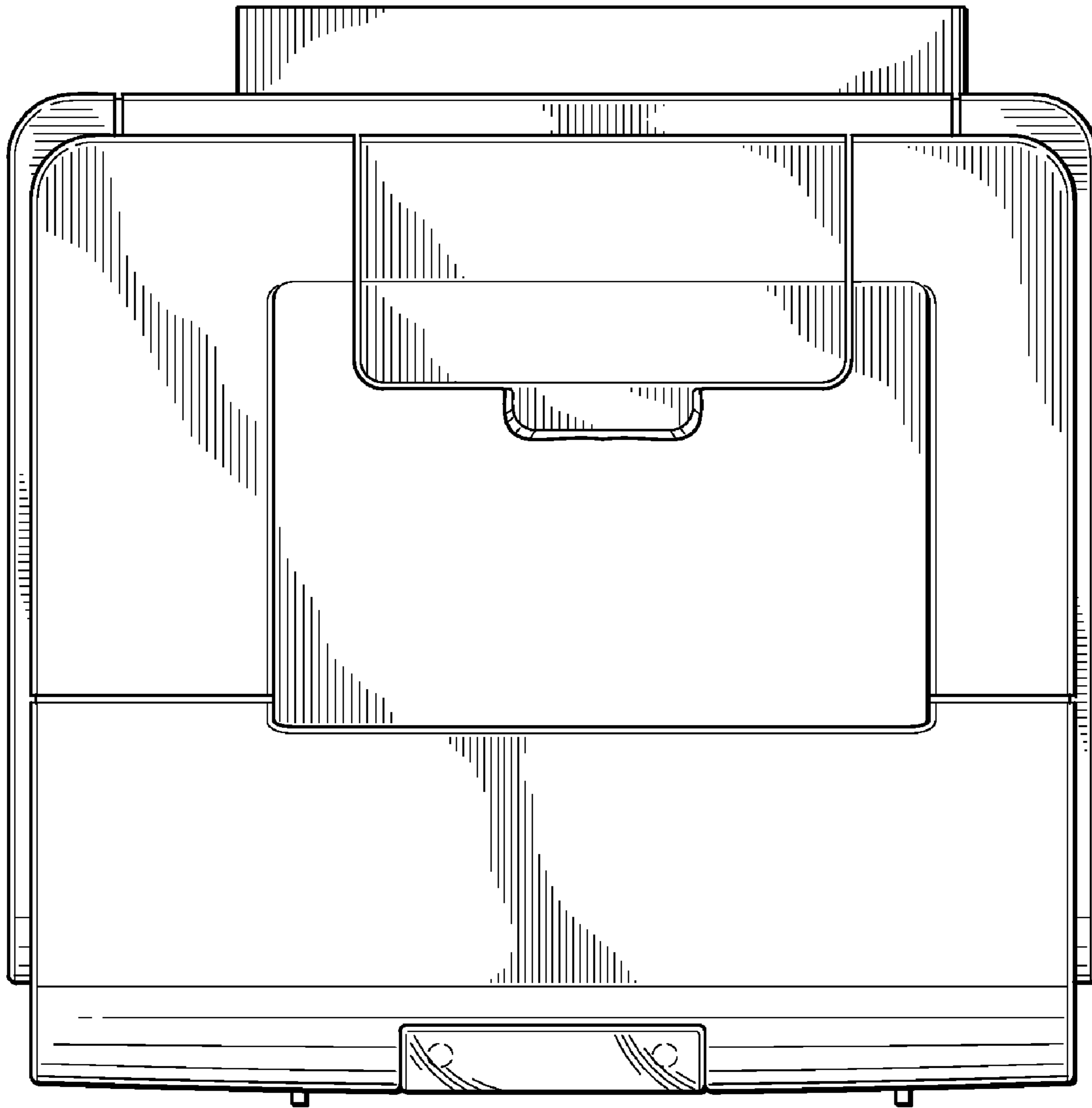


FIG. 6