



US00D558262S

(12) **United States Design Patent**  
**Hong et al.**

(10) **Patent No.:** **US D558,262 S**

(45) **Date of Patent:** **\*\* Dec. 25, 2007**

(54) **PORTABLE MOBILE PRINTER**

(75) Inventors: **Yun-Gi Hong**, Seoul (KR); **Seok-Won Bae**, Seoul (KR); **Jun-Won Bae**, Seoul (KR); **Bong-Uk Lim**, Seoul (KR)

(73) Assignee: **Samsung Electronics Co., Ltd.**,  
Kyunggi-do (KR)

(\*\*) Term: **14 Years**

(21) Appl. No.: **29/261,091**

(22) Filed: **Jun. 7, 2006**

(51) **LOC (8) Cl.** ..... **18-02**

(52) **U.S. Cl.** ..... **D18/50**

(58) **Field of Classification Search** ..... D18/14,  
D18/19, 36-39, 53-54, 54.1, 55, 4.5; D14/420-425,  
D14/462-470, 336, 388; 400/613, 613.1-613.4,  
400/690.1-690.4, 691-694

See application file for complete search history.

(56) **References Cited**

**U.S. PATENT DOCUMENTS**

- 4,810,087 A \* 3/1989 Tachibana et al. .... D18/36
- D333,304 S \* 2/1993 Taniuchi et al. .... D14/467
- D334,567 S \* 4/1993 Someya et al. .... D14/462
- D354,949 S \* 1/1995 Yao ..... D14/337
- D359,952 S \* 7/1995 Cox et al. .... D18/4.5
- D360,196 S \* 7/1995 Cox et al. .... D18/4.5
- D389,813 S \* 1/1998 Itoh ..... D18/4.5
- D395,039 S \* 6/1998 Murphy et al. .... D14/342
- D424,098 S \* 5/2000 Kim ..... D18/4.5
- D428,863 S \* 8/2000 Rahemtulla et al. .... D14/337
- 6,172,360 B1 \* 1/2001 Khovaylo et al. .... 250/235
- D446,516 S \* 8/2001 Tadayan et al. .... D14/336
- D461,842 S \* 8/2002 Hattori ..... D18/19
- D467,765 S \* 12/2002 Yeh et al. .... D7/337
- D474,228 S \* 5/2003 Katou et al. .... D18/4.3

- D484,532 S \* 12/2003 Seo et al. .... D18/50
- D494,176 S \* 8/2004 Porter et al. .... D14/388
- D508,519 S \* 8/2005 Kuramochi et al. .... D18/4.4
- D512,065 S \* 11/2005 Ko et al. .... D14/420
- D527,760 S \* 9/2006 Ono ..... D18/4.5

**OTHER PUBLICATIONS**

U.S. Appl. No. 29/261,037, Applicant: Yun-Gi Hong, et al., filed Jun. 6, 2006 entitled PRINTER.

U.S. Appl. No. 29/261,041, Applicant: Yun-Gi Hong, et al., filed Jun. 6, 2006 entitled PRINTER.

U.S. Appl. NO. 29/261,036, Applicant: Yun-Gi Hong, et al., filed Jun. 6, 2006 entitled PRINTER.

U.S. Appl. No. 29/261,030, Applicant: Yun-Gi Hong, et al., filed Jun. 6, 2006 entitled PRINTER.

\* cited by examiner

*Primary Examiner*—Cathy Anne MacCormac

(74) *Attorney, Agent, or Firm*—Flynn, Thiel, Boutell & Tanis, P.C.

(57) **CLAIM**

The ornamental design for a portable mobile printer, as shown and described.

**DESCRIPTION**

FIG. 1 is a top front perspective view of a portable mobile printer showing our new design;

FIG. 2 is a front elevational view thereof;

FIG. 3 is a rear elevational view thereof;

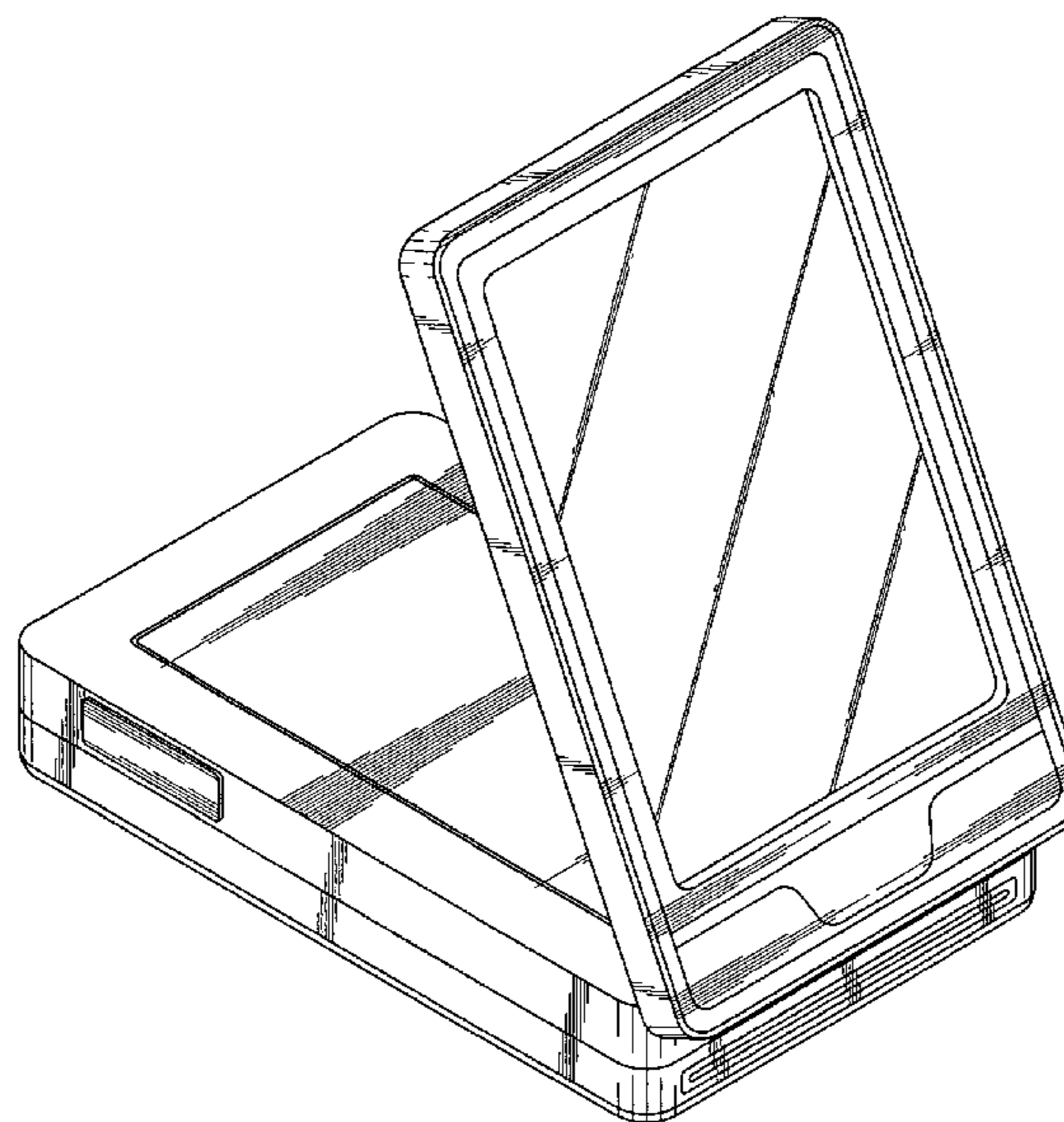
FIG. 4 is a left side elevational view thereof;

FIG. 5 is a right side elevational view thereof;

FIG. 6 is a top plan view thereof; and,

FIG. 7 is a bottom plan view thereof.

**1 Claim, 5 Drawing Sheets**



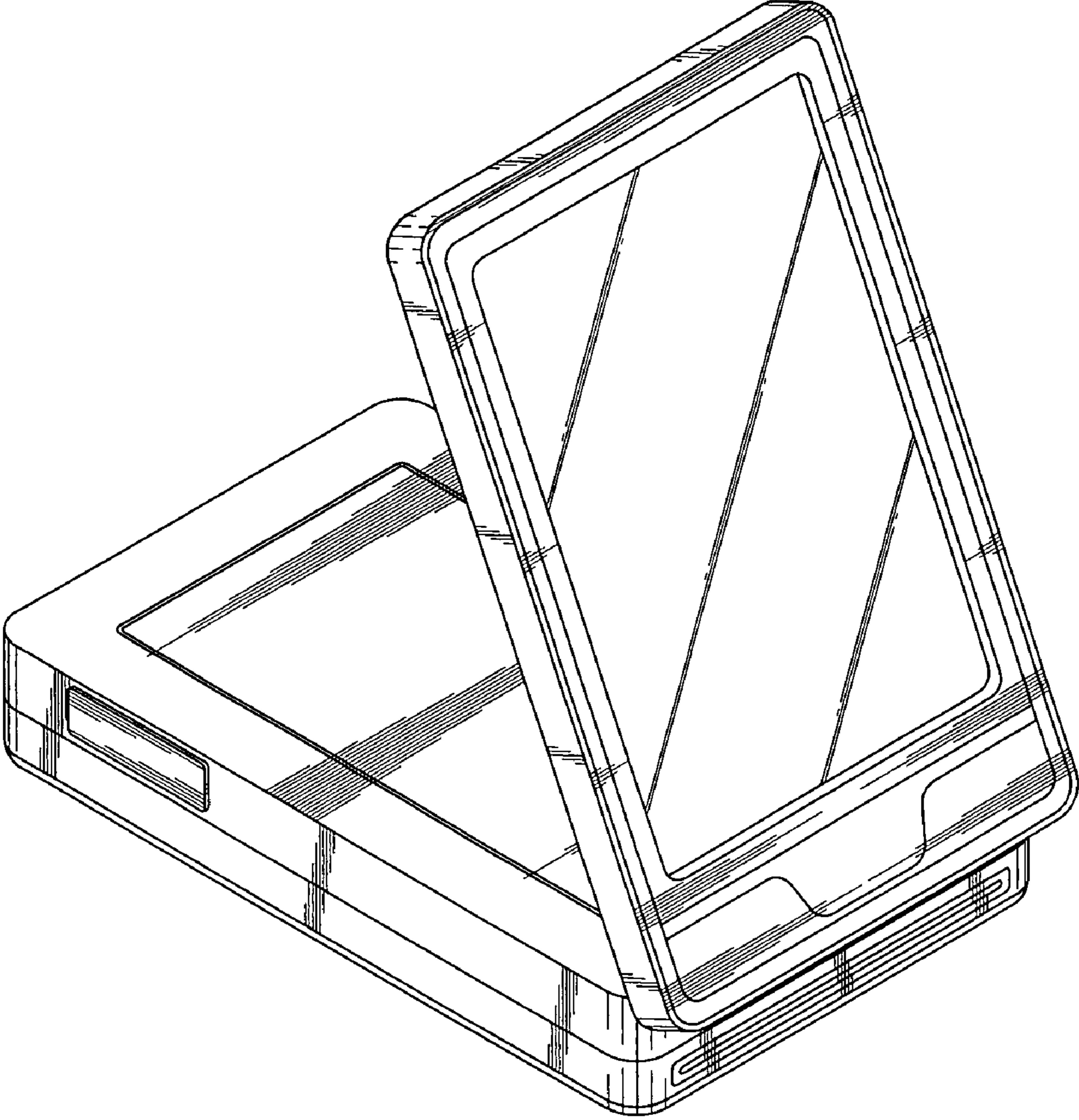


FIG. 1

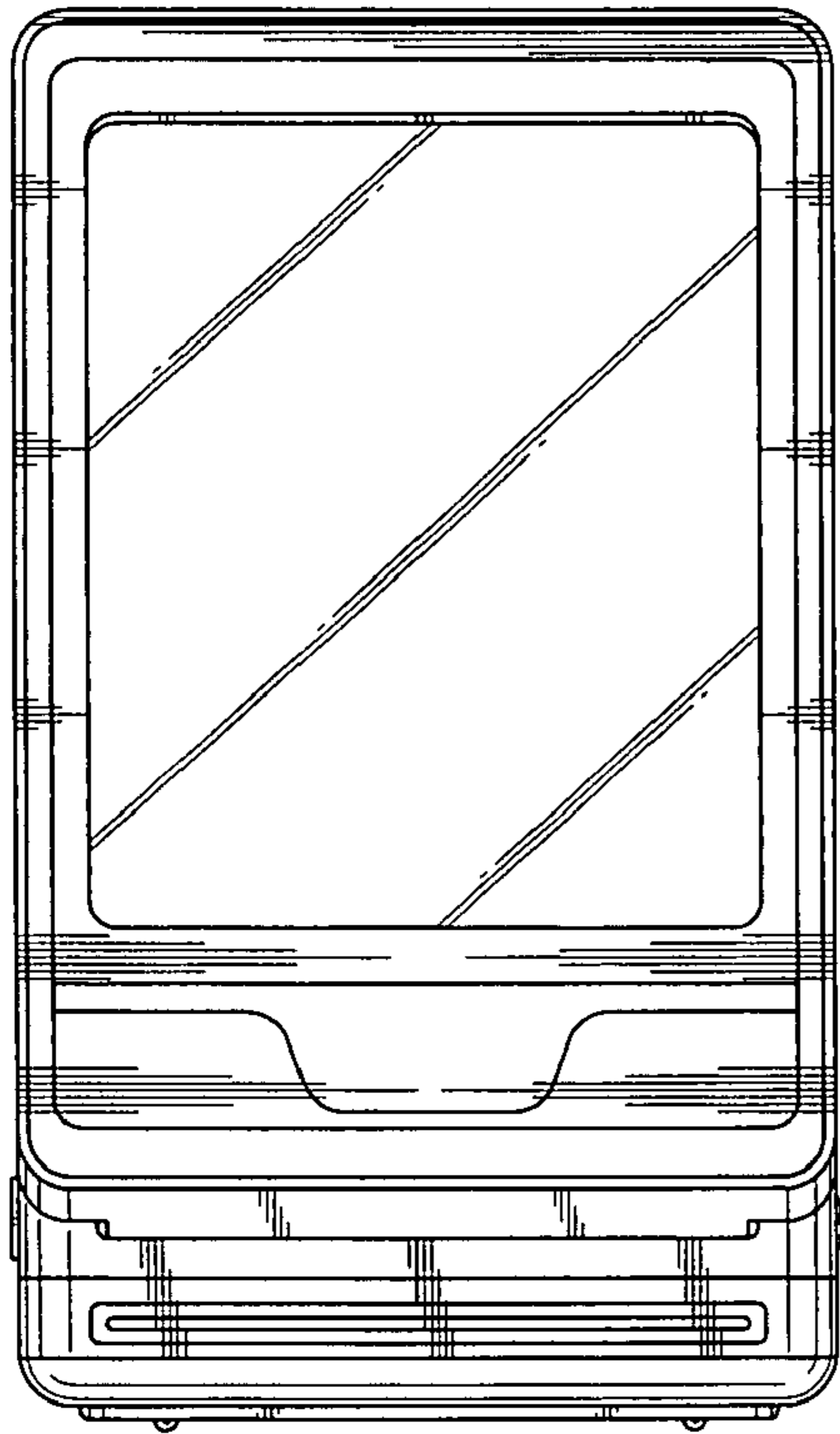


FIG. 2

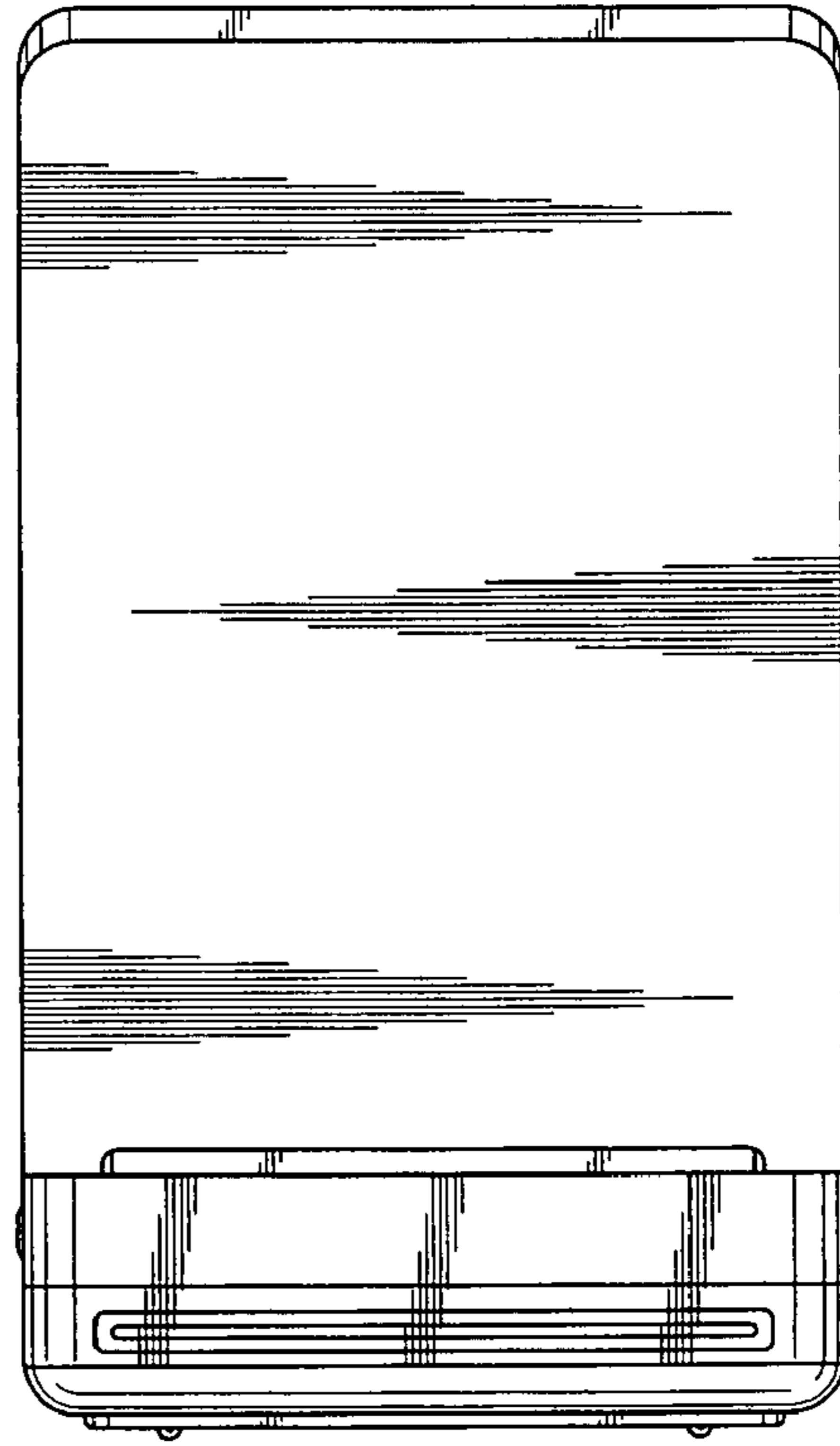


FIG. 3

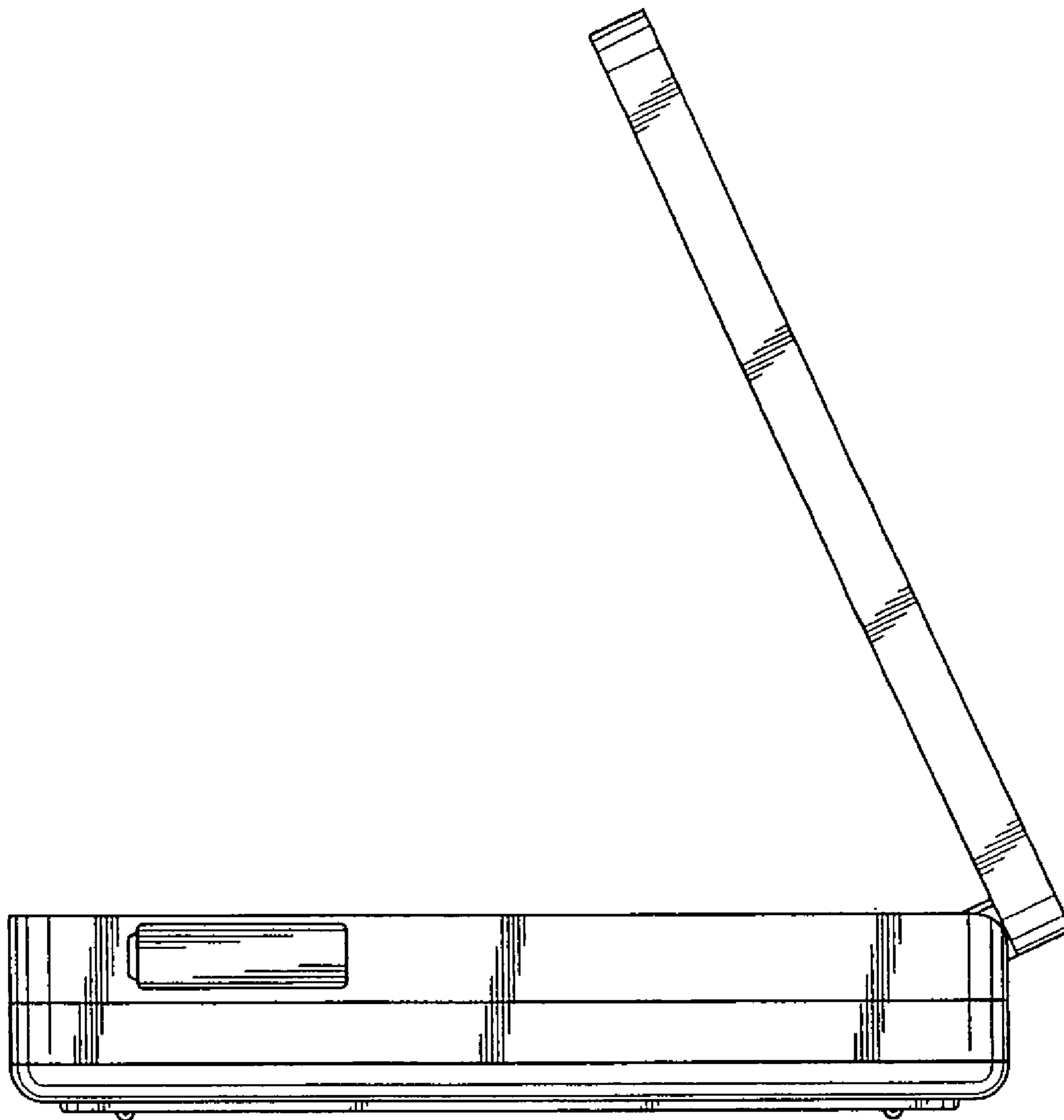


FIG. 4

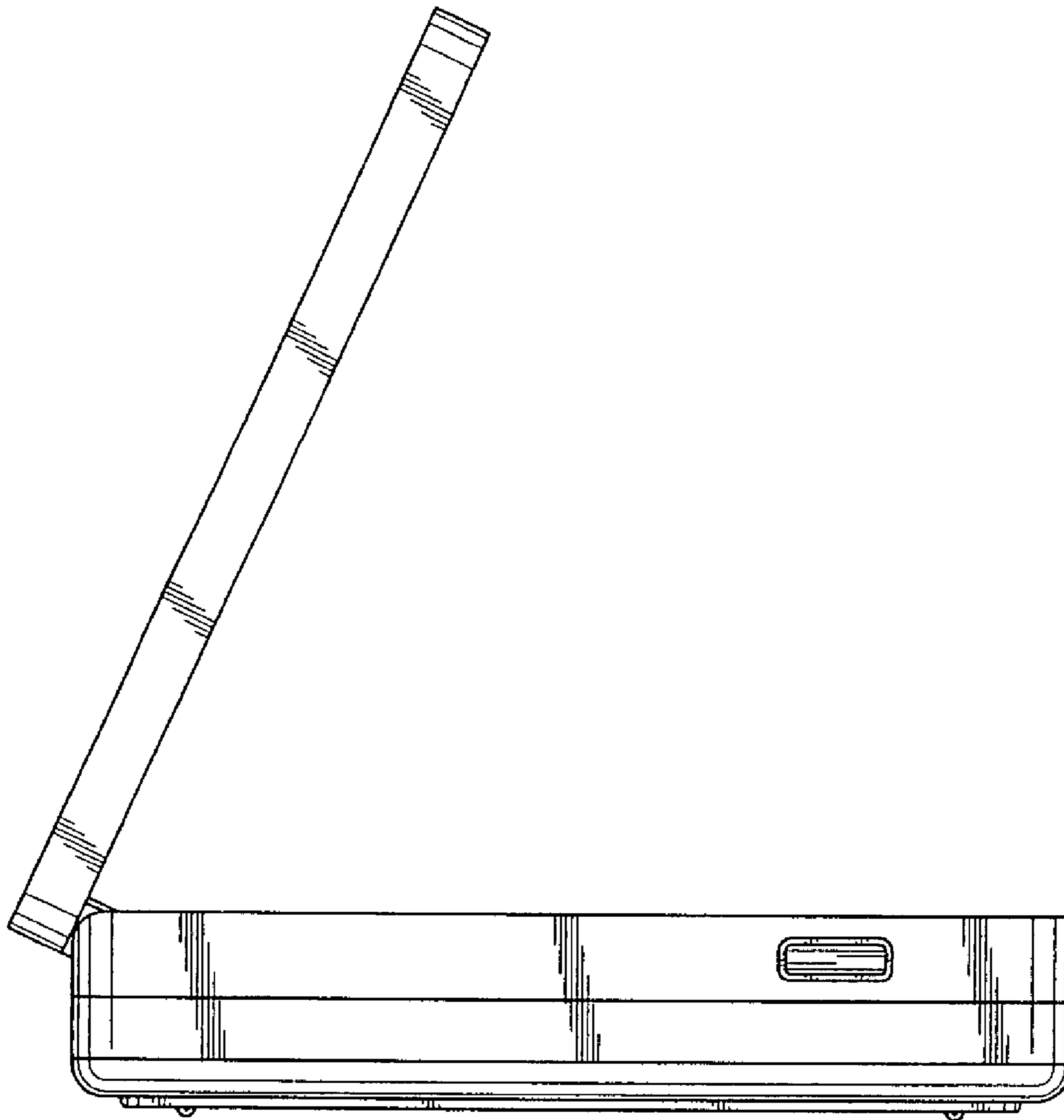


FIG. 5

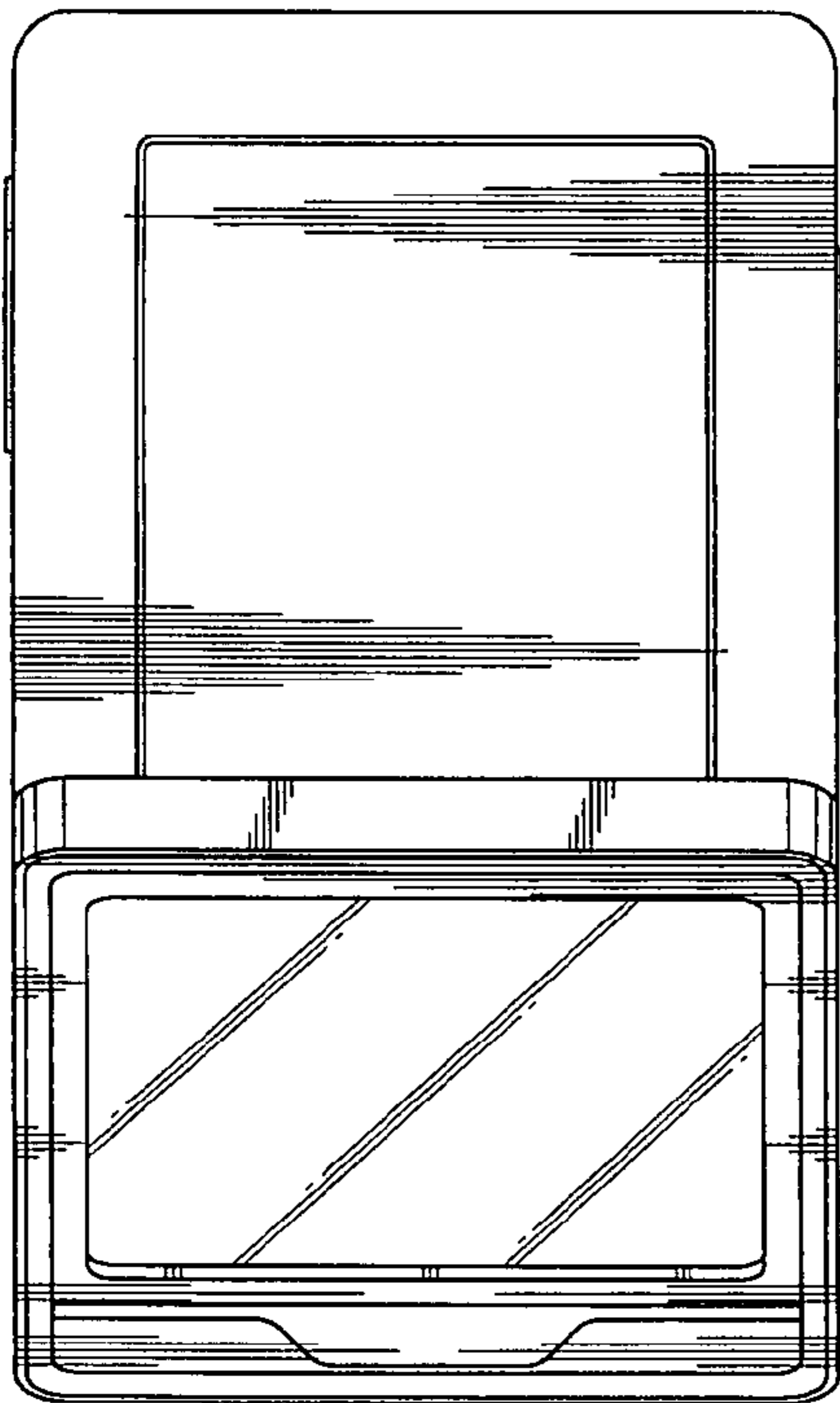


FIG. 6

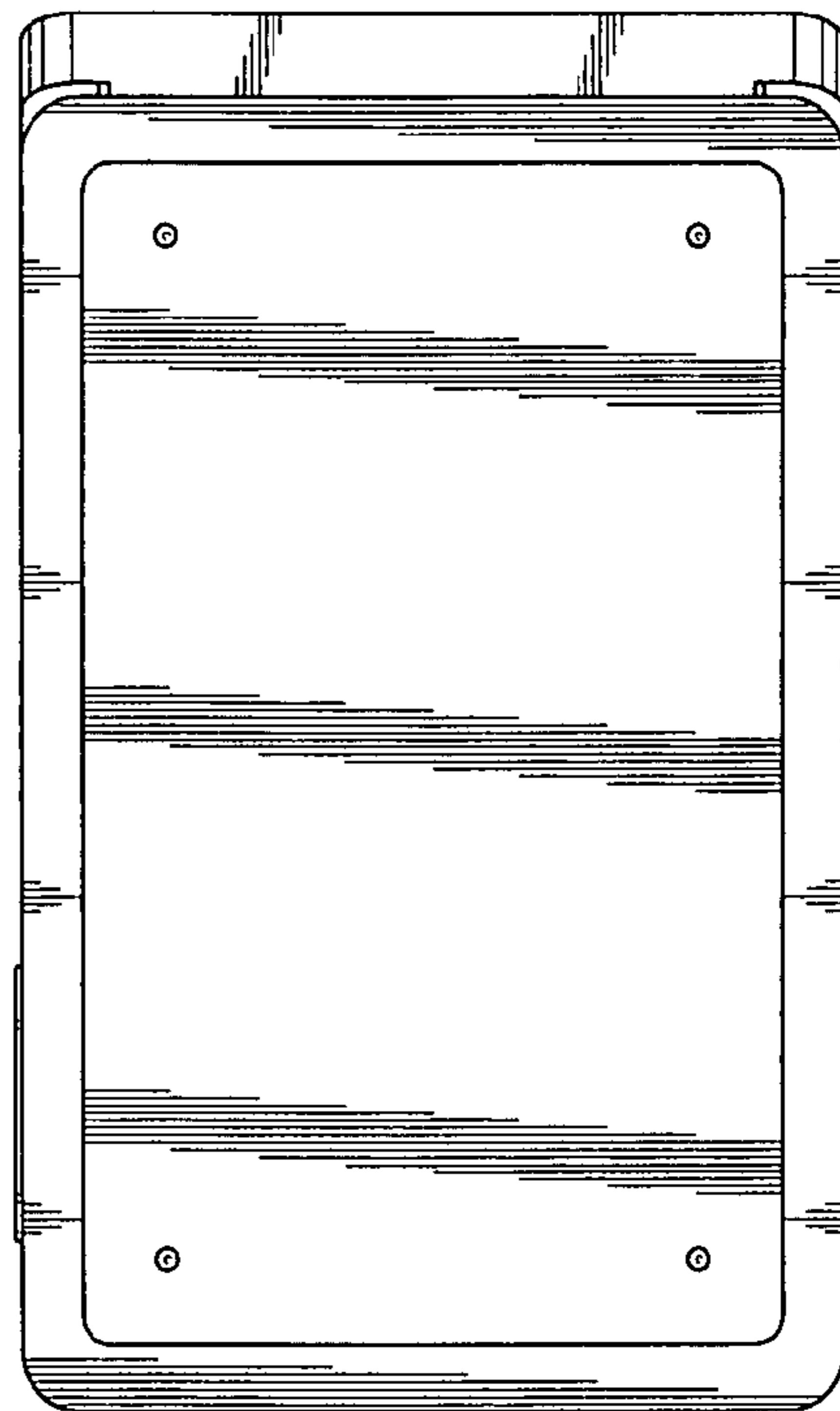


FIG. 7