



US00D558261S

(12) **United States Design Patent** (10) **Patent No.:** **US D558,261 S**
Hong et al. (45) **Date of Patent:** **** Dec. 25, 2007**

(54) **PRINTER**

D461,842 S * 8/2002 Hattori D18/19
D462,378 S * 9/2002 Hattori D18/19
D537,423 S * 2/2007 Voege et al. D14/126

(75) Inventors: **Yun-Gi Hong**, Seoul (KR); **Seok-Won Bae**, Seoul (KR); **Jun-Won Bae**, Seoul (KR); **Bong-Uk Lim**, Seoul (KR)

OTHER PUBLICATIONS

(73) Assignee: **Samsung Electronics Co., Ltd.**, Kyunggi-do (KR)

U.S. Appl. No. 29/261,037, Applicant: Yun-Gi Hong, et al., filed Jun. 6, 2006 entitled PRINTER.
U.S. Appl. No. 29/261,041, Applicant: Yun-Gi Hong, et al., filed Jun. 6, 2006 entitled PRINTER.
U.S. Appl. No. 29/261,036, Applicant: Yun-Gi Hong, et al., filed Jun. 6, 2006 entitled PRINTER.
U.S. Appl. No. 29/261,091, Applicant: Yun-Gi Hong, et al., filed Jun. 7, 2006 entitled Portable Mobile Printer.

(**) Term: **14 Years**

(21) Appl. No.: **29/261,030**

(22) Filed: **Jun. 6, 2006**

* cited by examiner

(51) **LOC (8) Cl.** **18-02**

Primary Examiner—Cathy Anne MacCormac

(52) **U.S. Cl.** **D18/50**

(74) *Attorney, Agent, or Firm*—Flynn, Thiel, Boutell & Tanis, P.C.

(58) **Field of Classification Search** D18/14,
D18/19, 36–39, 53–54, 54.1, 55, 4.5; D14/420–425,
D14/462–470, 336, 388; 400/613, 613.1–613.4,
400/690.1–690.4, 691–694
See application file for complete search history.

(57) **CLAIM**

The ornamental design for a printer, as shown and described.

(56) **References Cited**

DESCRIPTION

U.S. PATENT DOCUMENTS

4,611,246 A * 9/1986 Nihei D18/50
4,828,416 A * 5/1989 Pensavecchia et al. 400/691
D316,707 S * 5/1991 Allgeier D14/420
D325,729 S * 4/1992 Forsythe et al. D14/420
5,111,216 A * 5/1992 Richardson et al. 347/218
5,236,265 A * 8/1993 Saito et al. 400/88
D351,833 S * 10/1994 Takami et al. D14/126
D356,077 S * 3/1995 Harada et al. D14/126
D389,462 S * 1/1998 Johns et al. D14/375
D421,747 S * 3/2000 Takizawa D14/375
D446,516 S * 8/2001 Tadayon et al. D14/336

FIG. 1 is a top front perspective view of a printer showing our new design;

FIG. 2 is a front elevational view thereof;

FIG. 3 is a rear elevational view thereof;

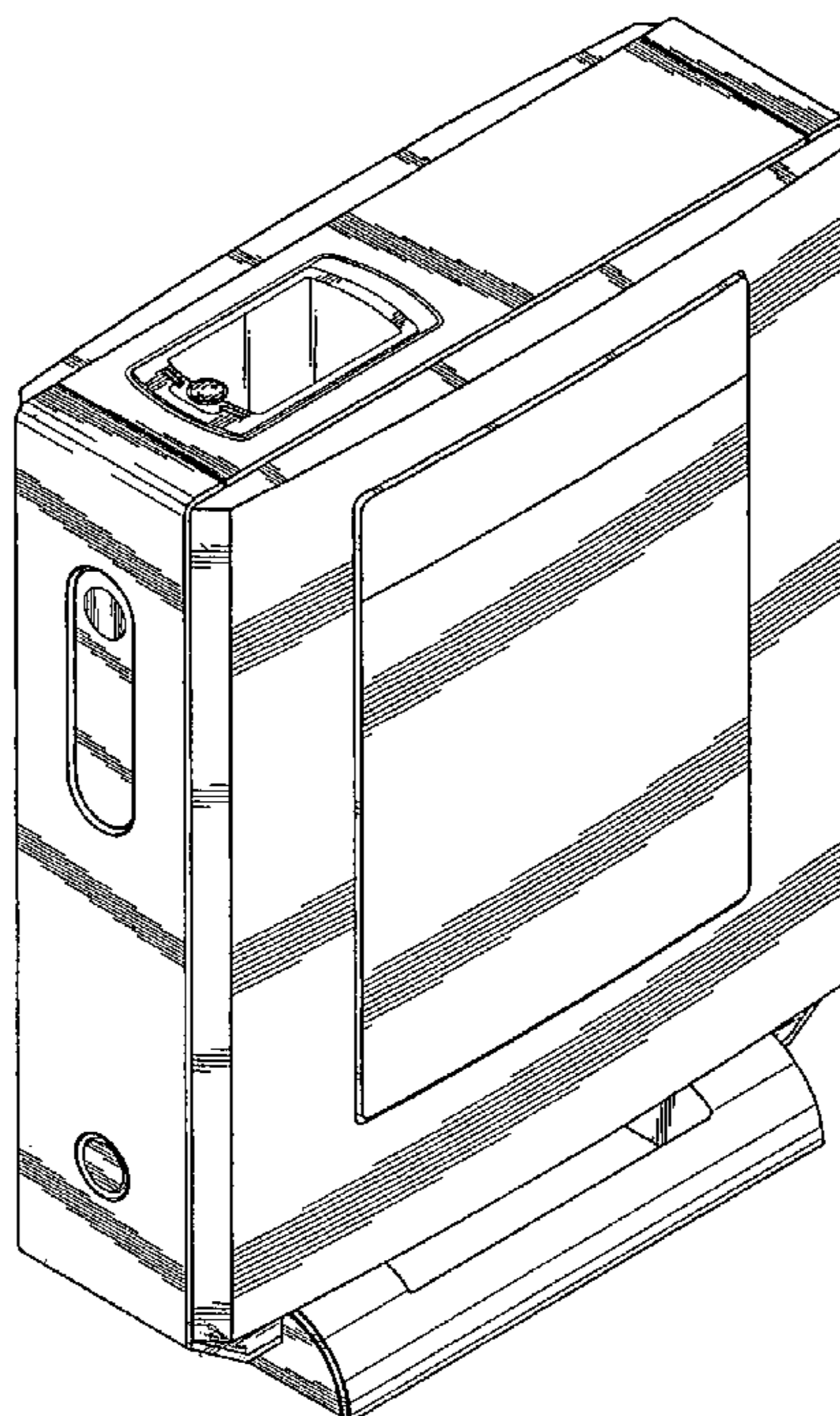
FIG. 4 is a left side elevational view thereof;

FIG. 5 is a right side elevational view thereof;

FIG. 6 is a top plan view thereof; and,

FIG. 7 is a bottom plan view thereof.

1 Claim, 4 Drawing Sheets



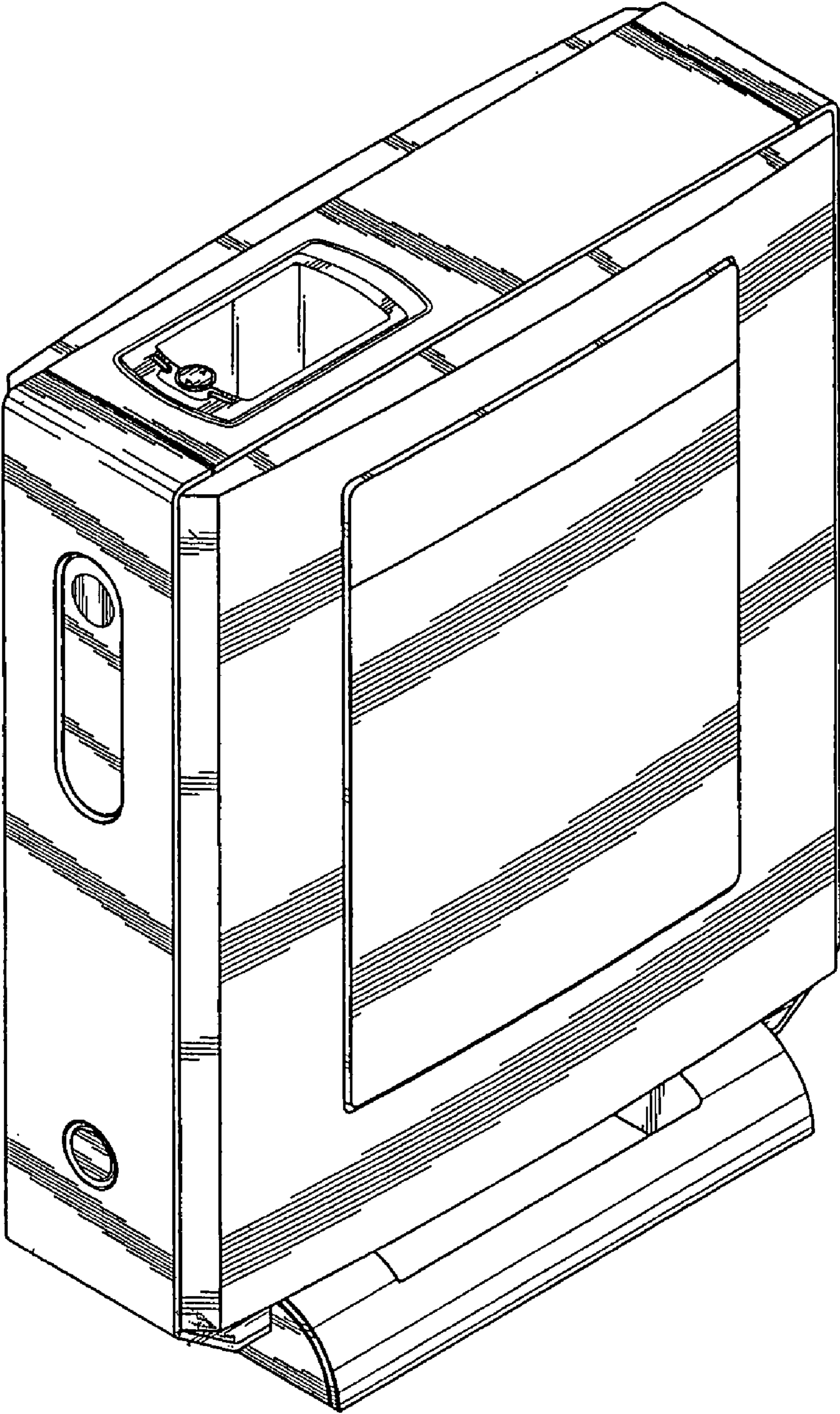


FIG. 1

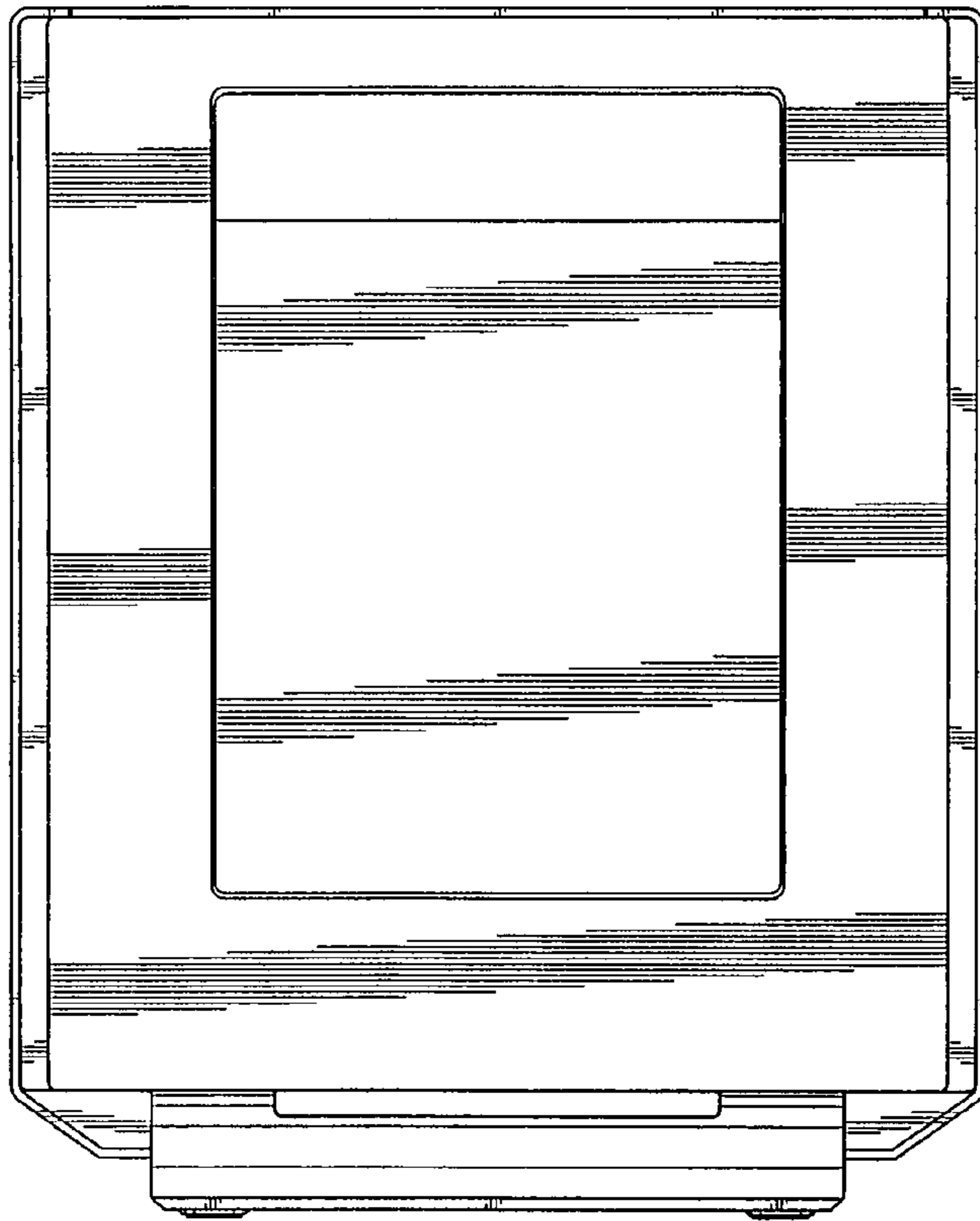


FIG. 2

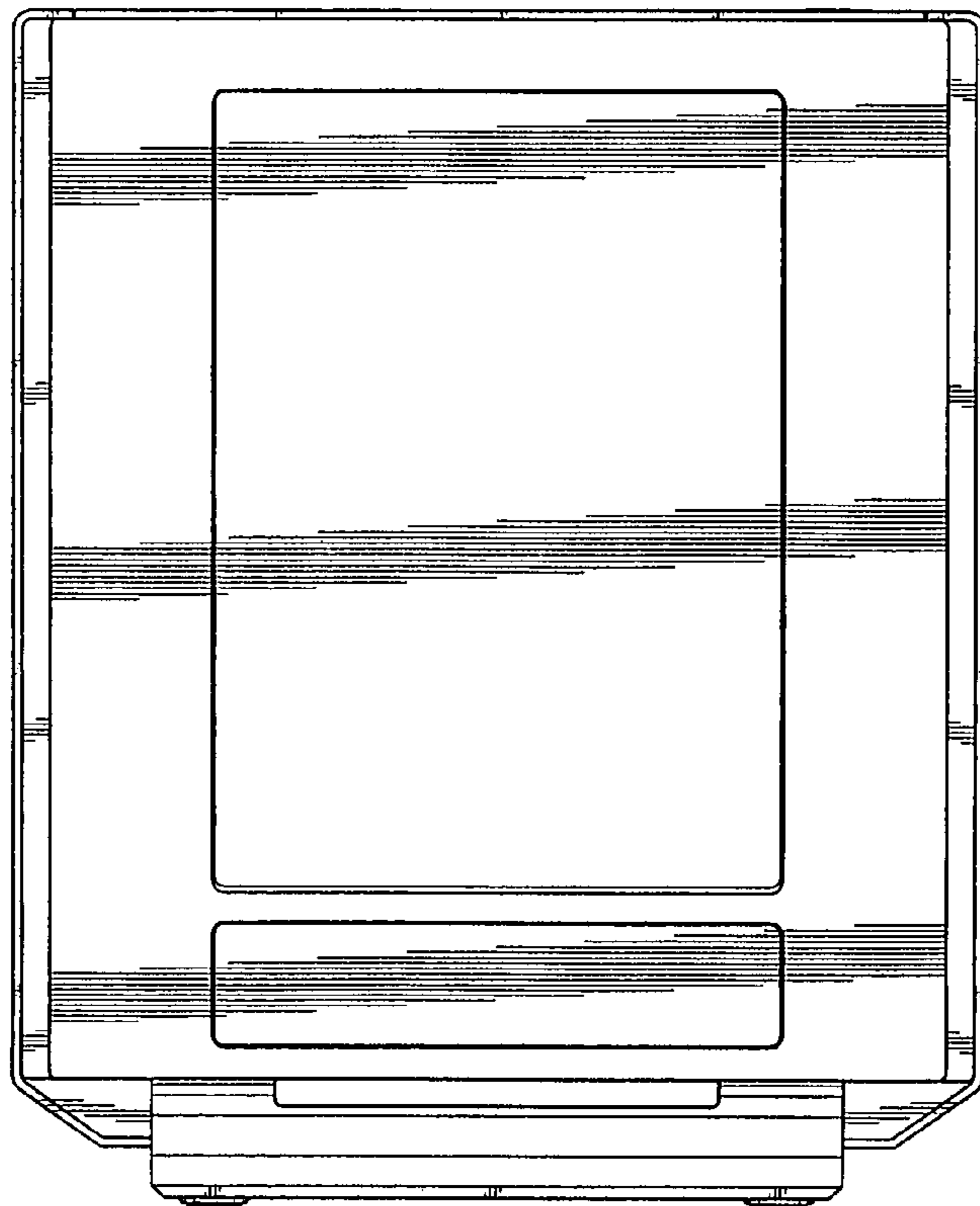


FIG. 3

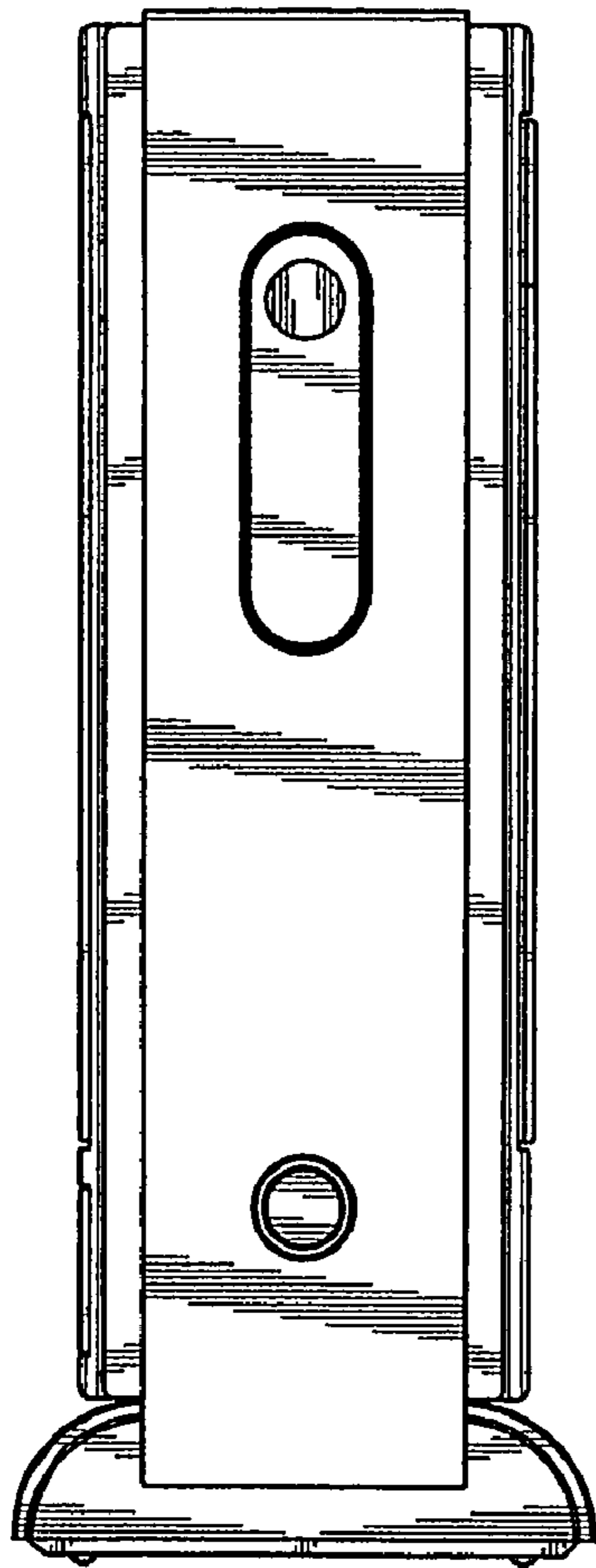


FIG. 4

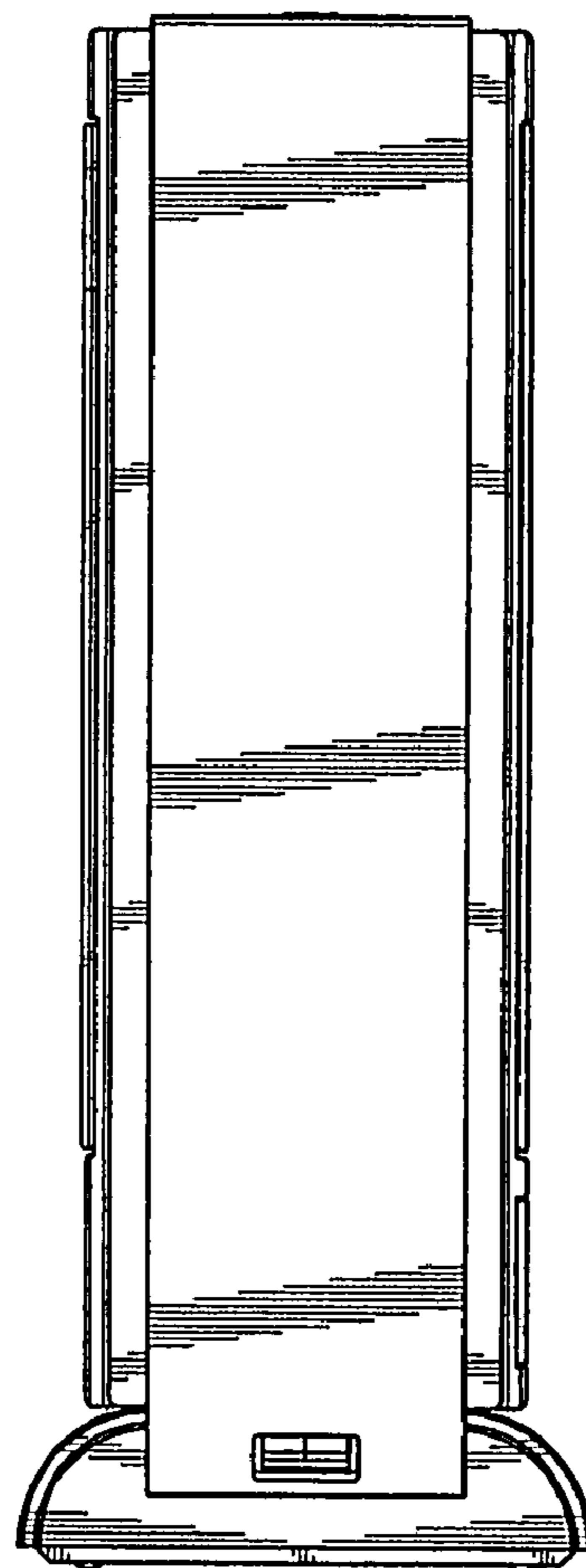


FIG. 5

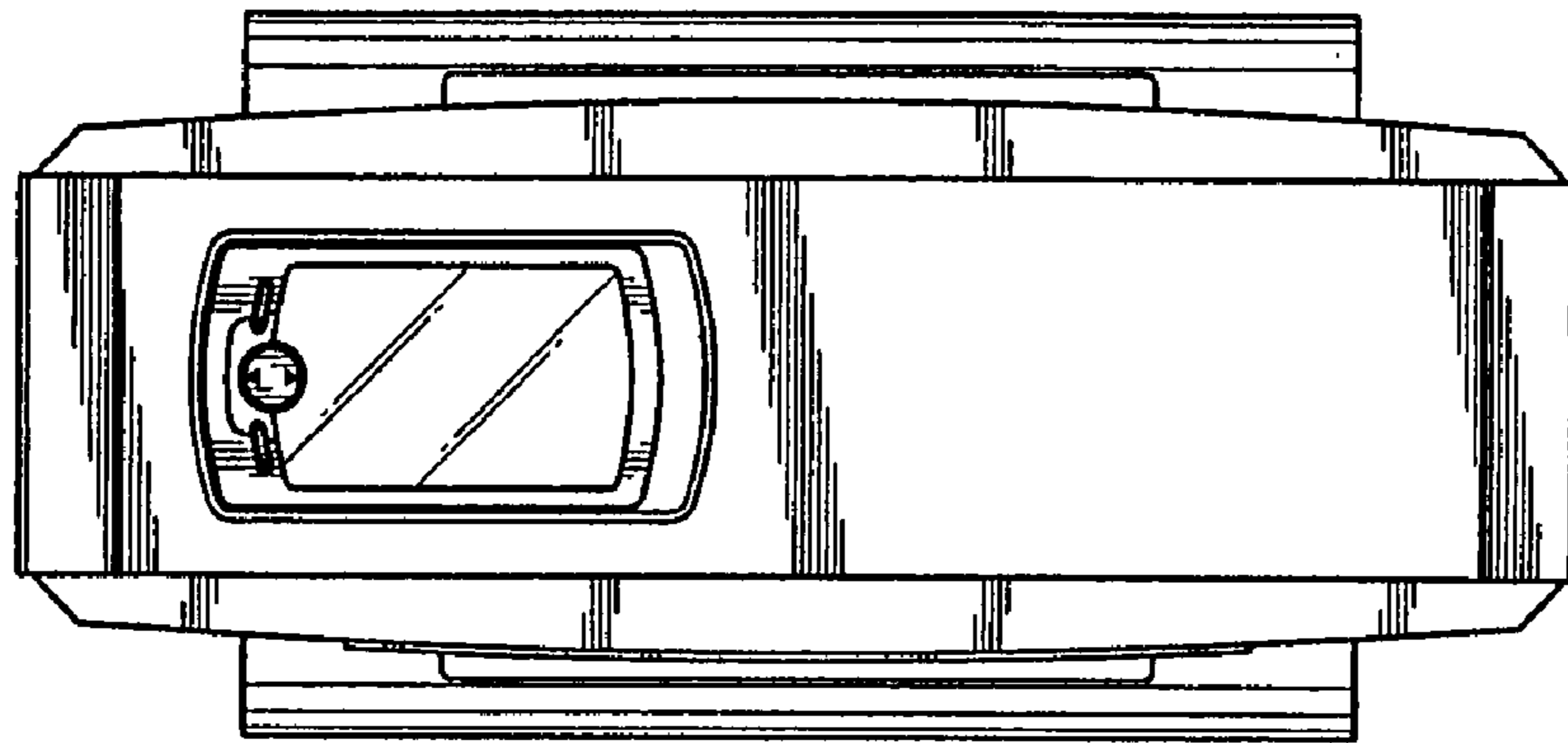


FIG. 6

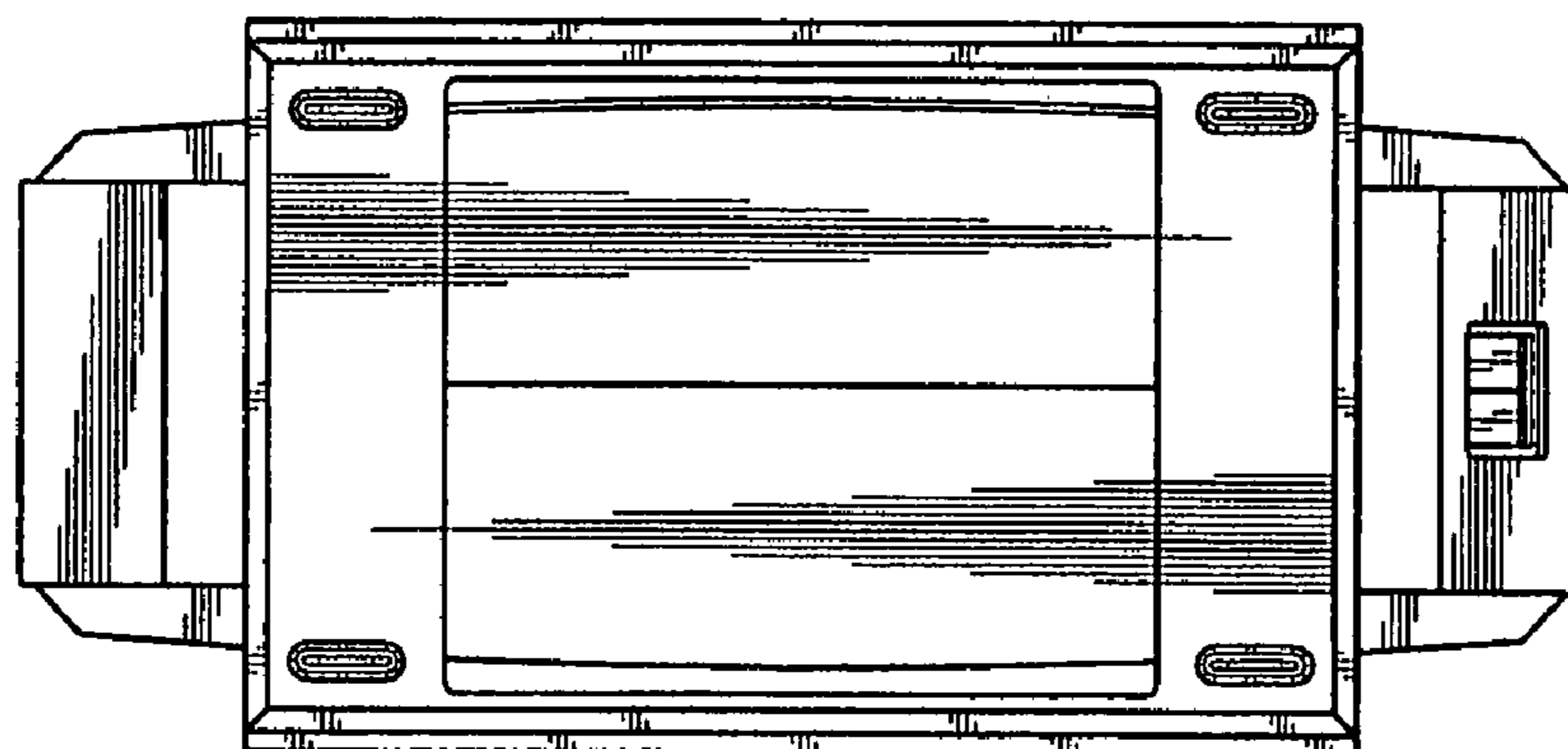


FIG. 7