



US00D558259S

(12) **United States Design Patent**
Kohno et al.

(10) **Patent No.:** **US D558,259 S**

(45) **Date of Patent:** **** Dec. 25, 2007**

(54) **FINISHER FOR A PRINTER**

(75) Inventors: **Masateru Kohno**, Kanagawa (JP);
Shigeru Horiguchi, Kanagawa (JP);
Makoto Kurata, Kanagawa (JP)

(73) Assignee: **Ricoh Company, Ltd.**, Tokyo (JP)

(**) Term: **14 Years**

(21) Appl. No.: **29/259,713**

(22) Filed: **May 16, 2006**

(30) **Foreign Application Priority Data**

Nov. 16, 2005 (JP) 2005-033809

(51) **LOC (8) Cl.** **18-99**

(52) **U.S. Cl.** **D18/47**

(58) **Field of Classification Search** D18/36-41,
D18/44-55; 222/DIG. 1; 271/3.14, 8.1,
271/226, 278; 355/97, 99; 358/1.1; 399/1-7,
399/16, 75, 81, 107, 130, 151, 361, 365,
399/367, 381-383, 388

See application file for complete search history.

(56) **References Cited**

U.S. PATENT DOCUMENTS

D423,041 S * 4/2000 Takeuchi D18/46
D435,858 S * 1/2001 Hatanaka et al. D18/39

6,226,471 B1 * 5/2001 Tsuzuki 399/75
D450,753 S * 11/2001 Nomura et al. D18/47
D451,128 S * 11/2001 Ortiz et al. D18/47
2005/0244186 A1 * 11/2005 Rose et al. 399/107

* cited by examiner

Primary Examiner—Robert M. Spear

Assistant Examiner—Garth Rademaker

(74) *Attorney, Agent, or Firm*—Dickstein Shapiro LLP

(57) **CLAIM**

The ornamental design for a finisher for a printer, as shown and described.

DESCRIPTION

FIG. 1 is a front elevation of a finisher for a printer according to the present invention;

FIG. 2 is a rear elevation thereof;

FIG. 3 is a top plan view thereof, shown at an enlarged scale;

FIG. 4 is a bottom plan view thereof;

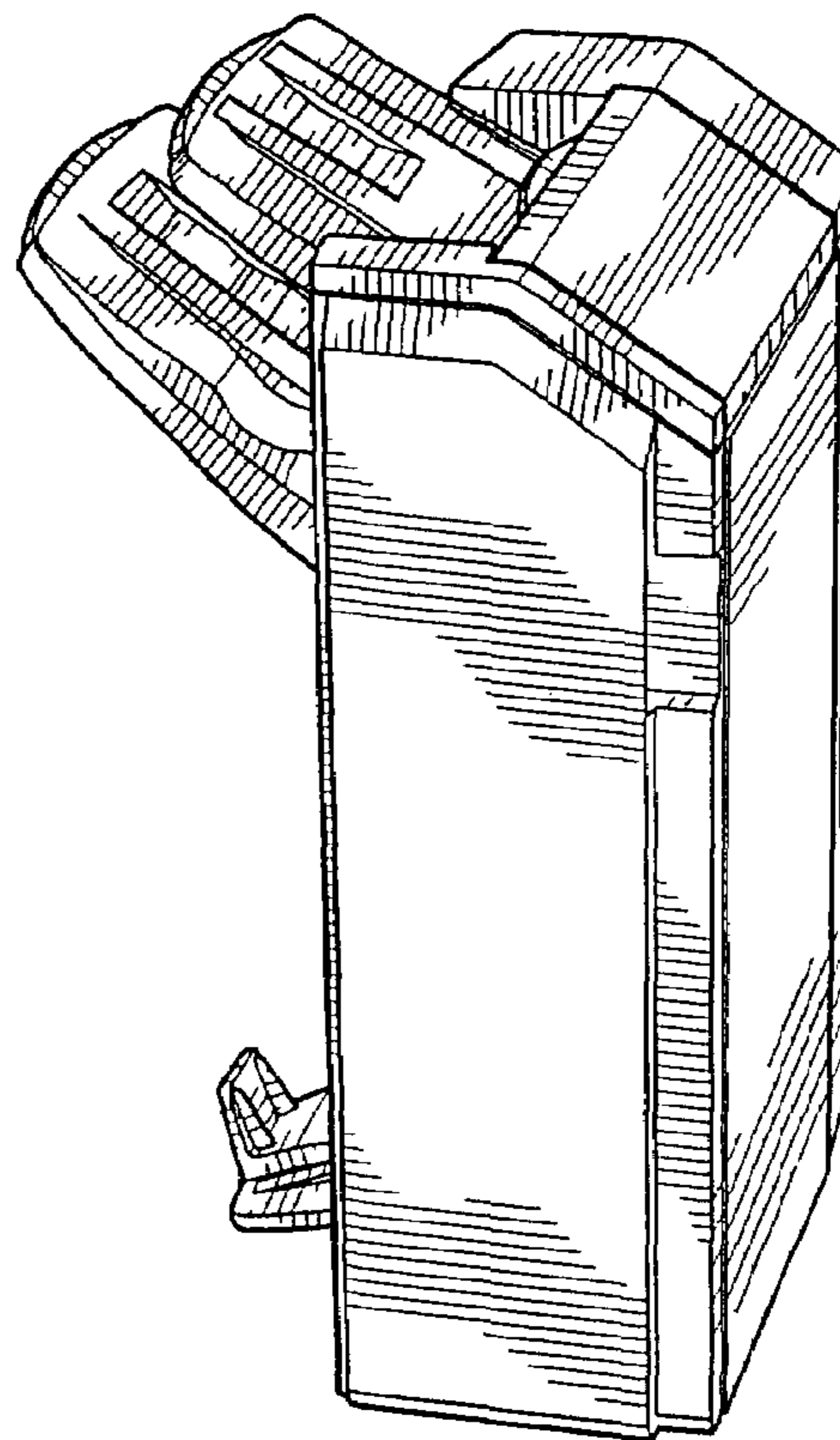
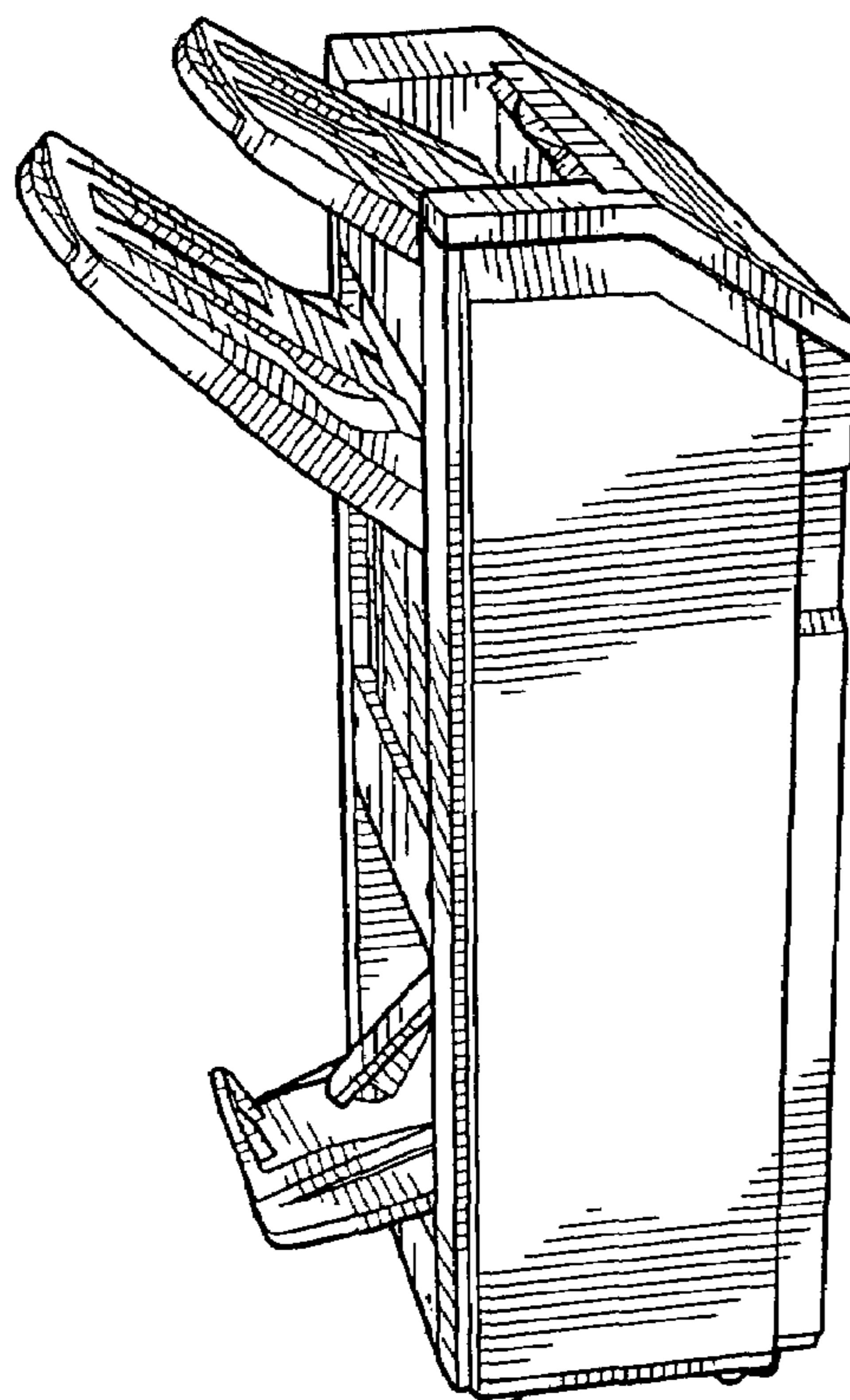
FIG. 5 is a left side elevational view thereof, shown at a reduced scale;

FIG. 6 is a right side elevation thereof;

FIG. 7 is a top, front and left side perspective view thereof; and,

FIG. 8 is a top, front and right side perspective view thereof.

1 Claim, 8 Drawing Sheets



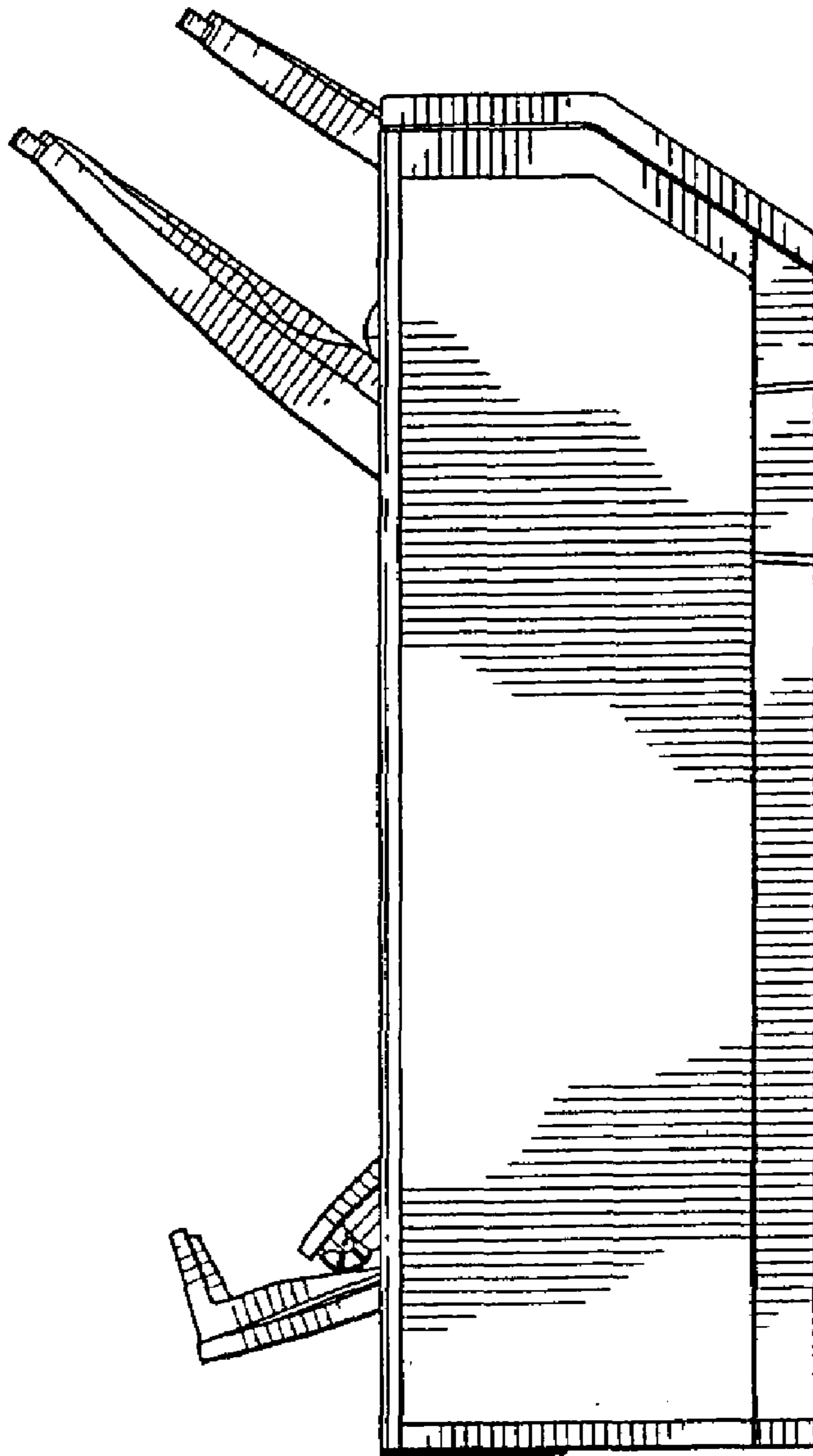


FIG. 1

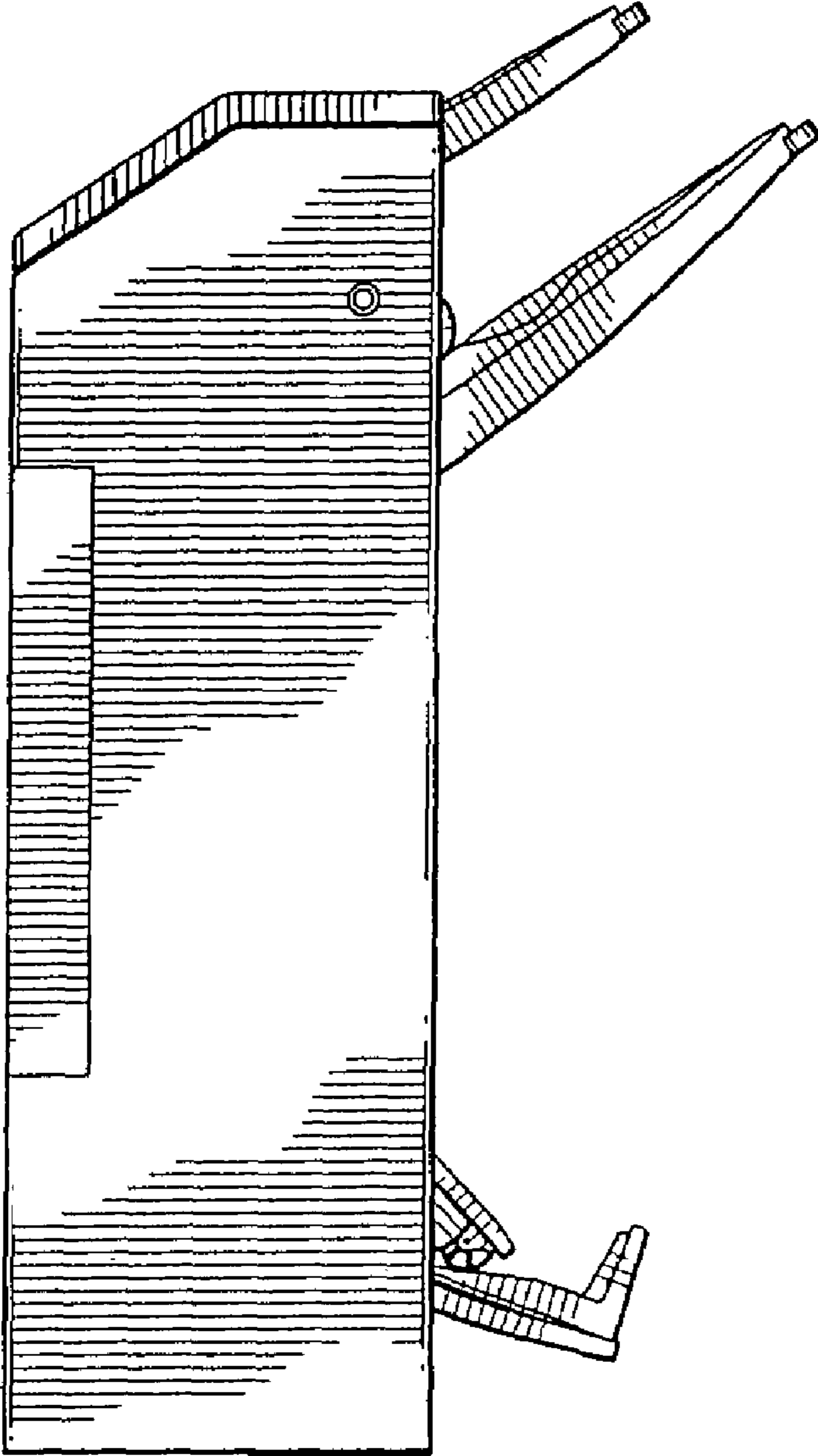


FIG.2

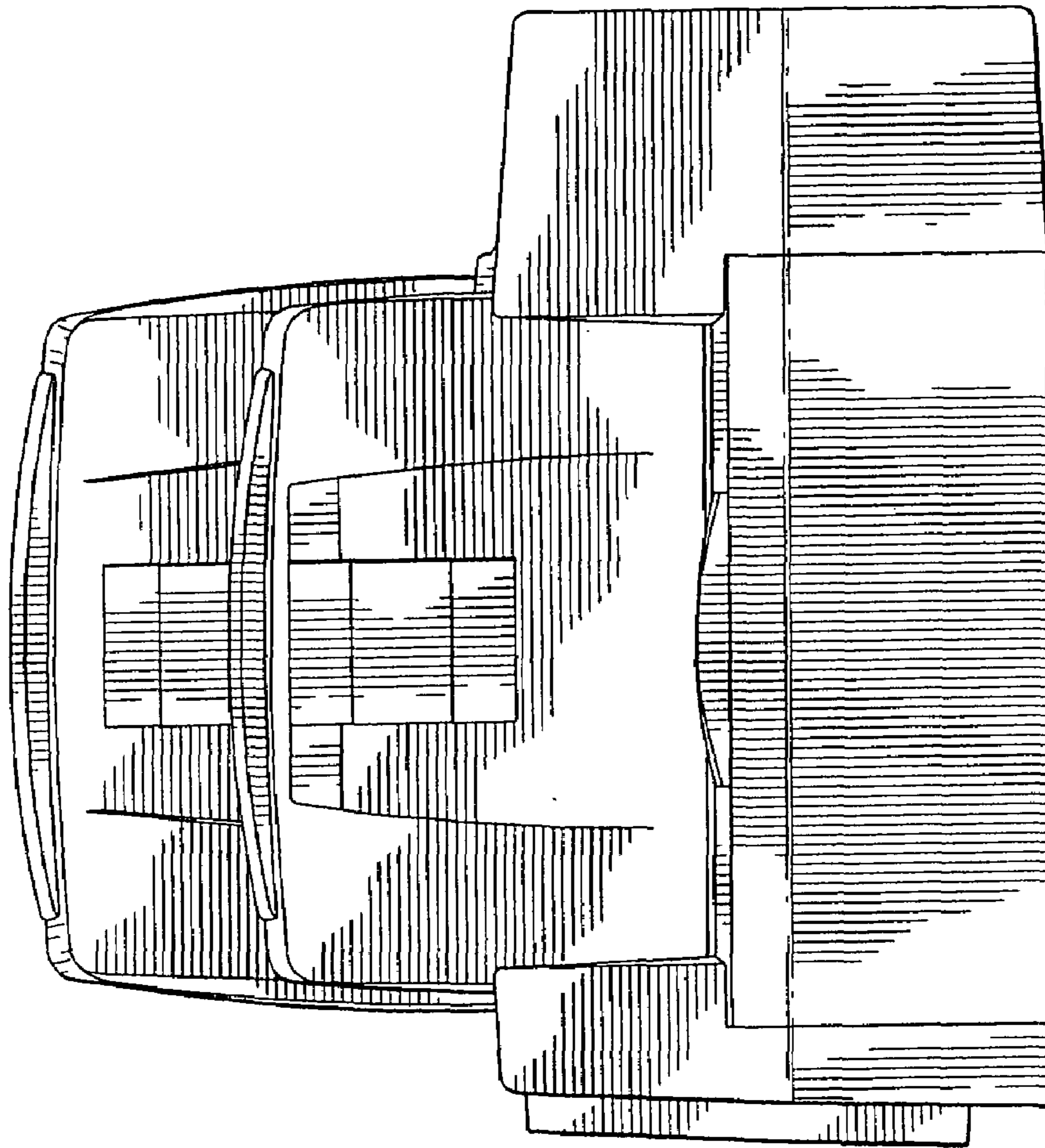


FIG. 3

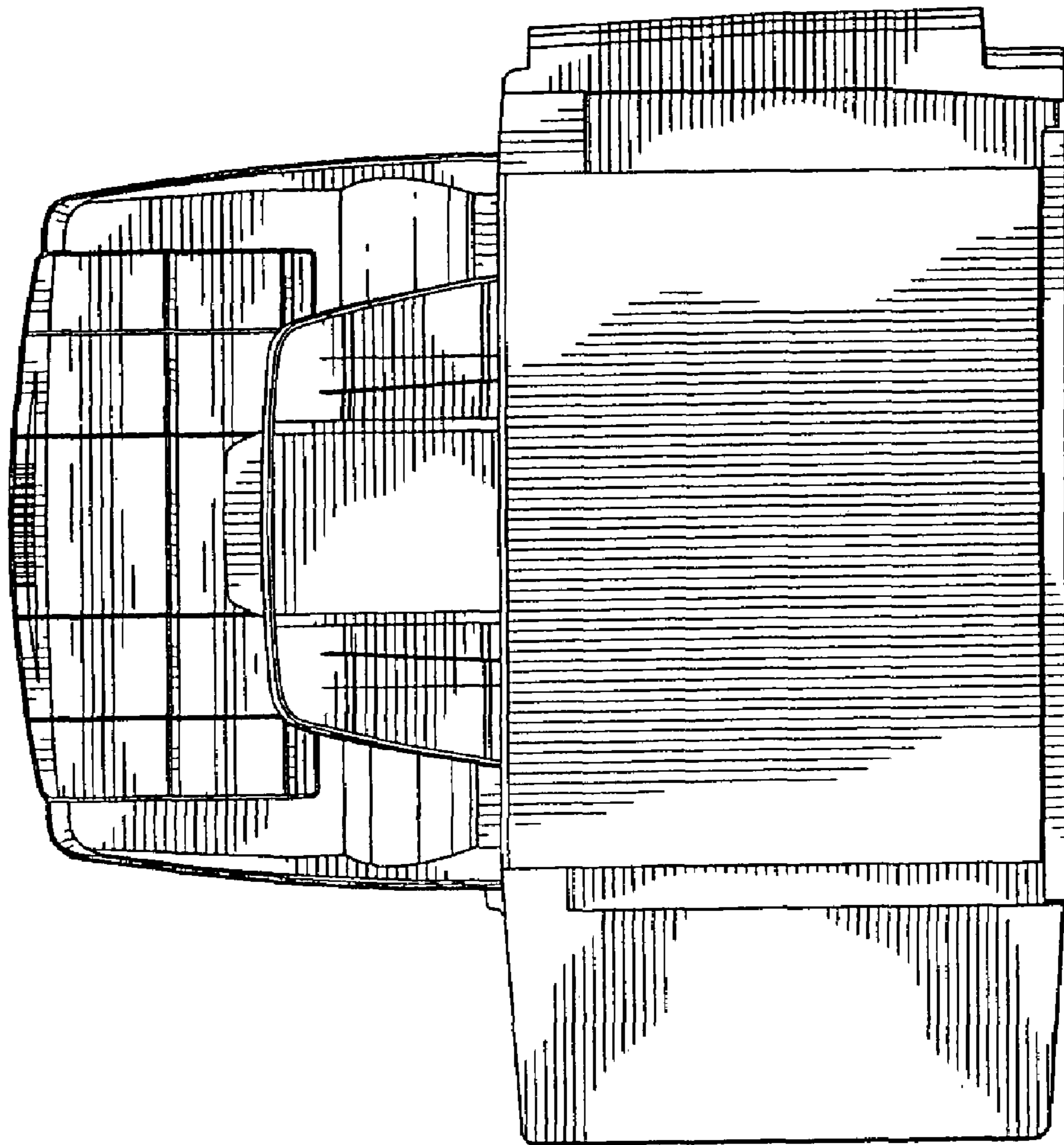


FIG. 4

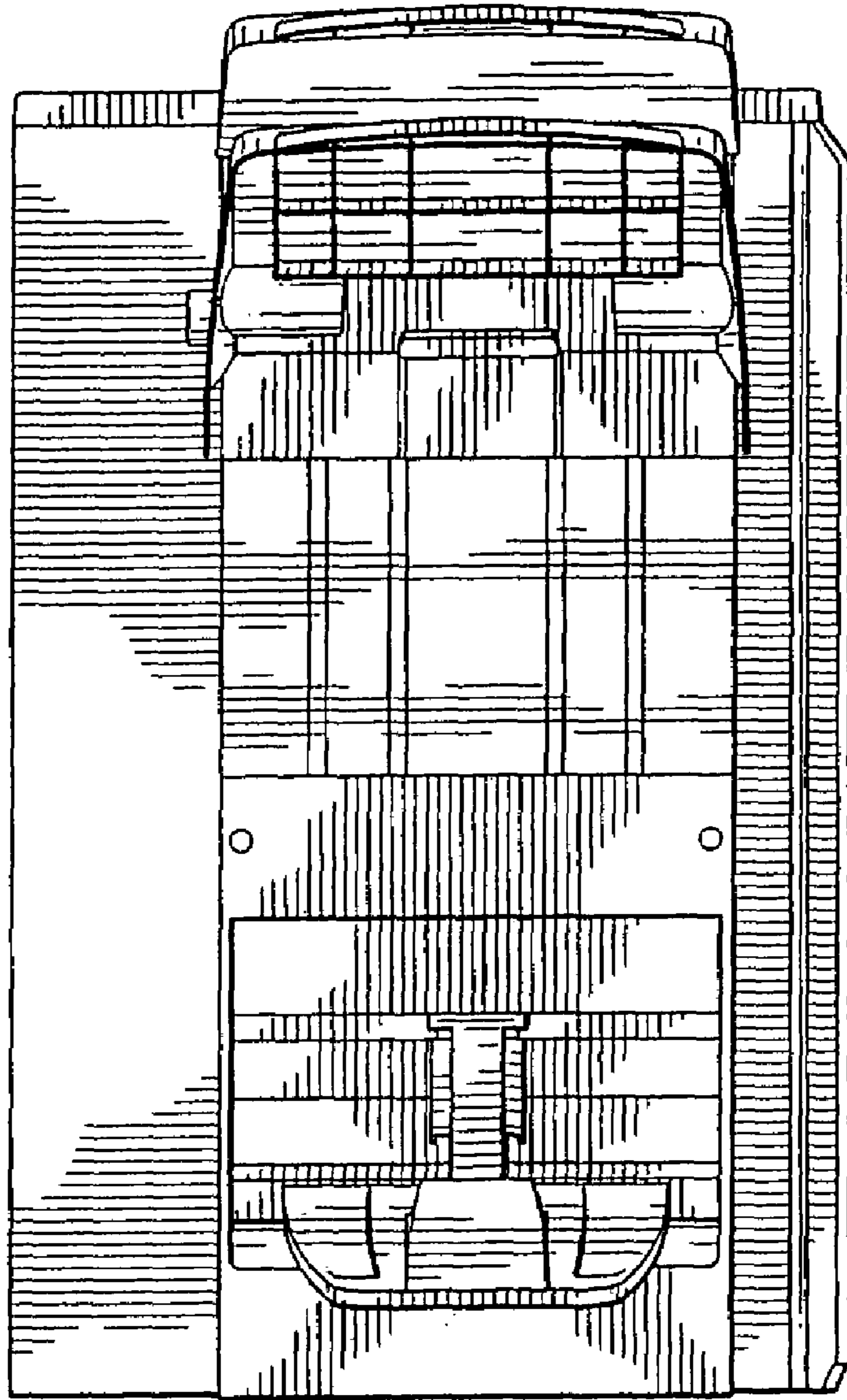


FIG. 5

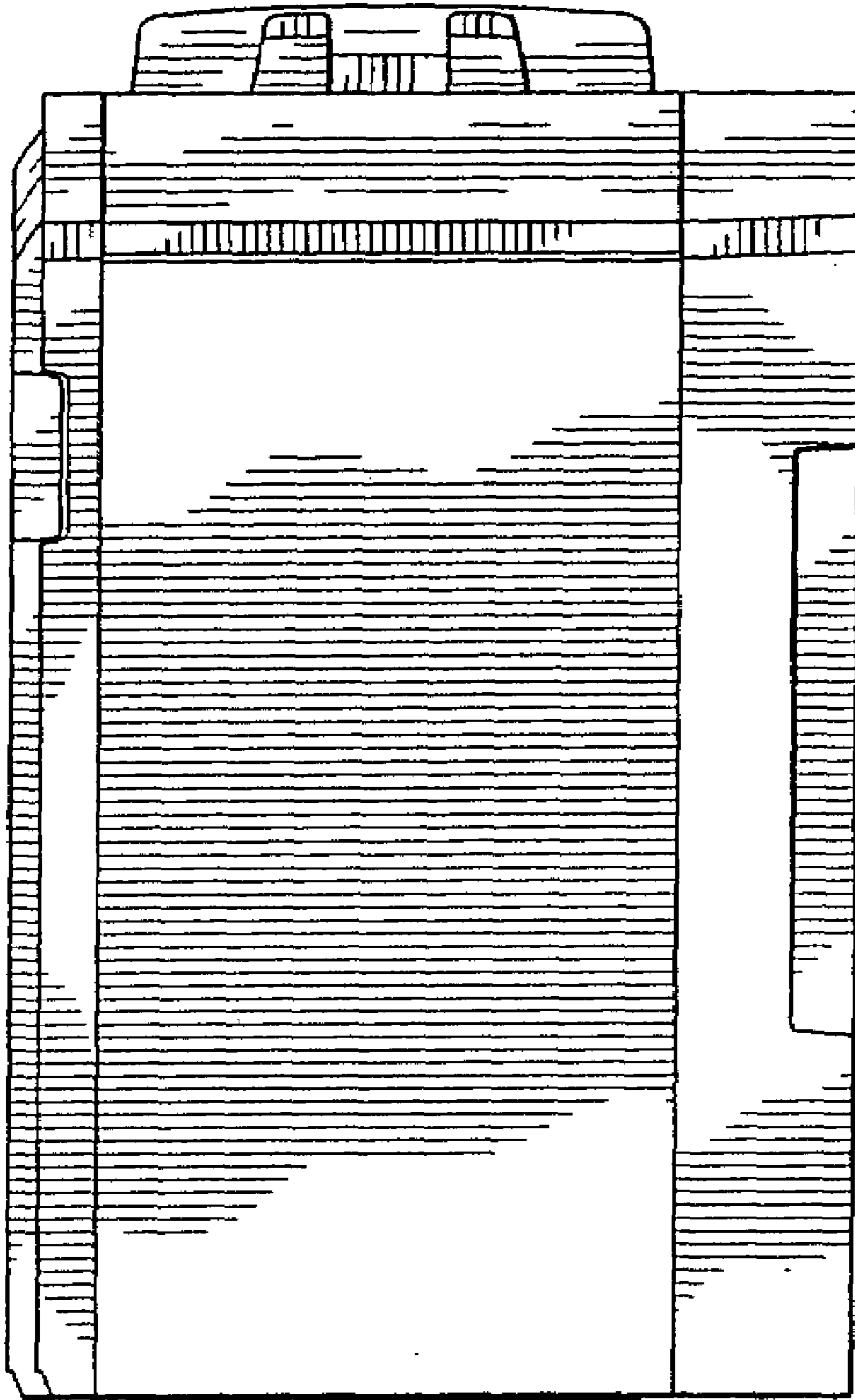


FIG. 6

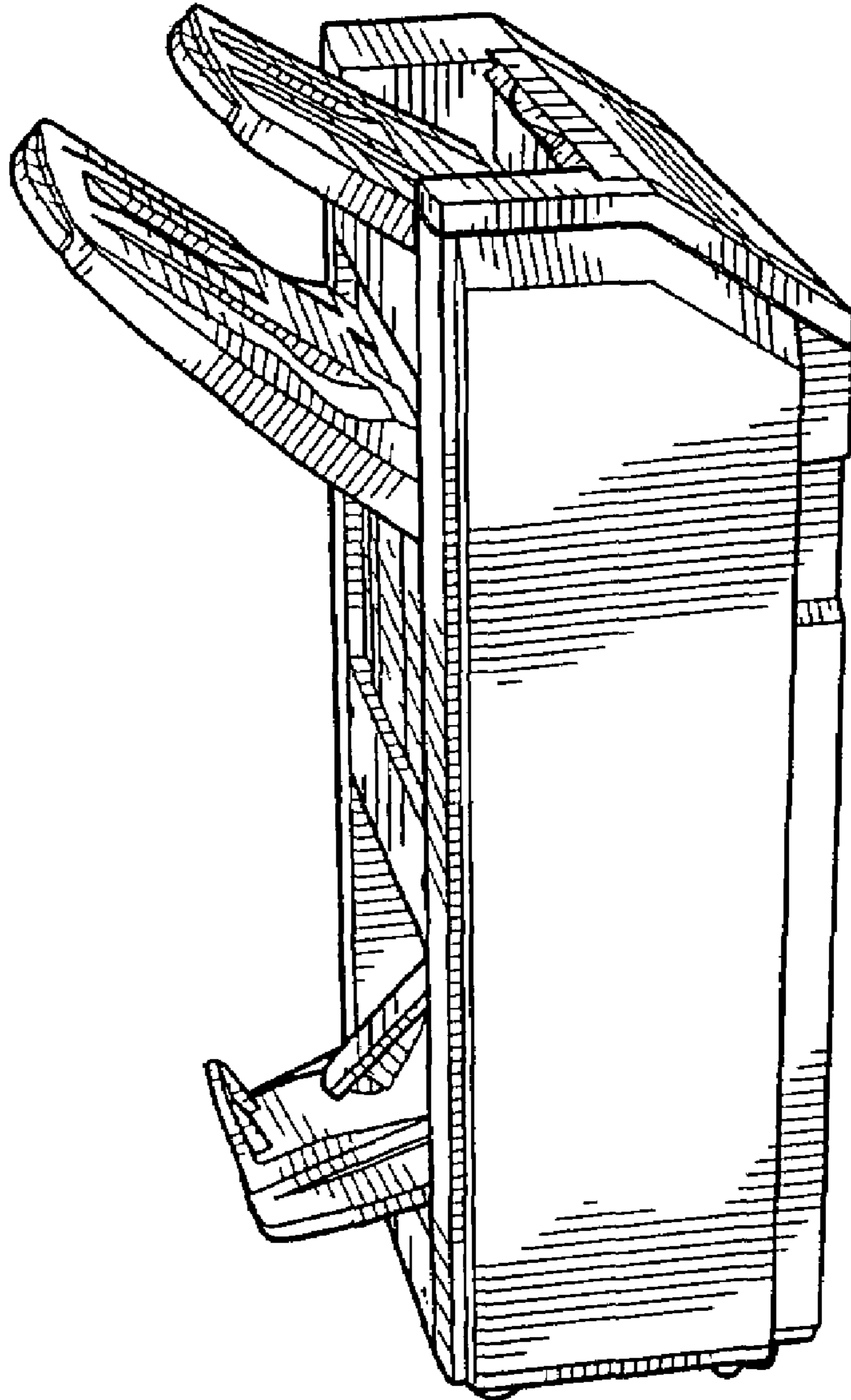


FIG. 7

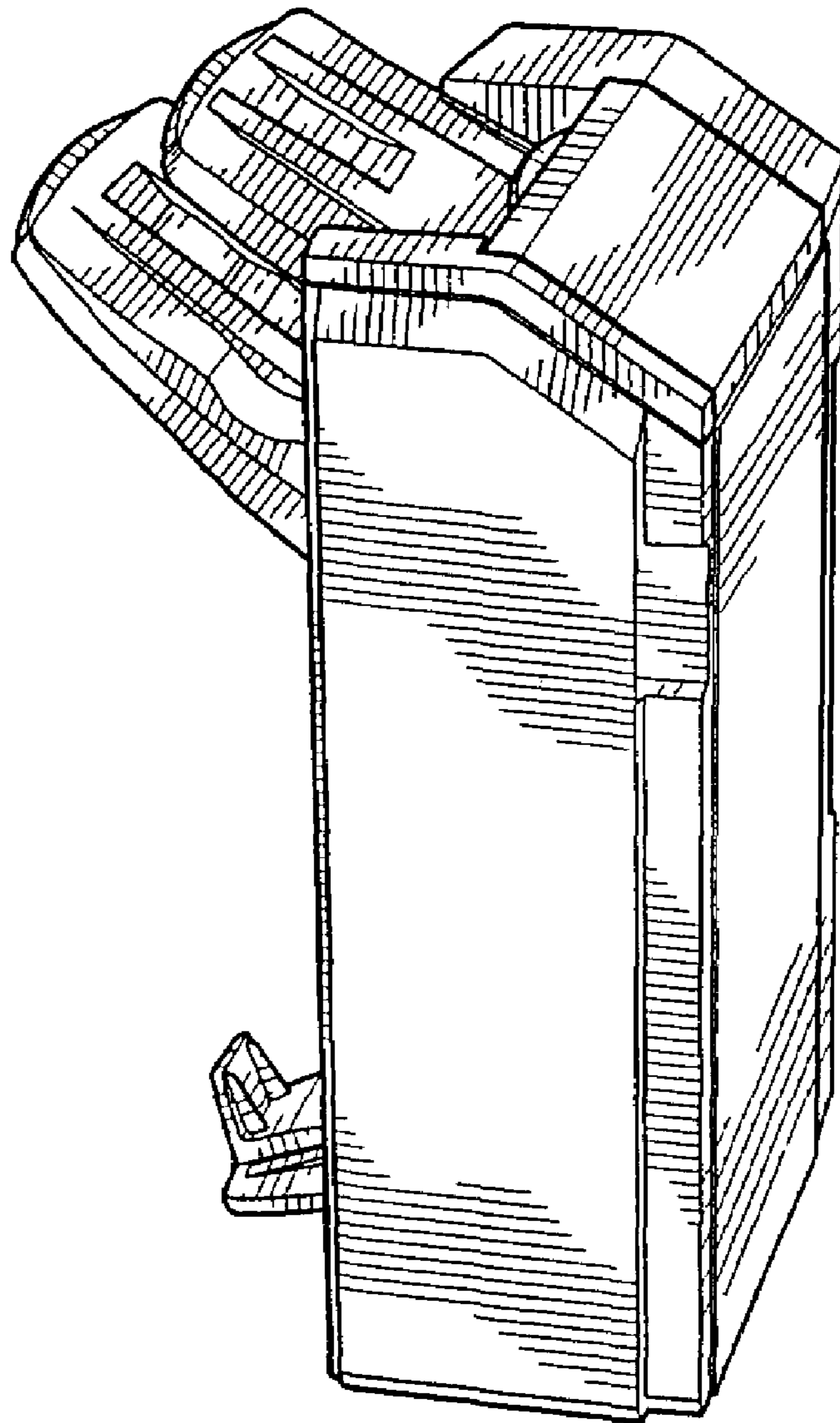


FIG. 8