



US00D558258S

(12) **United States Design Patent** (10) **Patent No.:** **US D558,258 S**  
**Keller et al.** (45) **Date of Patent:** **\*\* Dec. 25, 2007**

(54) **PNEUMATIC CARRIER** 5,871,308 A 2/1999 Valerino, Sr. et al. .... 406/186  
6,015,246 A 1/2000 Yamane et al. .... 406/184  
(75) Inventors: **Danny D. Keller**, Sanger, TX (US); 6,250,853 B1 \* 6/2001 Sumetzberger ..... 406/188  
**Richard A. Wootan**, Arlington, TX 6,276,877 B1 8/2001 Crawford ..... 406/189  
(US); **Anthony I. Juarez**, Denton, TX 6,672,807 B1 1/2004 McIntyre et al. .... 406/180  
(US); **Steven K. Ettelson**, Hollis, NH 6,672,808 B1 1/2004 McIntyre et al. .... 406/197  
(US) 2001/0056311 A1 12/2001 Valerino, Sr. .... 700/214

(73) Assignee: **Golston Product Solutions Company**,  
Sanger, TX (US)

(\*\*) Term: **14 Years**

(21) Appl. No.: **29/255,397**

(22) Filed: **Mar. 7, 2006**

(51) **LOC (8) Cl.** ..... **19-99**

(52) **U.S. Cl.** ..... **D18/35.1**

(58) **Field of Classification Search** ..... D18/35,  
D18/99, 35.1; 406/110-112, 147-150, 176-180,  
406/184, 186-190; D99/28, 35, 99; 138/DIG. 8  
See application file for complete search history.

(56) **References Cited**

**U.S. PATENT DOCUMENTS**

1,679,223	A *	7/1928	MacMillan	.....	406/188
3,231,218	A	1/1966	Tearne	.....	243/34
D217,437	S *	5/1970	Coot et al.	.....	D18/35
3,593,948	A	7/1971	McClellan	.....	243/34
D227,346	S *	6/1973	Fischer	.....	D18/35
4,219,290	A *	8/1980	Golston	.....	406/186
4,362,443	A *	12/1982	Mallory et al.	.....	406/188
4,470,730	A	9/1984	Wuthrich	.....	406/186
4,948,303	A	8/1990	Good	.....	406/186
5,573,356	A *	11/1996	Henderson	.....	406/186
5,636,947	A	6/1997	Valerino, Sr. et al.	.....	406/186

\* cited by examiner

*Primary Examiner*—Charles A. Rademaker  
(74) *Attorney, Agent, or Firm*—Thompson & Gustavson  
L.L.P.

(57) **CLAIM**

The ornamental design for a pneumatic carrier, as shown and described.

**DESCRIPTION**

FIG. 1 is a perspective view of a pneumatic carrier showing our new design;

FIG. 2 is a front elevation thereof;

FIG. 3 is a left side elevation thereof;

FIG. 4 is a right side elevation thereof;

FIG. 5 is a rear elevation thereof;

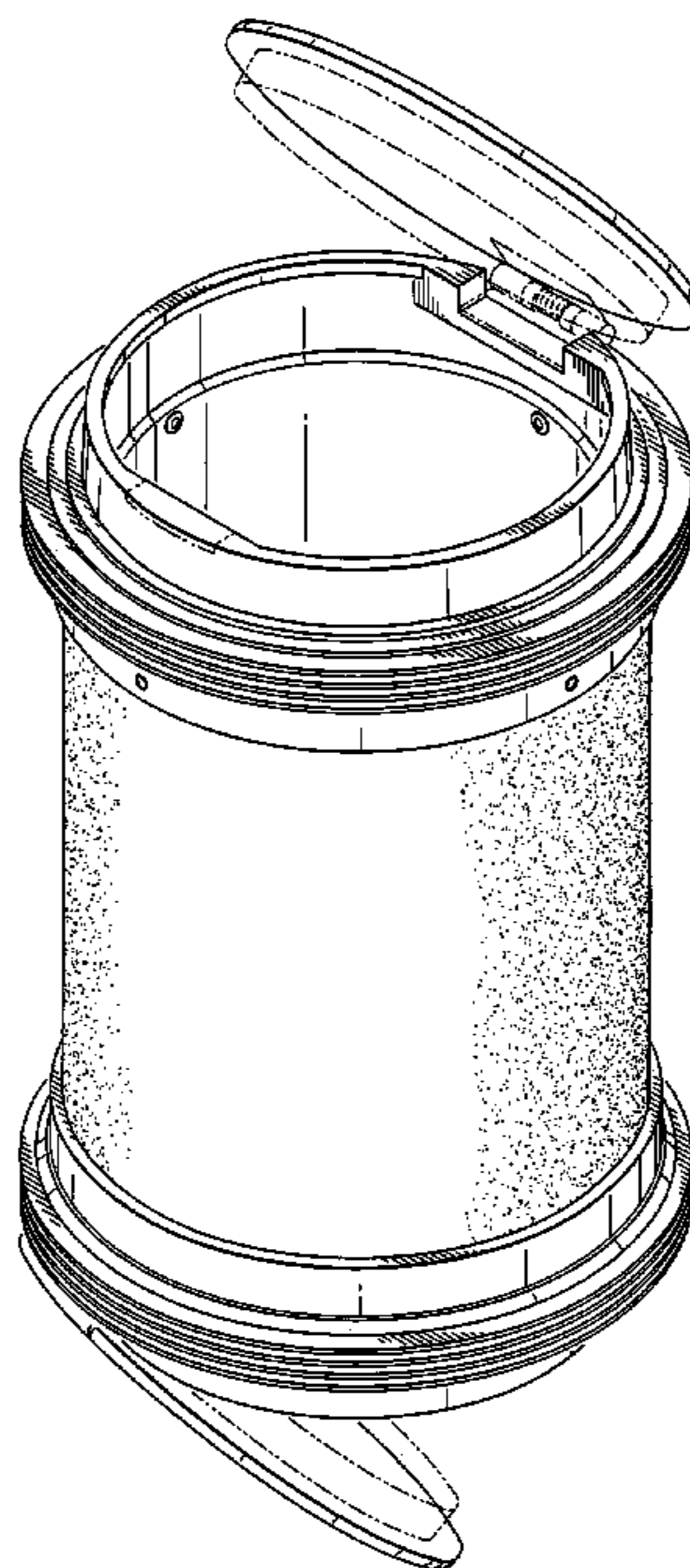
FIG. 6 is a top plan view thereof;

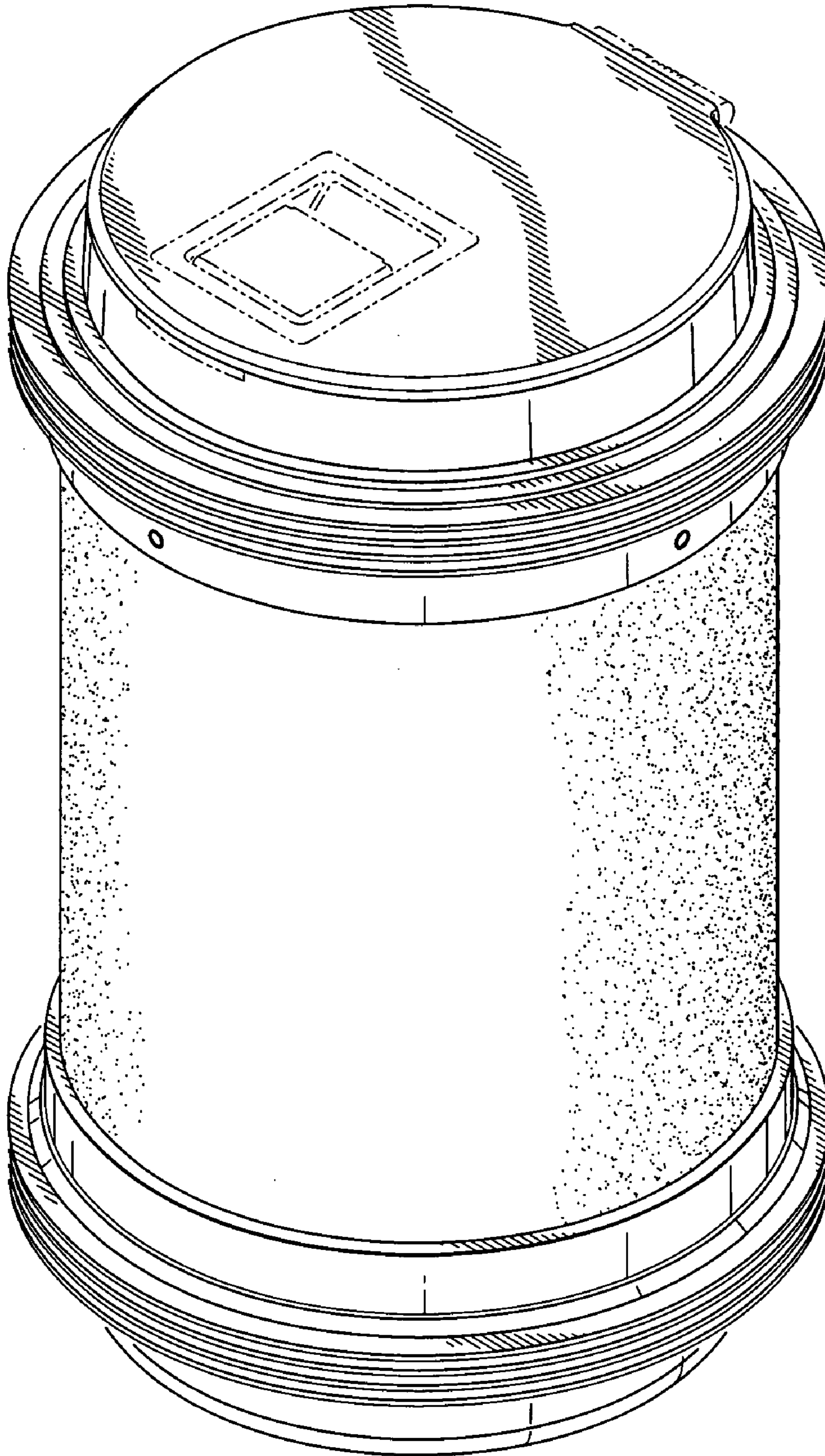
FIG. 7 is a bottom plan view thereof; and,

FIG. 8 is a perspective view thereof showing the lids in an open position.

The broken lines shown in the drawings define the bounds of the claimed design and form no part thereof.

**1 Claim, 7 Drawing Sheets**





*FIG. 1*

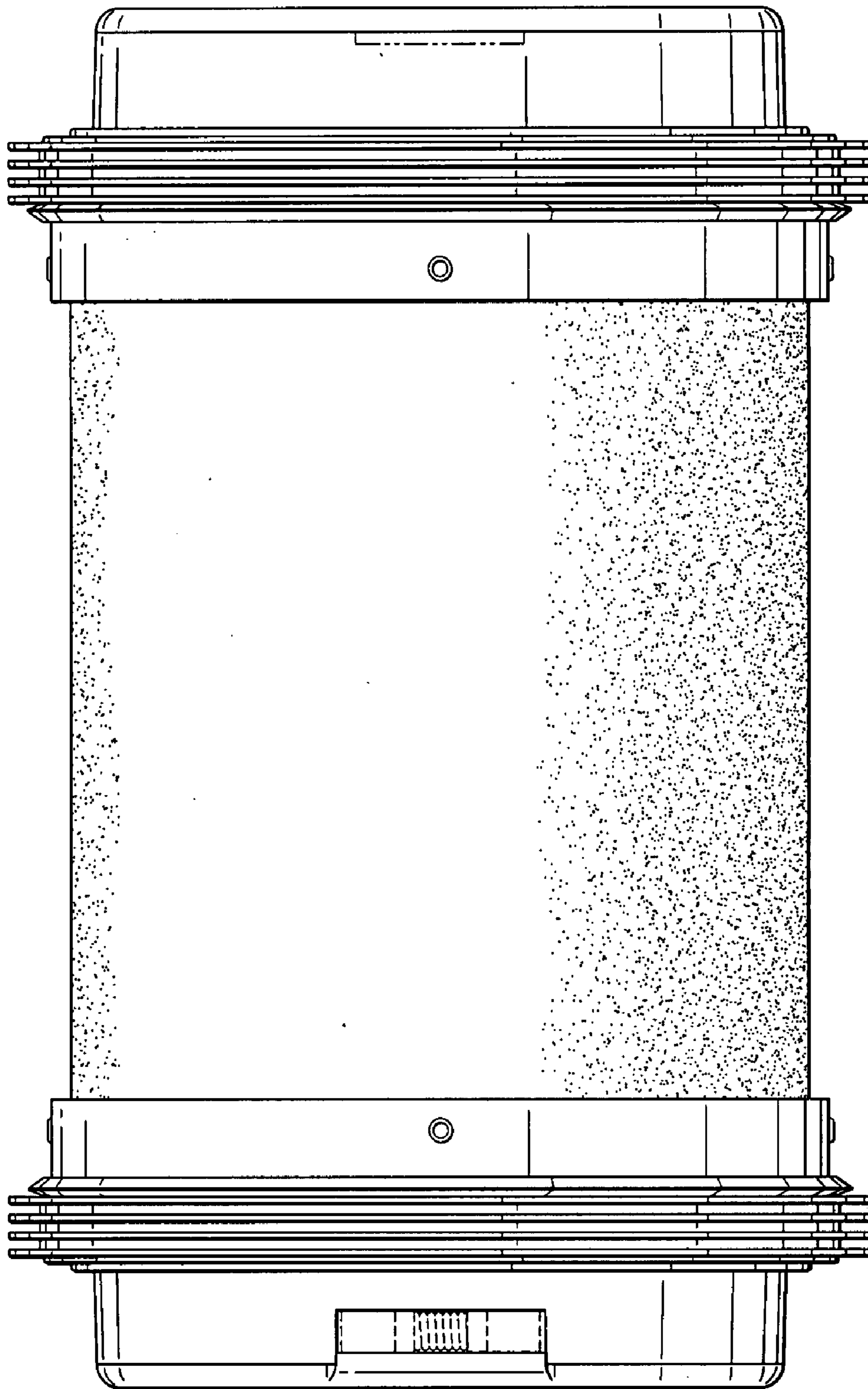
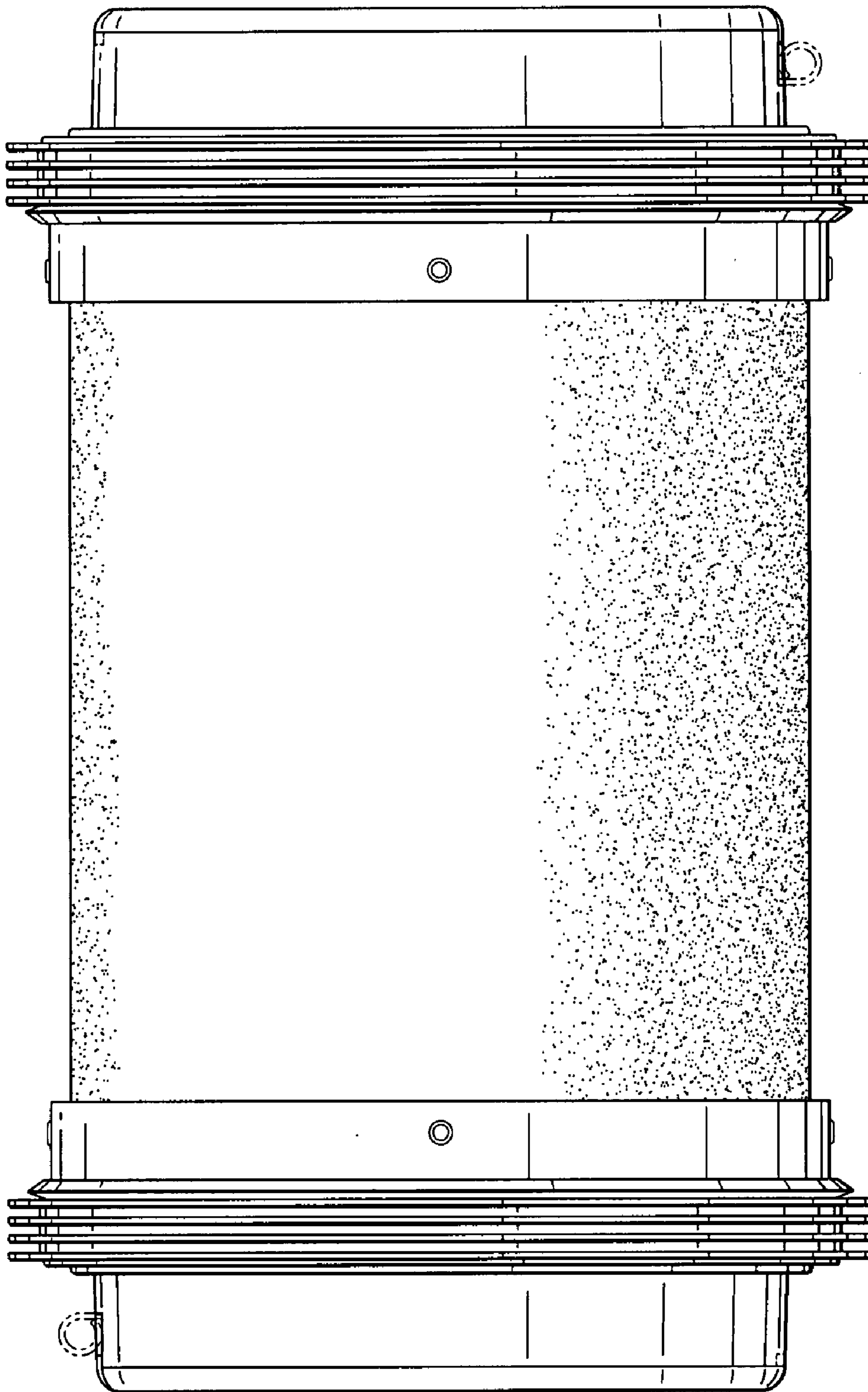


FIG. 2



*FIG. 3*

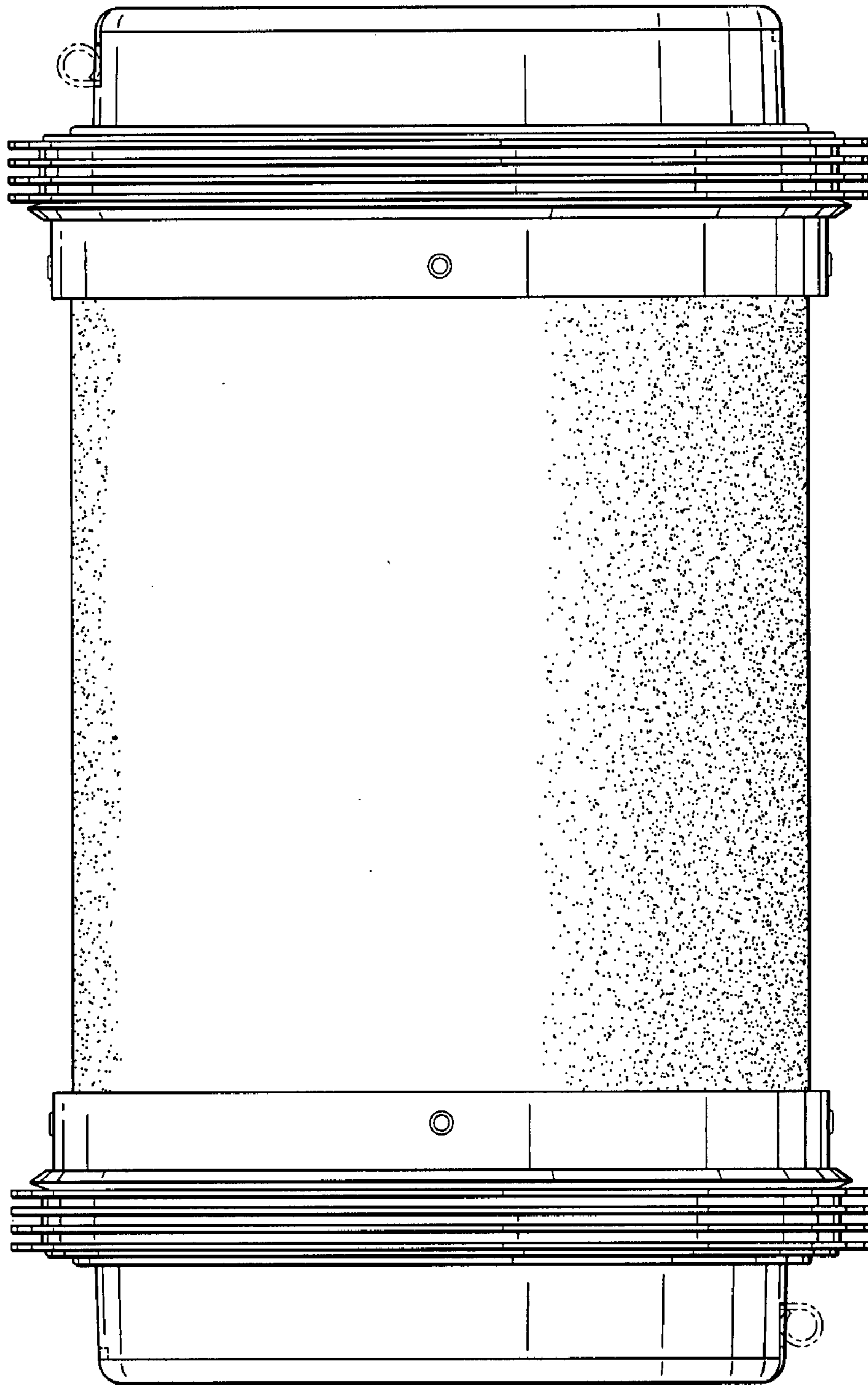


FIG. 4

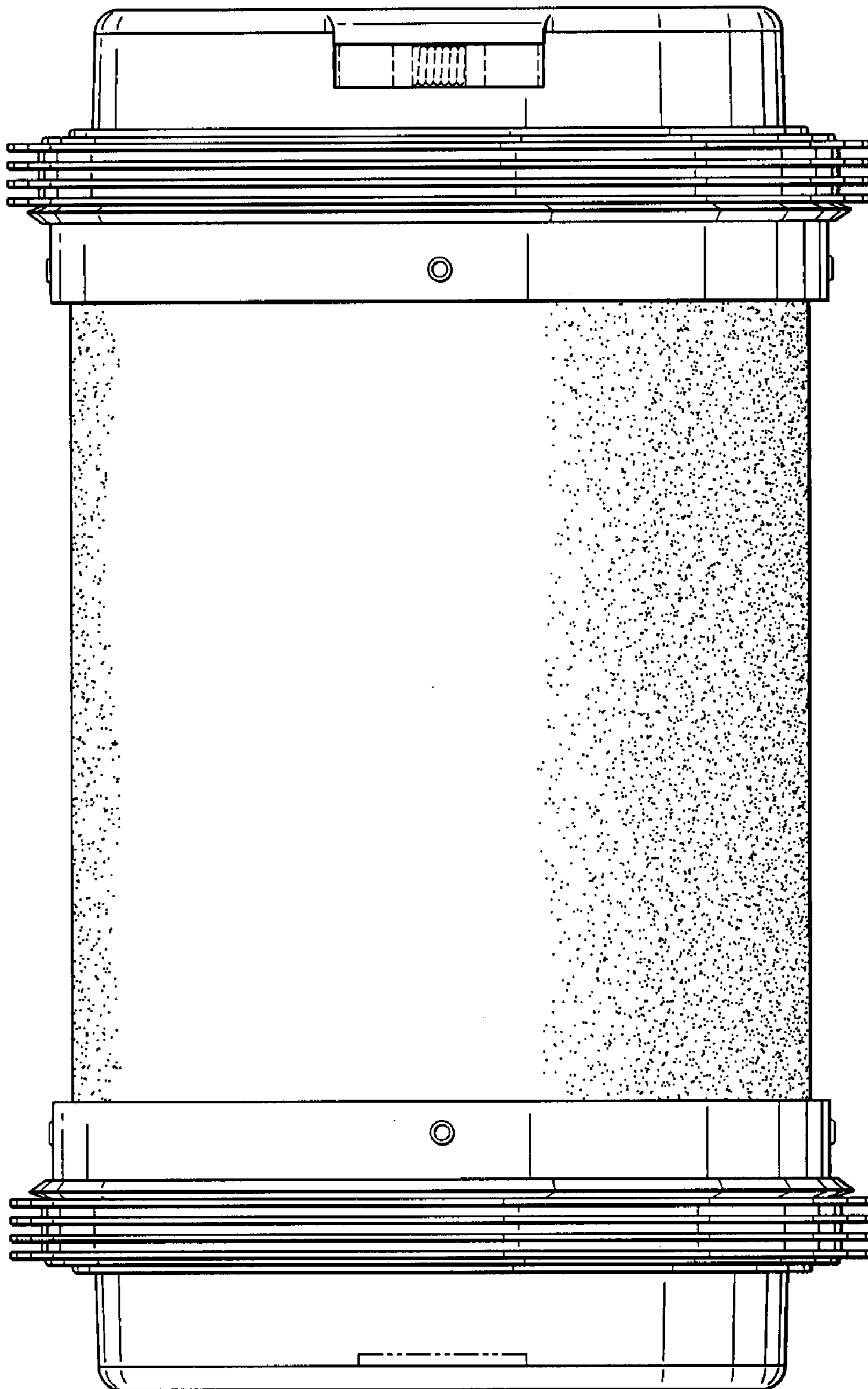
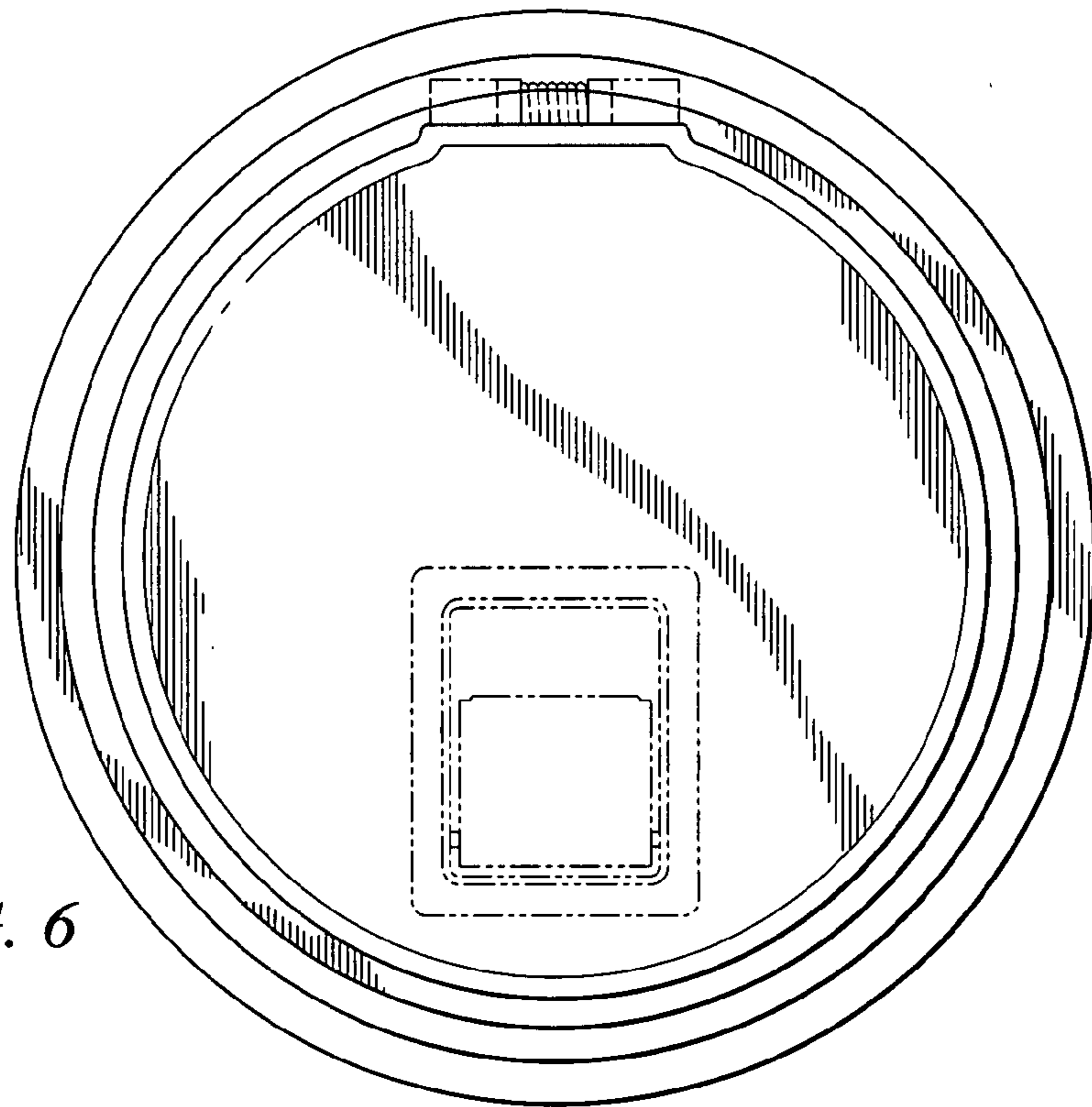
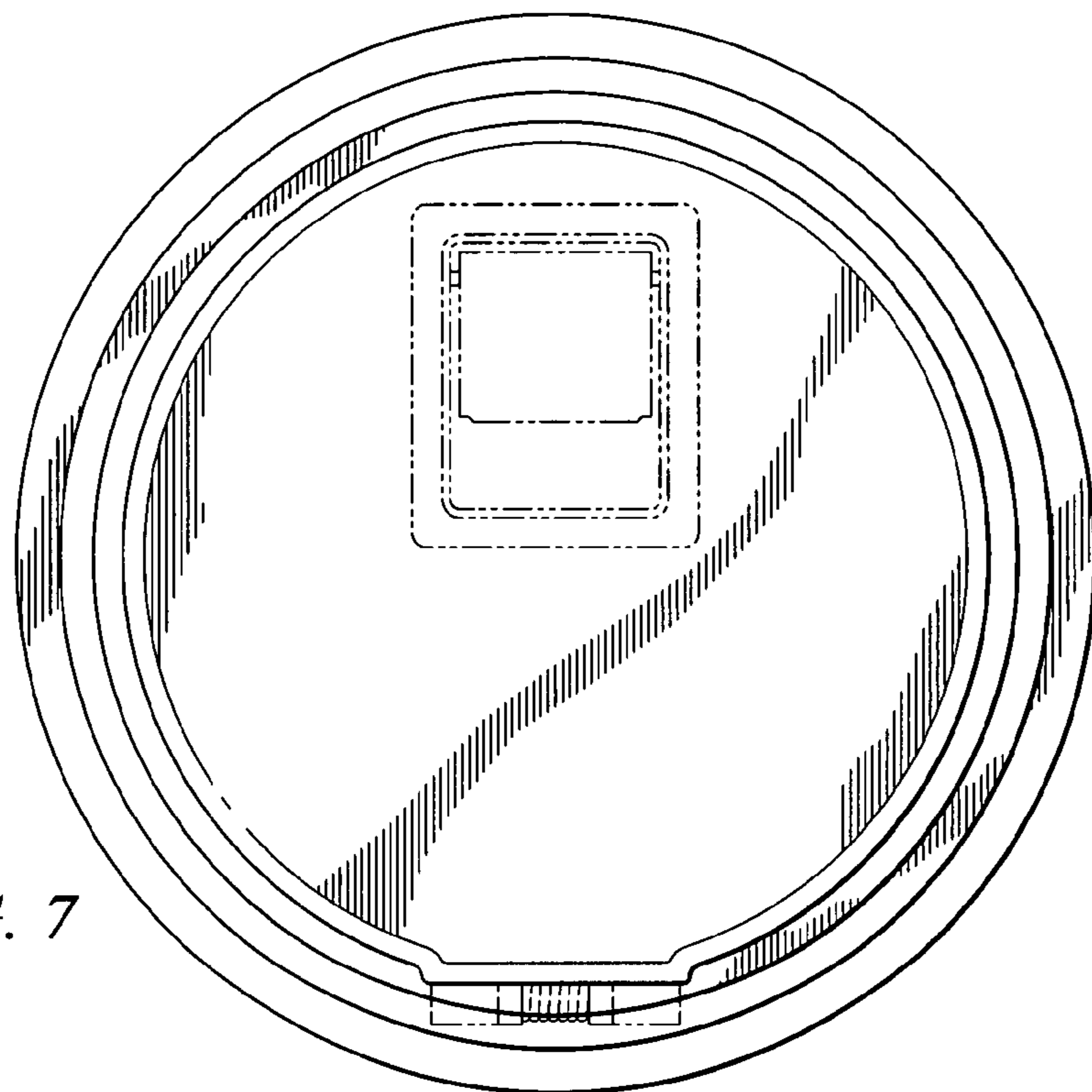


FIG. 5



*FIG. 6*



*FIG. 7*

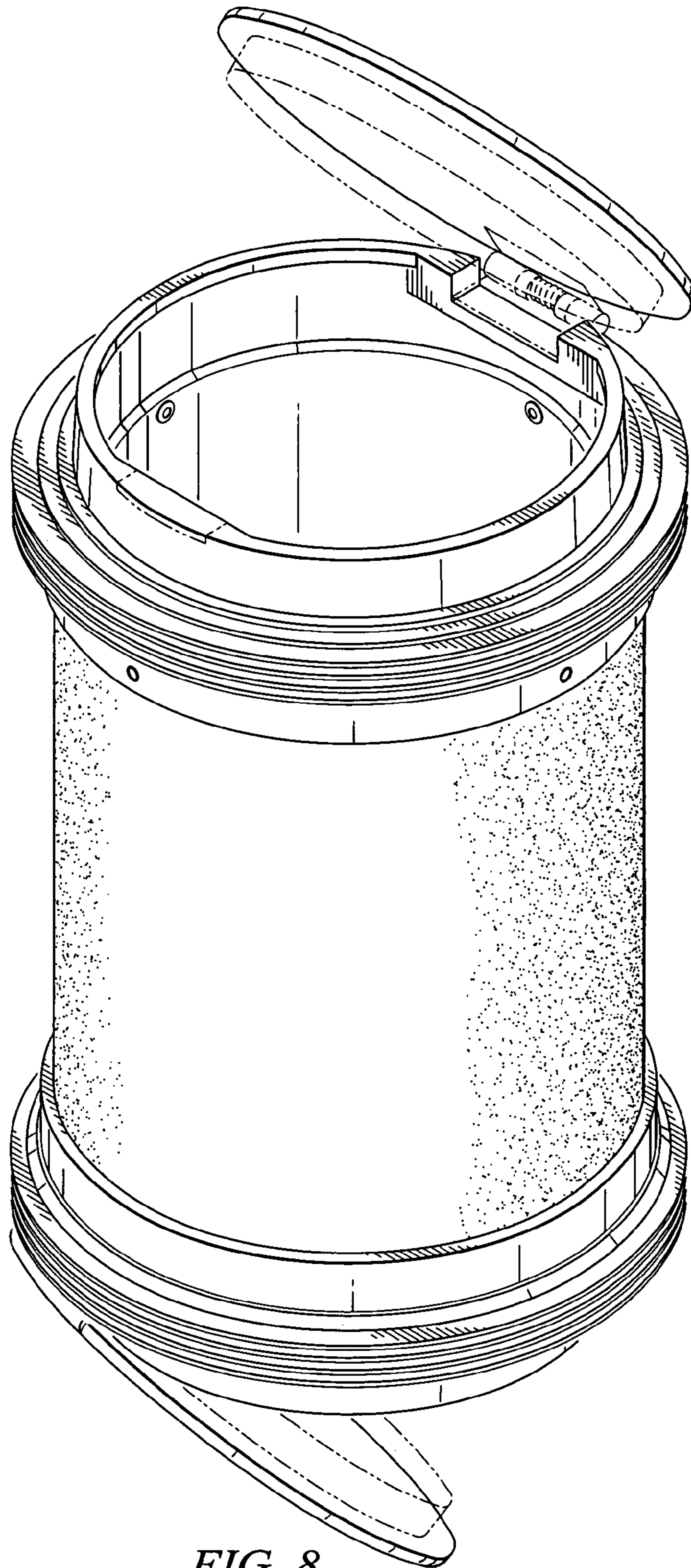


FIG. 8