

US00D558252S

(12) **United States Design Patent**
Matsumiya et al.

(10) **Patent No.:** **US D558,252 S**

(45) **Date of Patent:** **** Dec. 25, 2007**

(54) **LAMP FOR PROJECTOR**

(75) Inventors: **Toshio Matsumiya**, Matsumoto (JP);
Takeshi Utagawa, Shiojiri (JP); **Osamu Fujimaki**, Matsumoto (JP)

(73) Assignee: **Seiko Epson Corporation**, Tokyo (JP)

(**) Term: **14 Years**

(21) Appl. No.: **29/242,294**

(22) Filed: **Nov. 9, 2005**

(30) **Foreign Application Priority Data**

Sep. 2, 2005 (JP) 2005-025475

(51) **LOC (8) Cl.** **16-02**

(52) **U.S. Cl.** **D16/221; D16/235**

(58) **Field of Classification Search** D16/221,
D16/237, 225, 235, 236; D26/1, 28, 36,
D26/24; 353/97, 119, 87, 98, 85; 362/294,
362/368, 430, 227; 352/198, 203
See application file for complete search history.

(56) **References Cited**

U.S. PATENT DOCUMENTS

4,390,935 A * 6/1983 Audesse et al. 362/294
D275,683 S * 9/1984 Donnelly et al. D16/235
5,722,753 A * 3/1998 Okada et al. 353/119
5,855,488 A * 1/1999 Heintz et al. 353/119
D420,455 S * 2/2000 Haba et al. D26/1
D424,089 S * 5/2000 Takizawa D16/221

6,461,025 B1 * 10/2002 Payne 362/374
6,523,960 B2 * 2/2003 Watanabe 353/98
7,052,147 B2 * 5/2006 Katsuma et al. 353/119
7,104,654 B2 * 9/2006 Tamaru et al. 353/85

* cited by examiner

Primary Examiner—Ian Simmons

Assistant Examiner—Wan Laymon

(74) *Attorney, Agent, or Firm*—Oliff & Berridge, PLC

(57) **CLAIM**

The ornamental design for a lamp for projector, as shown and described.

DESCRIPTION

FIG. 1 is a top and front perspective view of a lamp for projector;

FIG. 2 is a front view thereof;

FIG. 3 is a rear view thereof;

FIG. 4 is a left side view thereof;

FIG. 5 is a right side view thereof;

FIG. 6 is a top view thereof;

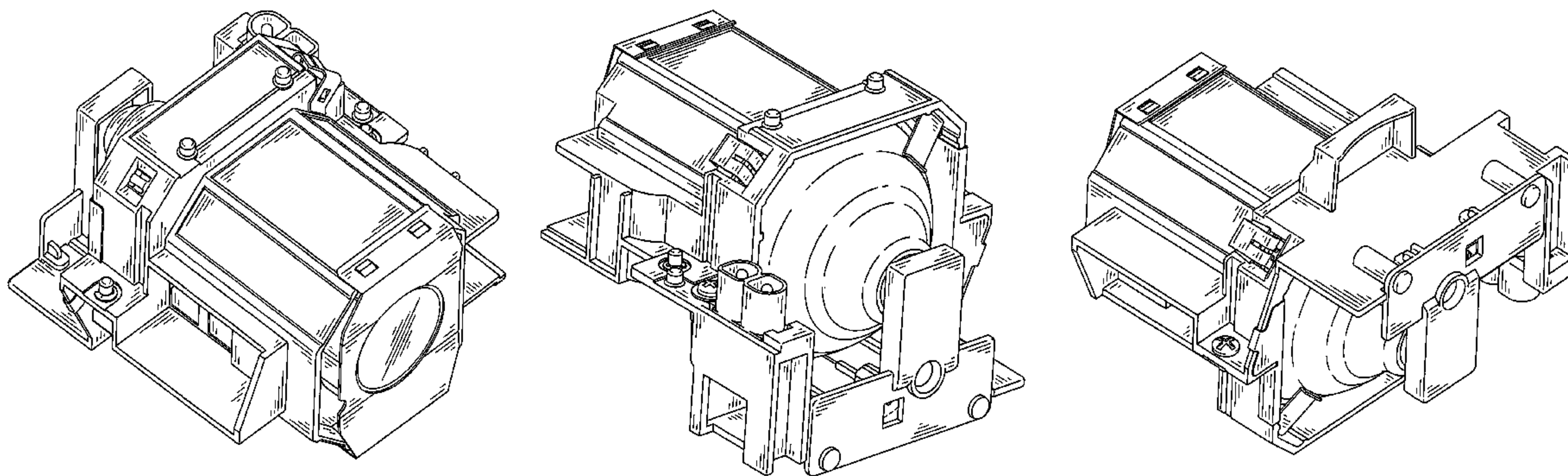
FIG. 7 is a bottom view thereof;

FIG. 8 is a rear and top perspective view thereof; and,

FIG. 9 is a bottom and rear perspective view thereof.

The broken lines in FIGS. 3–6 and 8 are for illustrative purposes only and form no part of the claimed design.

1 Claim, 7 Drawing Sheets



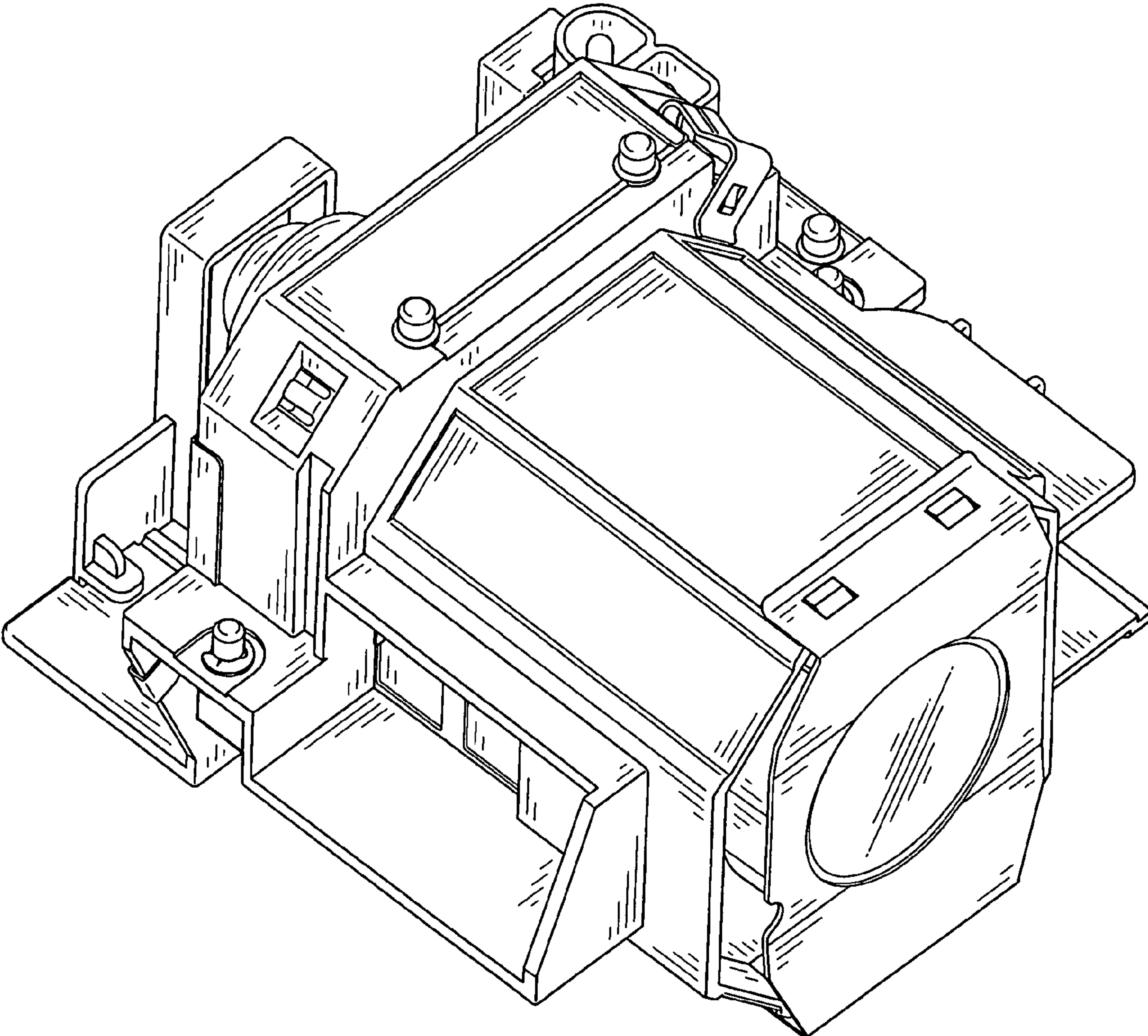


FIG. 1

FIG. 2

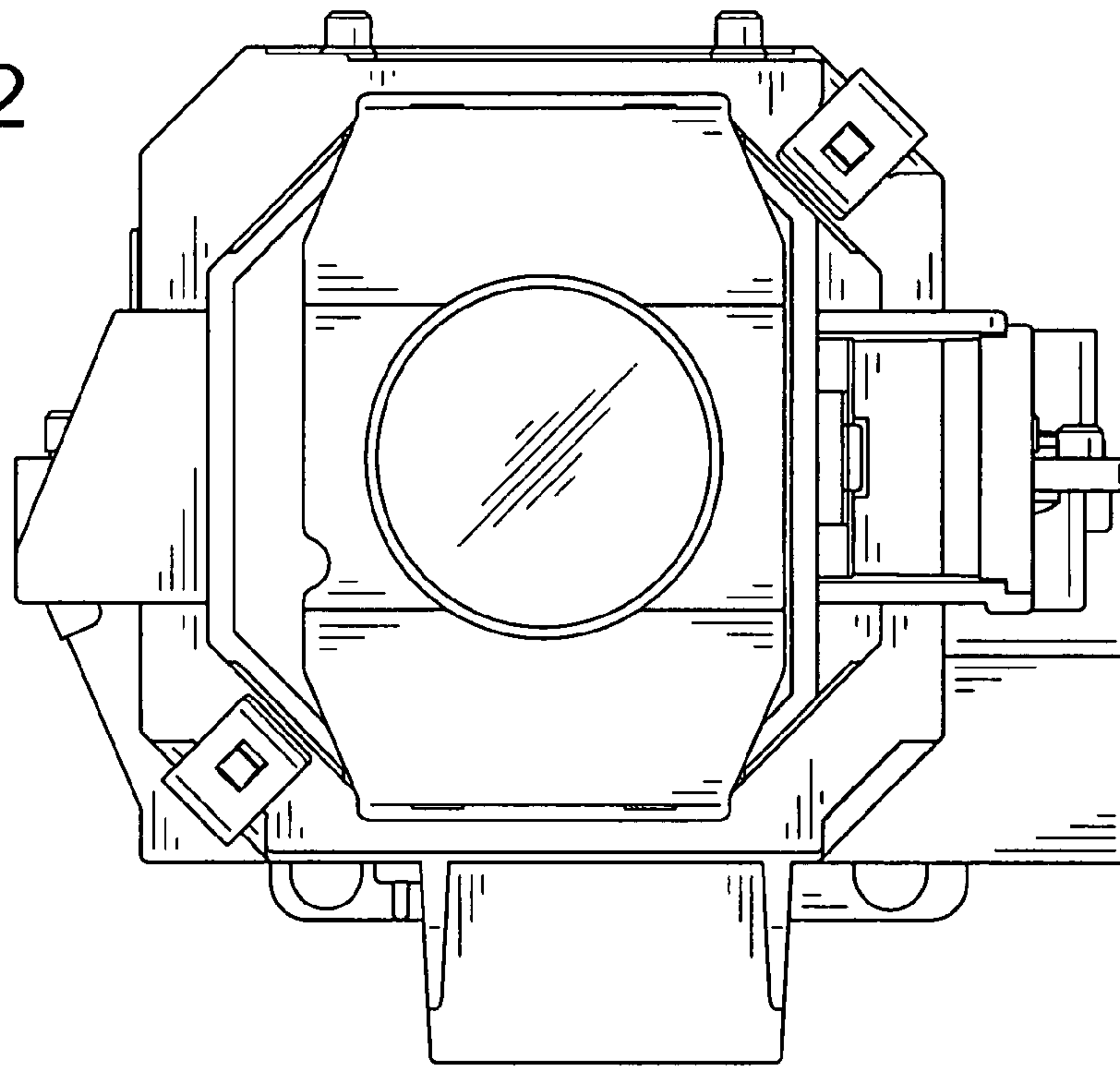
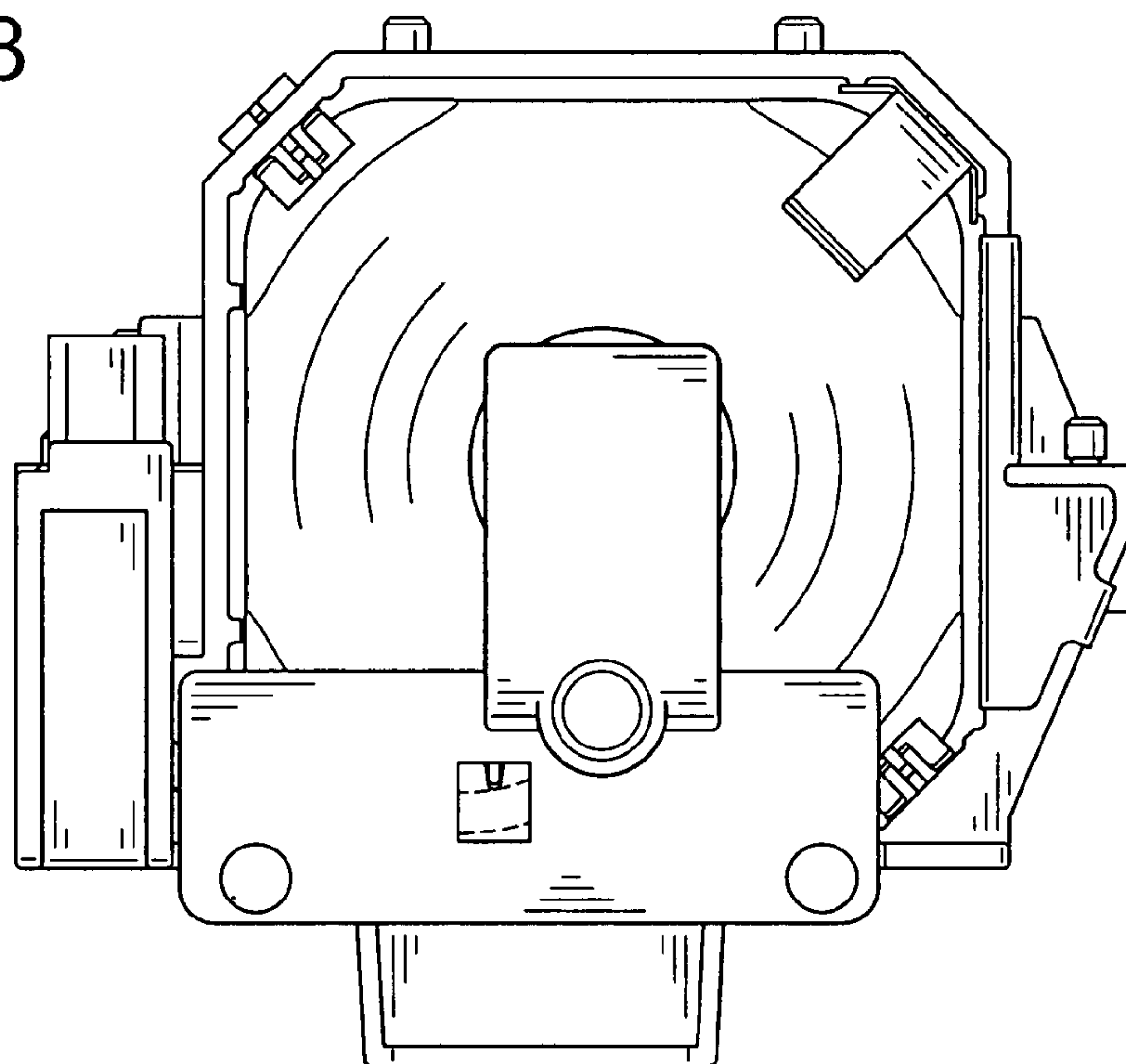


FIG. 3



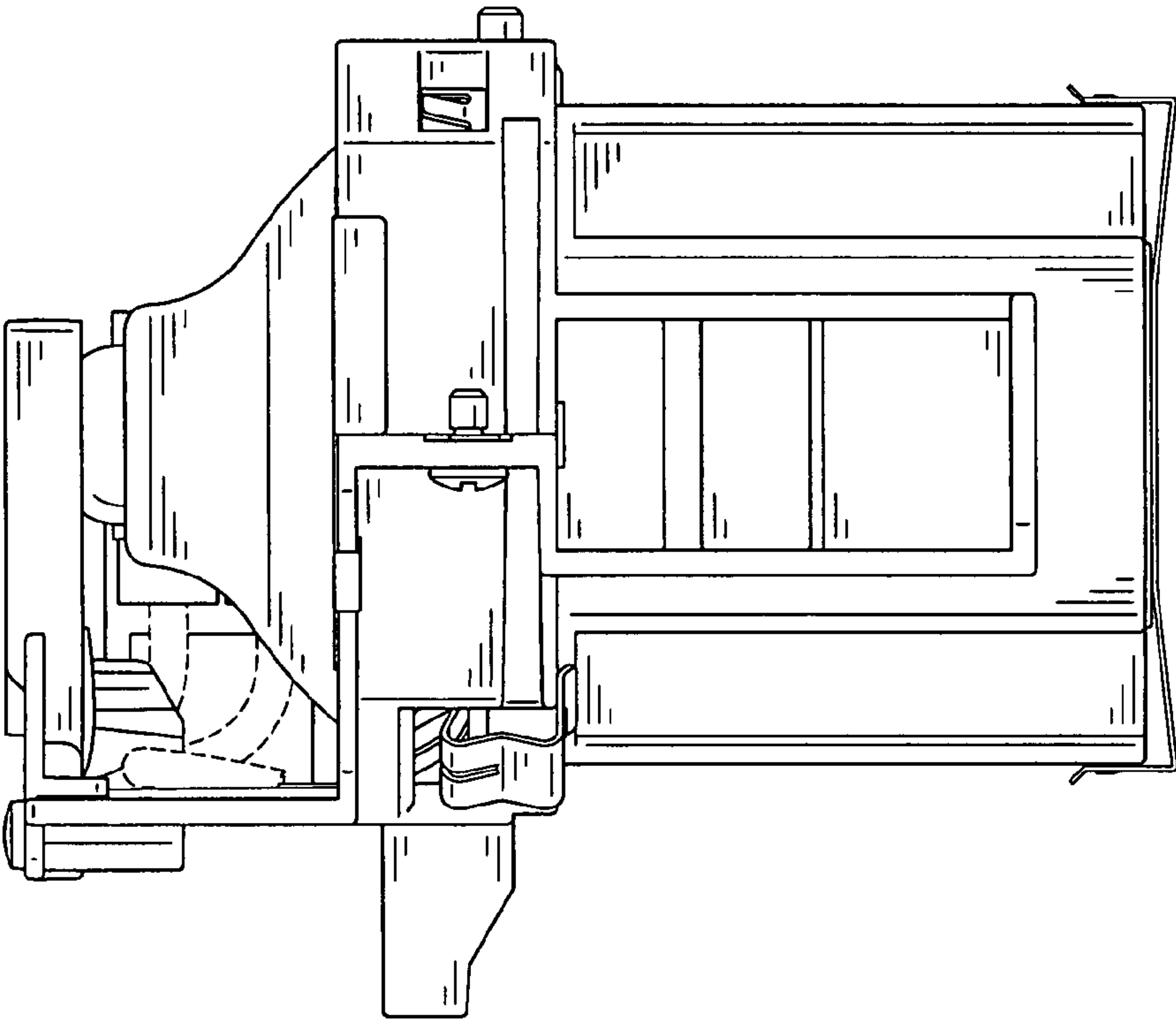


FIG. 4

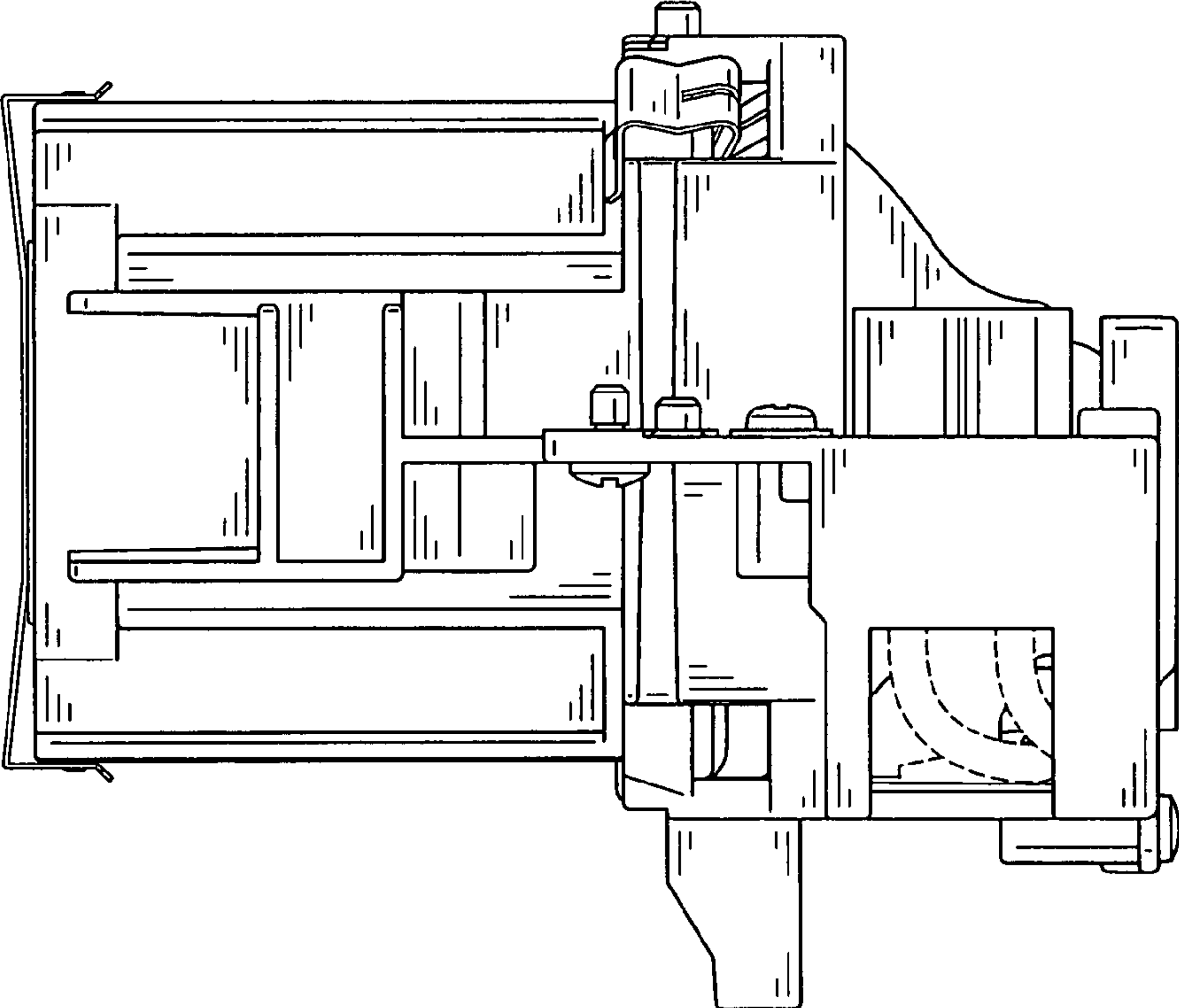


FIG. 5

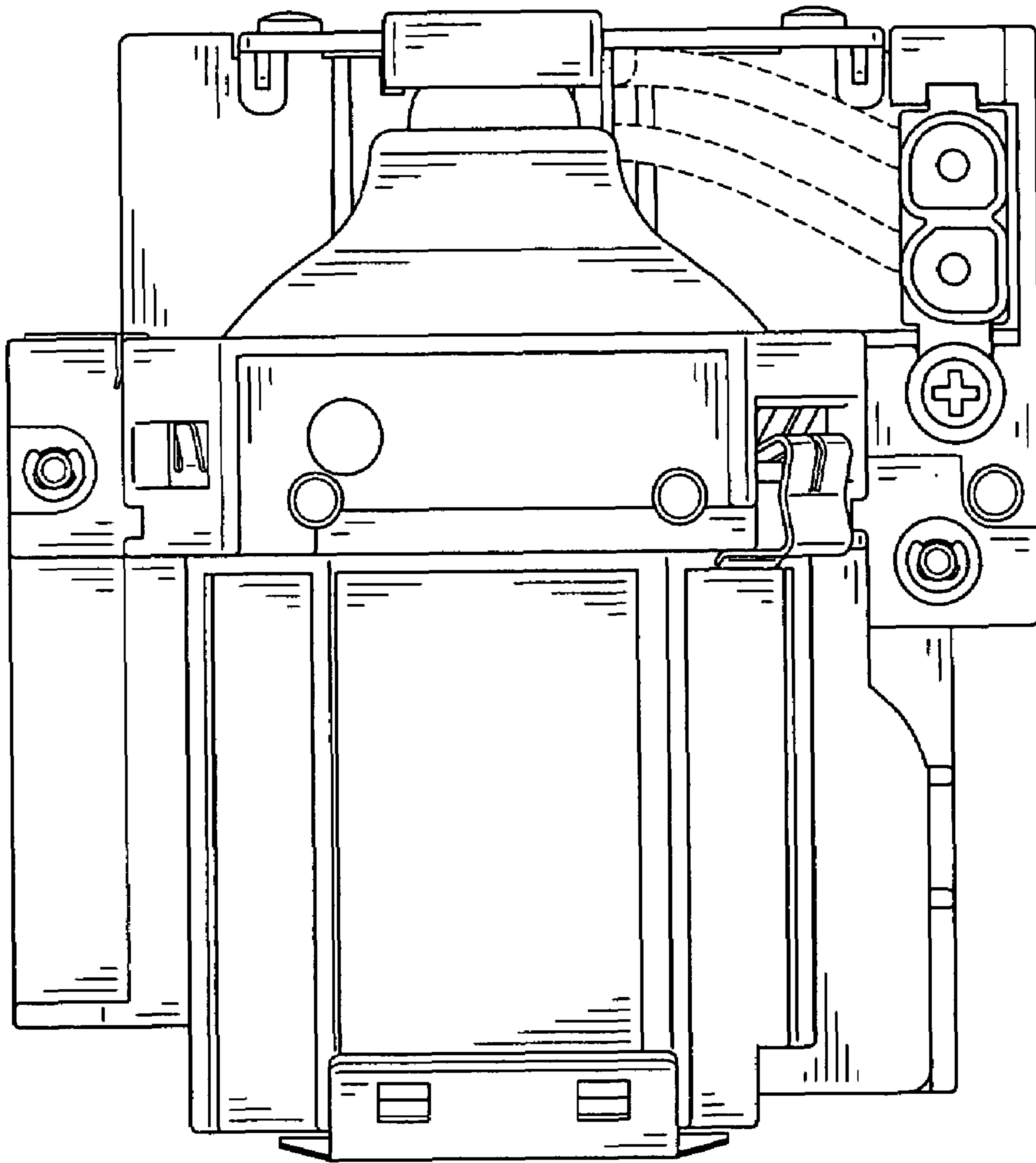


FIG. 6

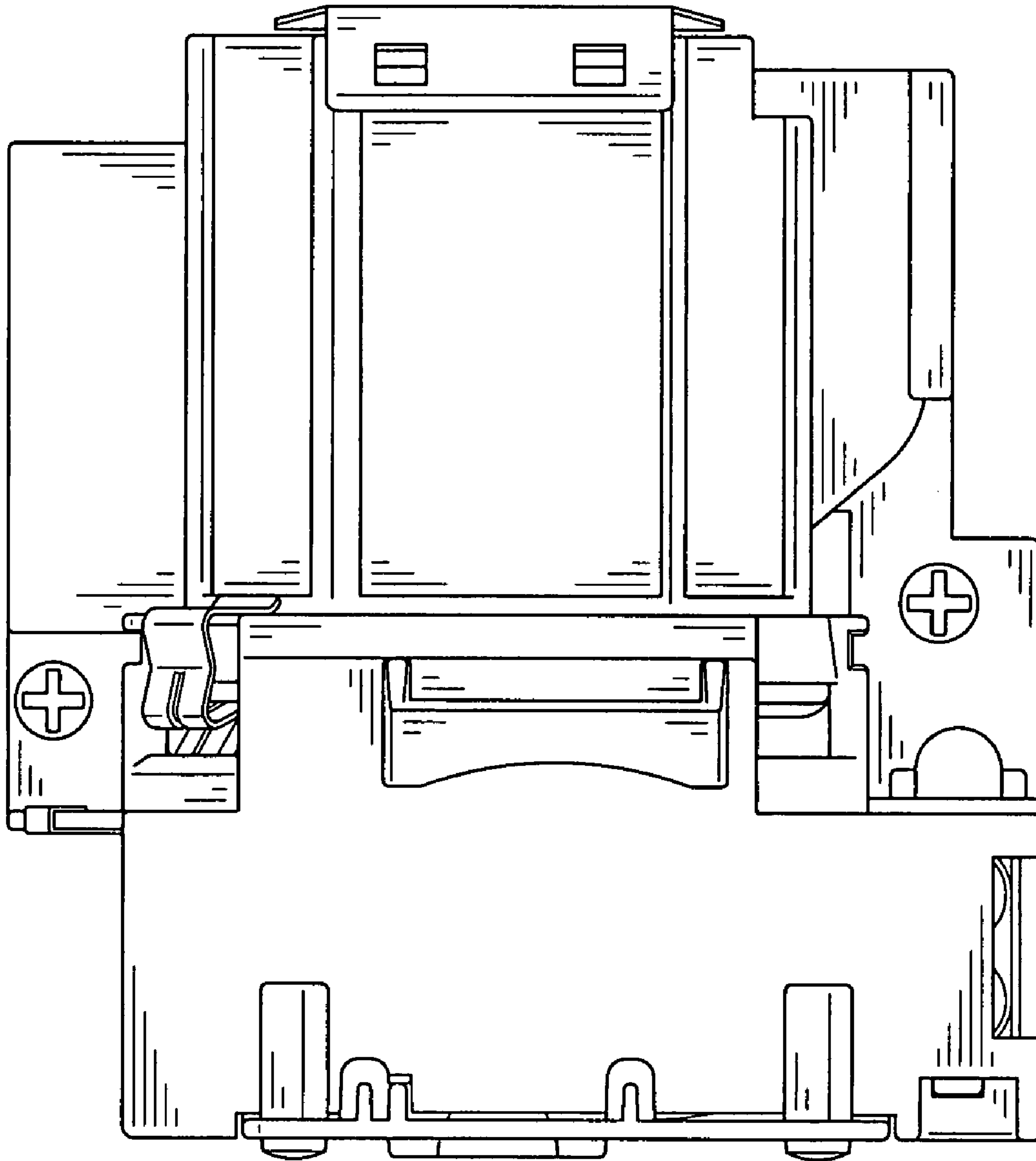


FIG. 7

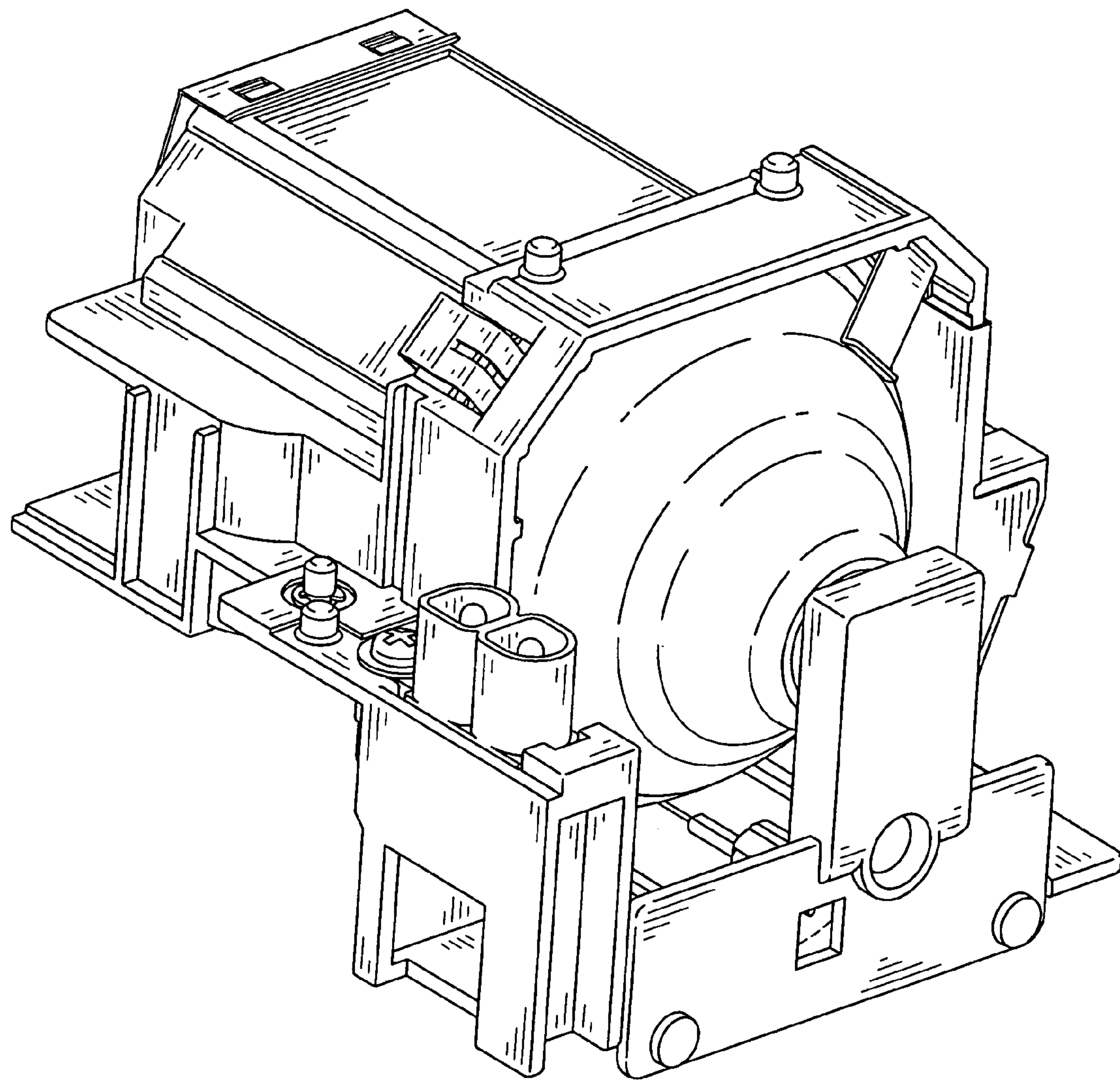


FIG. 8

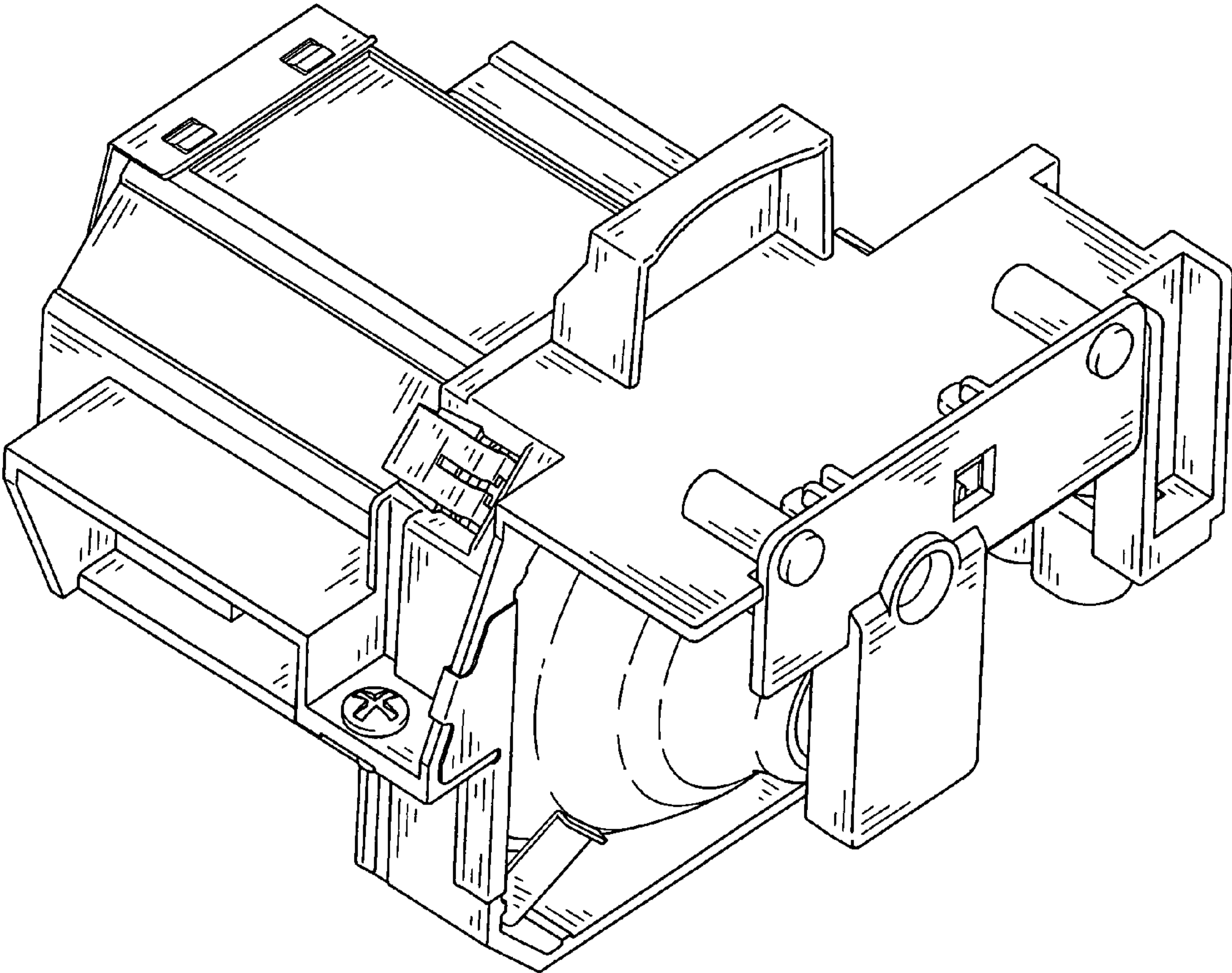


FIG. 9