



US00D558251S

(12) **United States Design Patent**
Katayama

(10) **Patent No.:** **US D558,251 S**

(45) **Date of Patent:** **** Dec. 25, 2007**

(54) **ELECTRONIC CAMERA**

D524,344 S * 7/2006 Imai D16/202
D532,028 S * 11/2006 Sakai D16/202

(75) Inventor: **Noriko Katayama**, Tokyo (JP)

* cited by examiner

(73) Assignee: **Fujifilm Corporation**, Tokyo (JP)

Primary Examiner—Adir Aronovich

(**) Term: **14 Years**

(74) *Attorney, Agent, or Firm*—Young & Thompson

(21) Appl. No.: **29/259,675**

(57) **CLAIM**

(22) Filed: **May 15, 2006**

The ornamental design for an electronic camera, as shown and described.

(30) **Foreign Application Priority Data**

Nov. 17, 2005 (JP) 2005-033935

DESCRIPTION

(51) **LOC (8) Cl.** **16-05**

FIG. 1 is a top, front and side perspective view of an electronic camera showing my new design;

(52) **U.S. Cl.** **D16/219; D16/202**

FIG. 2 is a front elevational view thereof;

(58) **Field of Classification Search** D16/200–204,
D16/208, 209, 218, 219; 348/373–376; 358/909.1;
396/6, 535, 536–541

FIG. 3 is a top plan view thereof;

See application file for complete search history.

FIG. 4 is a bottom plan view thereof;

(56) **References Cited**

FIG. 5 is a side elevational view thereof from the left of FIG. 2; and,

U.S. PATENT DOCUMENTS

FIG. 6 is a side elevational view thereof from the right of FIG. 2.

- D437,869 S * 2/2001 Nakanishi et al. D16/219
- D450,737 S * 11/2001 Suzuki D16/202
- 6,445,417 B1 * 9/2002 Yoshida et al. 348/374
- 6,553,188 B2 * 4/2003 Tanaka 396/535
- D479,547 S * 9/2003 Nagayama D16/202
- D501,497 S * 2/2005 Hayamizu D16/219

The portions of the camera in broken lines are shown to illustrate environment only and form no part of the claimed design.

1 Claim, 3 Drawing Sheets

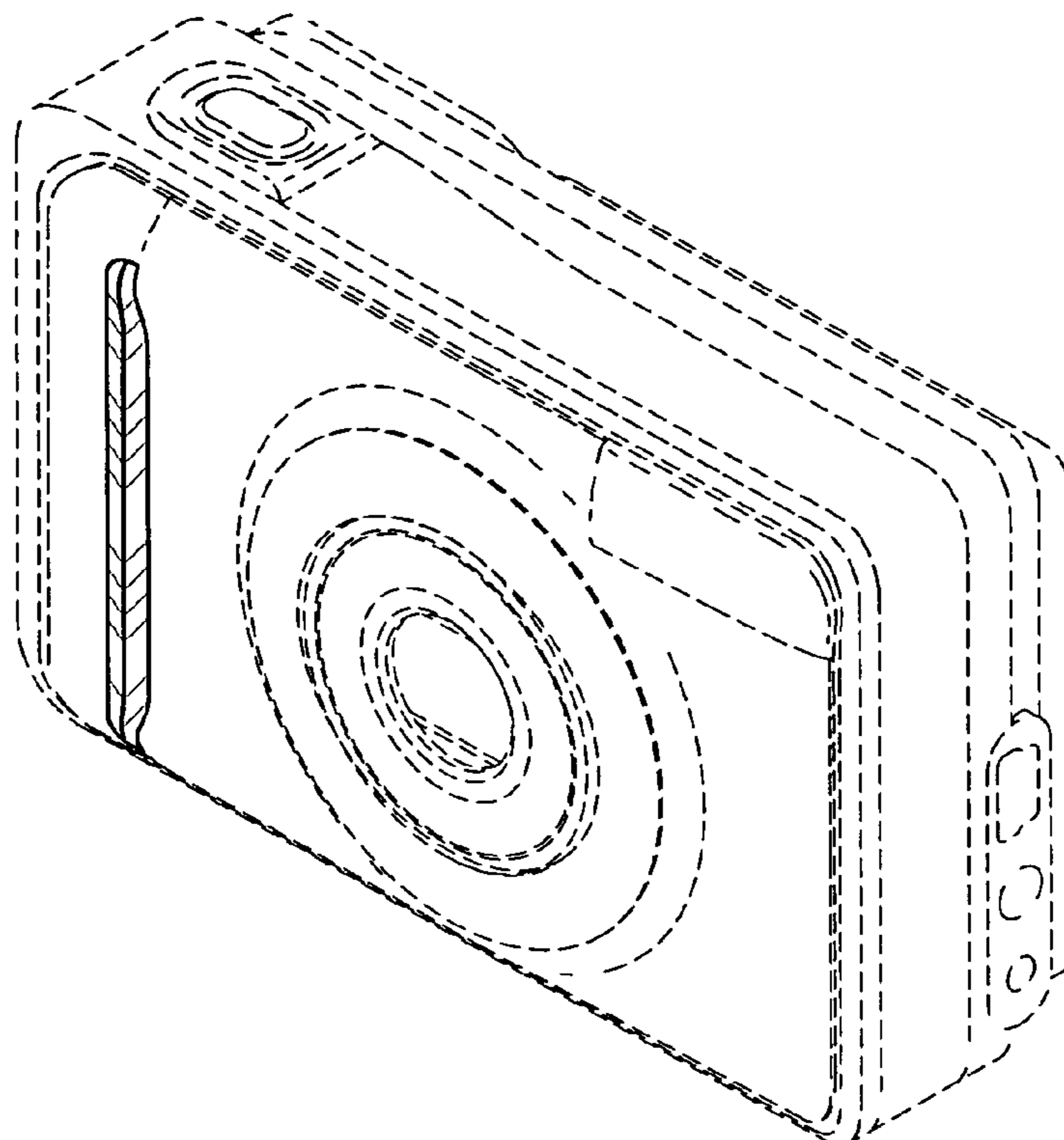


FIG.1

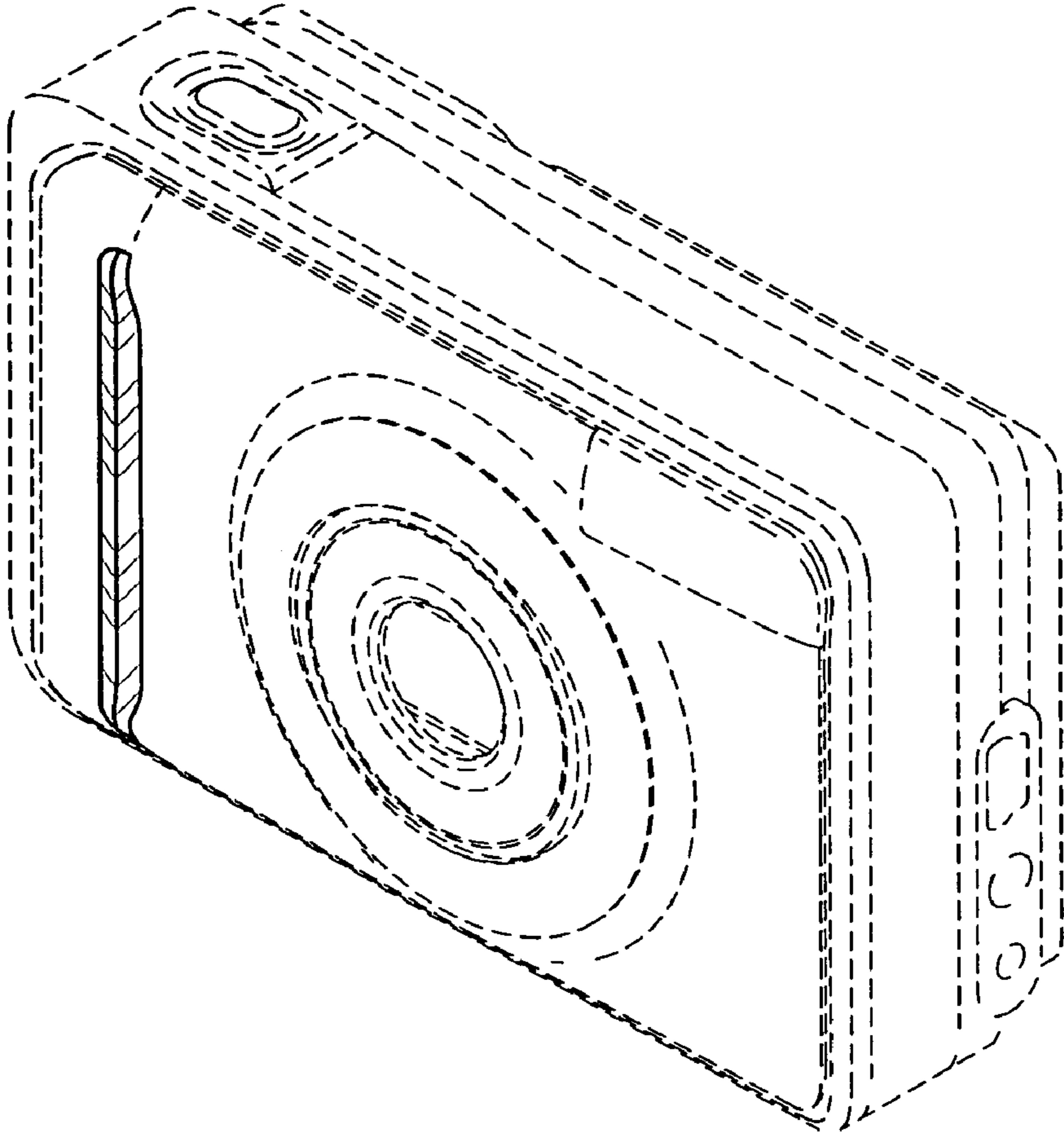


FIG.2

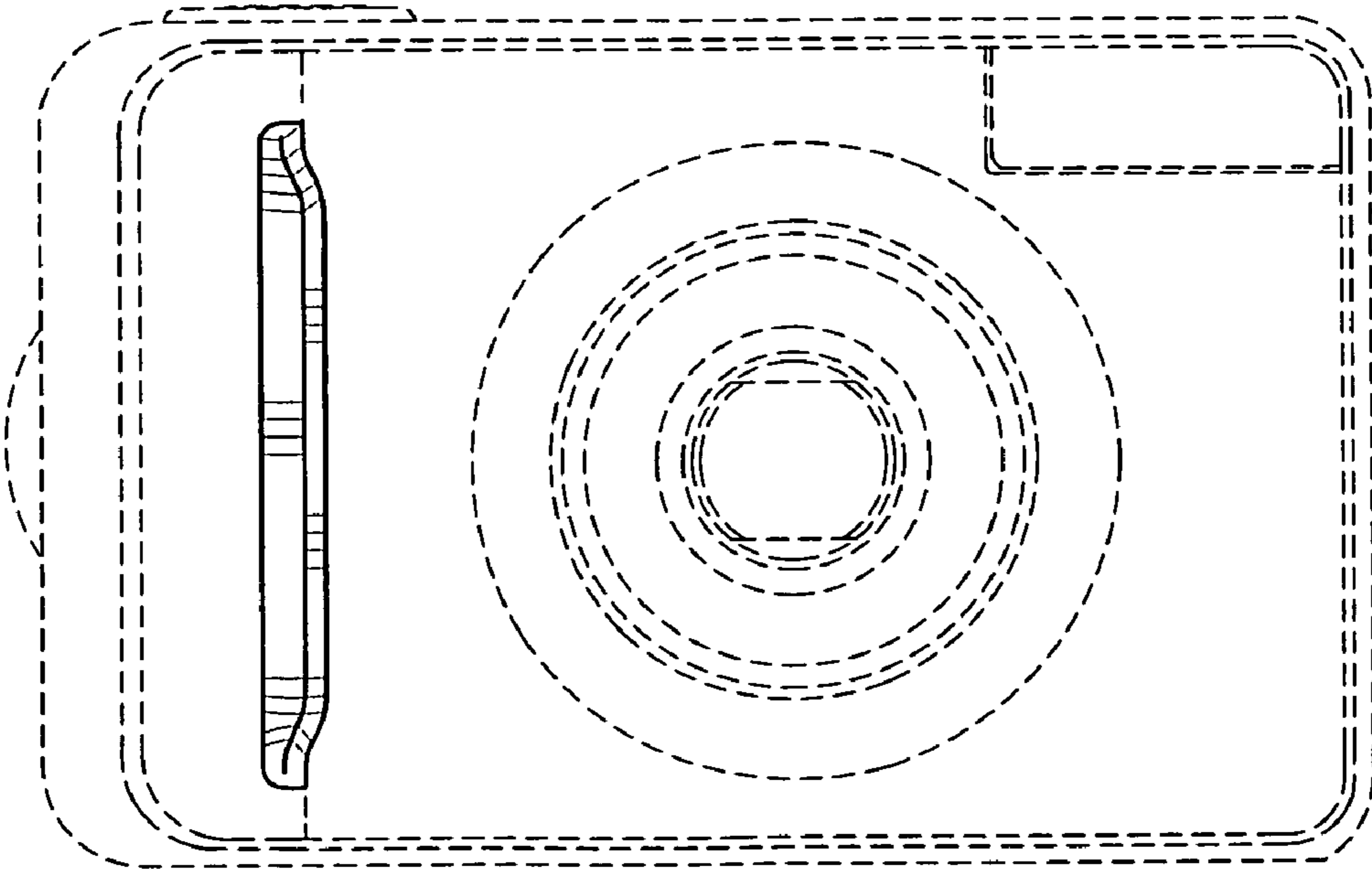


FIG.3

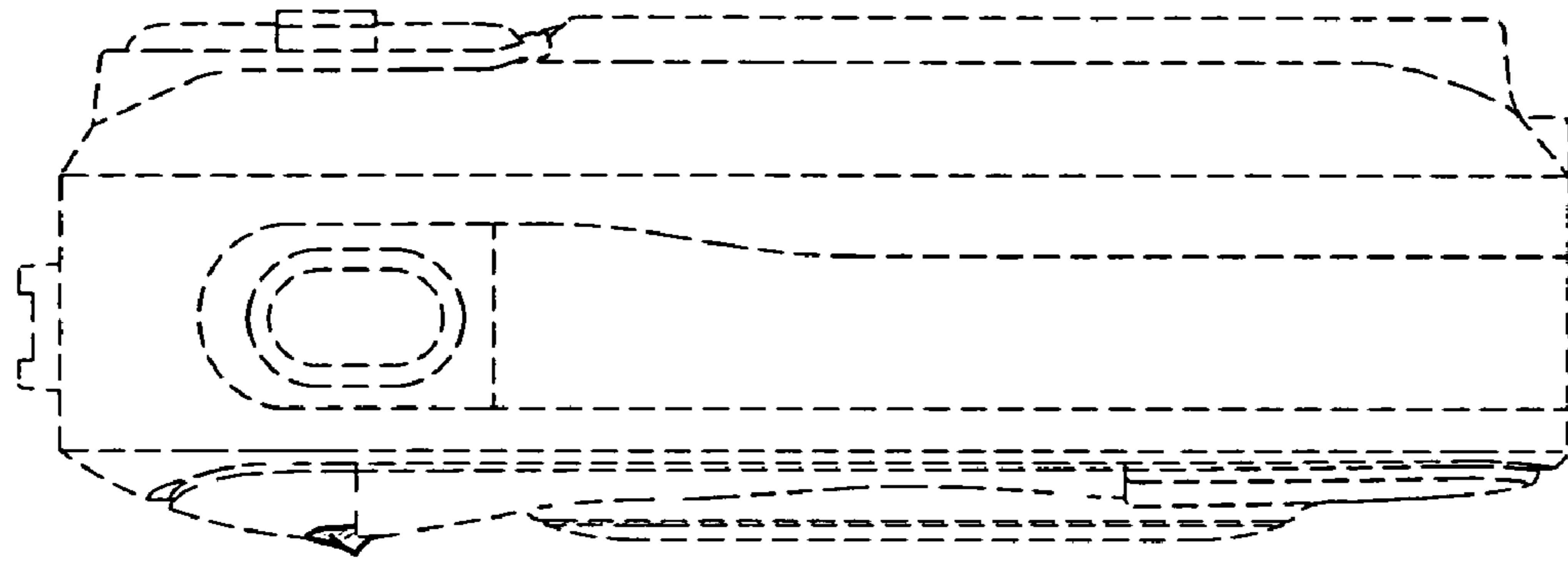


FIG.4

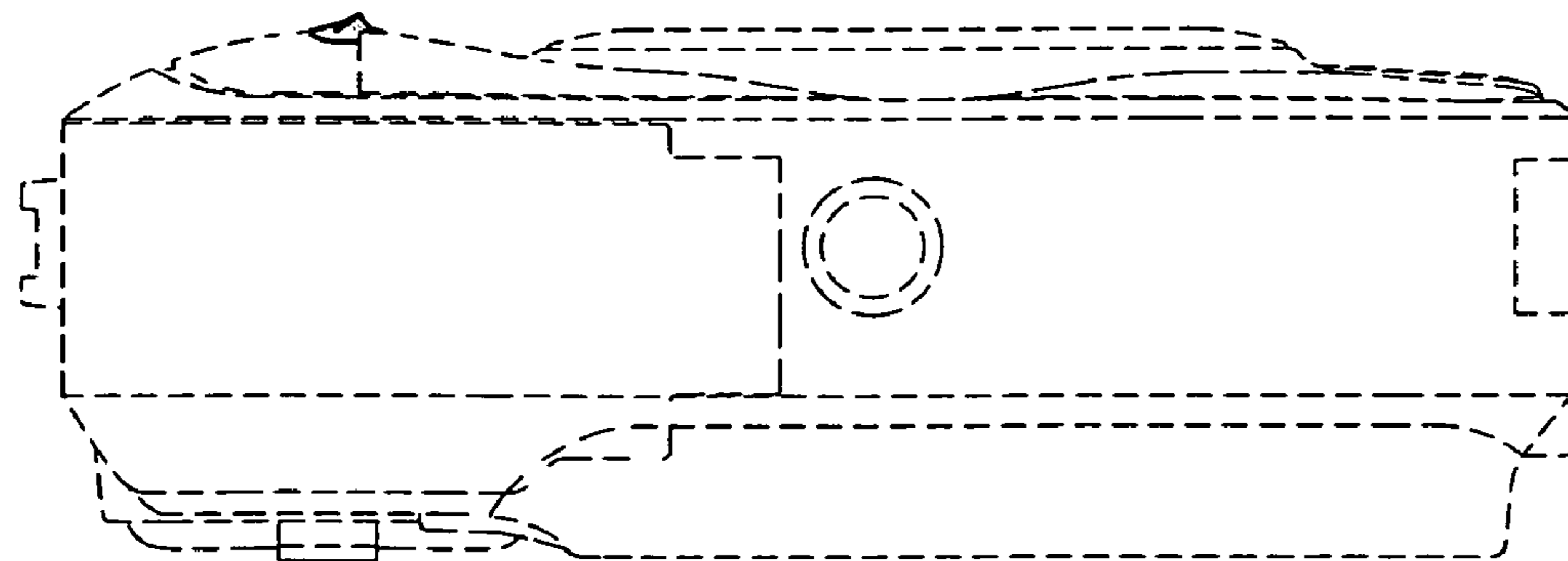


FIG.5

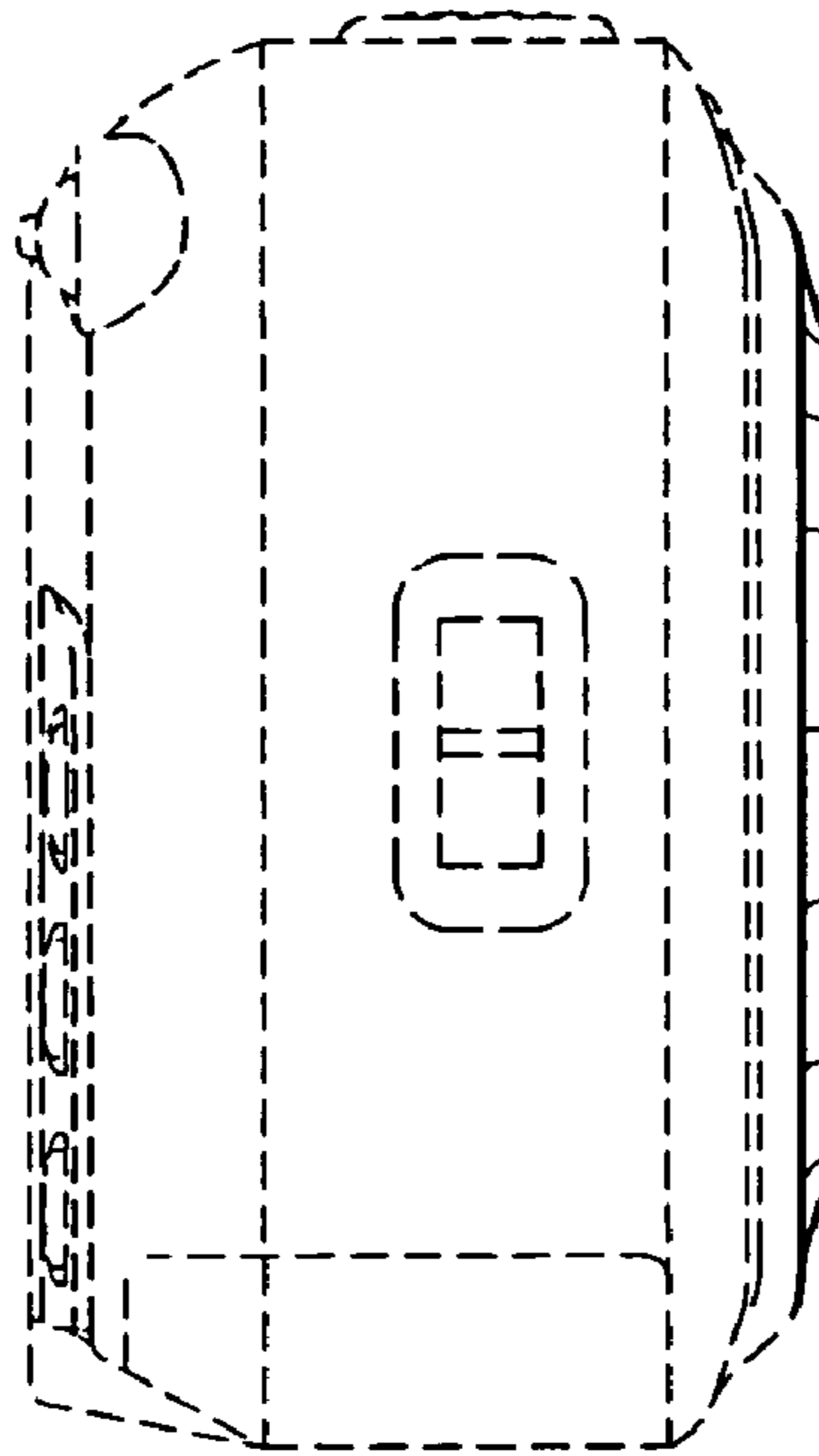


FIG.6

