



US00D558249S

(12) **United States Design Patent**
Hsia

(10) **Patent No.:** **US D558,249 S**

(45) **Date of Patent:** **** Dec. 25, 2007**

(54) **SECURITY CAMERA**

(75) Inventor: **Chorng-Guang Hsia**, Saratoga, CA
(US)

(73) Assignee: **Team Research, Inc.**, San Jose, CA
(US)

(**) Term: **14 Years**

(21) Appl. No.: **29/249,338**

(22) Filed: **Oct. 2, 2006**

(51) **LOC (8) Cl.** **16-01**

(52) **U.S. Cl.** **D16/203**

(58) **Field of Classification Search** D16/200–205,
D16/208, 218; 348/143, 373, 374–376; 396/427,
396/535, 536–541

See application file for complete search history.

(56) **References Cited**

U.S. PATENT DOCUMENTS

D390,244 S *	2/1998	Yamakawa et al.	D16/202
D402,677 S *	12/1998	Hiraguchi	D16/203
D430,587 S *	9/2000	Summit	D16/202
D478,108 S *	8/2003	Miyazaki	D16/202
D487,764 S *	3/2004	Adachi et al.	D16/203

D517,585 S *	3/2006	Iino et al.	D16/203
7,202,904 B2 *	4/2007	Wei	348/373
D550,738 S *	9/2007	Hsia et al.	D16/203

* cited by examiner

Primary Examiner—Adir Aronovich

(74) *Attorney, Agent, or Firm*—Roger Chu

(57) **CLAIM**

The ornamental design of a security camera, as shown and described.

DESCRIPTION

FIG. 1 is a front and right side perspective view of a security camera showing my new design;

FIG. 2 is a rear and left side perspective view thereof;

FIG. 3 is a right side elevational view thereof;

FIG. 4 is a left side elevational view thereof;

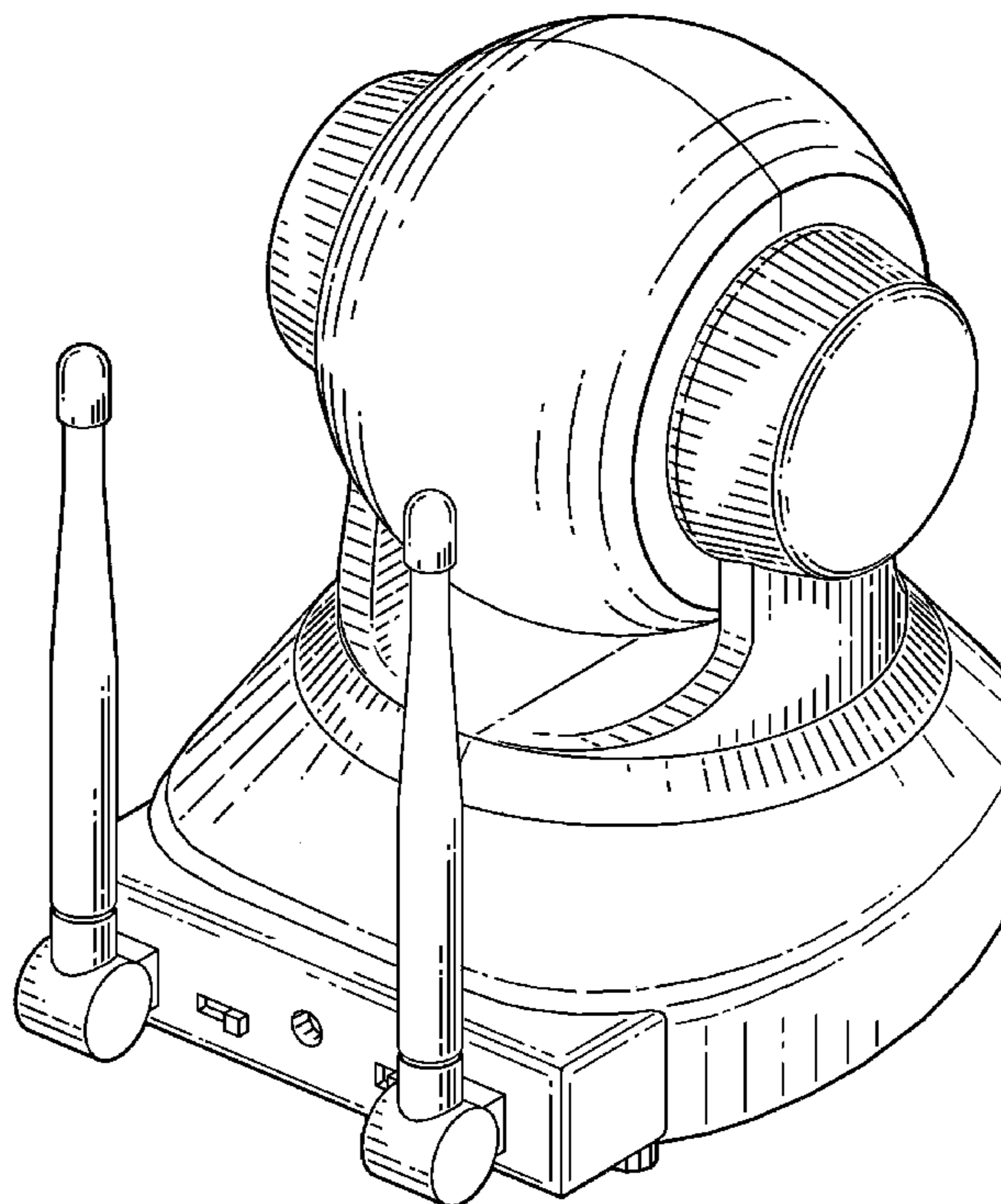
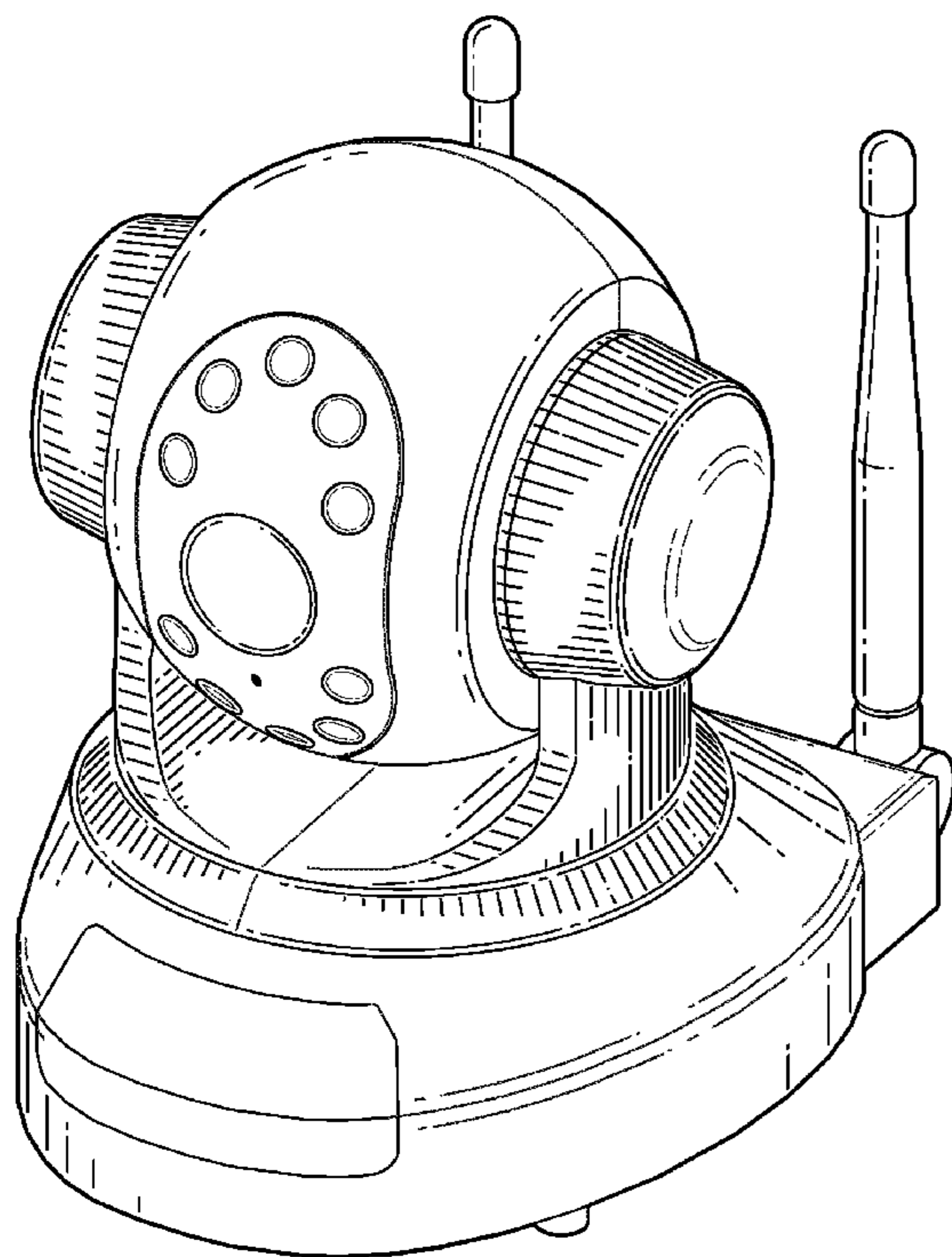
FIG. 5 is a front elevational view thereof;

FIG. 6 is a rear elevational view thereof;

FIG. 7 is a top plan view thereof; and,

FIG. 8 is a bottom plan view thereof.

1 Claim, 8 Drawing Sheets



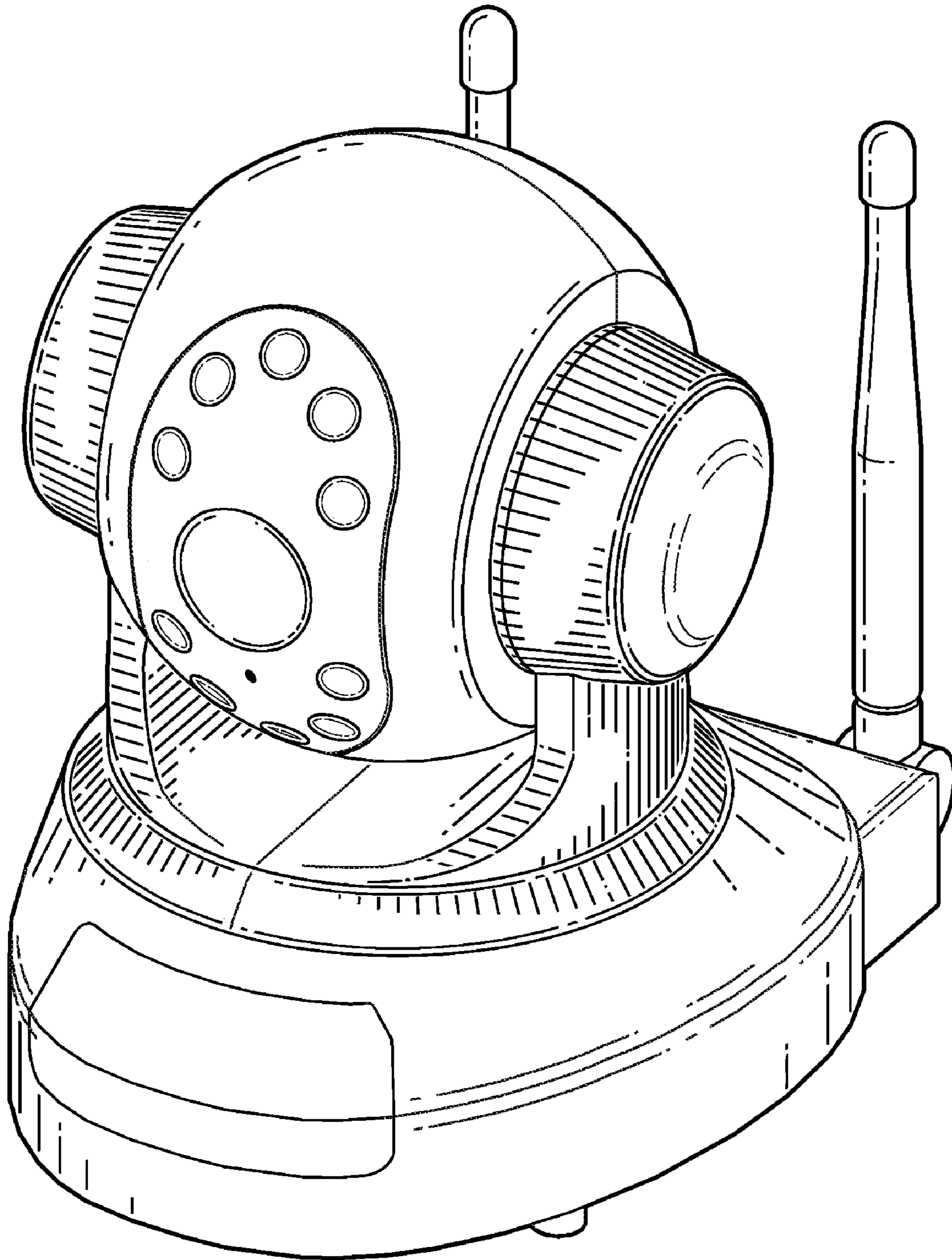


FIG. 1

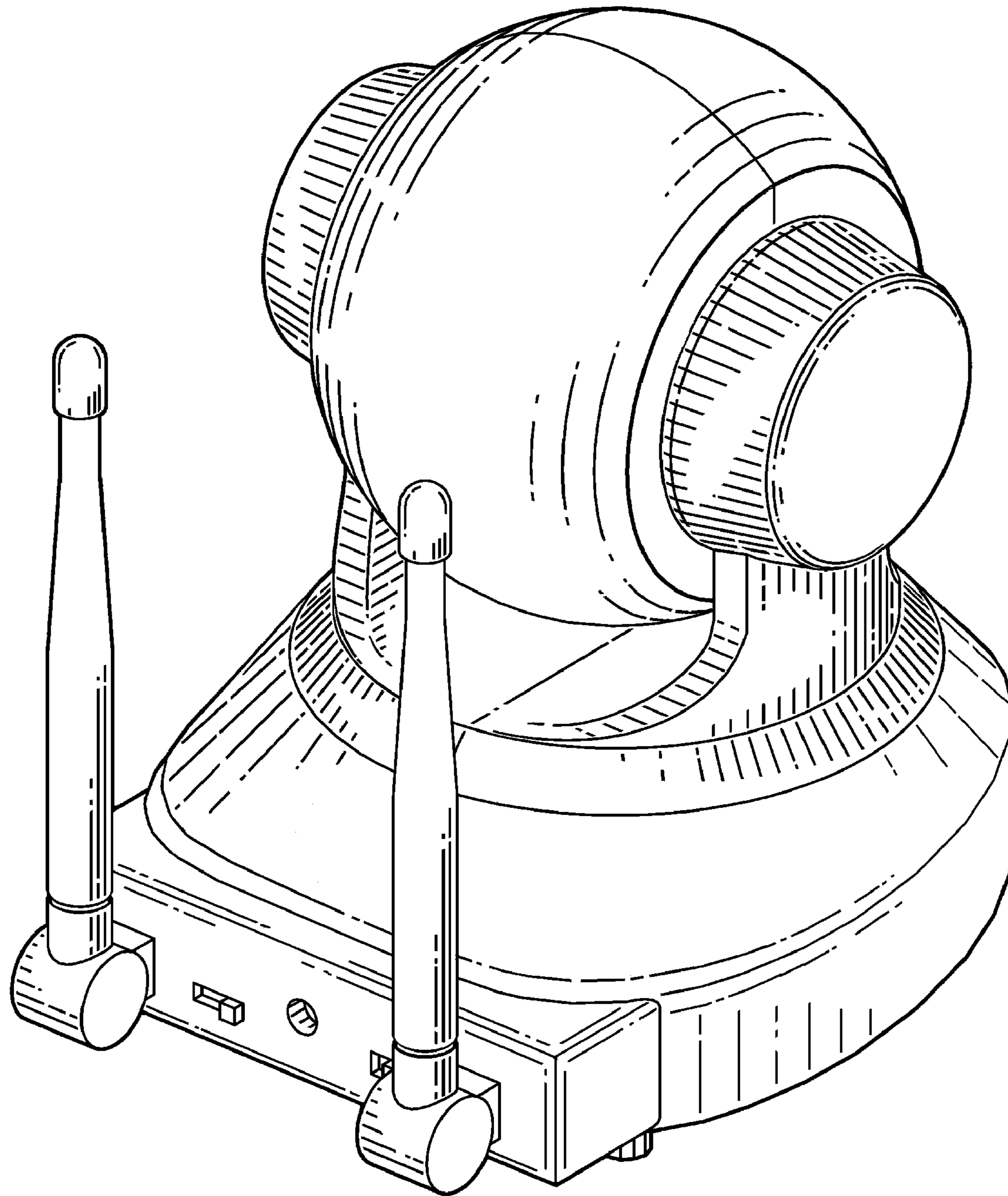


FIG. 2

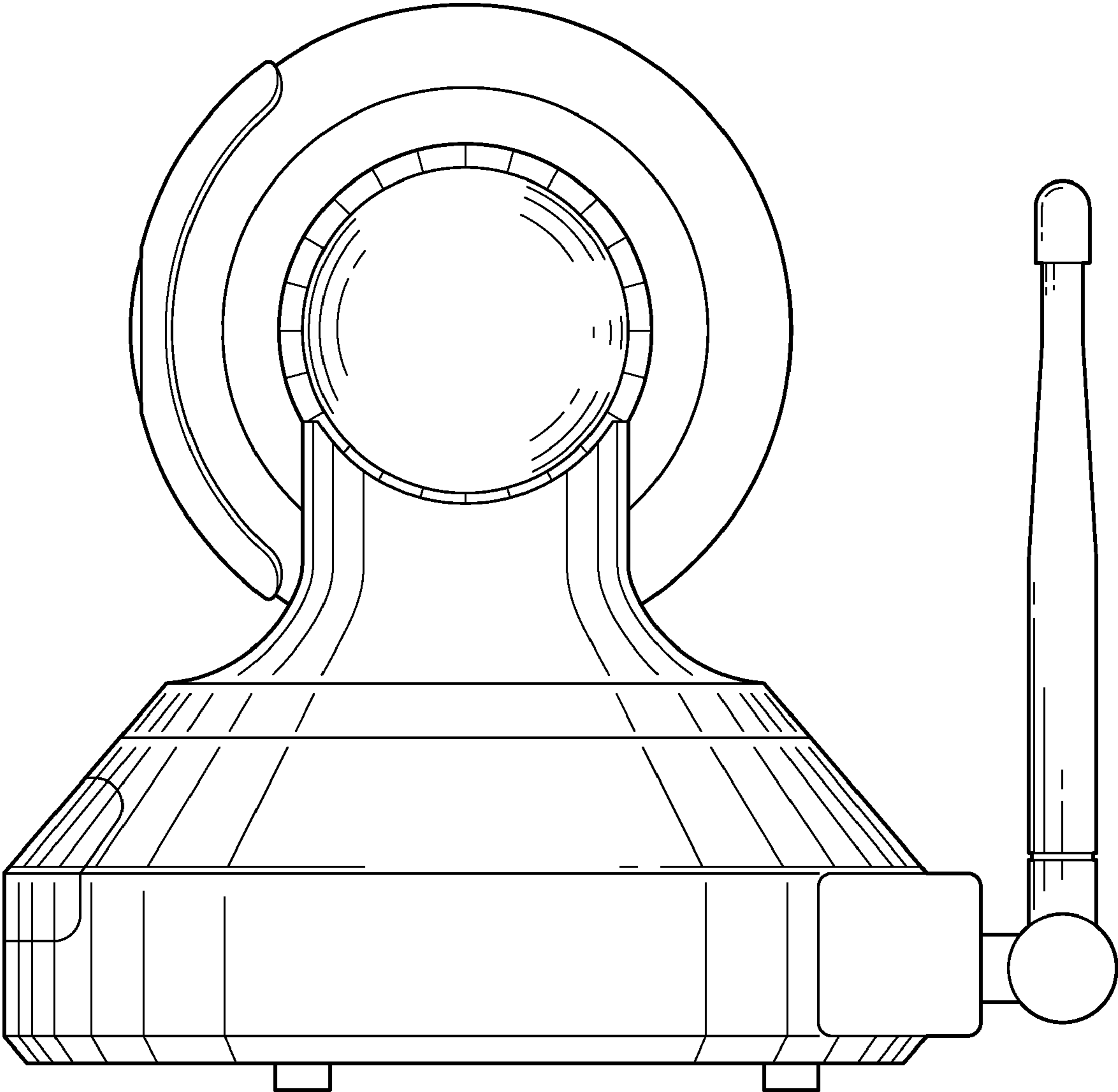


FIG. 3

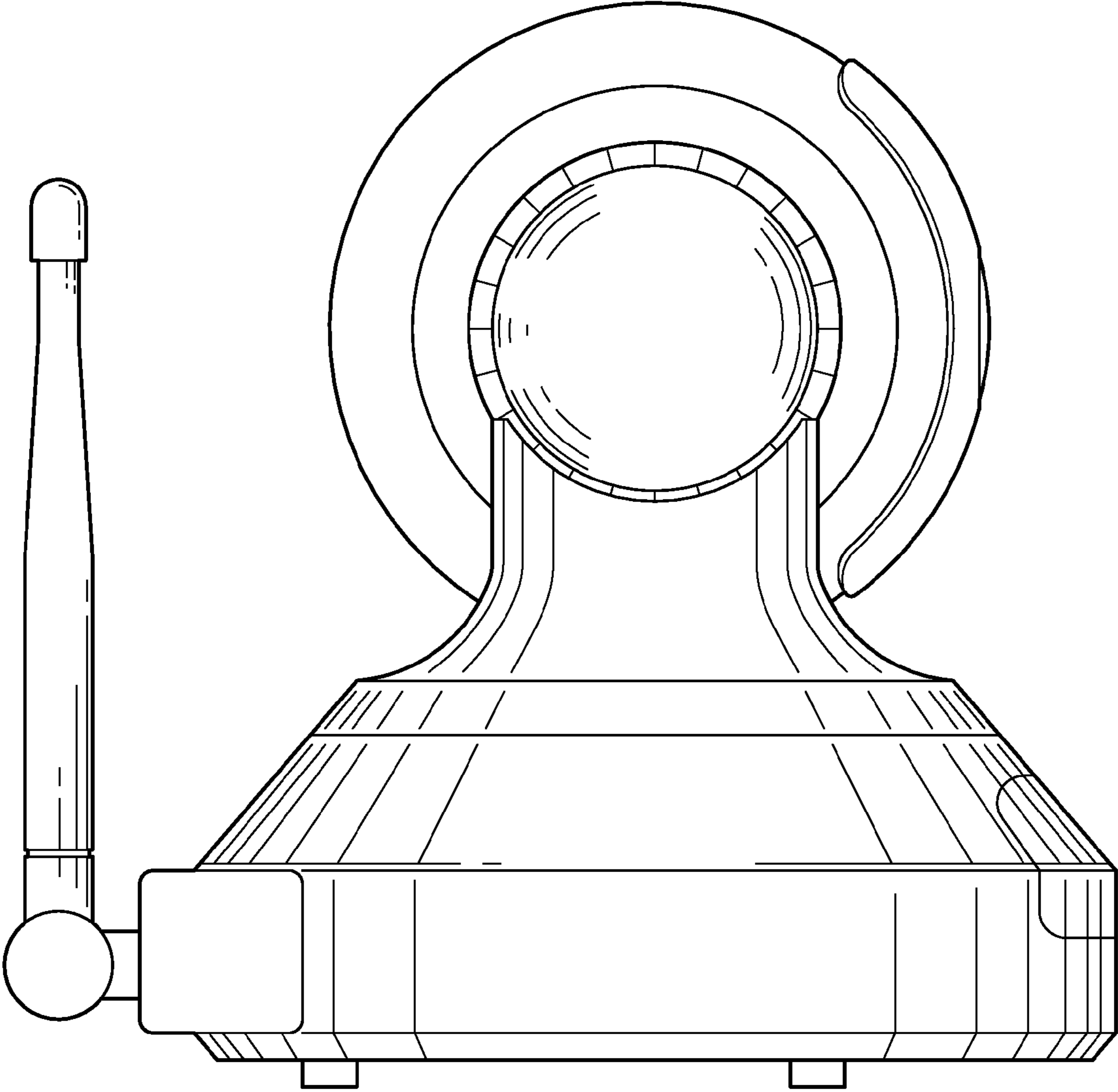


FIG. 4

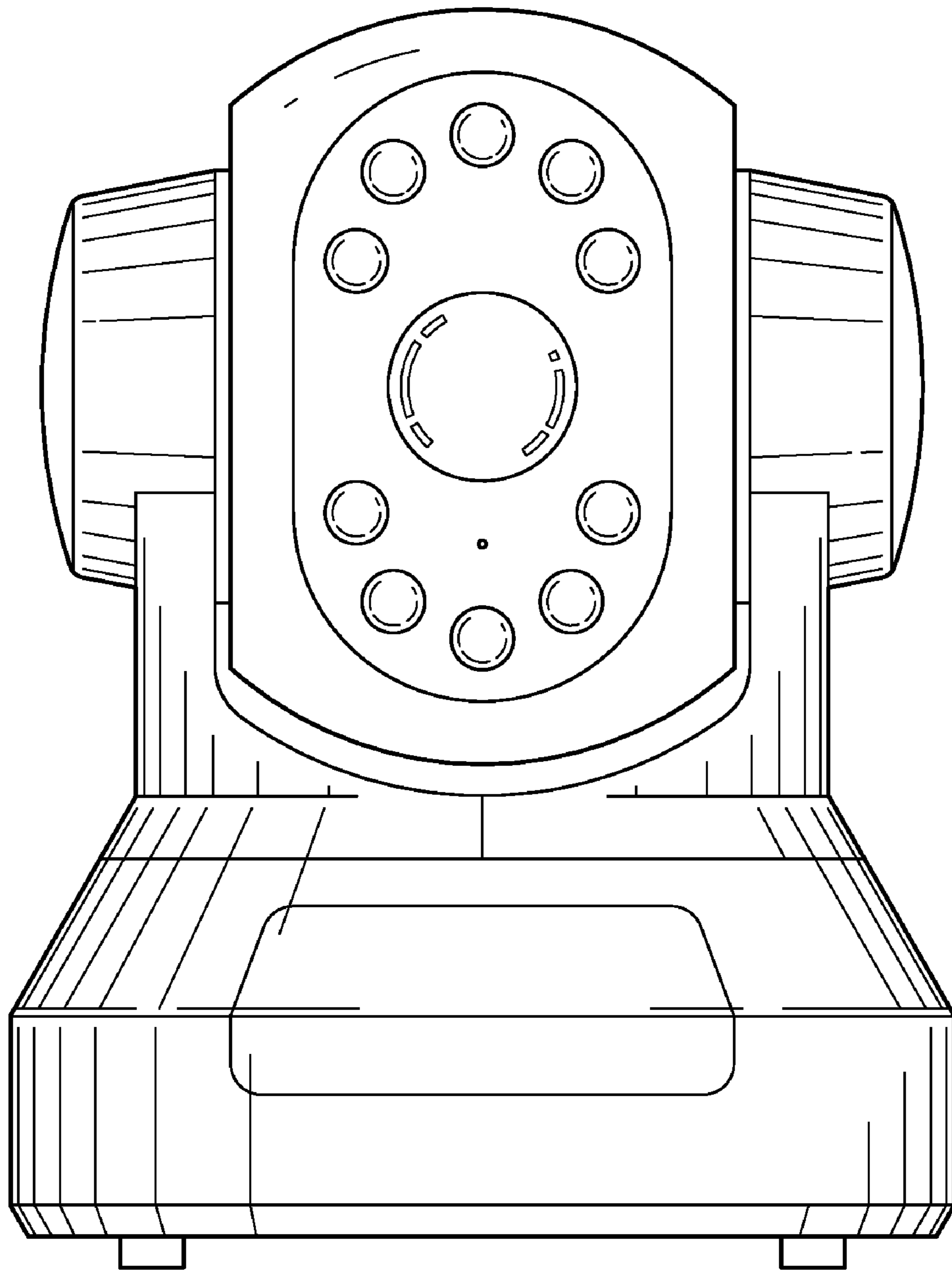


FIG. 5

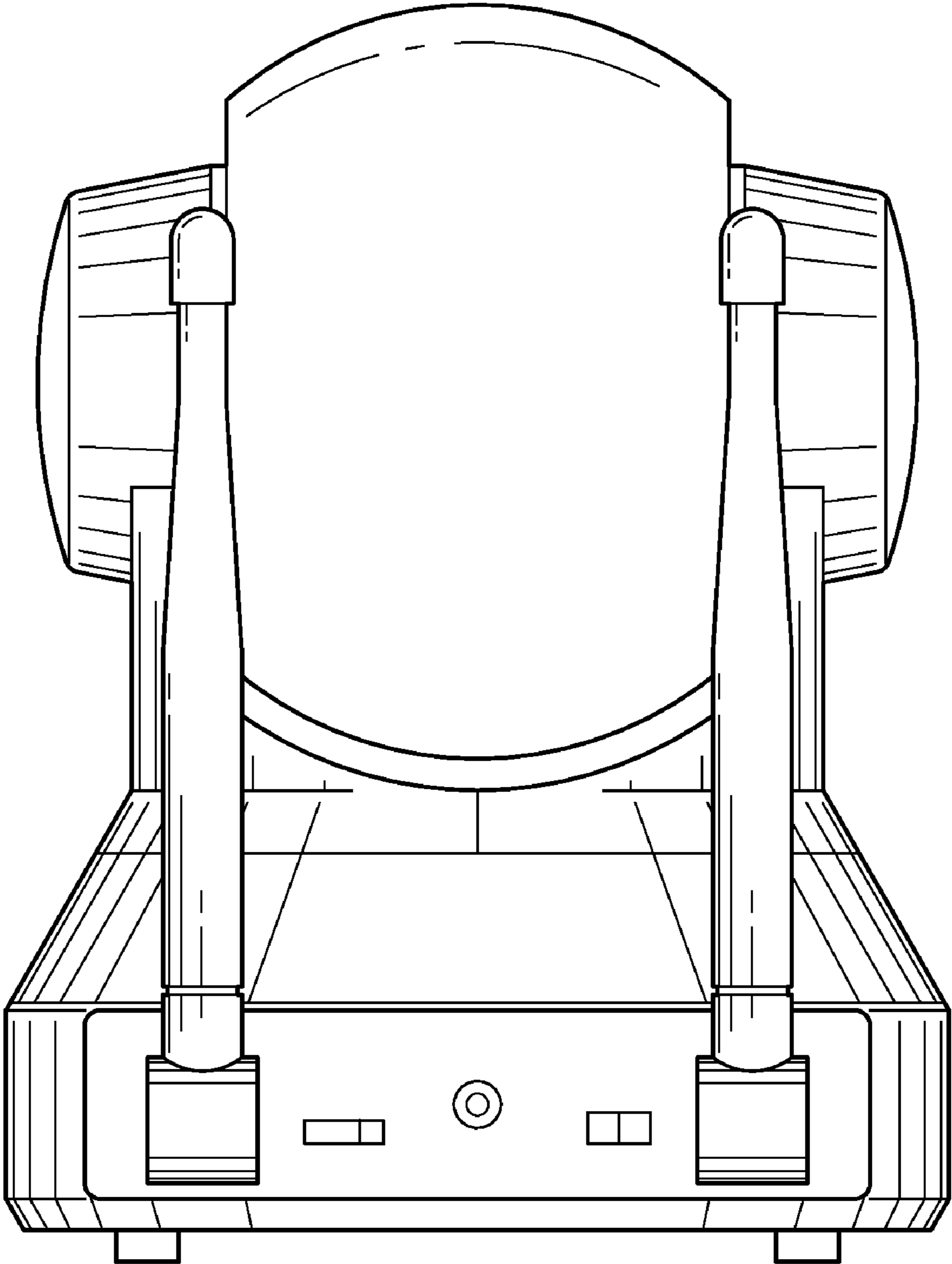


FIG. 6

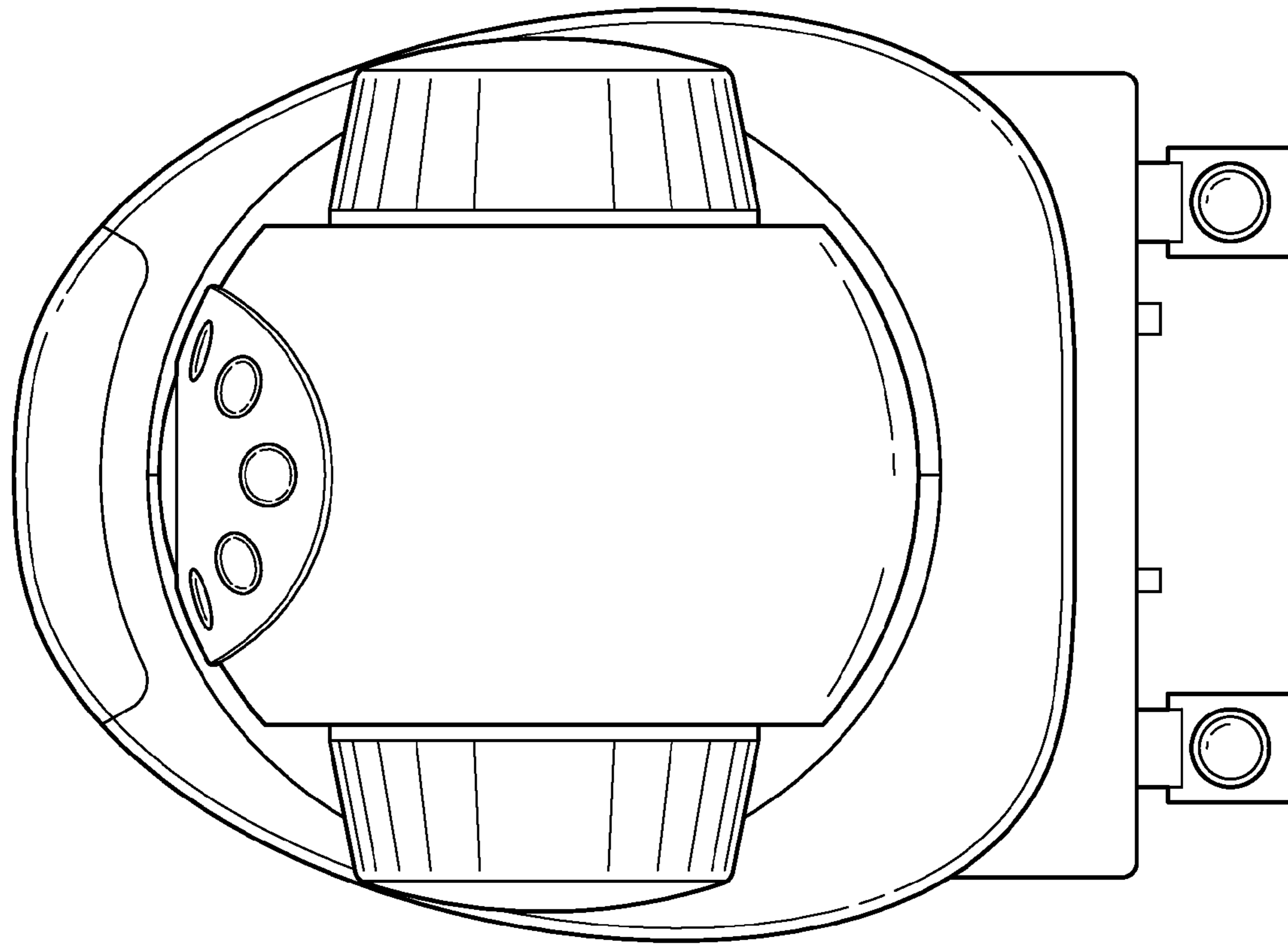


FIG. 7

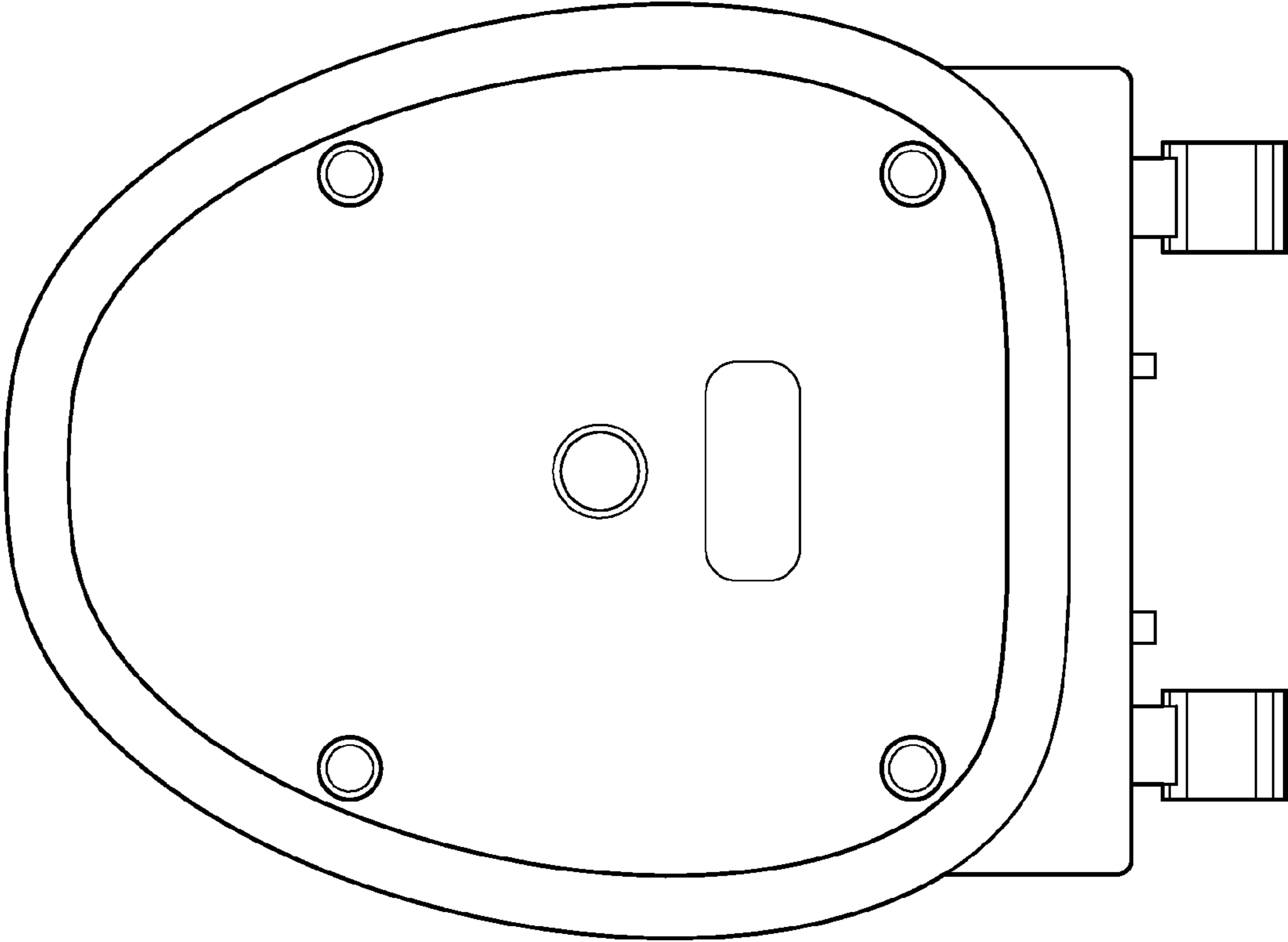


FIG. 8