



US00D558248S

(12) **United States Design Patent**
Togawa et al.

(10) **Patent No.:** **US D558,248 S**

(45) **Date of Patent:** **** Dec. 25, 2007**

(54) **SURVEILLANCE TELEVISION CAMERA**

(75) Inventors: **Eiji Togawa**, Nagoya (JP); **Tetsuro Kato**, Nagoya (JP)

(73) Assignee: **Elmo Co., Ltd.**, Aichi (JP)

(**) Term: **14 Years**

(21) Appl. No.: **29/239,536**

(22) Filed: **Sep. 30, 2005**

(51) **LOC (8) Cl.** **16-01**

(52) **U.S. Cl.** **D16/203**

(58) **Field of Classification Search** D16/200–204,
D16/208, 218, 219; 348/143, 151, 373–376;
396/427, 535, 536–541

See application file for complete search history.

(56) **References Cited**

U.S. PATENT DOCUMENTS

6,268,882	B1 *	7/2001	Elberbaum	348/143
6,525,766	B1 *	2/2003	Ikoma et al.	348/151
6,678,001	B1 *	1/2004	Elberbaum	348/373
6,715,940	B2 *	4/2004	Top et al.	396/427
D494,992	S *	8/2004	Seo	D16/203

D497,927	S *	11/2004	Arbuckle et al.	D16/203
D501,863	S *	2/2005	Nagai	D16/203
D513,028	S *	12/2005	Maruyama	D16/203

* cited by examiner

Primary Examiner—Adir Aronovich

(74) *Attorney, Agent, or Firm*—Koda & Androlia

(57) **CLAIM**

The ornamental design for a surveillance television camera, as shown and described.

DESCRIPTION

FIG. 1 is a front elevational view of the surveillance television camera showing our new design;

FIG. 2 is a rear elevational view thereof;

FIG. 3 is a top plan view thereof;

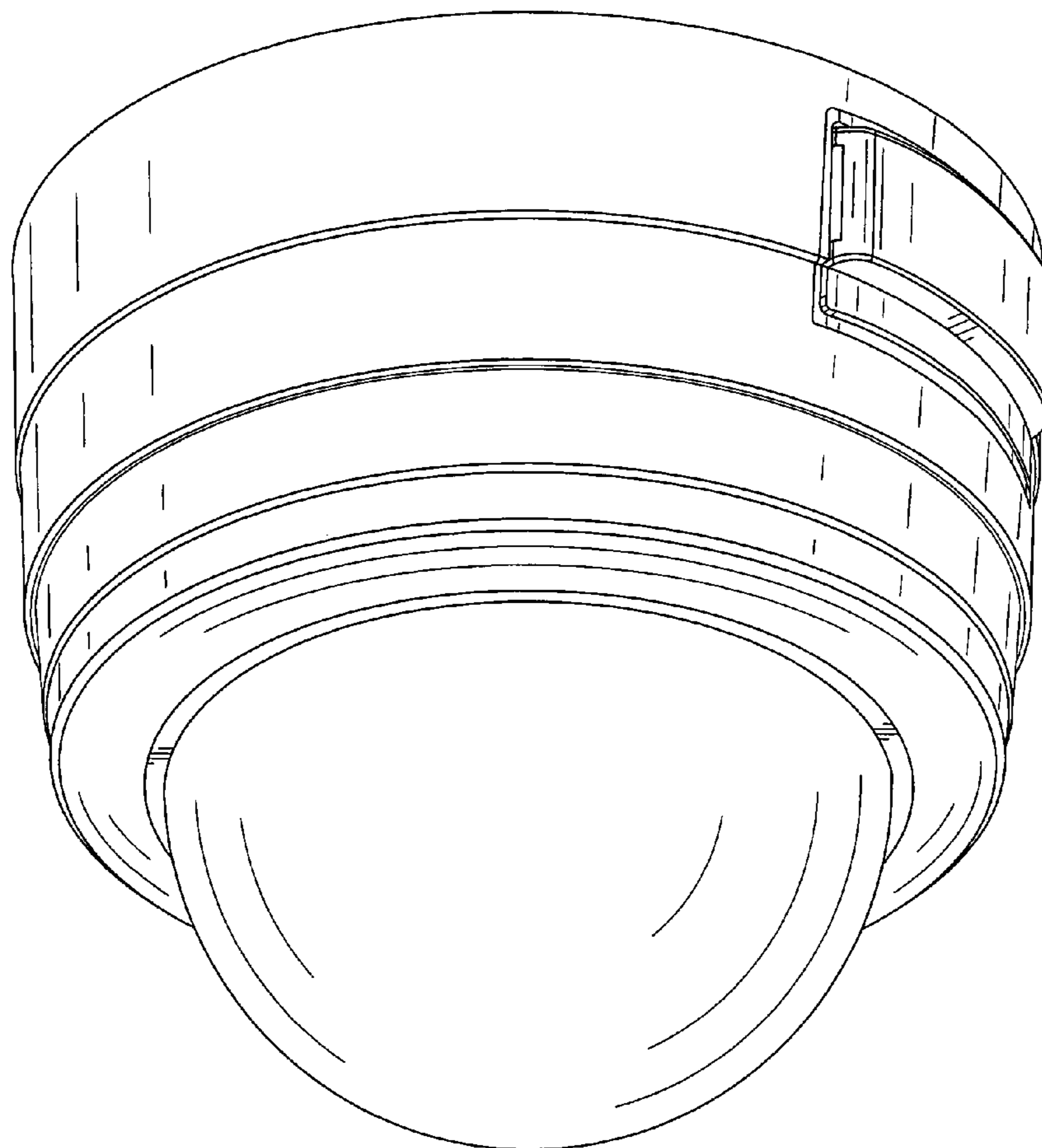
FIG. 4 is a bottom plan view thereof;

FIG. 5 is a right side elevational view thereof;

FIG. 6 is a left side elevational view thereof; and,

FIG. 7 is a perspective view taken from the front, bottom and right side of the surveillance television camera.

1 Claim, 7 Drawing Sheets



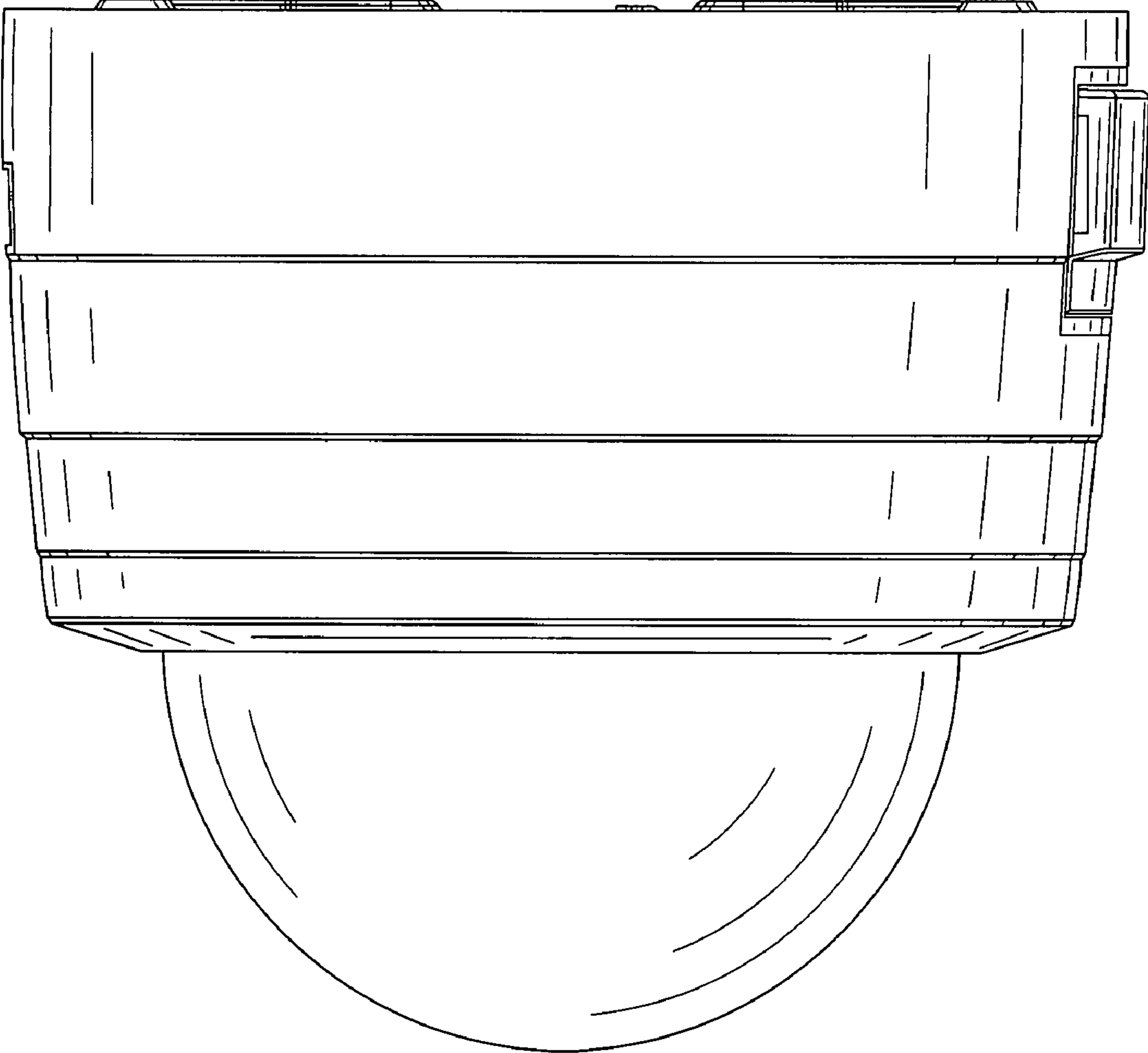


FIG. 1

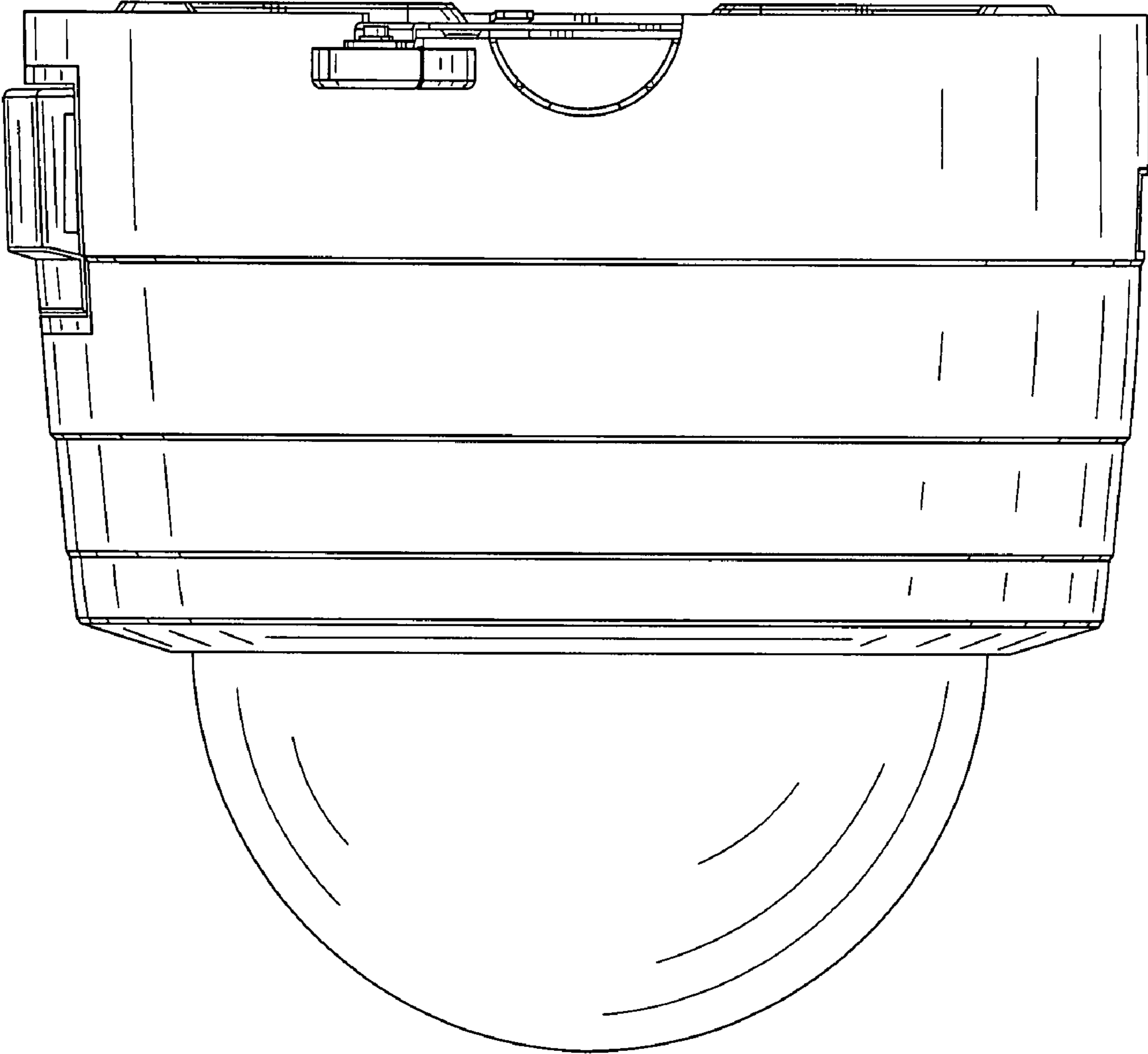


FIG. 2

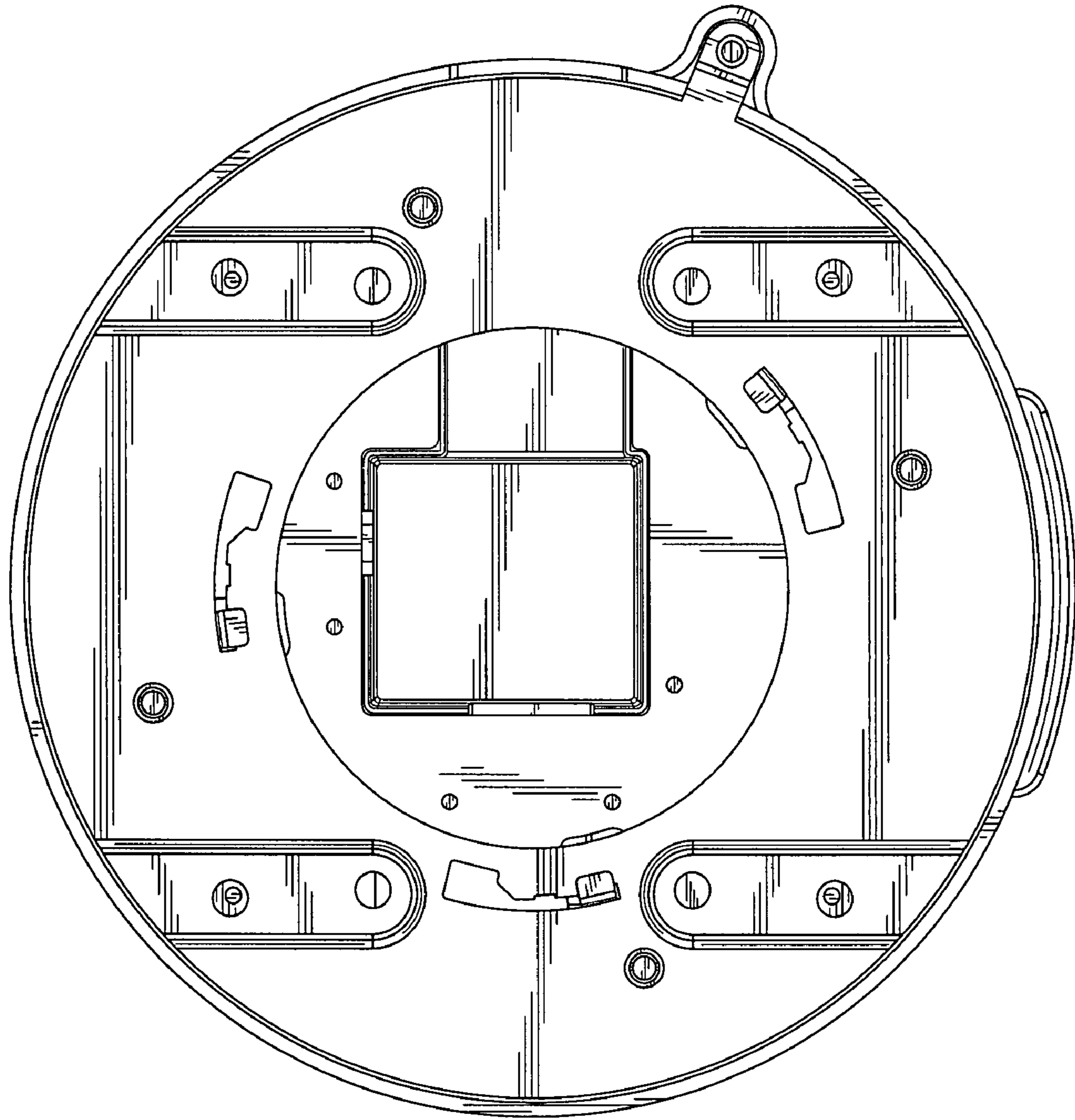


FIG. 3

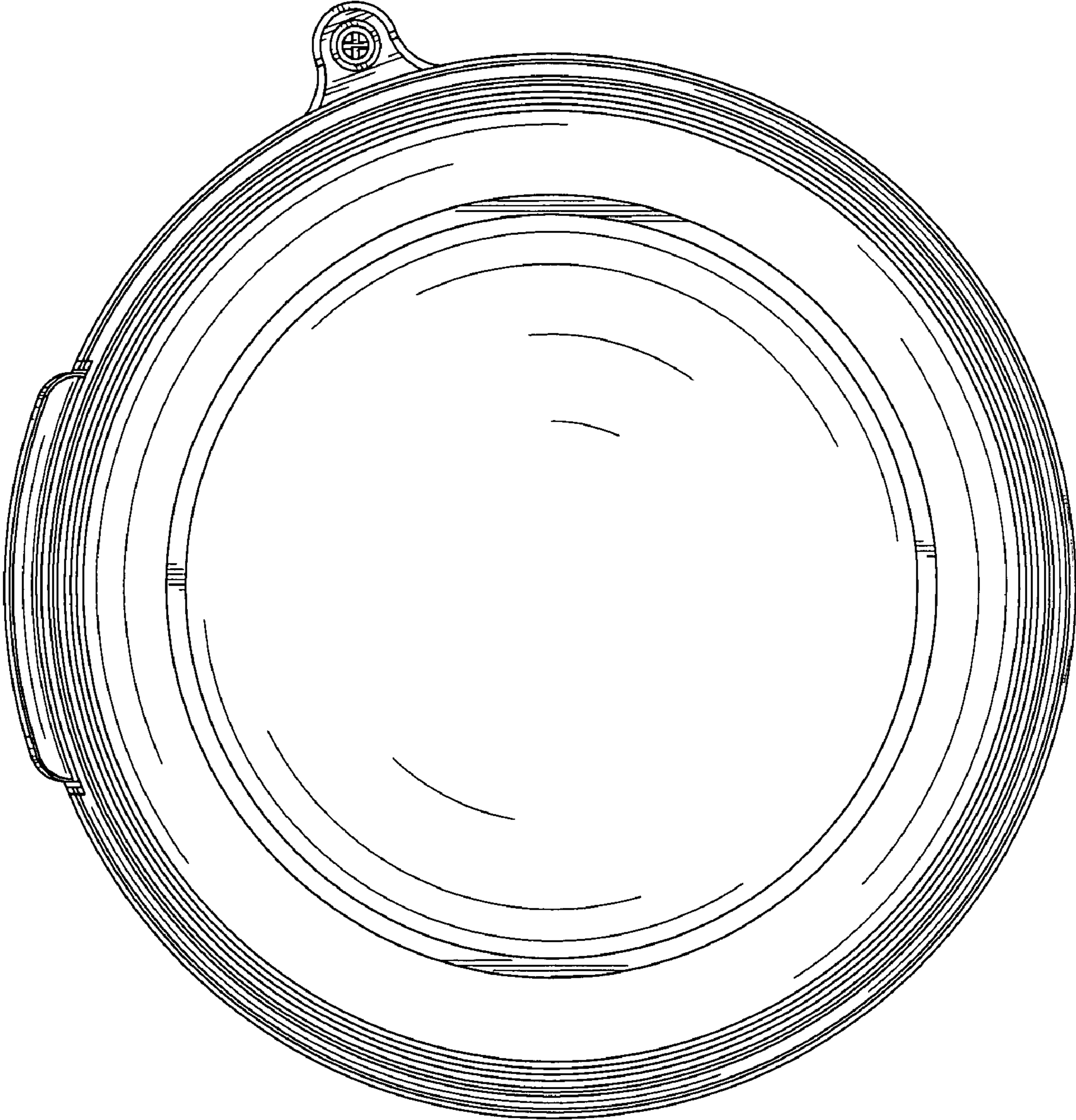


FIG. 4

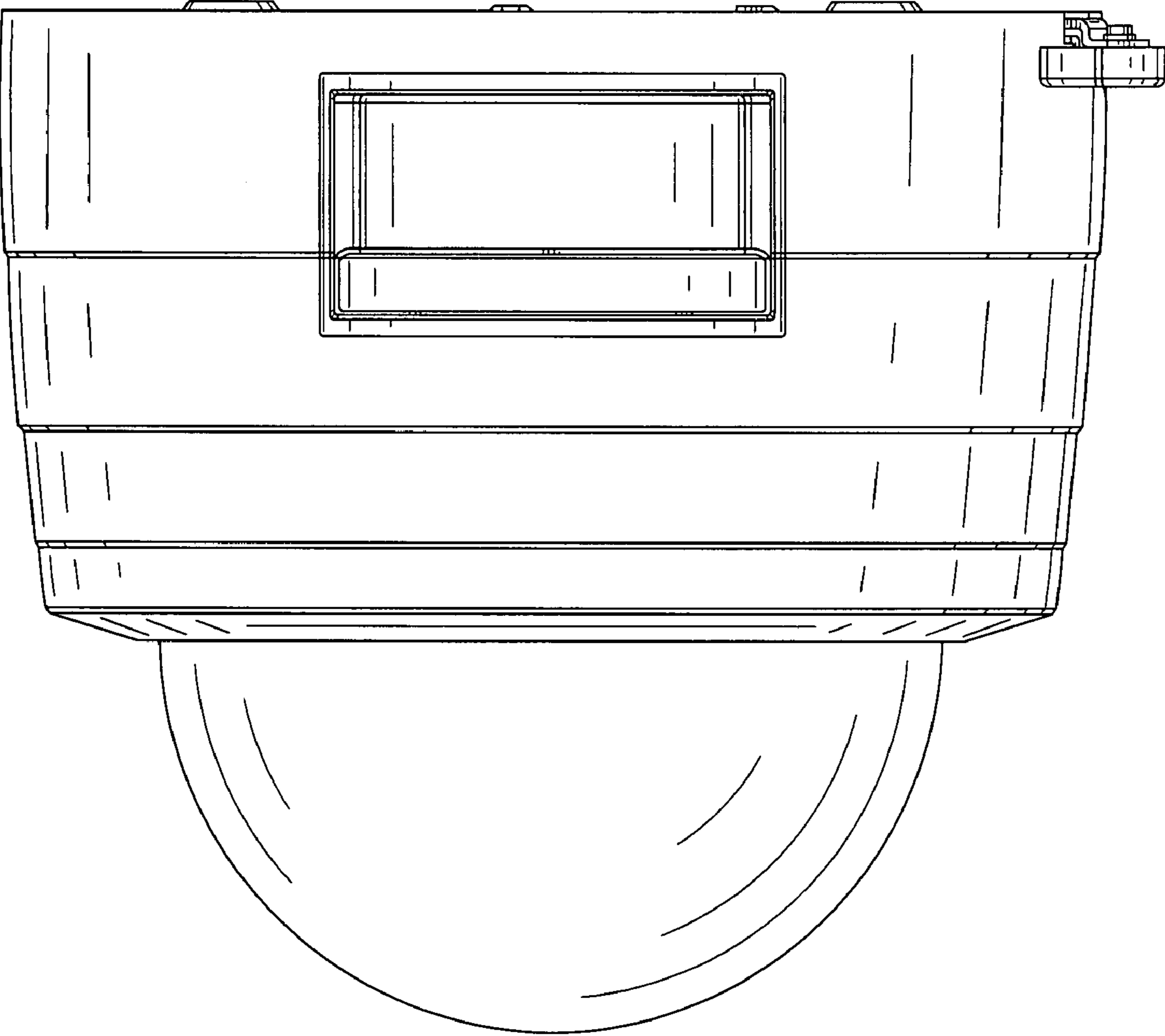


FIG. 5

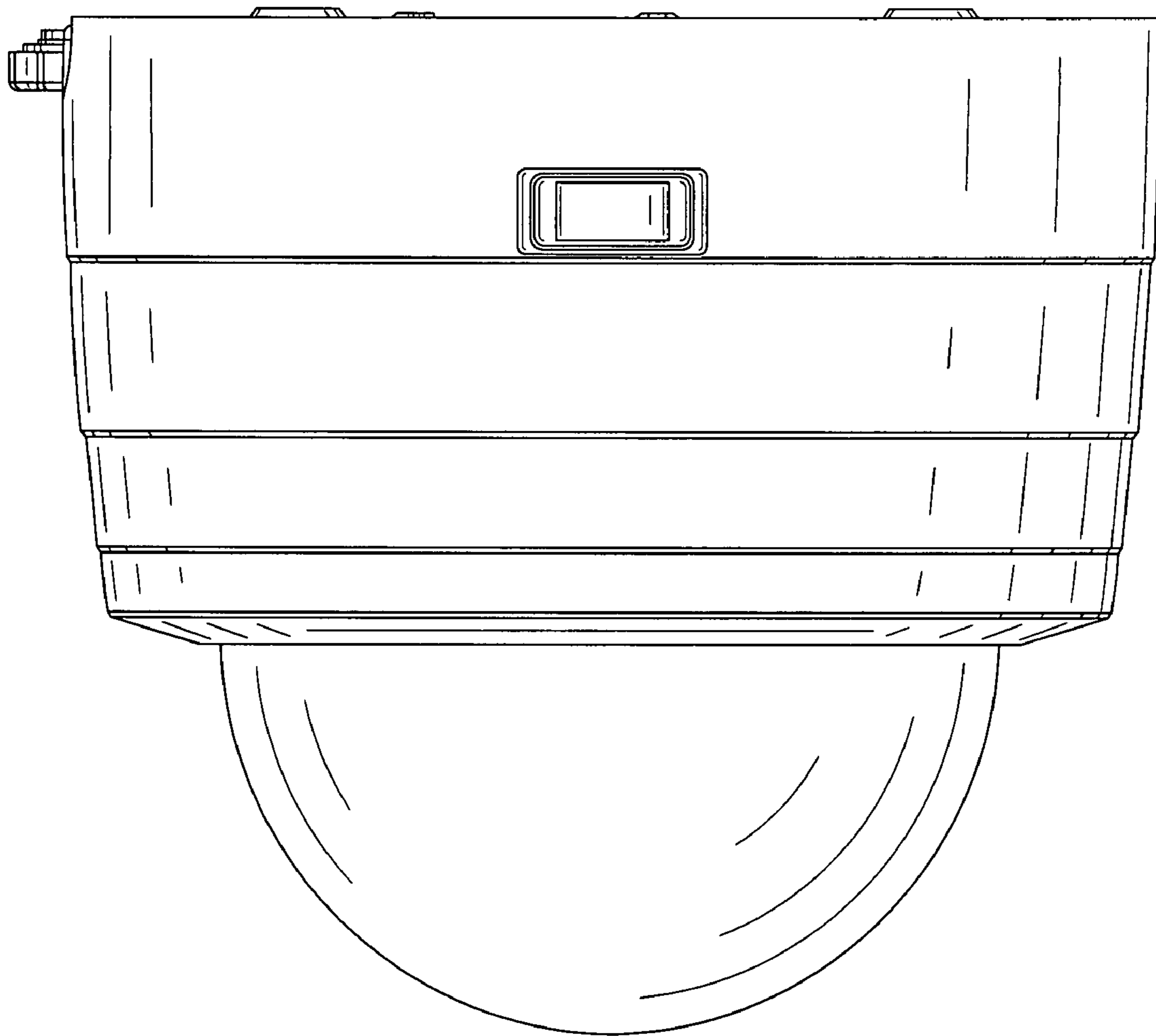


FIG. 6

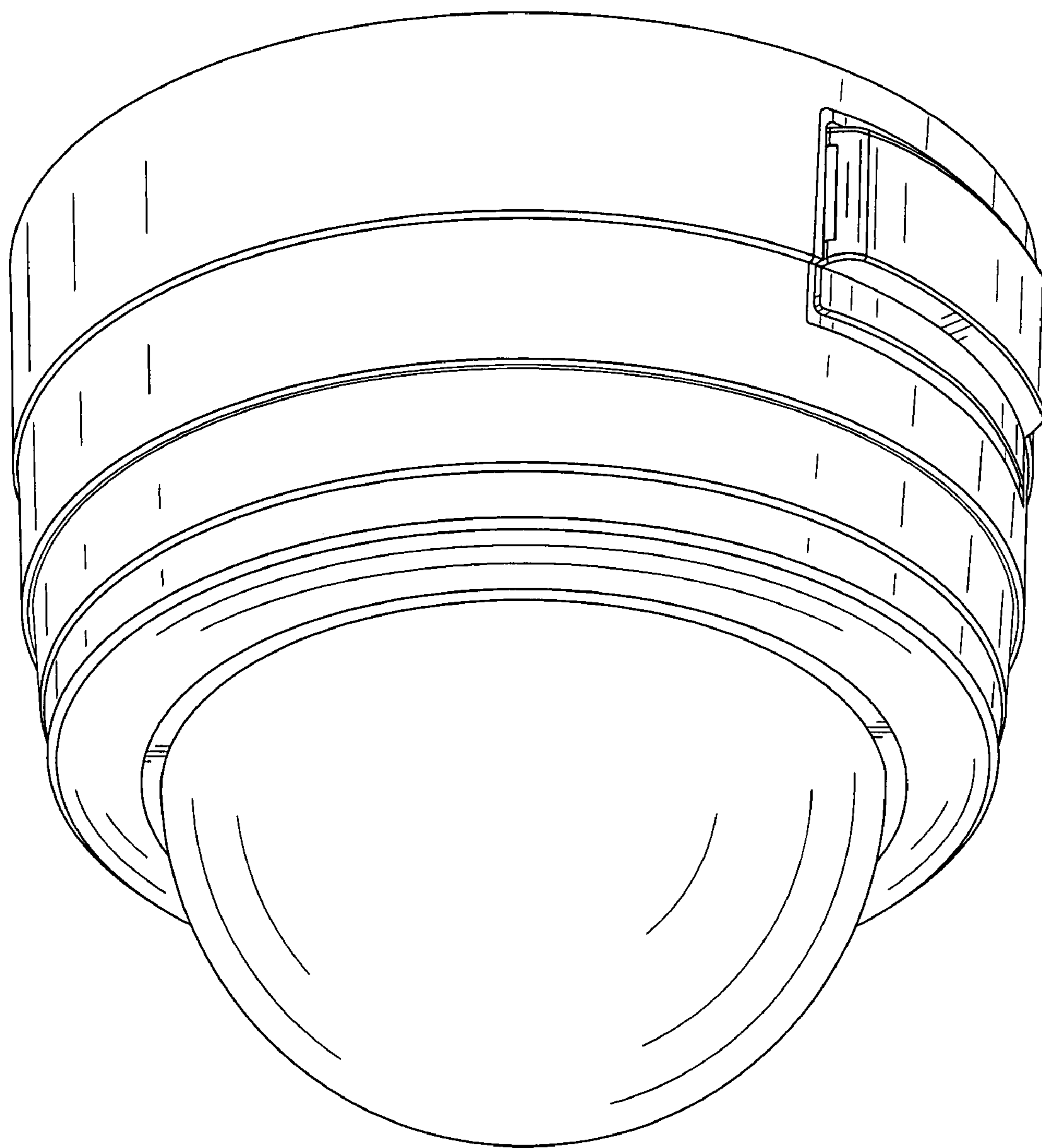


FIG. 7