



US00D558246S

(12) **United States Design Patent**  
**Hayamizu**

(10) **Patent No.:** **US D558,246 S**

(45) **Date of Patent:** **\*\* Dec. 25, 2007**

(54) **DIGITAL CAMERA**

(75) Inventor: **Eiji Hayamizu**, Tokyo (JP)

(73) Assignee: **PENTAX Corporation**, Tokyo (JP)

(\*\*) Term: **14 Years**

(21) Appl. No.: **29/262,029**

(22) Filed: **Jun. 26, 2006**

(30) **Foreign Application Priority Data**

Dec. 27, 2005 (JP) ..... 2005-038165

(51) **LOC (8) Cl.** ..... **16-01**

(52) **U.S. Cl.** ..... **D16/202**

(58) **Field of Classification Search** ..... D16/200–204,  
D16/208, 218; 348/373–376; 358/906;  
396/535–541

See application file for complete search history.

(56) **References Cited**

**U.S. PATENT DOCUMENTS**

D496,380 S *	9/2004	Isomoto	.....	D16/202
D502,479 S *	3/2005	Nishizawa et al.	.....	D16/202
D516,599 S *	3/2006	Nakamura	.....	D16/202
D523,456 S *	6/2006	Chang	.....	D16/202
D533,574 S *	12/2006	Hamamura	.....	D16/202
D535,314 S *	1/2007	Chang	.....	D16/202
2006/0088315 A1 *	4/2006	Kappali et al.	.....	396/535

**FOREIGN PATENT DOCUMENTS**

JP 1214371 S 7/2004

**OTHER PUBLICATIONS**

Article related to the Design “Digital Camera”.

\* cited by examiner

*Primary Examiner*—Adir Aronovich

(74) *Attorney, Agent, or Firm*—Sughrue Mion, PLLC

(57) **CLAIM**

The ornamental design for a digital camera, as shown and described.

**DESCRIPTION**

FIG. 1 is a perspective view of the top, front and left side of a digital camera showing my new design;

FIG. 2 is a top plan view thereof;

FIG. 3 is a front elevational view thereof;

FIG. 4 is a left side elevational view thereof;

FIG. 5 is a right side elevational view thereof;

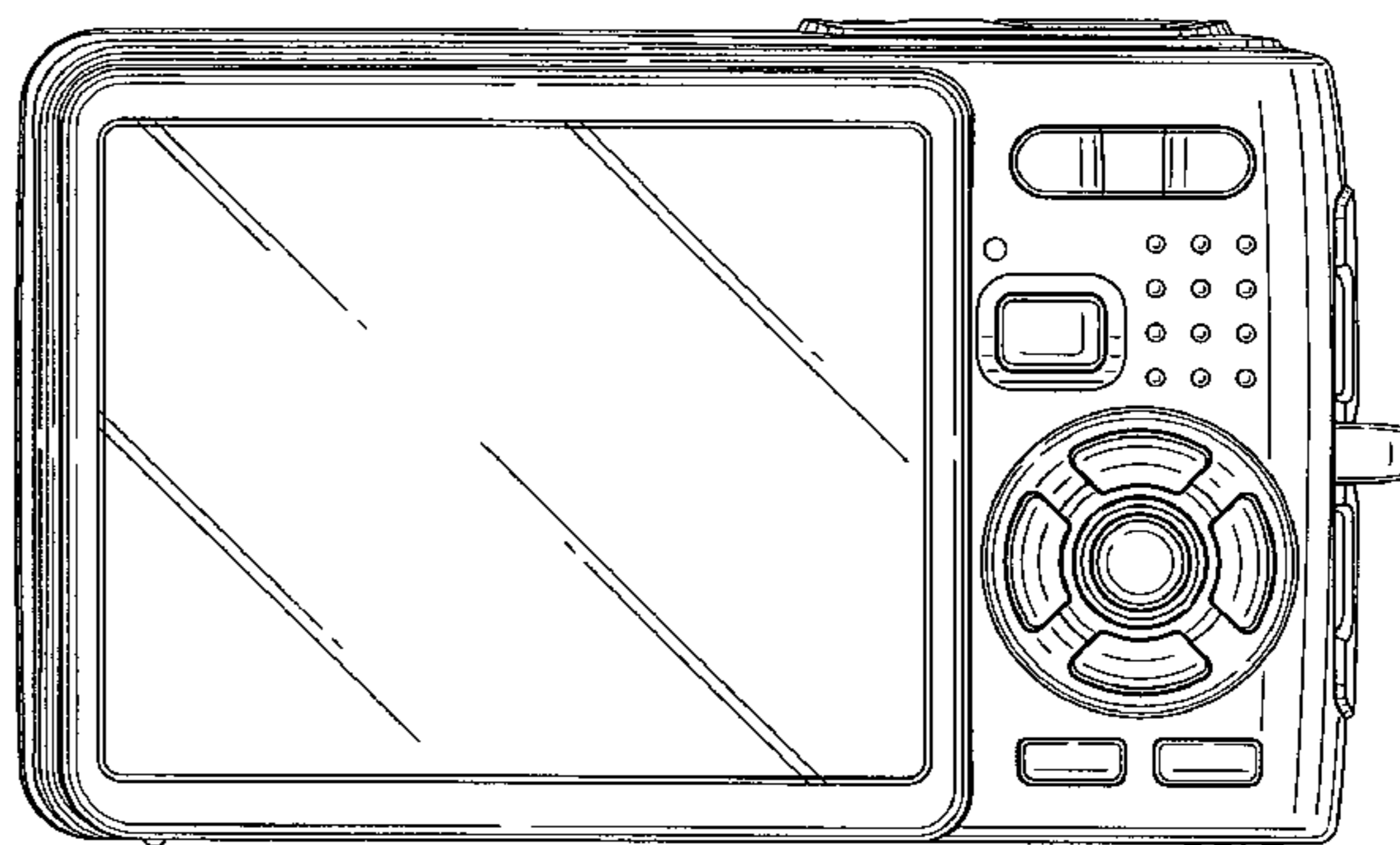
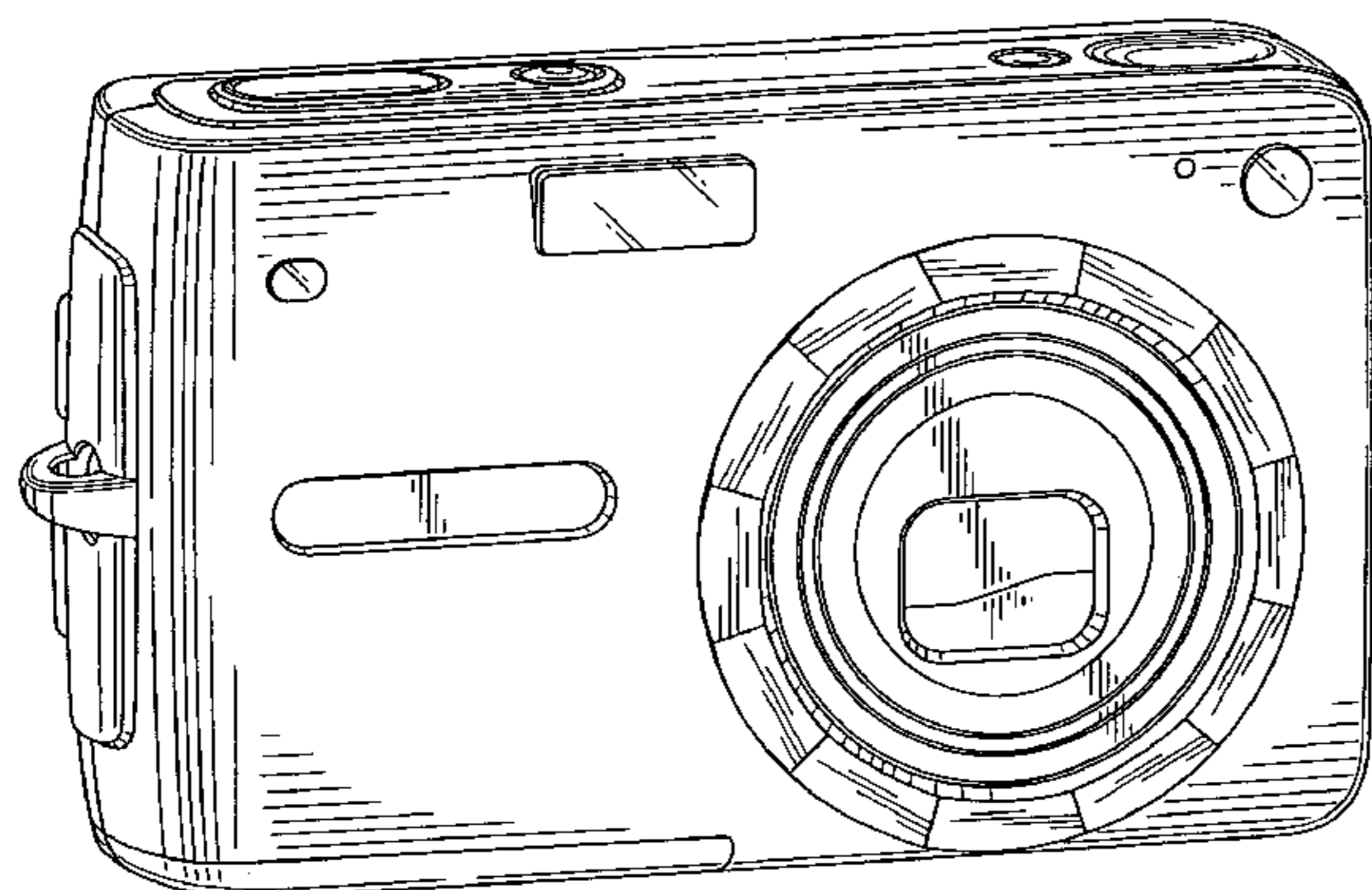
FIG. 6 is a rear elevational view thereof;

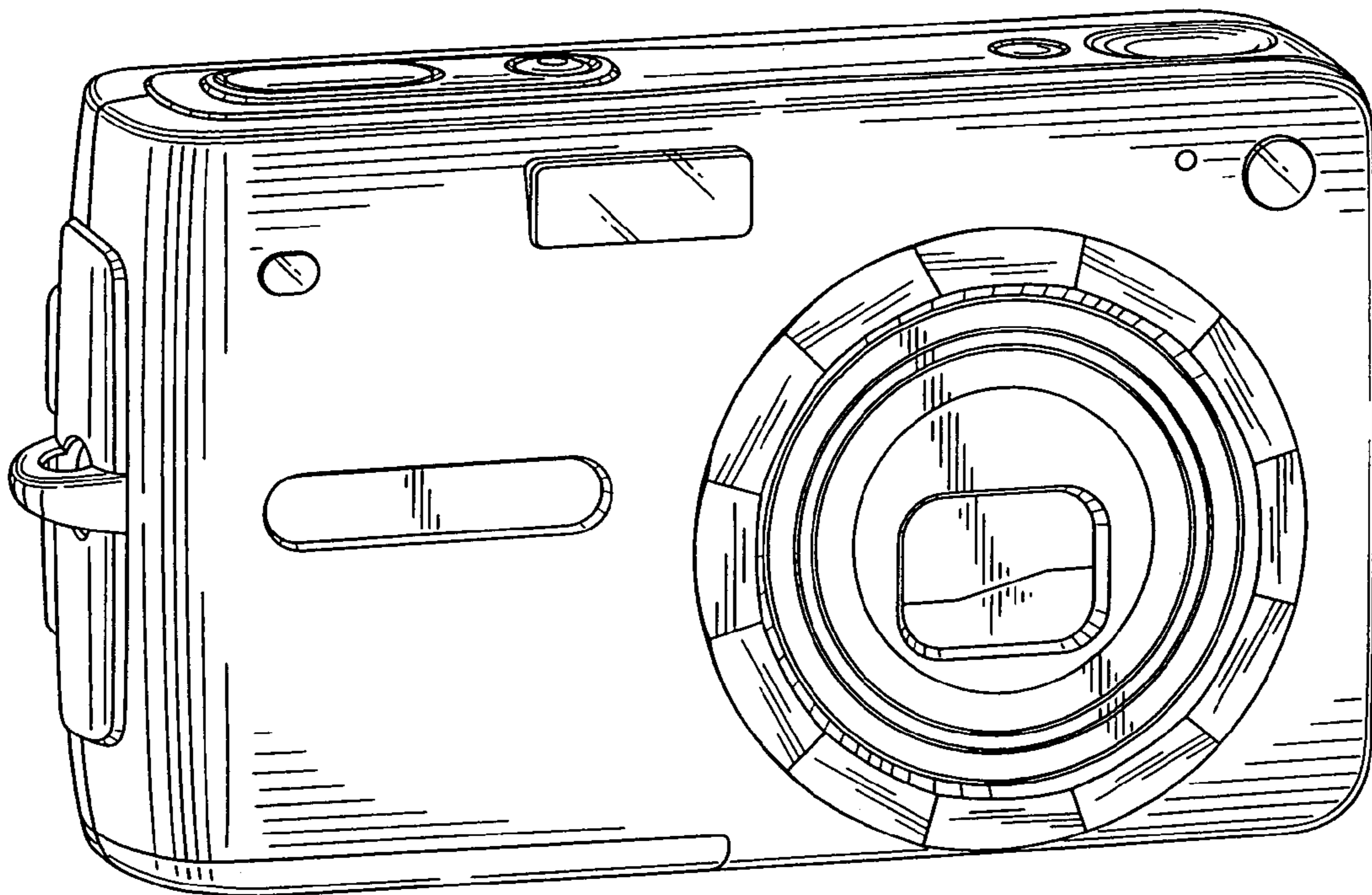
FIG. 7 is a bottom plan view thereof;

FIG. 8 is a right side elevational reference view thereof showing a fully extended position of a lens; and,

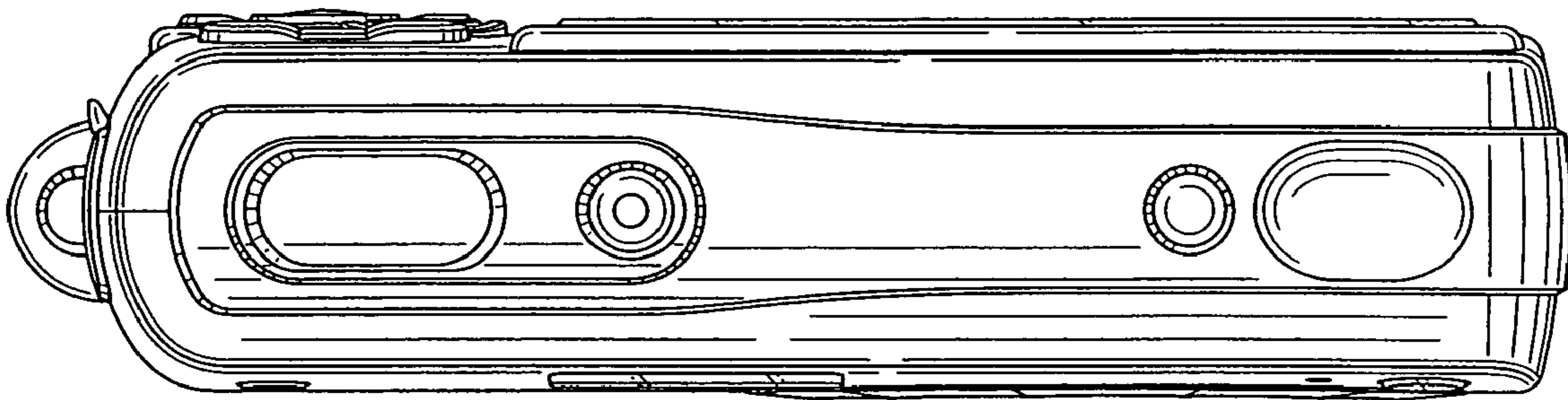
FIG. 9 is a top plan reference view thereof showing a fully extended position of the lens.

**1 Claim, 6 Drawing Sheets**

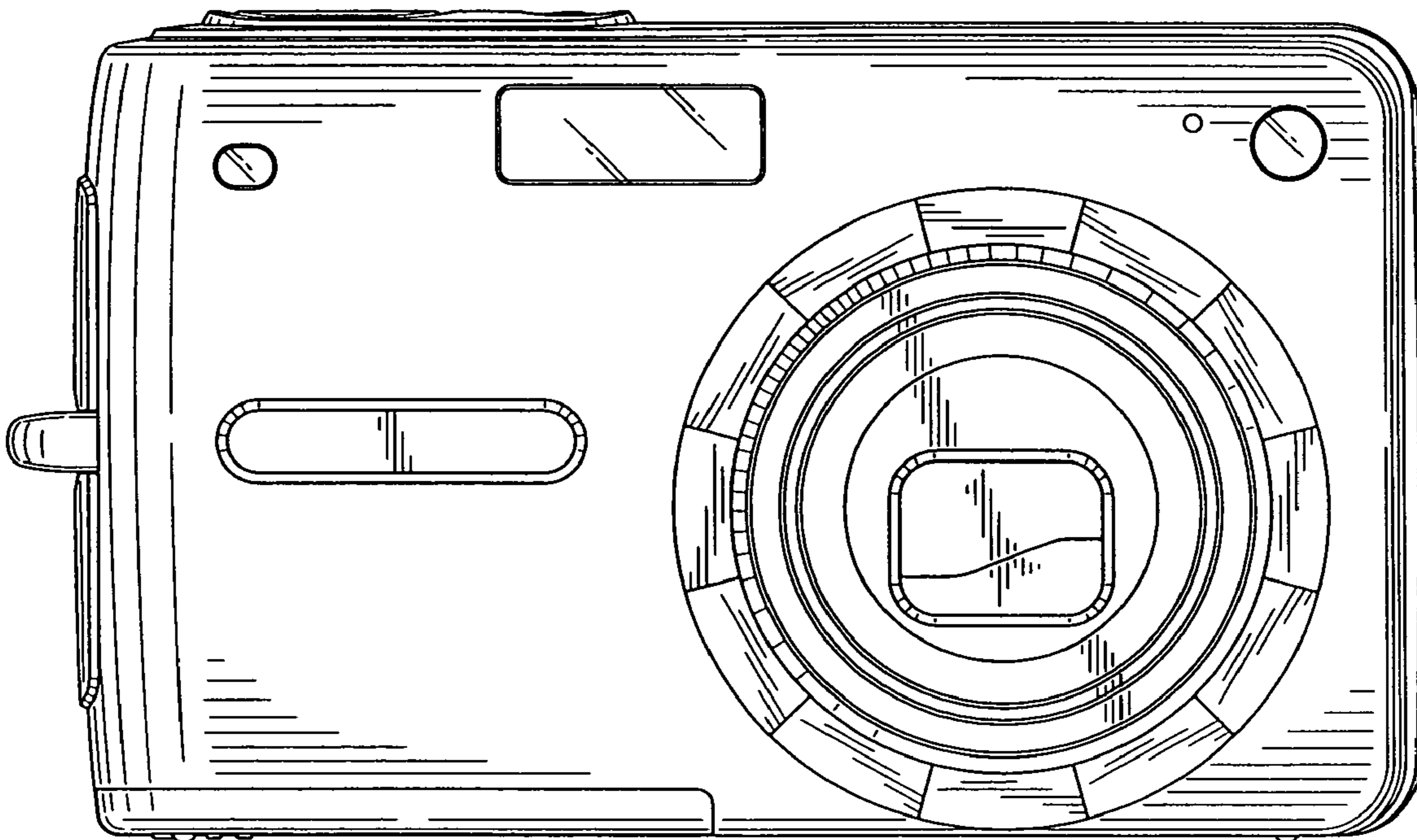




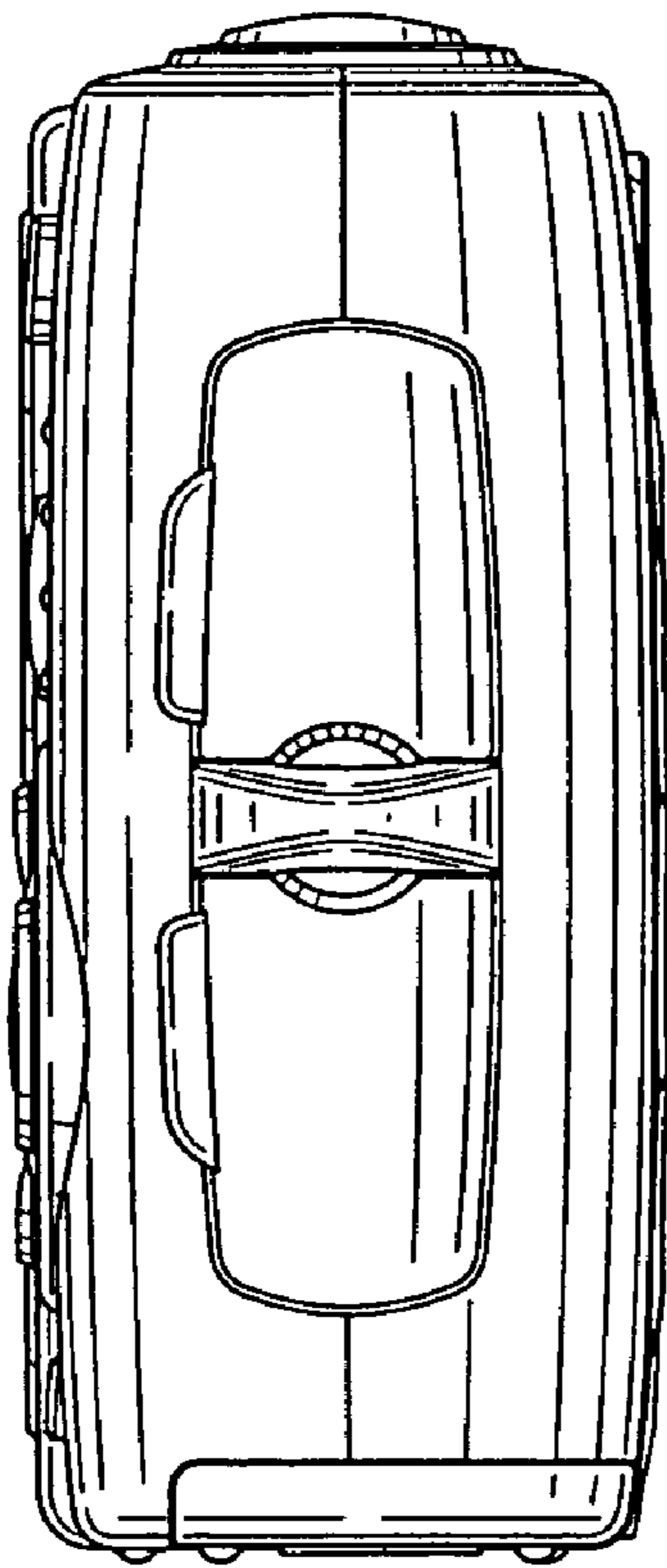
*FIG. 1*



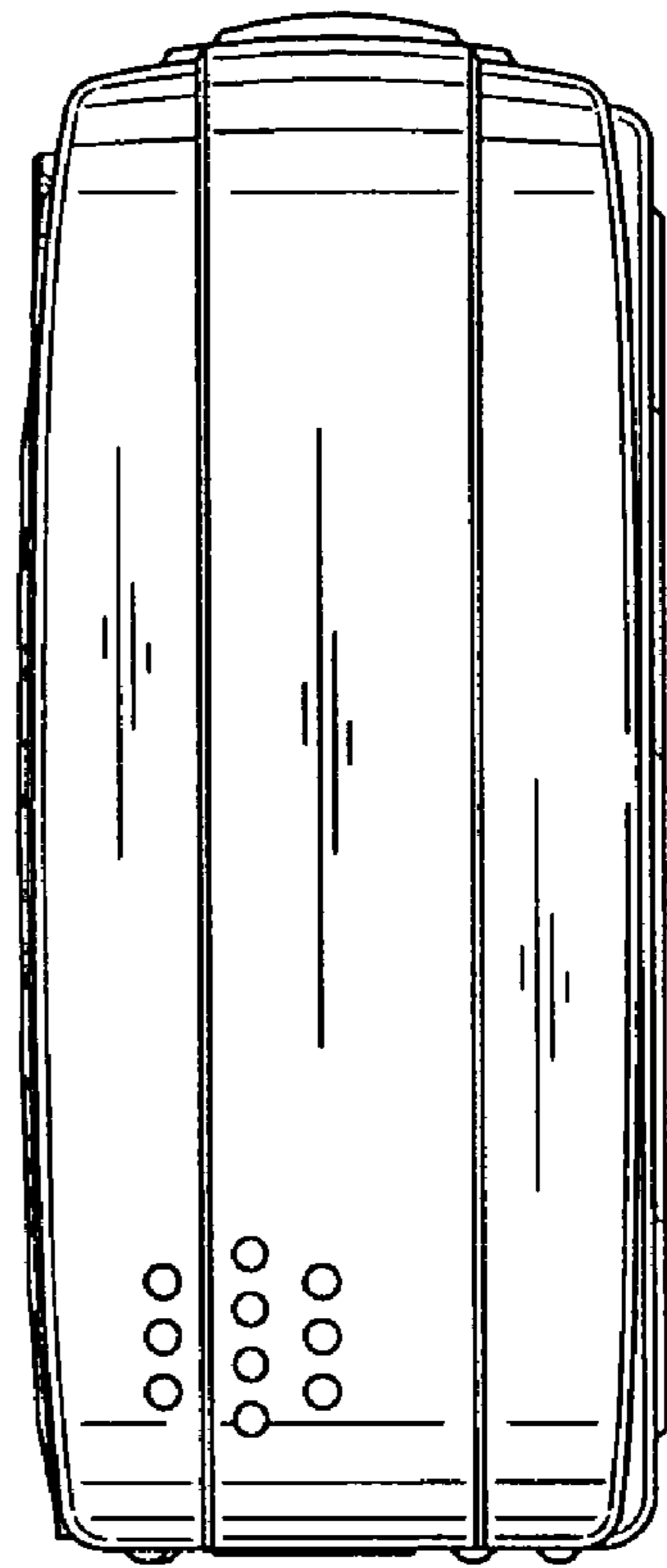
*FIG. 2*



*FIG. 3*



*FIG. 4*



*FIG. 5*

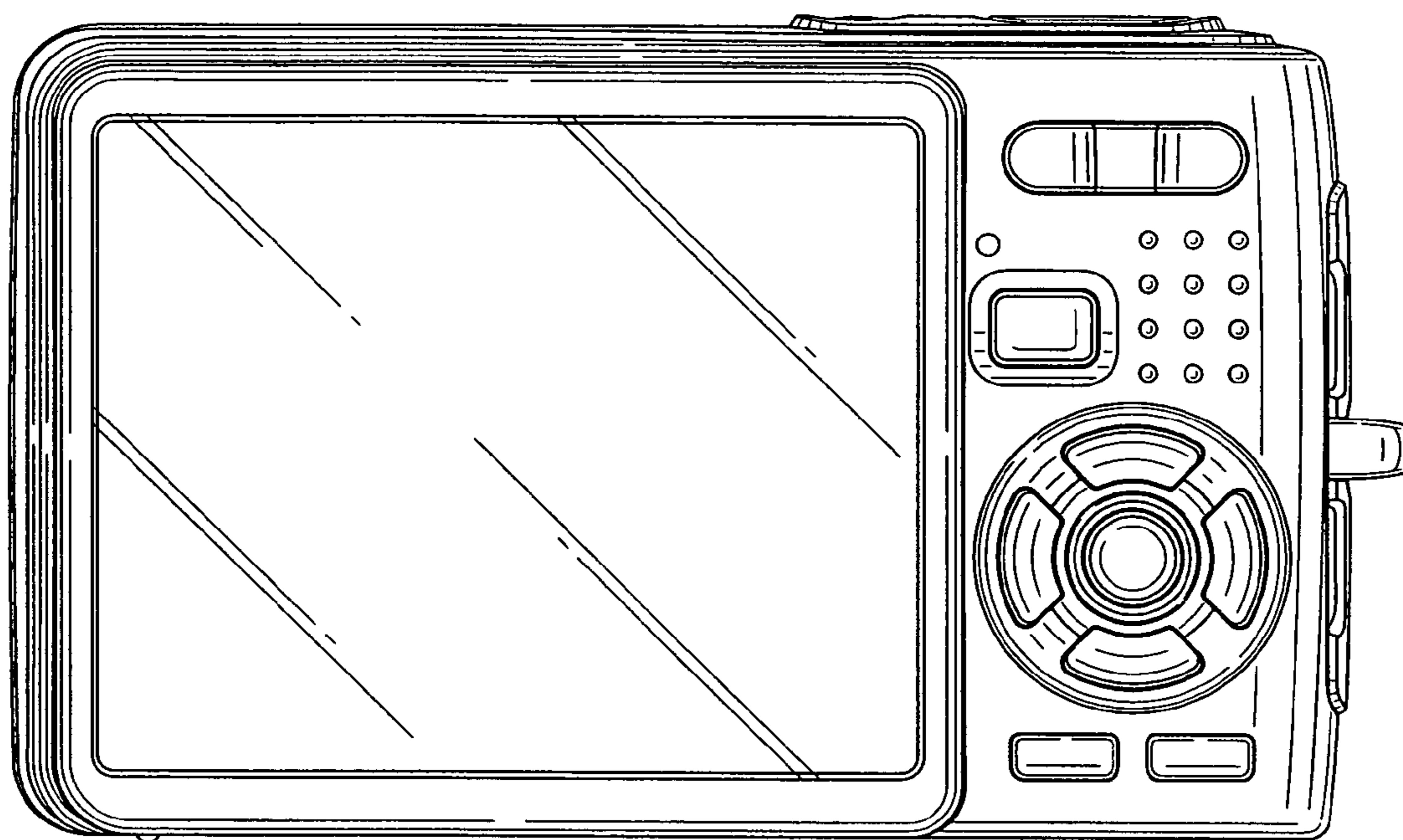


FIG. 6

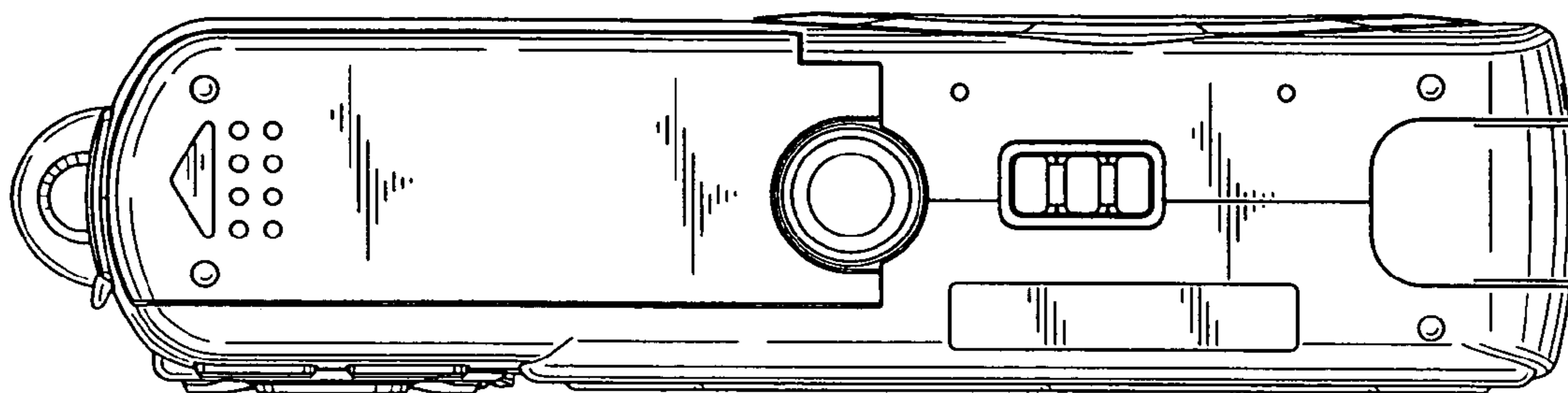
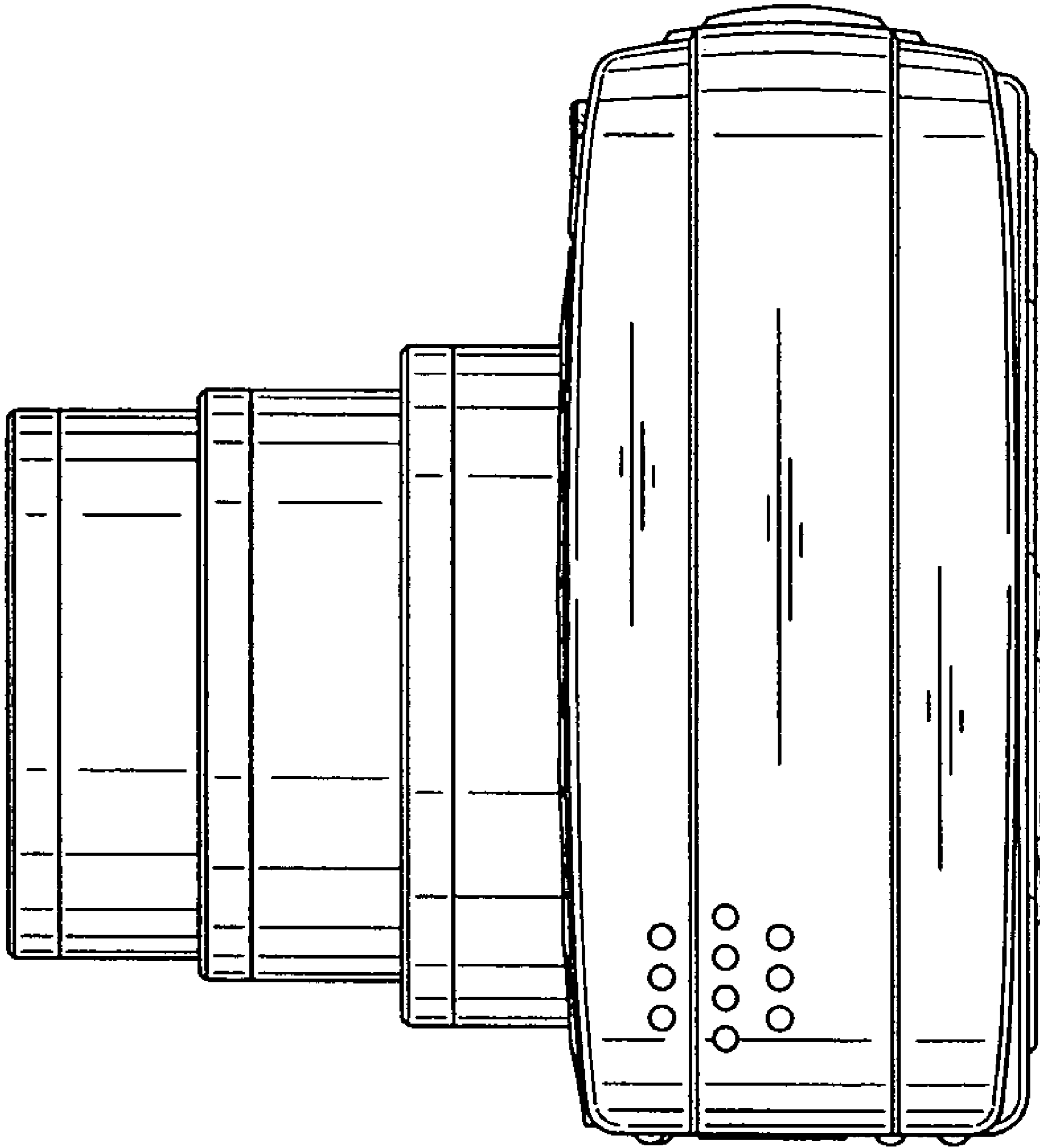
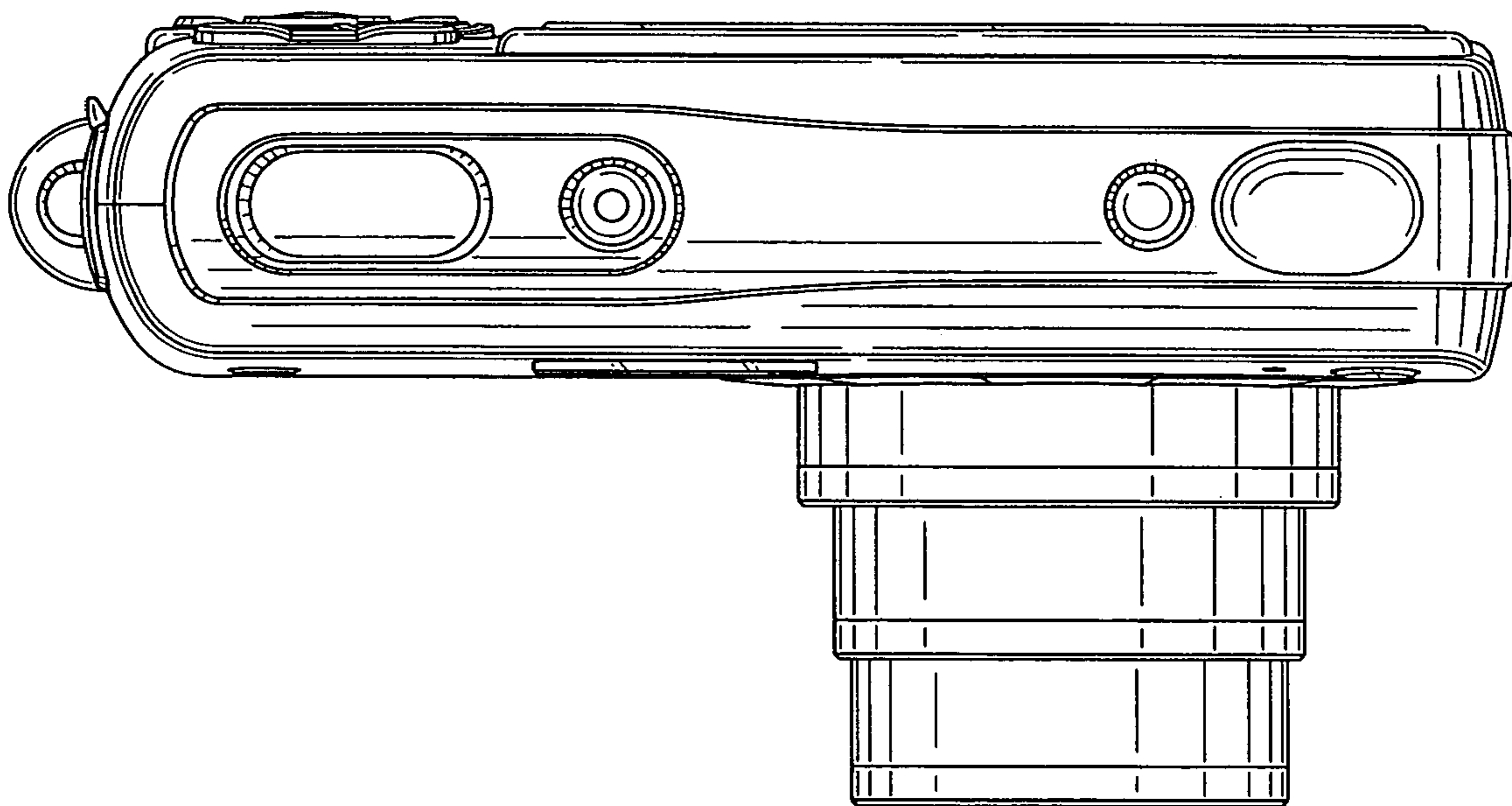


FIG. 7



**FIG. 8**



*FIG. 9*