



US00D558244S

(12) **United States Design Patent**
Ikenaga

(10) **Patent No.:** **US D558,244 S**

(45) **Date of Patent:** **** Dec. 25, 2007**

(54) **VIDEO CAMERA**

(75) Inventor: **Takashi Ikenaga**, Tokyo (JP)

(73) Assignee: **Sony Corporation**, Tokyo (JP)

(**) Term: **14 Years**

(21) Appl. No.: **29/260,758**

(22) Filed: **Jun. 1, 2006**

(30) **Foreign Application Priority Data**

Dec. 27, 2005 (JP) 2005-038365

(51) **LOC (8) Cl.** **16-01**

(52) **U.S. Cl.** **D16/202**

(58) **Field of Classification Search** D16/200–206,
D16/208, 218, 219; 348/373–376; 358/906;
396/535–541

See application file for complete search history.

(56) **References Cited**

U.S. PATENT DOCUMENTS

5,499,052	A *	3/1996	Nakanishi et al.	348/373
D408,428	S *	4/1999	Ninomiya et al.	D16/202
D423,541	S *	4/2000	Ohwada	D16/202
D507,290	S *	7/2005	Nishiwaki	D16/202
D521,041	S *	5/2006	Chung et al.	D16/202

D534,565	S *	1/2007	Sadatsuki	D16/202
D537,463	S *	2/2007	Sadatsuki	D16/219
2005/0140823	A1 *	6/2005	Ishikuro	348/375

FOREIGN PATENT DOCUMENTS

JP D1237808 3/2005

* cited by examiner

Primary Examiner—Adir Aronovich

(74) *Attorney, Agent, or Firm*—Oblon, Spivak, McClelland, Maier & Neustadt, P.C.

(57) **CLAIM**

The ornamental design for a video camera, as shown and described.

DESCRIPTION

FIG. 1 is a top and right front perspective view of a video camera, showing my design;

FIG. 2 is a front elevational view thereof;

FIG. 3 is a rear elevational view thereof;

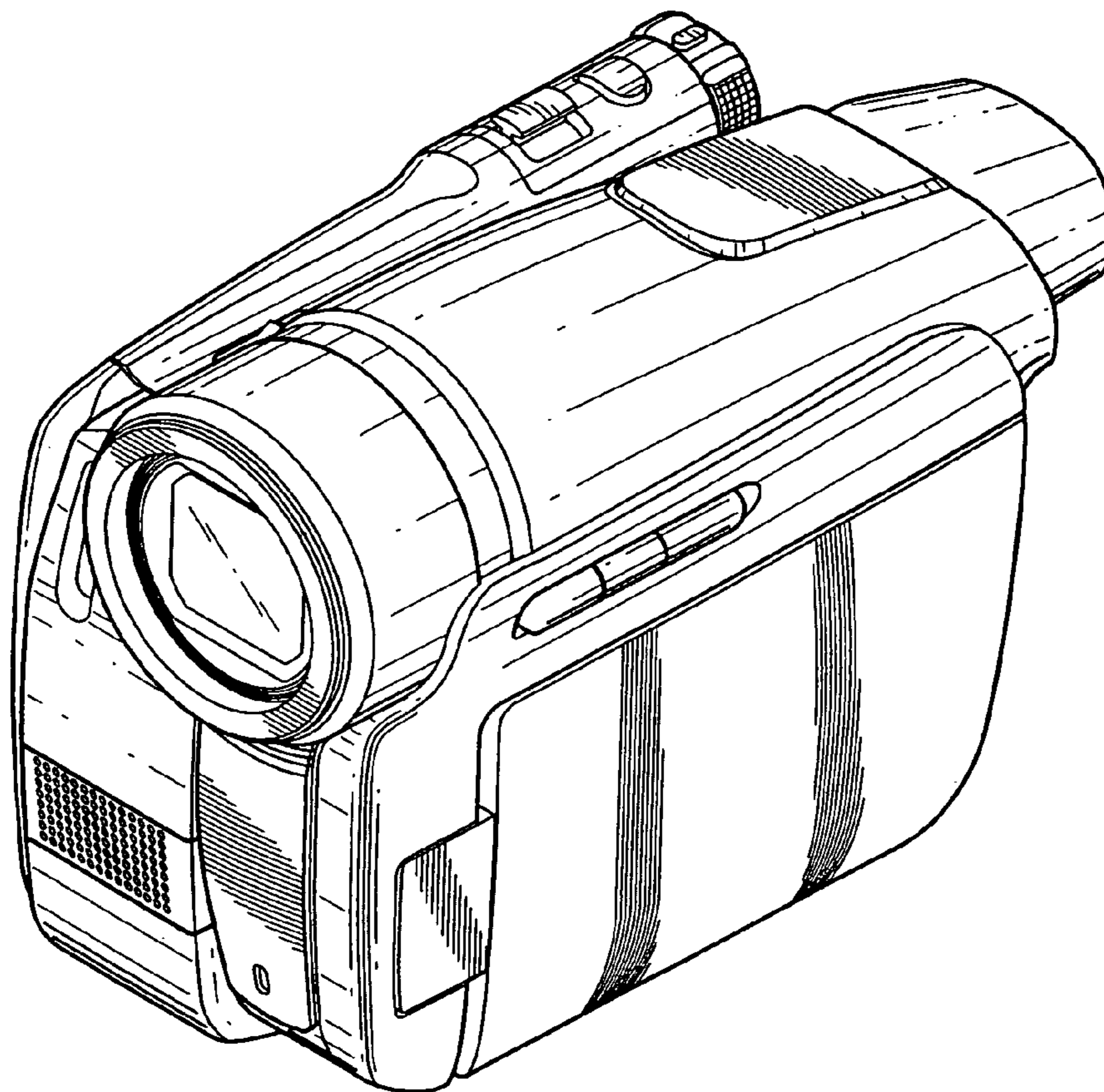
FIG. 4 is a left side elevational view thereof;

FIG. 5 is a right side elevational view thereof;

FIG. 6 is a top plan view thereof; and,

FIG. 7 is a bottom plan view thereof.

1 Claim, 4 Drawing Sheets



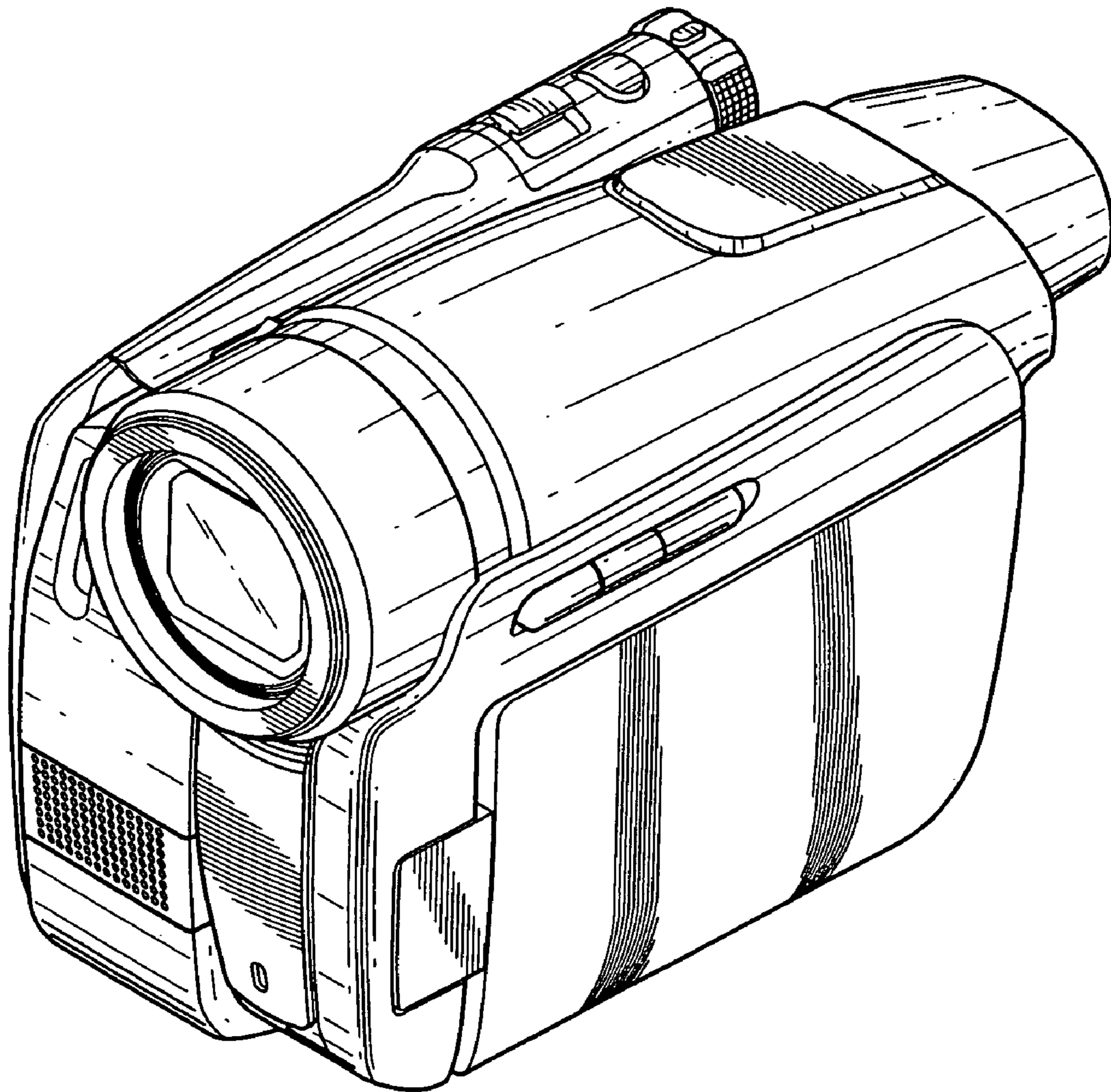


FIG. 1

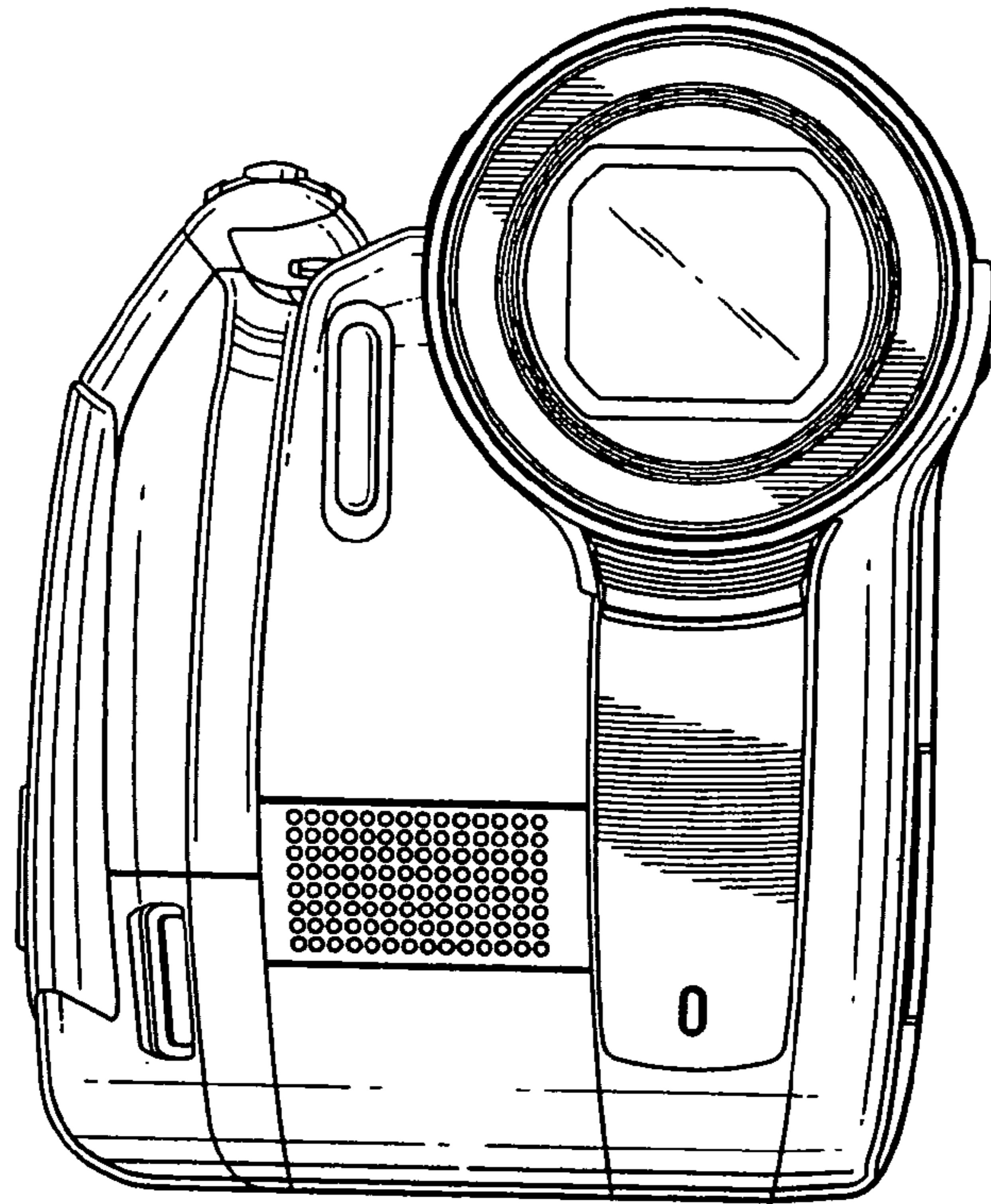


FIG. 2

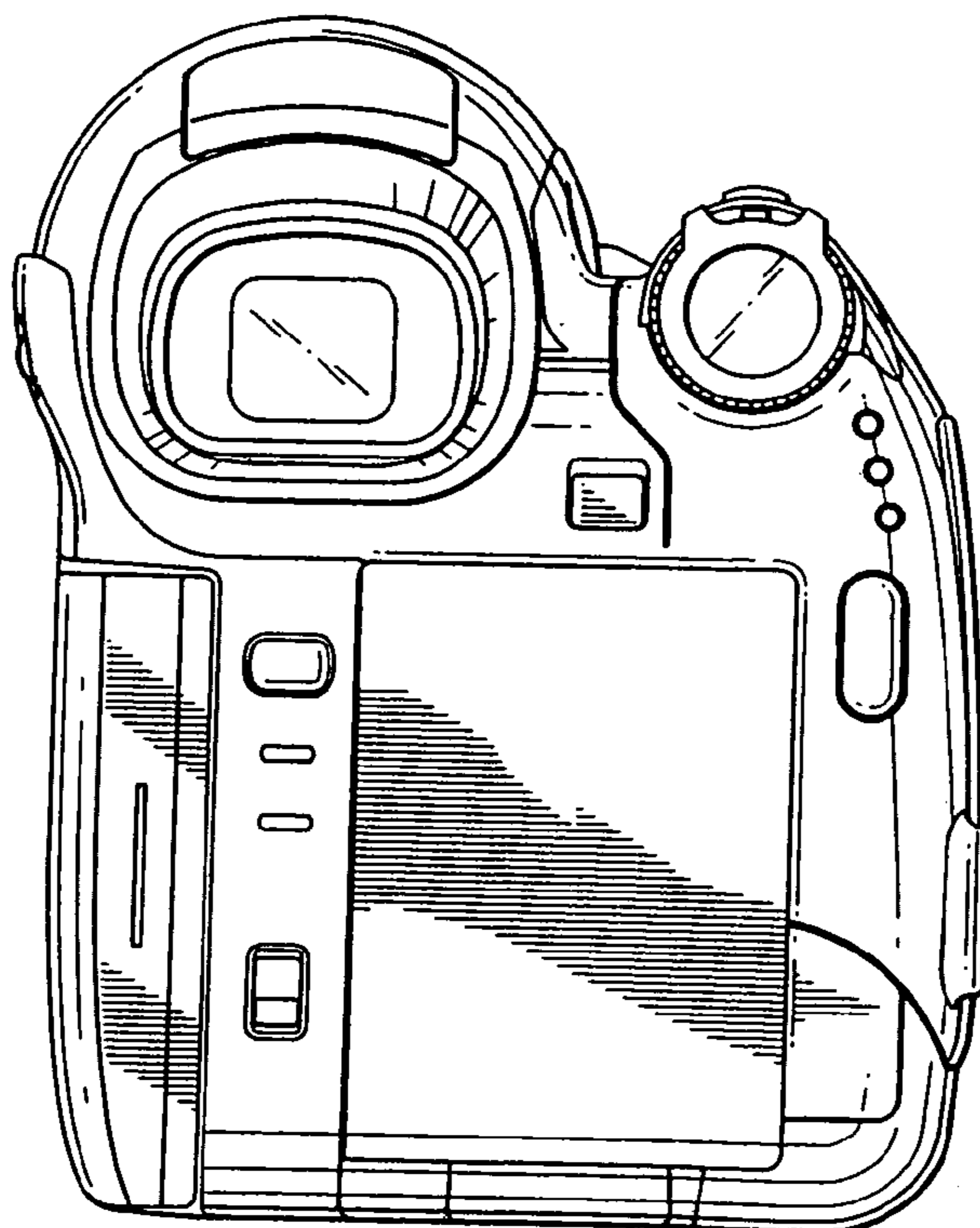


FIG. 3

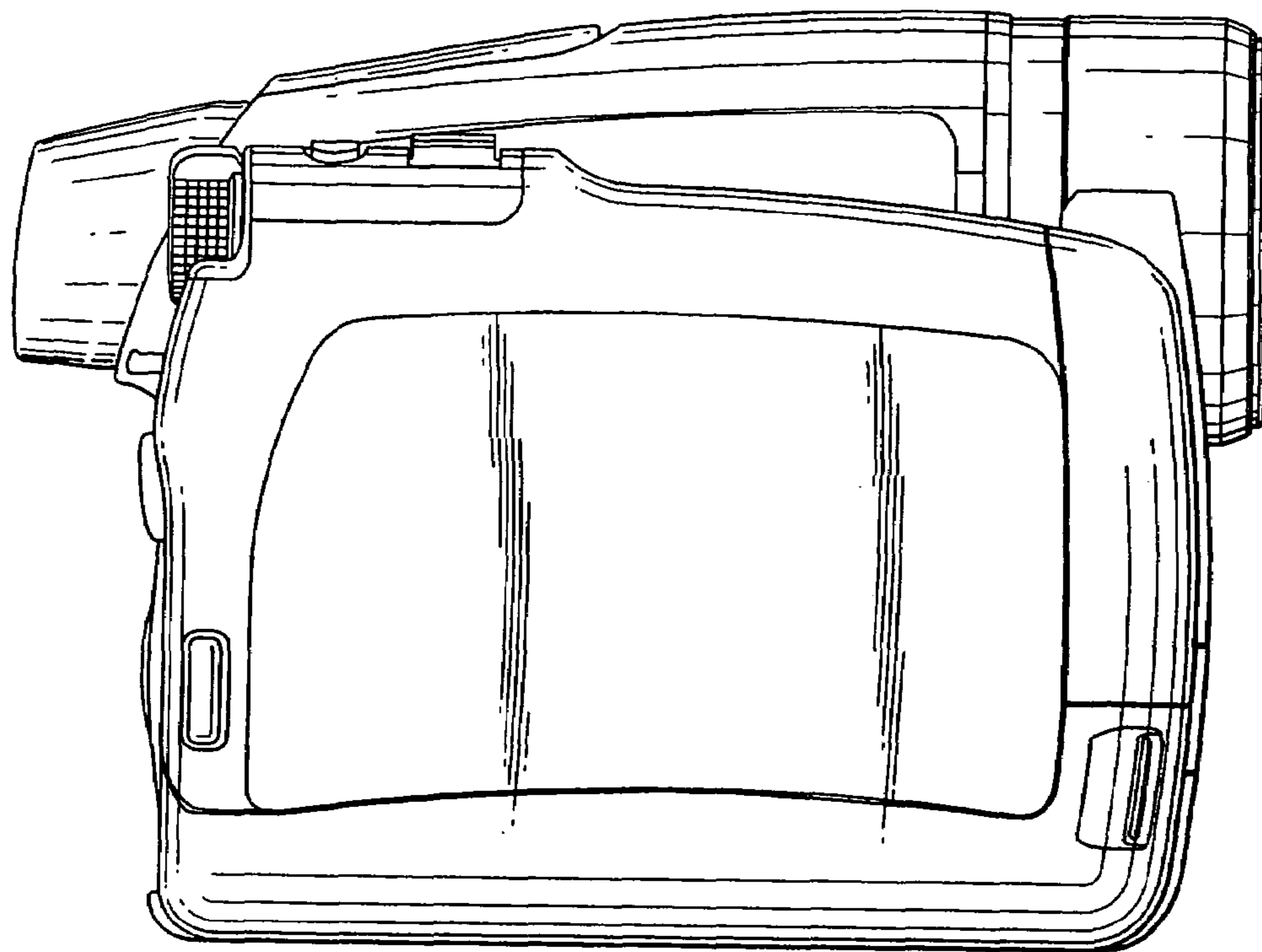


FIG. 4

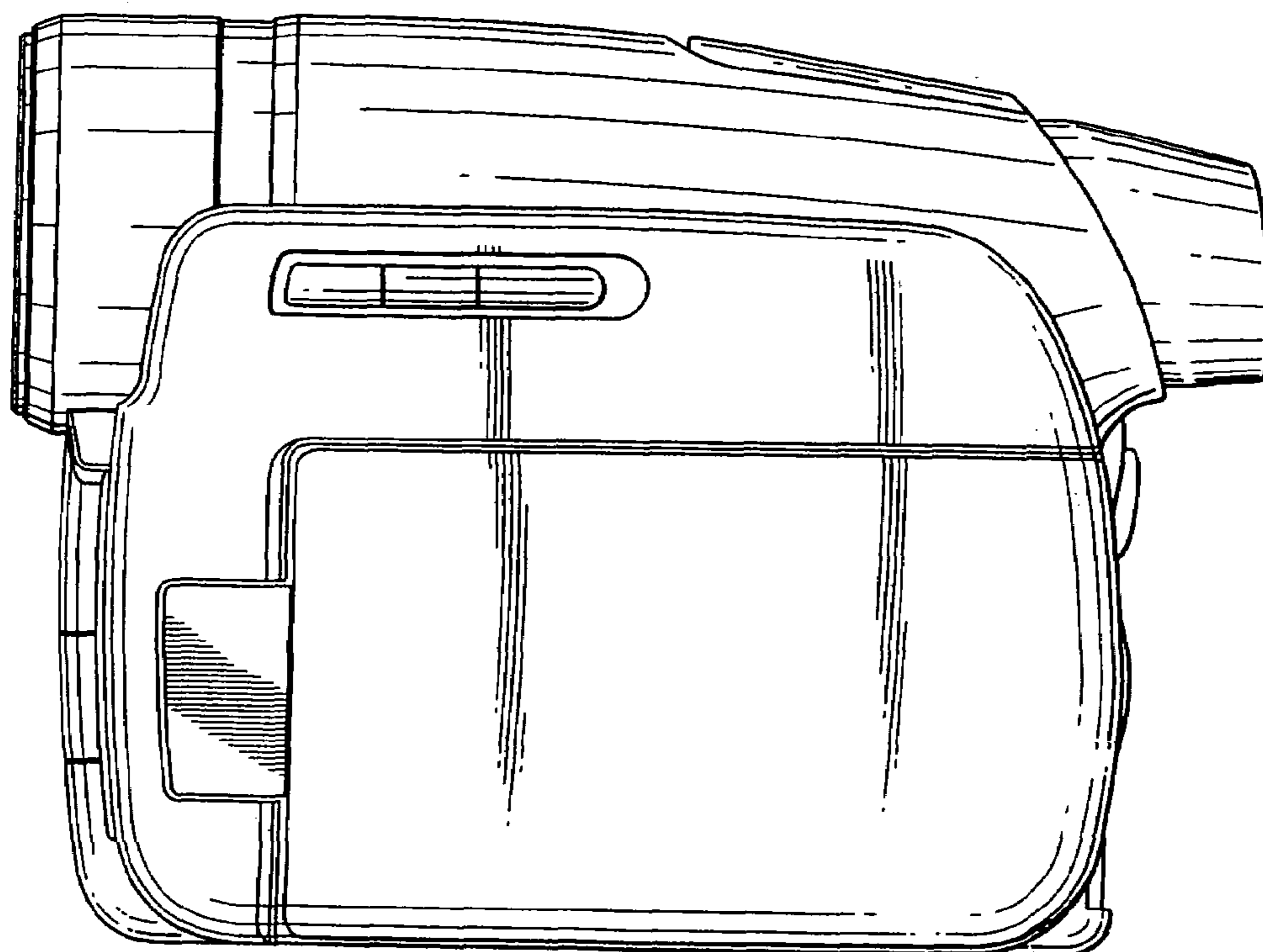


FIG. 5

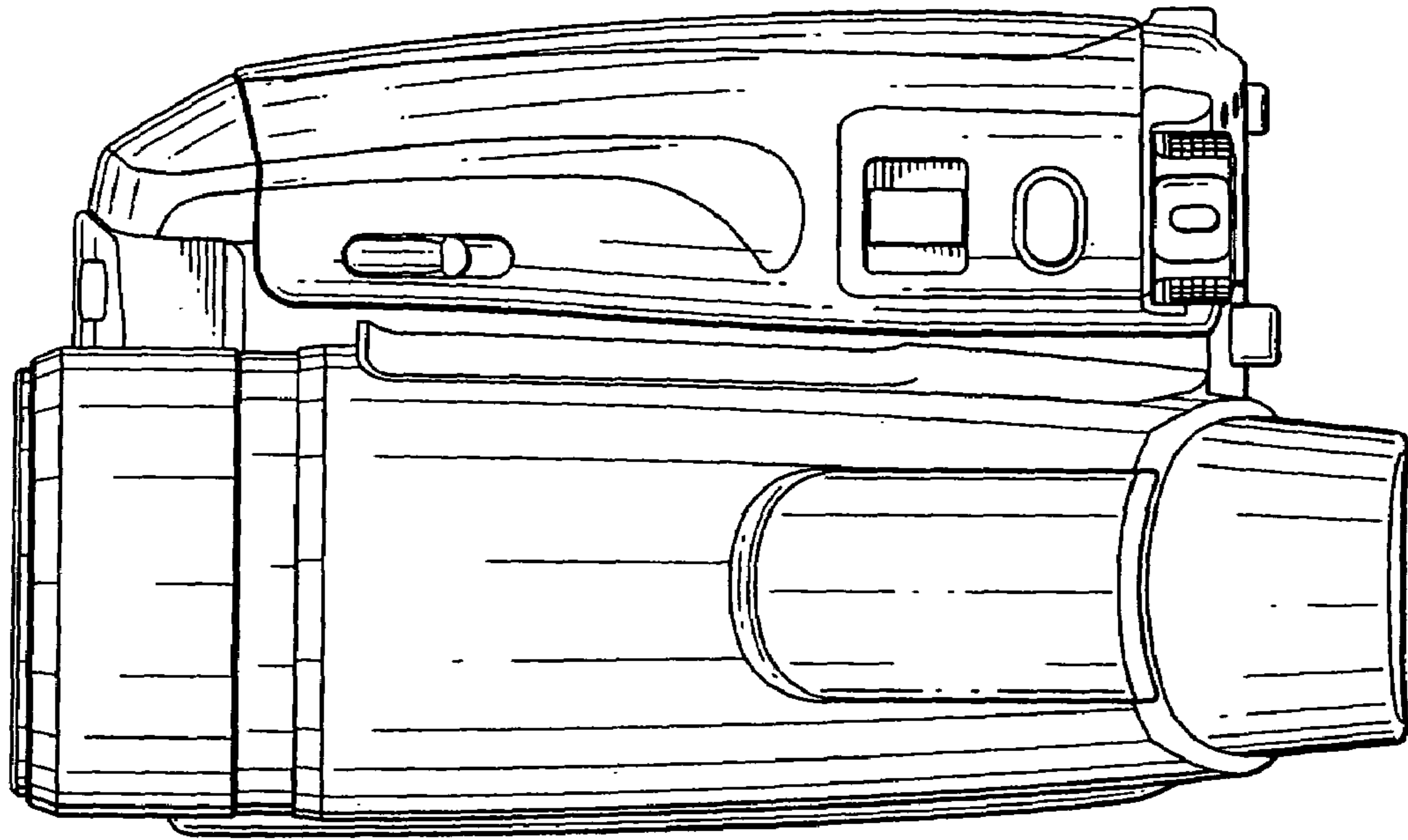


FIG. 6

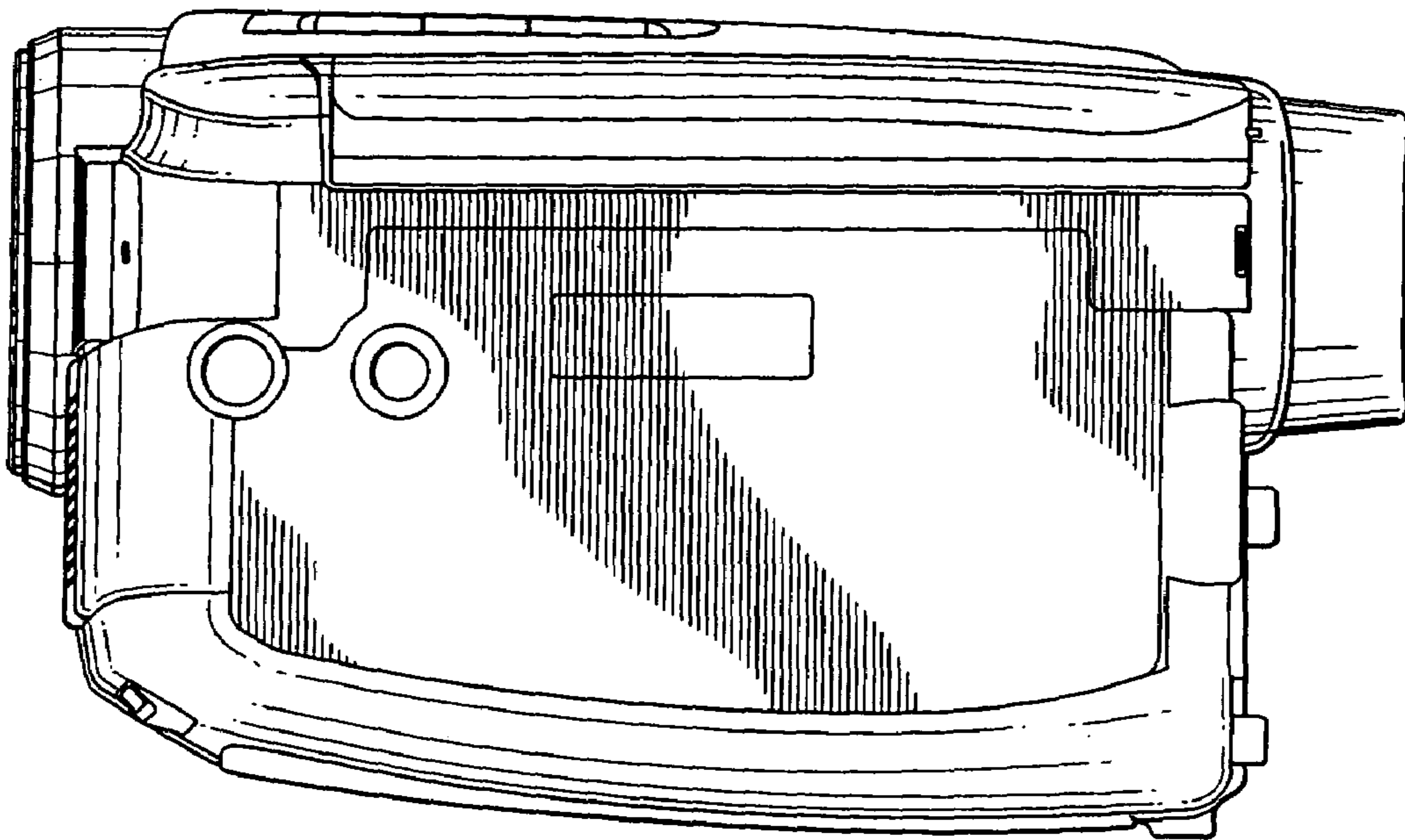


FIG. 7