



US00D558243S

(12) **United States Design Patent**
Tanifuji et al.

(10) **Patent No.:** **US D558,243 S**

(45) **Date of Patent:** **** Dec. 25, 2007**

(54) **CAMCORDER**

D500,776 S * 1/2005 Miyashita D16/202
D502,478 S * 3/2005 Inuma et al. D16/202
D507,290 S * 7/2005 Nishiwaki D16/202

(75) Inventors: **Shuji Tanifuji**, Yokohama (JP);
Tatsuya Narita, Yokohama (JP);
Eiichiro Hayashi, Tokyo (JP); **Akihiko**
Miyamori, Yokohama (JP)

* cited by examiner

Primary Examiner—Ian Simmons

Assistant Examiner—Wan Laymon

(73) Assignee: **Victor Company of Japan, Limited**,
Yokohama (JP)

(74) *Attorney, Agent, or Firm*—The Nath Law Group; Derek
Richmond; Matthew J. Moffa

(**) Term: **14 Years**

(57) **CLAIM**

(21) Appl. No.: **29/238,147**

The ornamental design for a camcorder, as shown and
described.

(22) Filed: **Sep. 13, 2005**

(30) **Foreign Application Priority Data**

DESCRIPTION

Mar. 17, 2005 (JP) D2005-007972

FIG. 1 is a front perspective view of a camcorder showing
our new design;

(51) **LOC (8) Cl.** **16-01**

FIG. 2 is a rear perspective view thereof with the monitor
panel in an opened position;

(52) **U.S. Cl.** **D16/202**

FIG. 3 is a front view thereof;

(58) **Field of Classification Search** D16/200–206,
D16/208, 218, 230, 231; 348/373–376; 396/535–541,
396/428–429; 358/906, 909.1

FIG. 4 is a rear view thereof;

See application file for complete search history.

FIG. 5 is a top plan view thereof;

(56) **References Cited**

FIG. 6 is a bottom view thereof;

U.S. PATENT DOCUMENTS

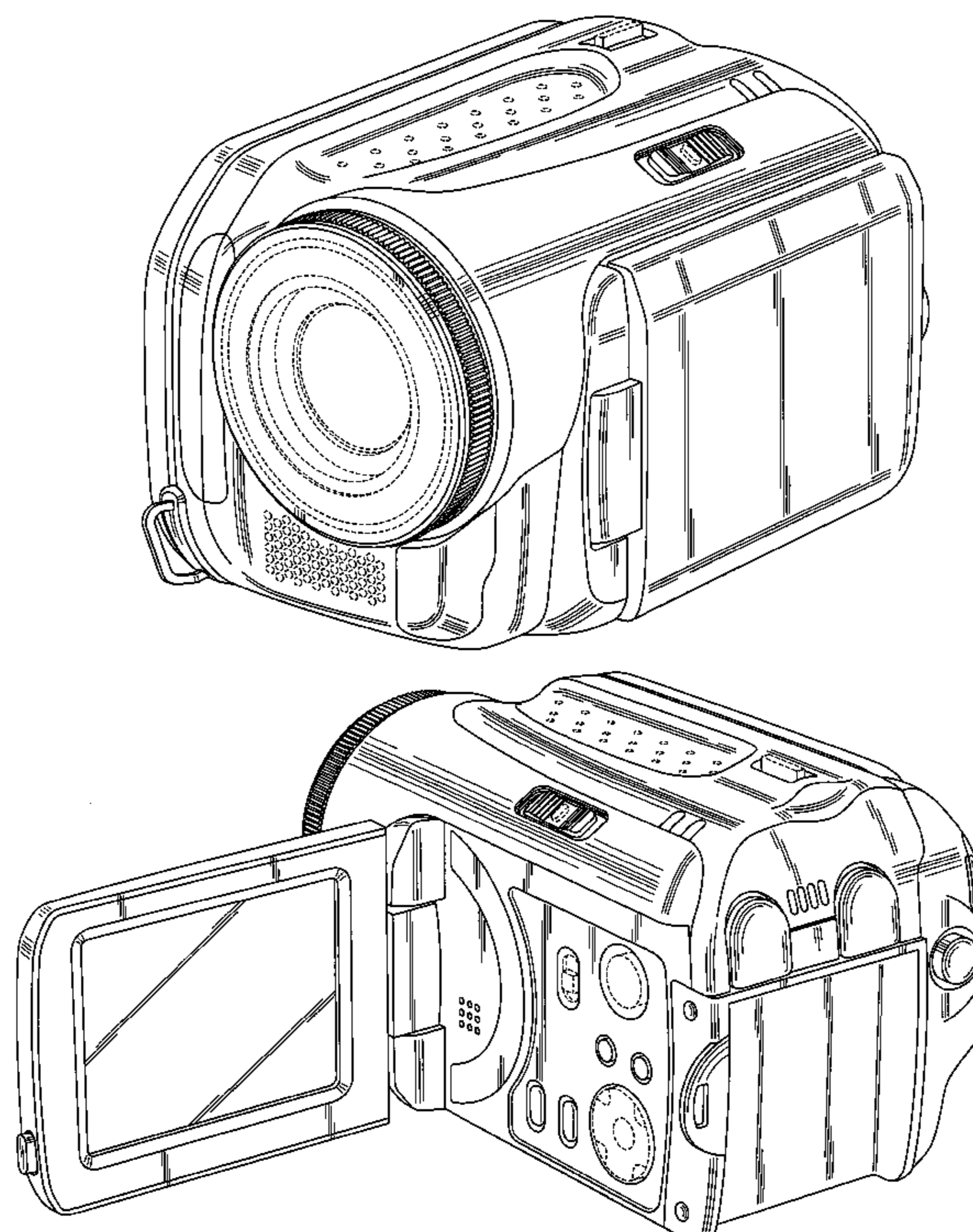
FIG. 7 is a right side view thereof; and,

FIG. 8 is a left side view thereof.

D408,428 S * 4/1999 Ninomiya et al. D16/202
D435,574 S * 12/2000 Miyashita D16/202
D445,814 S * 7/2001 Oki et al. D16/202
D446,799 S * 8/2001 Ohki et al. D16/202
D460,471 S * 7/2002 Oda et al. D16/202
D467,601 S * 12/2002 Kojima et al. D16/202

Those portions of the drawings shown in broken lines are
unclaimed subject matter and form no part of the claimed
design or of a specified embodiment thereof.

1 Claim, 8 Drawing Sheets



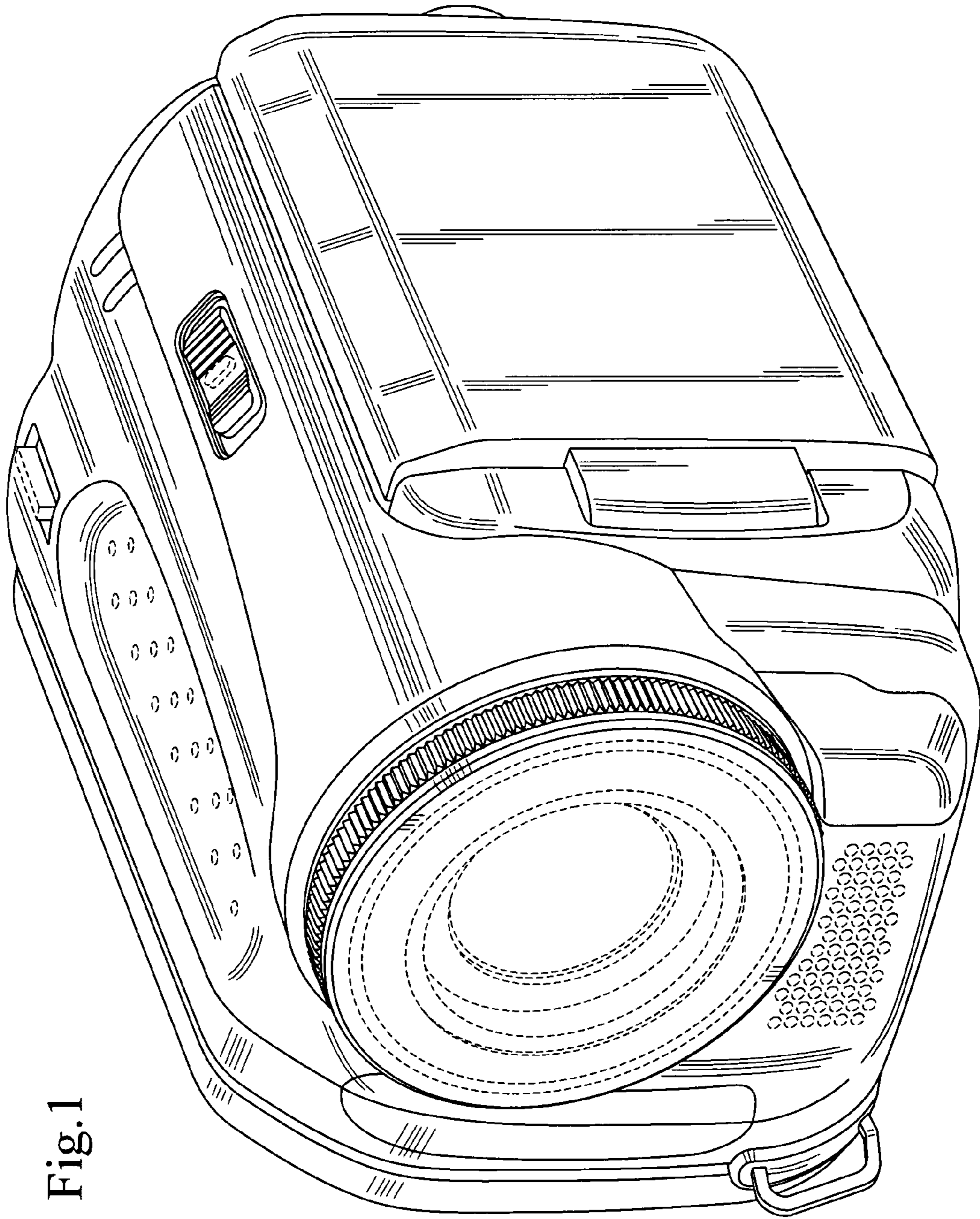


Fig.1

Fig.2

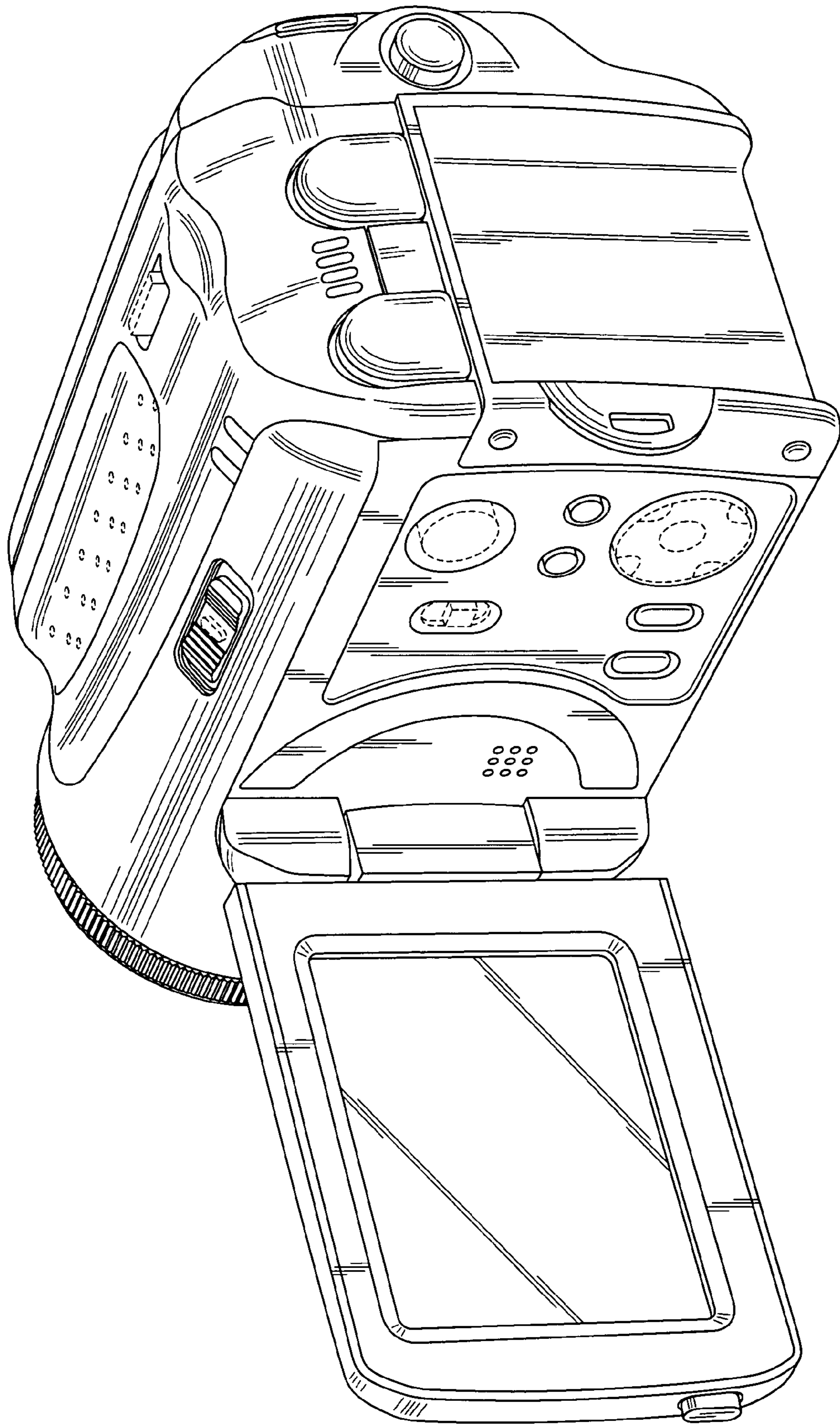


Fig.3

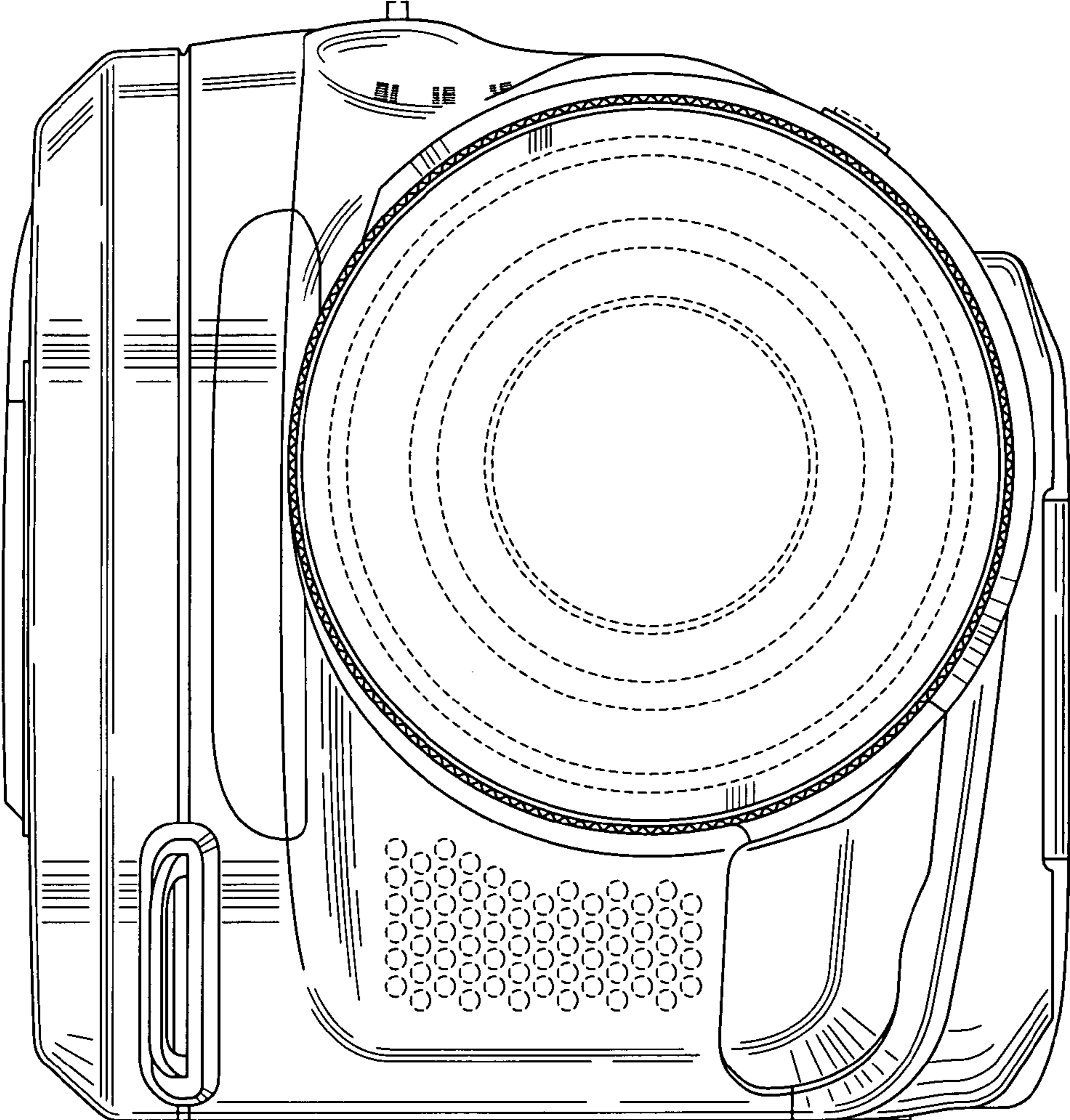


Fig.4

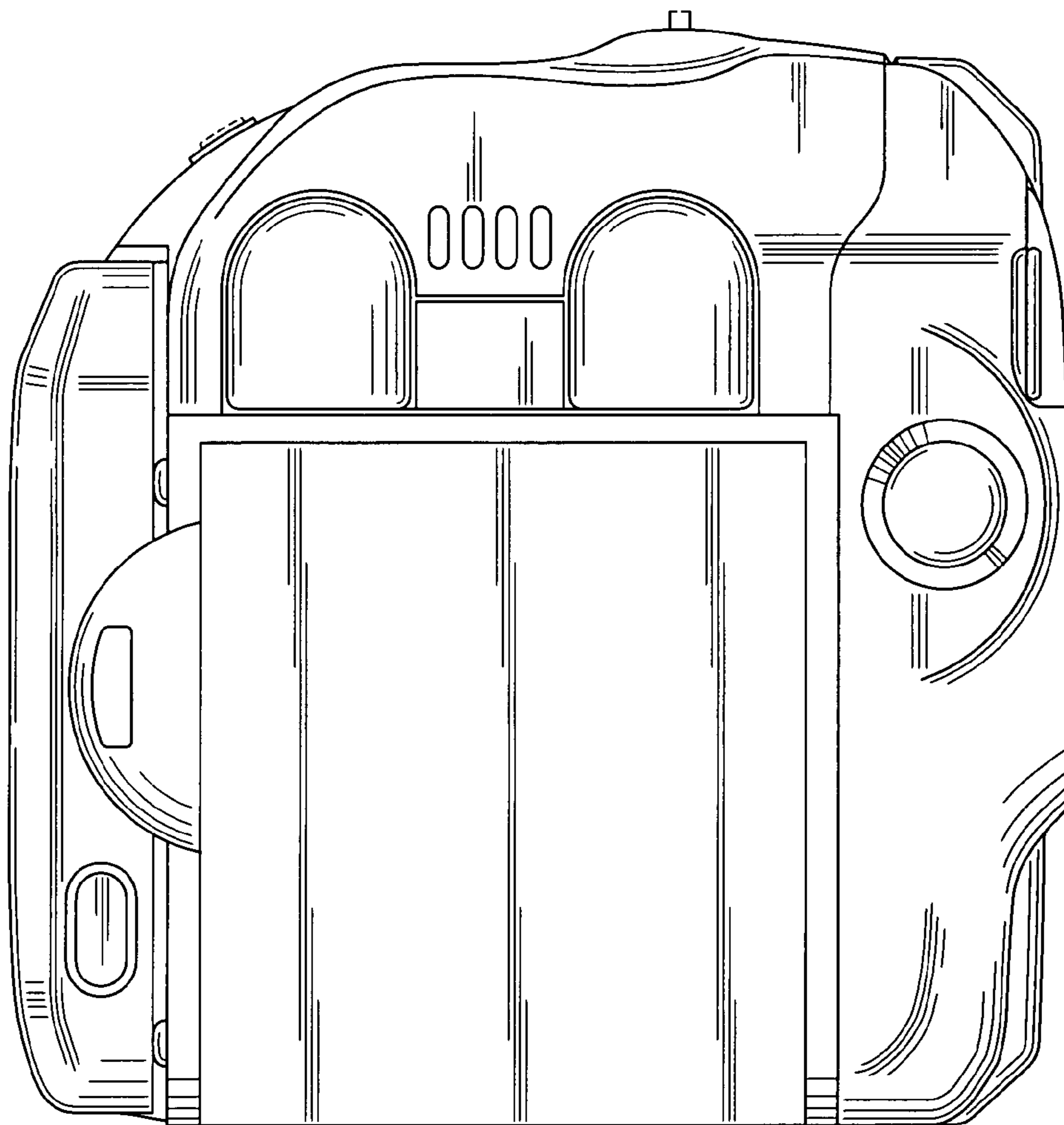


Fig.5

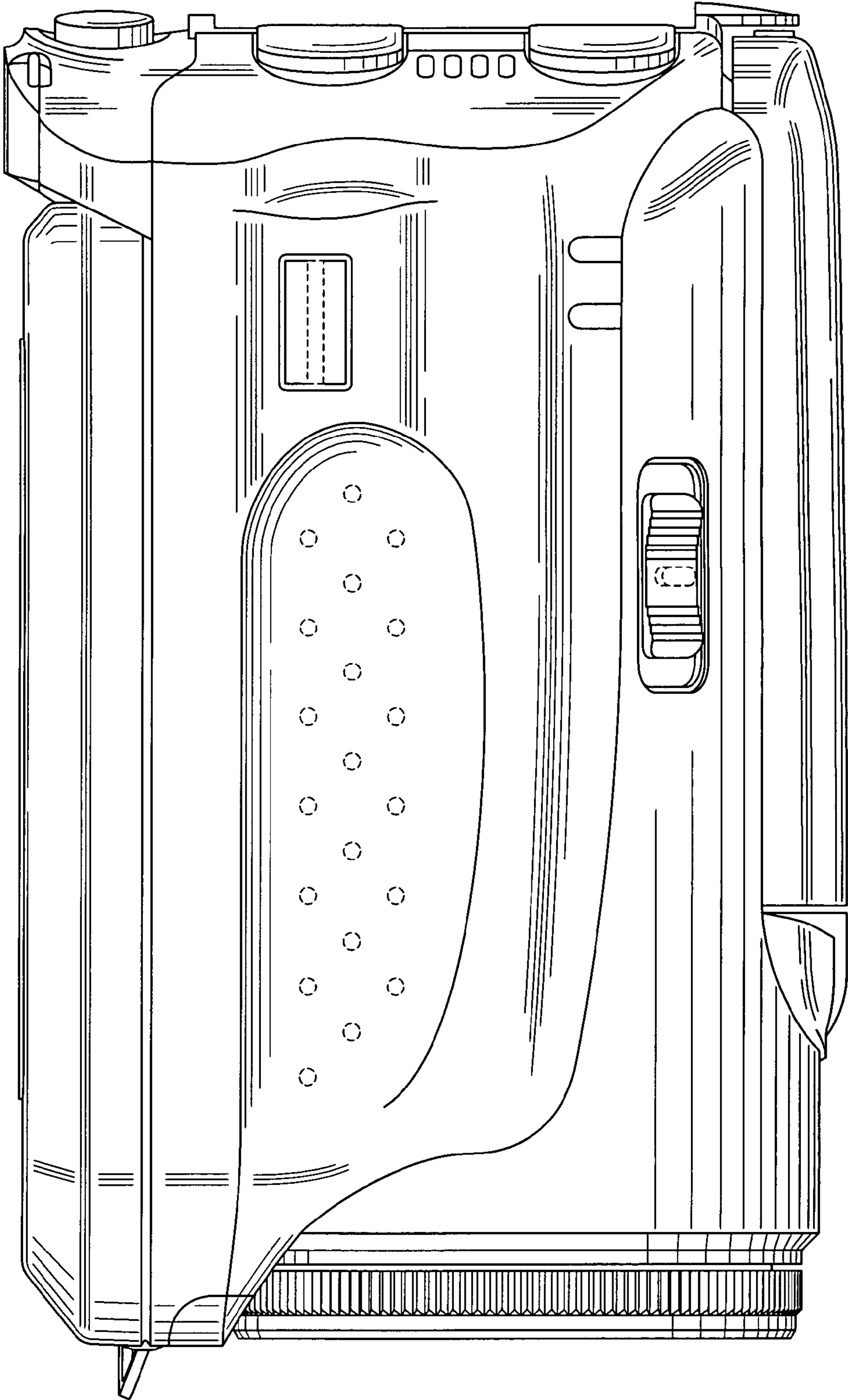


Fig.6

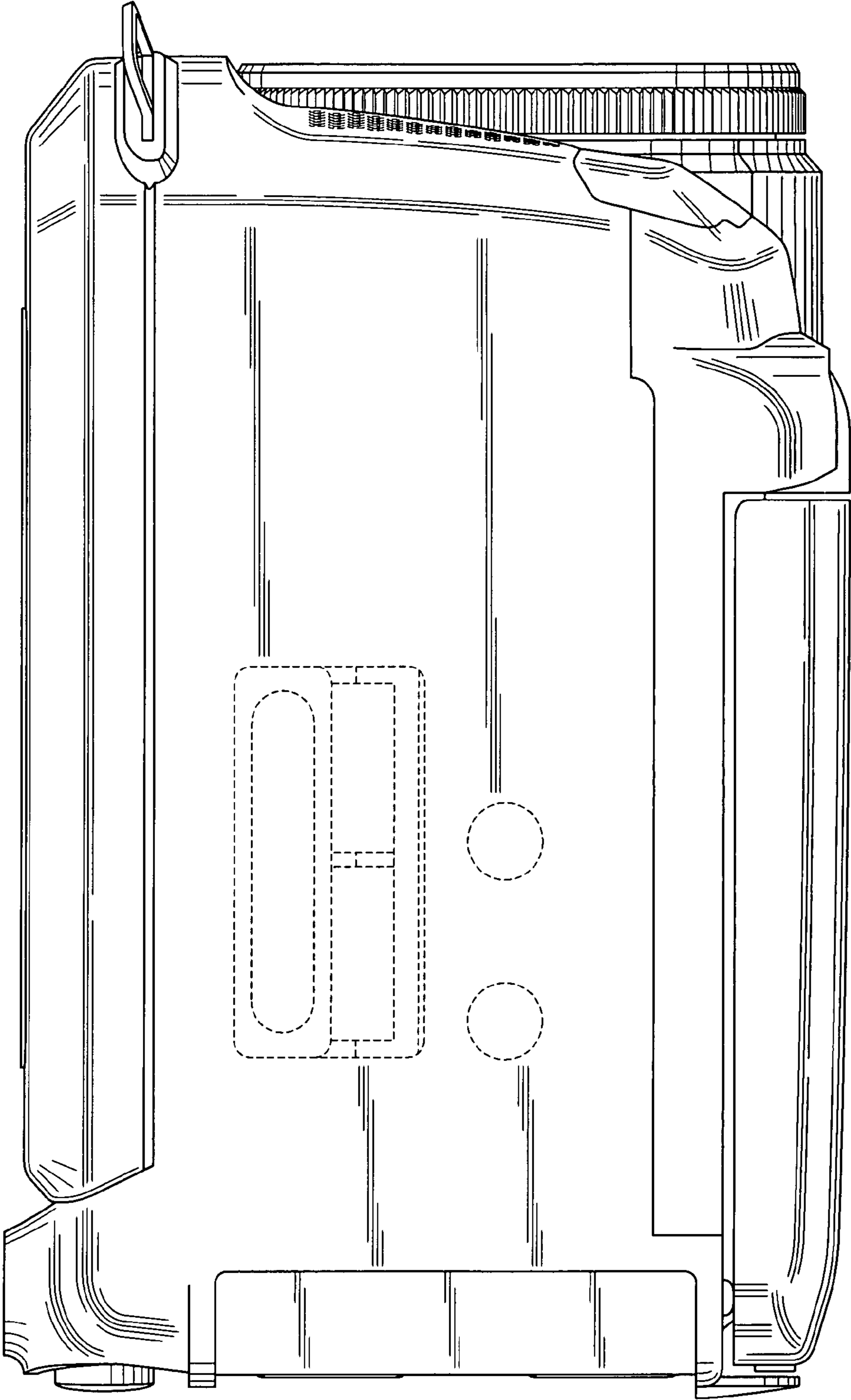


Fig.7

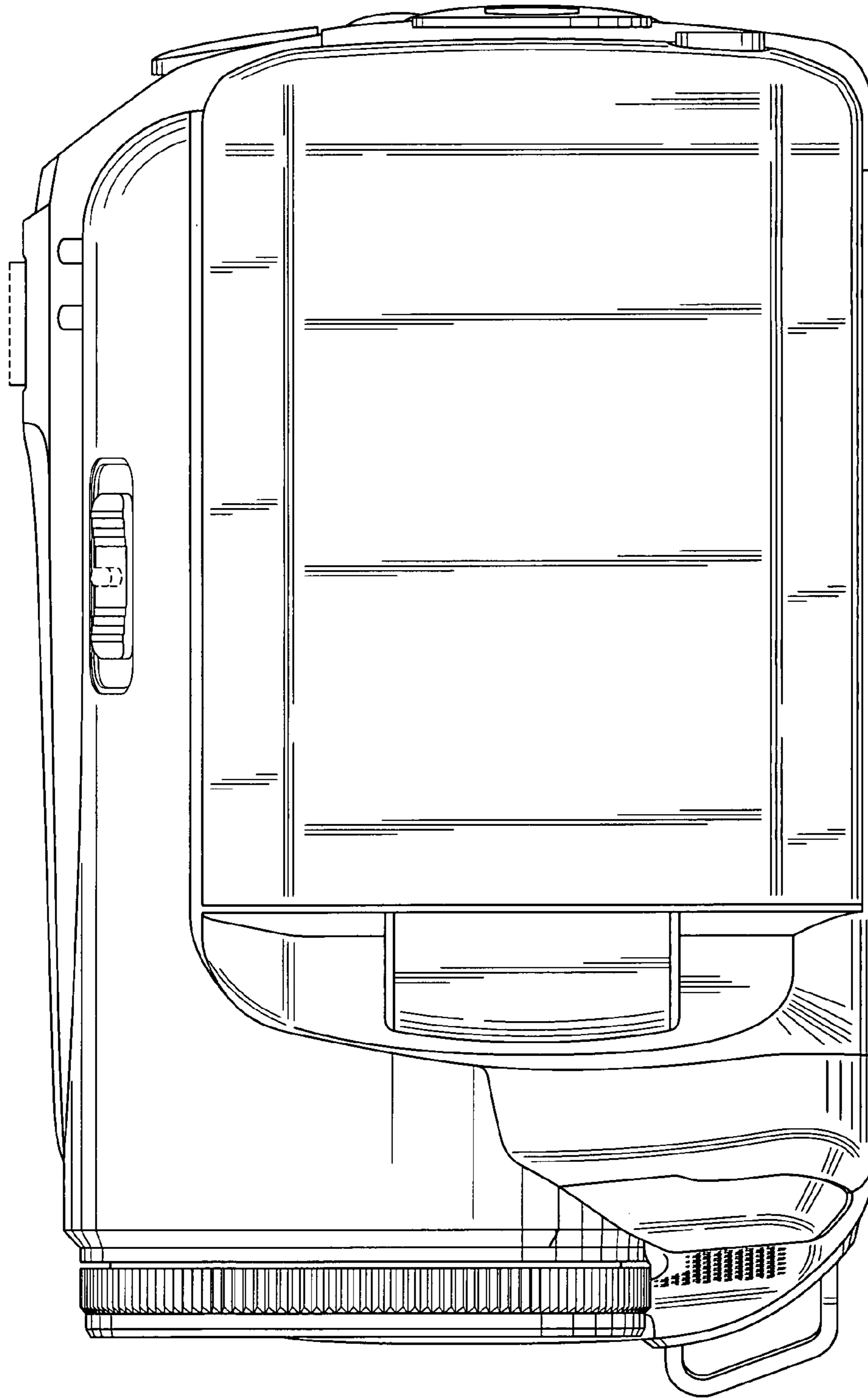


Fig.8

