



US00D558242S

(12) **United States Design Patent**  
**Chiang**

(10) **Patent No.:** **US D558,242 S**

(45) **Date of Patent:** **\*\* Dec. 25, 2007**

(54) **CHISEL**

(75) Inventor: **Chun-Li Chiang**, Taichung (TW)

(73) Assignee: **Everpads Co., Ltd.**, Taichung (TW)

(\*\*) Term: **14 Years**

(21) Appl. No.: **29/280,157**

(22) Filed: **May 18, 2007**

(51) **LOC (8) Cl.** ..... **15-09**

(52) **U.S. Cl.** ..... **D15/139**

(58) **Field of Classification Search** ..... D8/70;  
D15/138, 139, 140; 175/57, 420.1, 420.2;  
299/104, 106-107; 407/113

See application file for complete search history.

(56) **References Cited**

**U.S. PATENT DOCUMENTS**

D413,126 S *	8/1999	Warren et al.	.....	D15/21
D420,013 S *	2/2000	Warren et al.	.....	D15/21
D424,075 S *	5/2000	Streich	.....	D15/140
D429,262 S *	8/2000	Streich	.....	D15/140
6,371,567 B1 *	4/2002	Sollami	.....	299/104
6,585,327 B2 *	7/2003	Sollami	.....	299/107
D488,170 S *	4/2004	Sollami	.....	D15/21

D520,035 S *	5/2006	Kammerer	.....	D15/139
2002/0074851 A1 *	6/2002	Montgomery, Jr.	.....	299/107
2003/0193235 A1 *	10/2003	Sollami	.....	299/106
2007/0052279 A1 *	3/2007	Sollami	.....	299/106

\* cited by examiner

*Primary Examiner*—Gary D. Watson

*Assistant Examiner*—Patricia Palasik

(74) *Attorney, Agent, or Firm*—Pai Patent & Trademark Law Firm; Chao-Chang David Pai

(57) **CLAIM**

The ornamental design for a chisel, as shown and described.

**DESCRIPTION**

FIG. 1 is a perspective view of a chisel showing my new design;

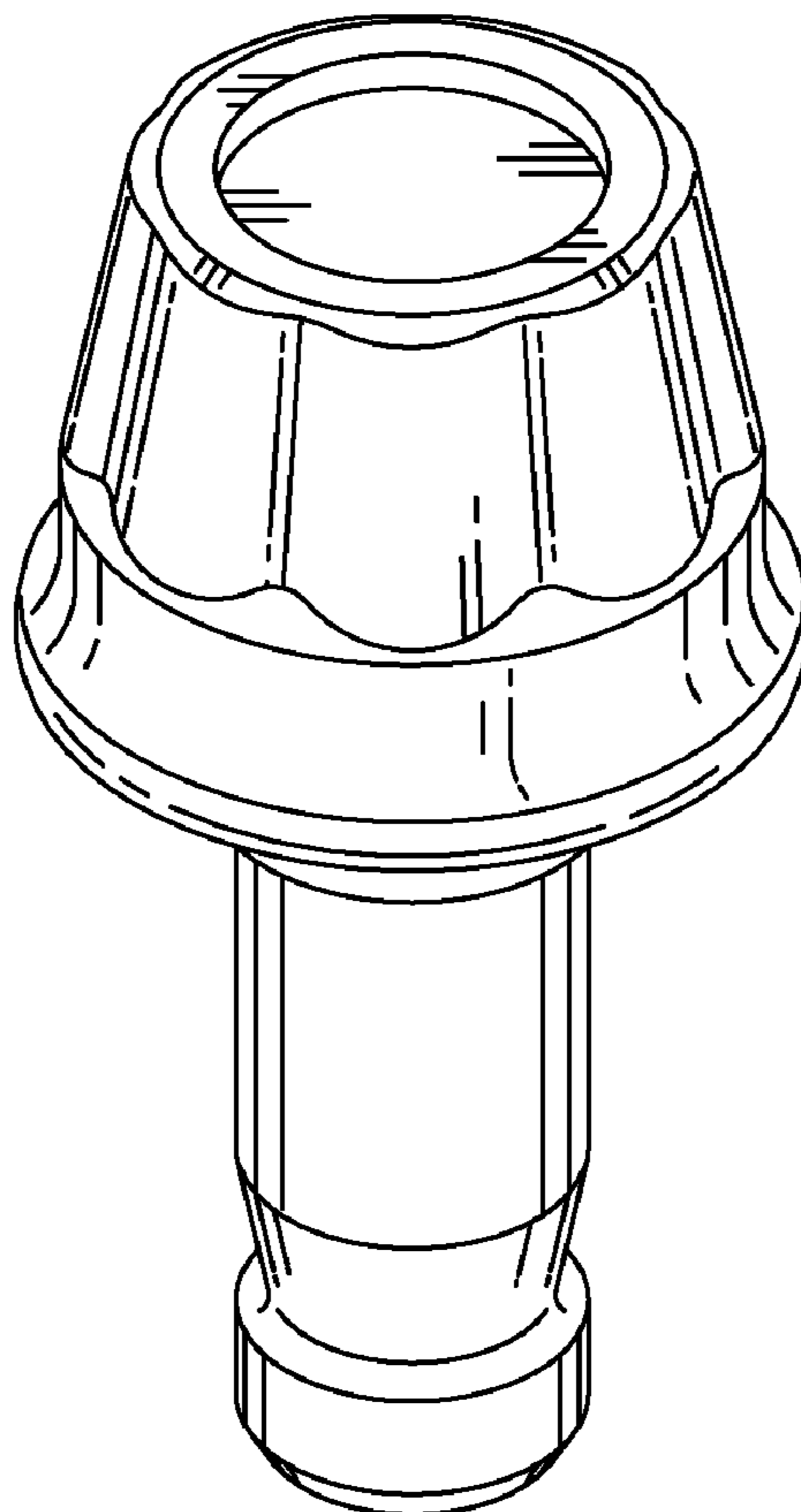
FIG. 2 is a front view thereof, the rear view being a mirror image of the front view;

FIG. 3 is a left side view thereof, the right side view being a mirror image of the left side view;

FIG. 4 is a top view thereof; and,

FIG. 5 is a bottom view thereof.

**1 Claim, 4 Drawing Sheets**



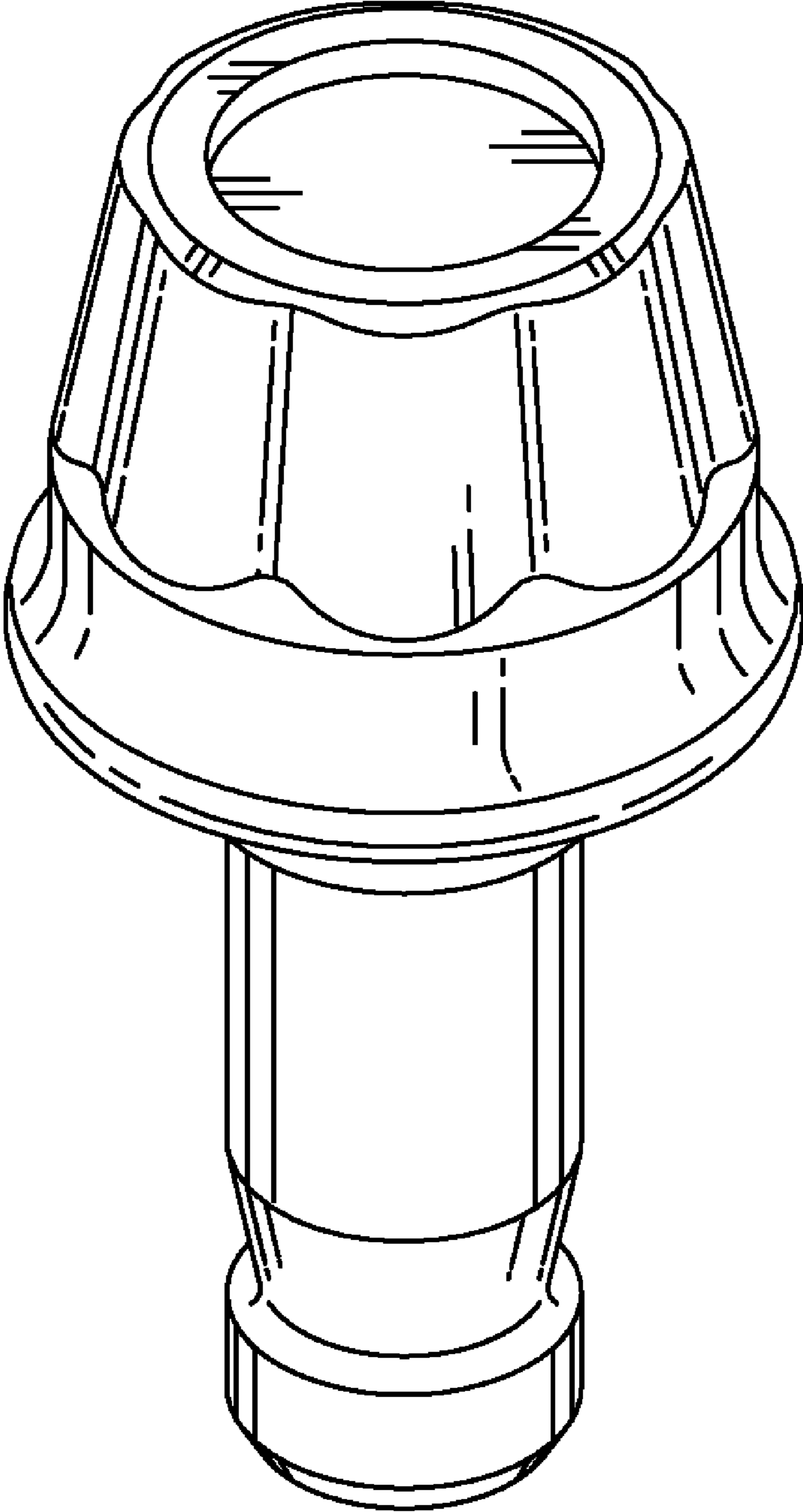


Fig. 1

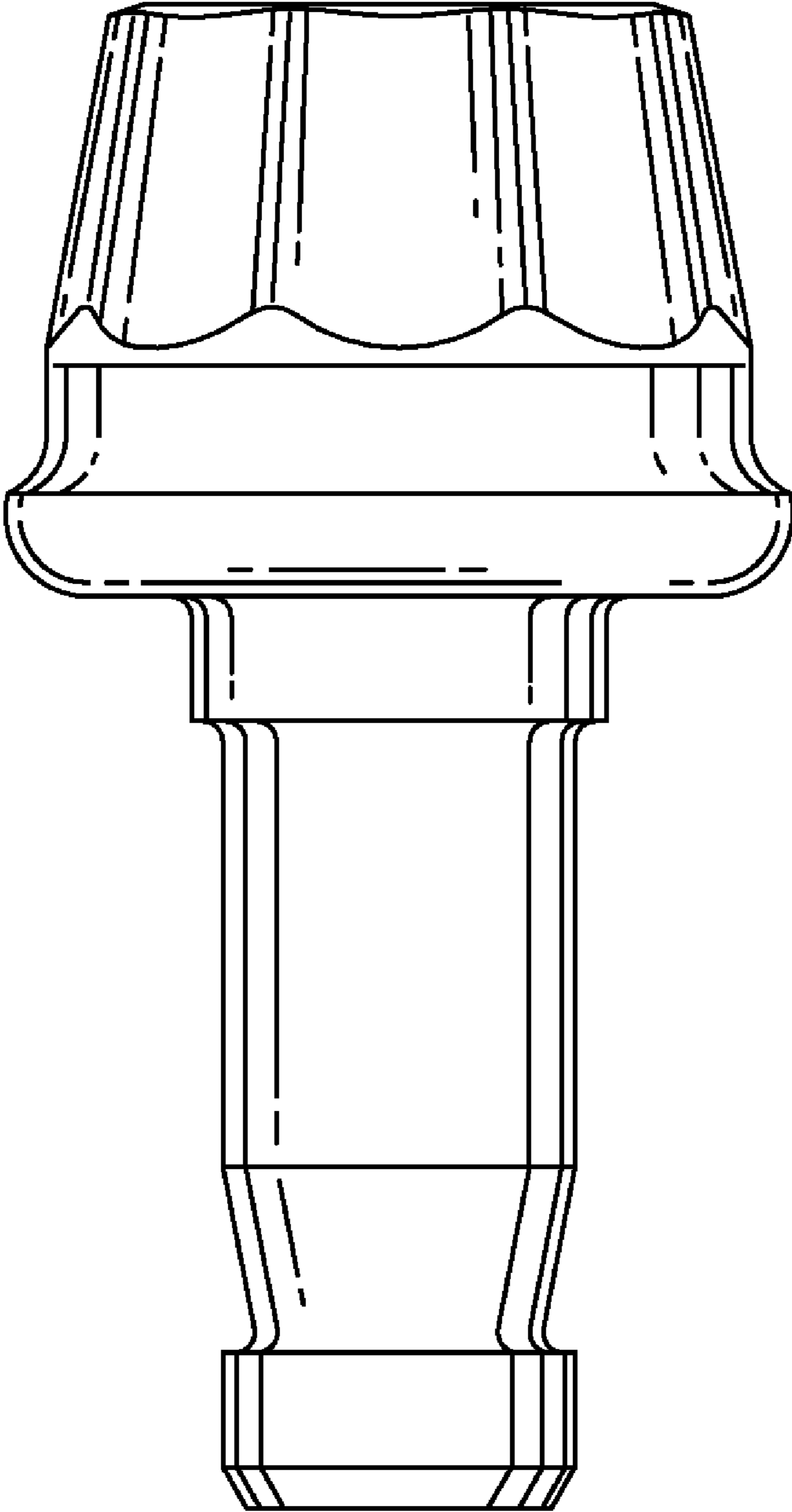


Fig. 2

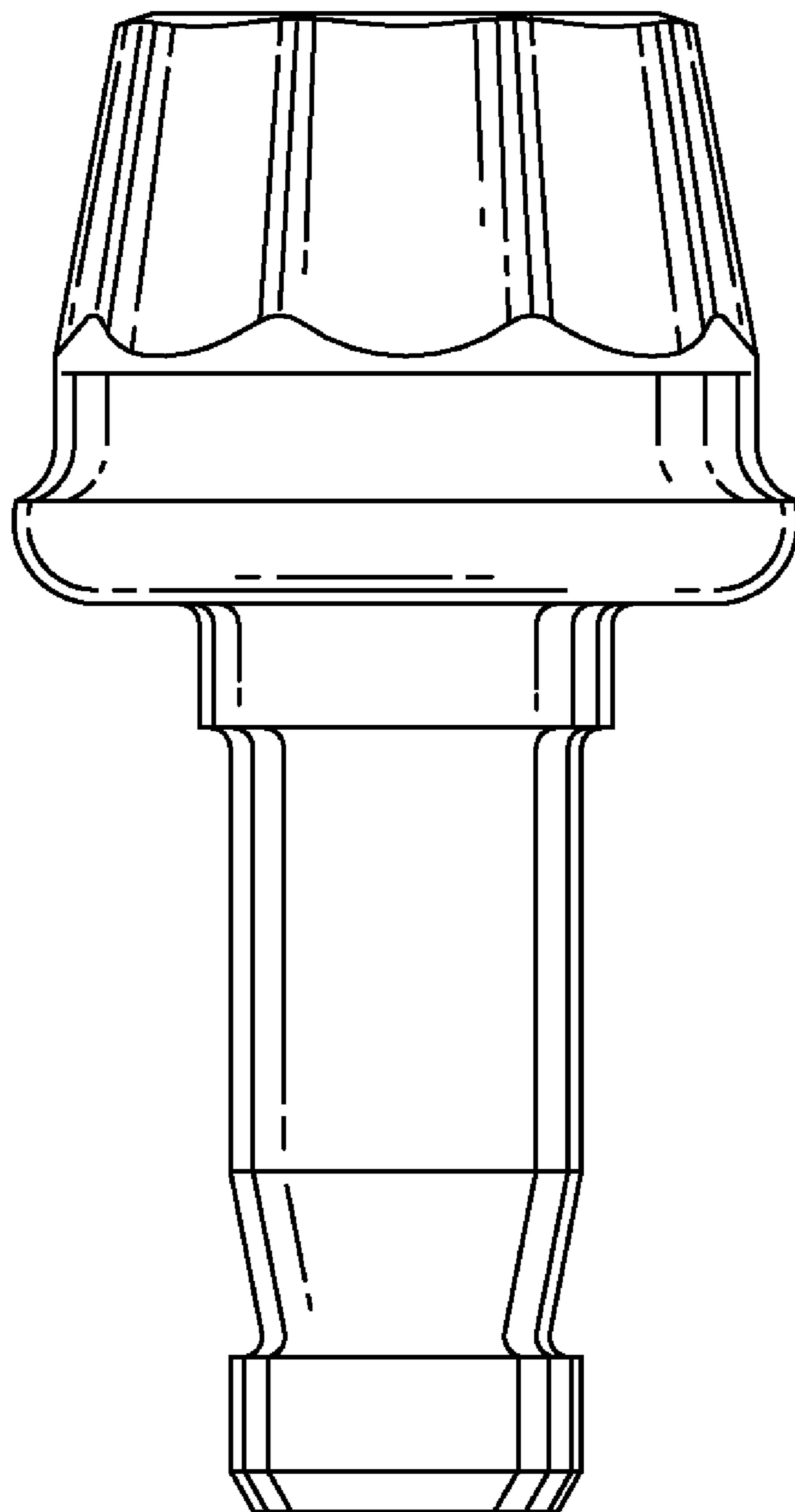


Fig. 3

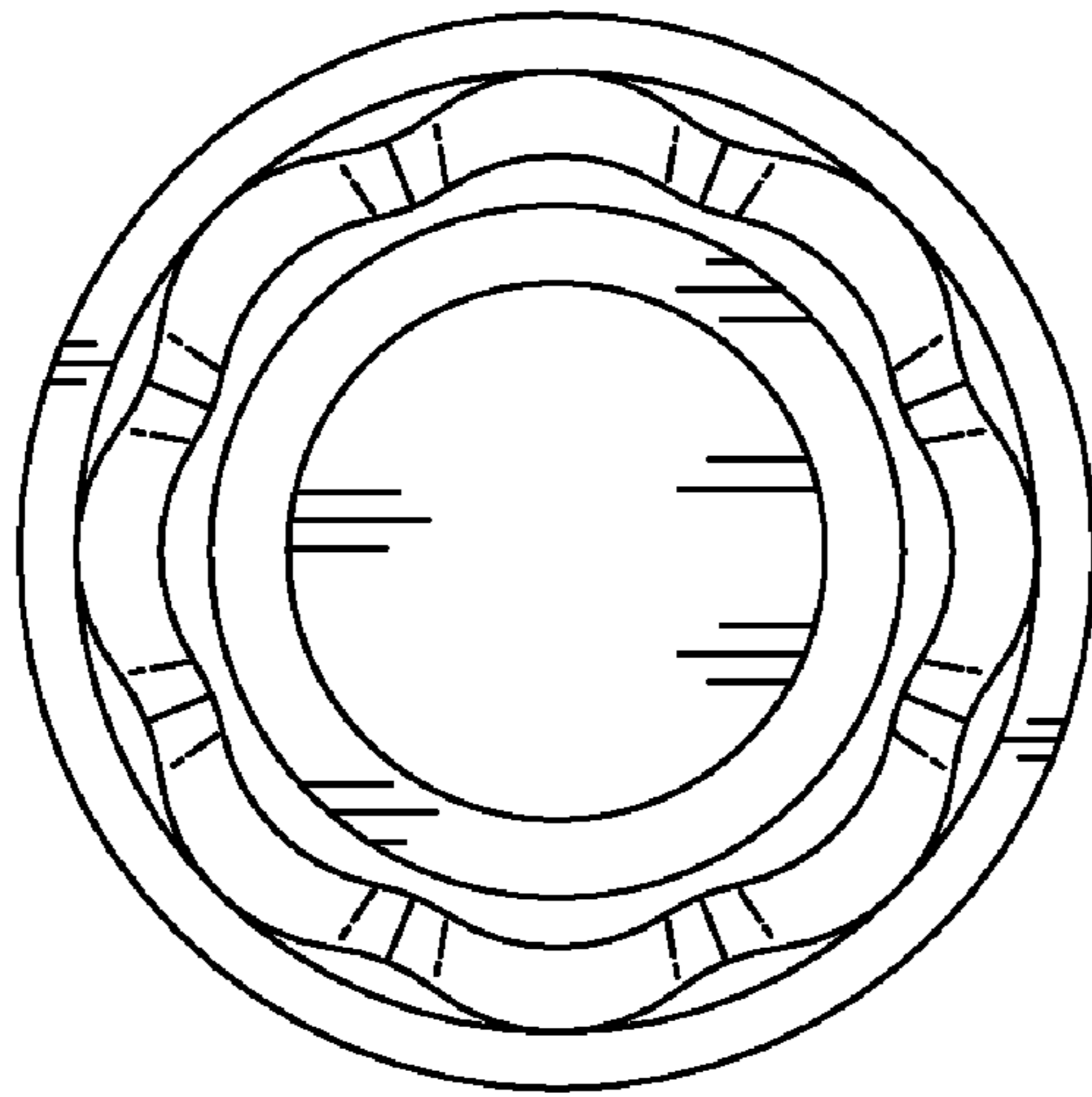


Fig. 4

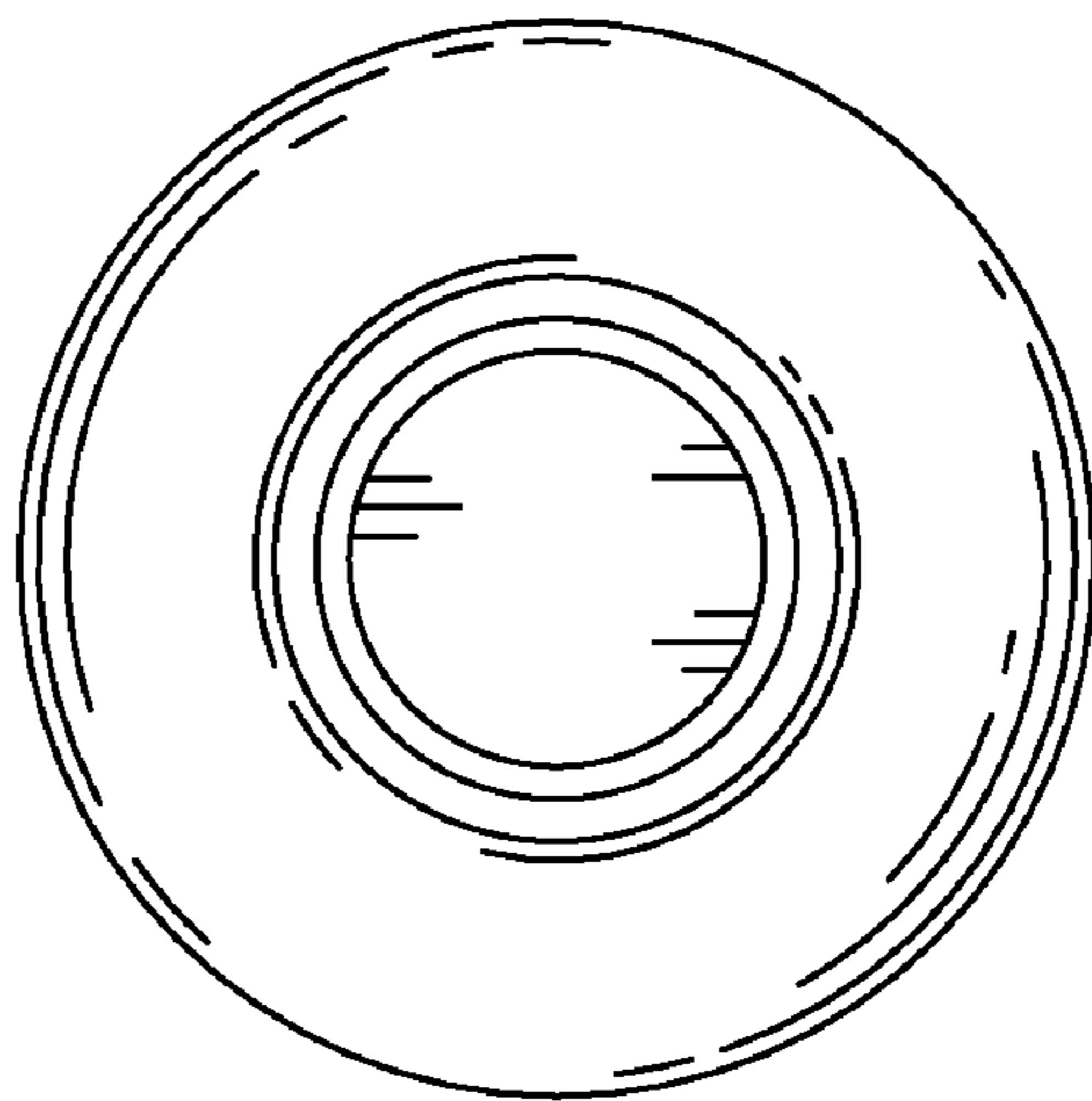


Fig. 5