

US00D558241S

(12) **United States Design Patent** (10) **Patent No.:** **US D558,241 S**
Chiang (45) **Date of Patent:** **** Dec. 25, 2007**

(54) **CHISEL**

(75) Inventor: **Chun-Li Chiang**, Taichung (TW)

(73) Assignee: **Everpads Co., Ltd.**, Taichung (TW)

(**) Term: **14 Years**

(21) Appl. No.: **29/280,149**

(22) Filed: **May 17, 2007**

(51) **LOC (8) Cl.** **15-09**

(52) **U.S. Cl.** **D15/139**

(58) **Field of Classification Search** D8/70;
D15/138, 139, 140; 175/57, 420.1, 420.2;
299/104, 106-107; 407/113

See application file for complete search history.

(56) **References Cited**

U.S. PATENT DOCUMENTS

| | | | | |
|----------------|--------|---------------|-------|---------|
| D413,126 S * | 8/1999 | Warren et al. | | D15/21 |
| D420,013 S * | 2/2000 | Warren et al. | | D15/21 |
| D424,075 S * | 5/2000 | Streich | | D15/140 |
| D429,262 S * | 8/2000 | Streich | | D15/140 |
| 6,371,567 B1 * | 4/2002 | Sollami | | 299/104 |
| 6,585,327 B2 * | 7/2003 | Sollami | | 299/107 |
| D488,170 S * | 4/2004 | Sollami | | D15/21 |

| | | | | |
|-------------------|---------|-----------------|-------|---------|
| D520,035 S * | 5/2006 | Kammerer | | D15/139 |
| 2002/0074851 A1 * | 6/2002 | Montgomery, Jr. | | 299/107 |
| 2003/0193235 A1 * | 10/2003 | Sollami | | 299/106 |
| 2007/0052279 A1 * | 3/2007 | Sollami | | 299/106 |

* cited by examiner

Primary Examiner—Gary D. Watson

Assistant Examiner—Patricia Palasik

(74) *Attorney, Agent, or Firm*—Pai Patent & Trademark Law Firm; Chao-Chang David Pai

(57) **CLAIM**

The ornamental design for a chisel, as shown and described.

DESCRIPTION

FIG. 1 is a perspective view of a chisel showing my new design;

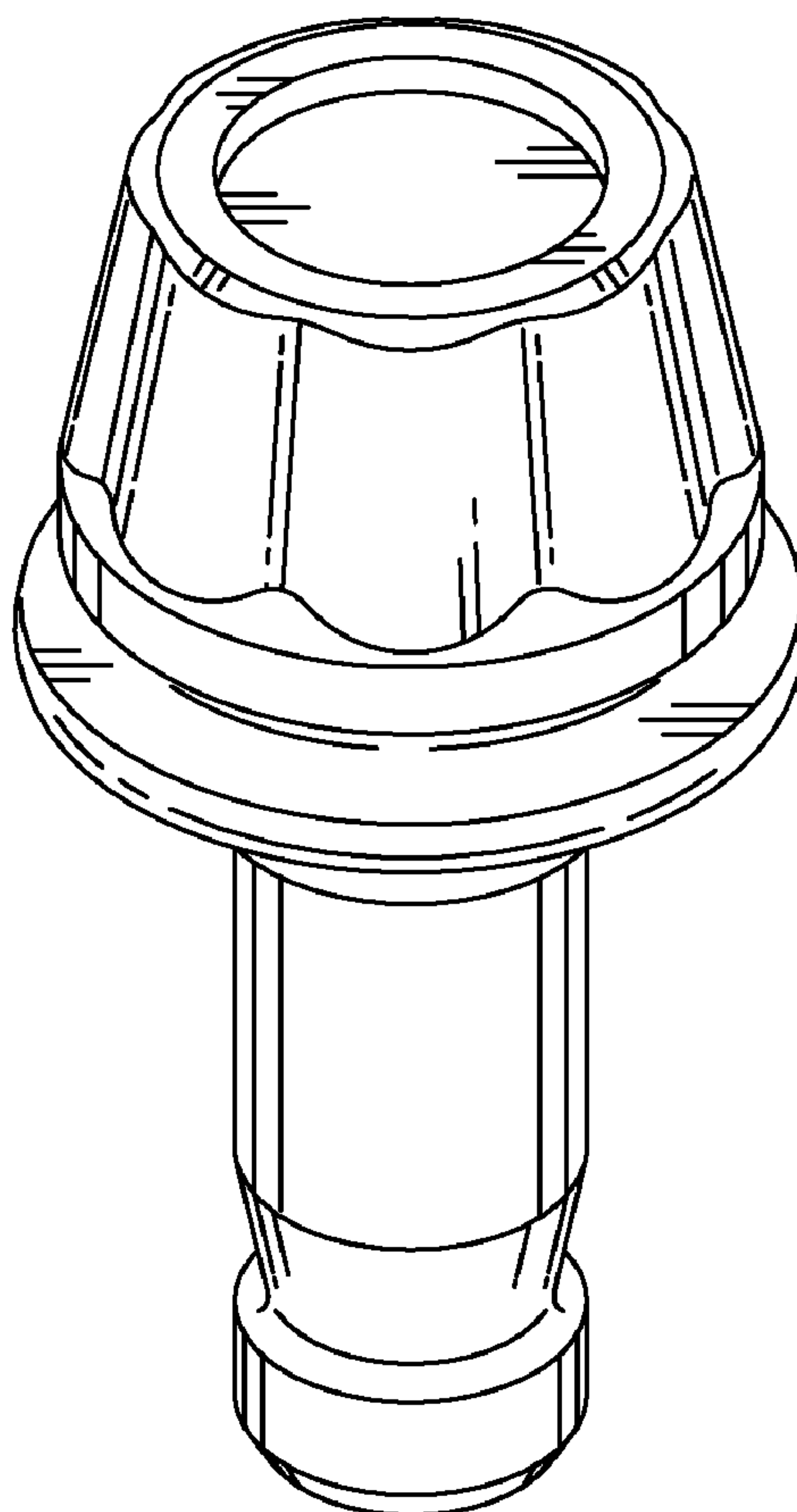
FIG. 2 is a front view thereof, the rear view being a mirror image of the front view;

FIG. 3 is a left side view thereof, the right side view being a mirror image of the left side view;

FIG. 4 is a top view thereof; and,

FIG. 5 is a bottom view thereof.

1 Claim, 4 Drawing Sheets



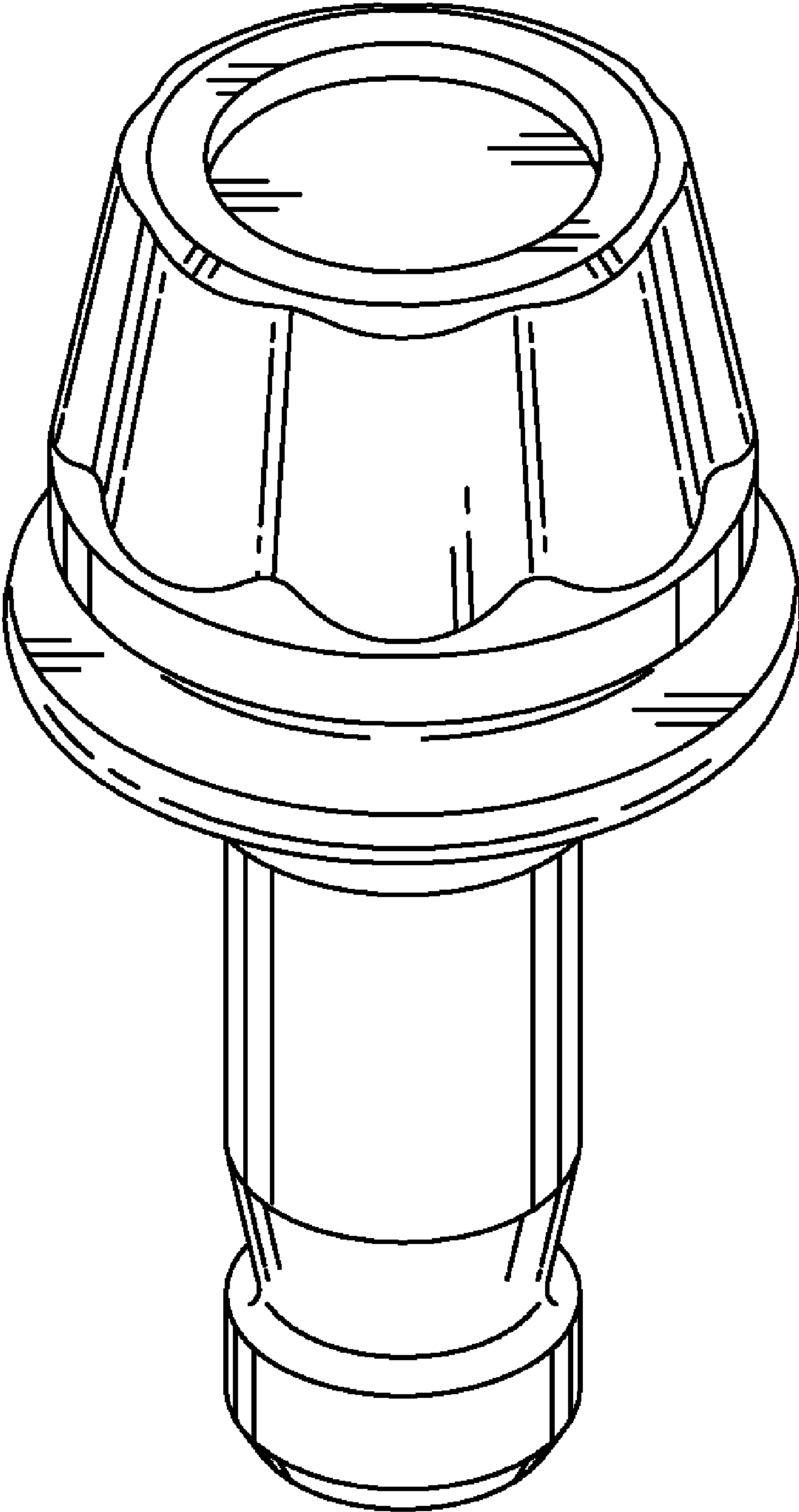


Fig. 1

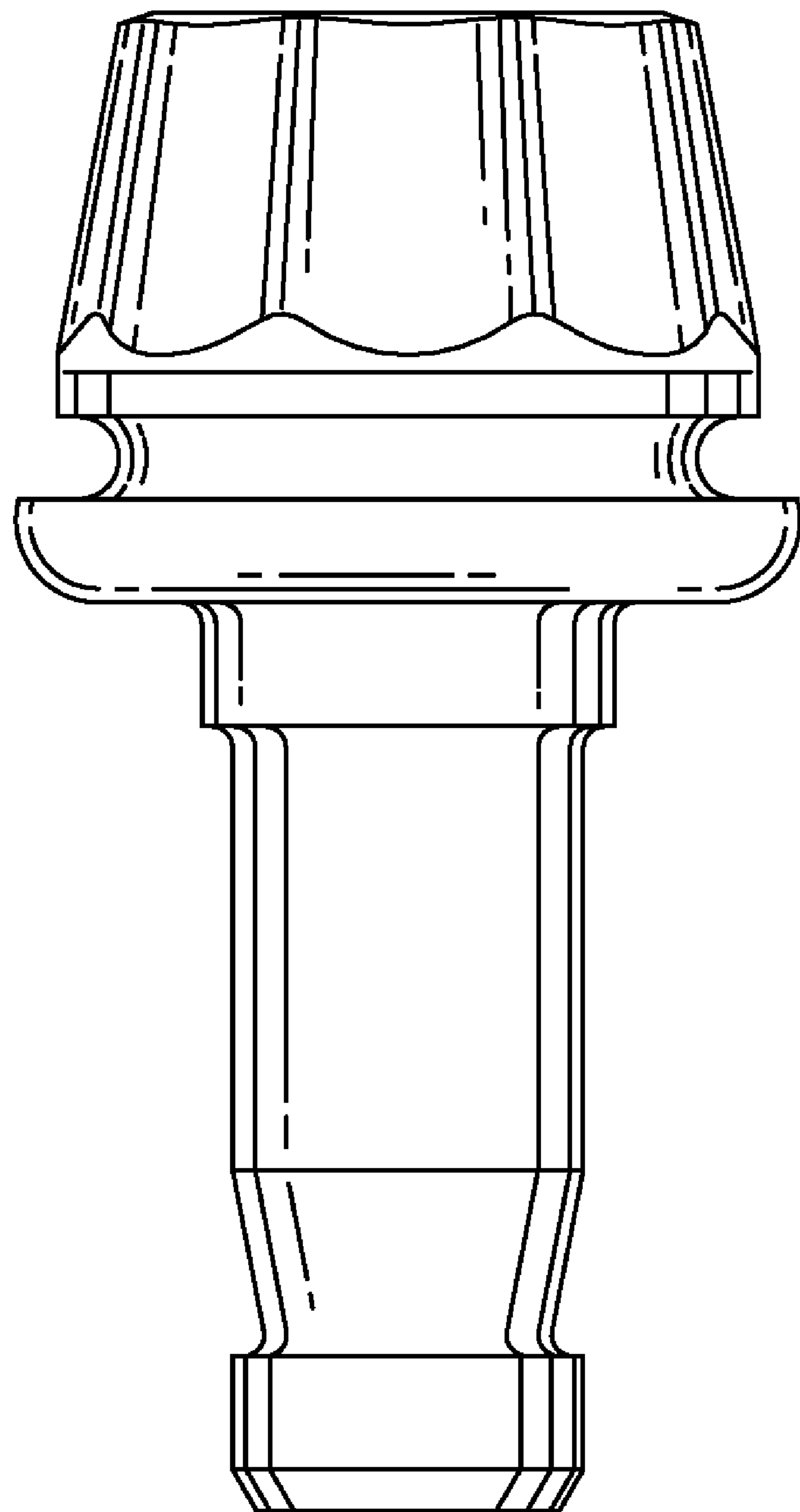


Fig. 2

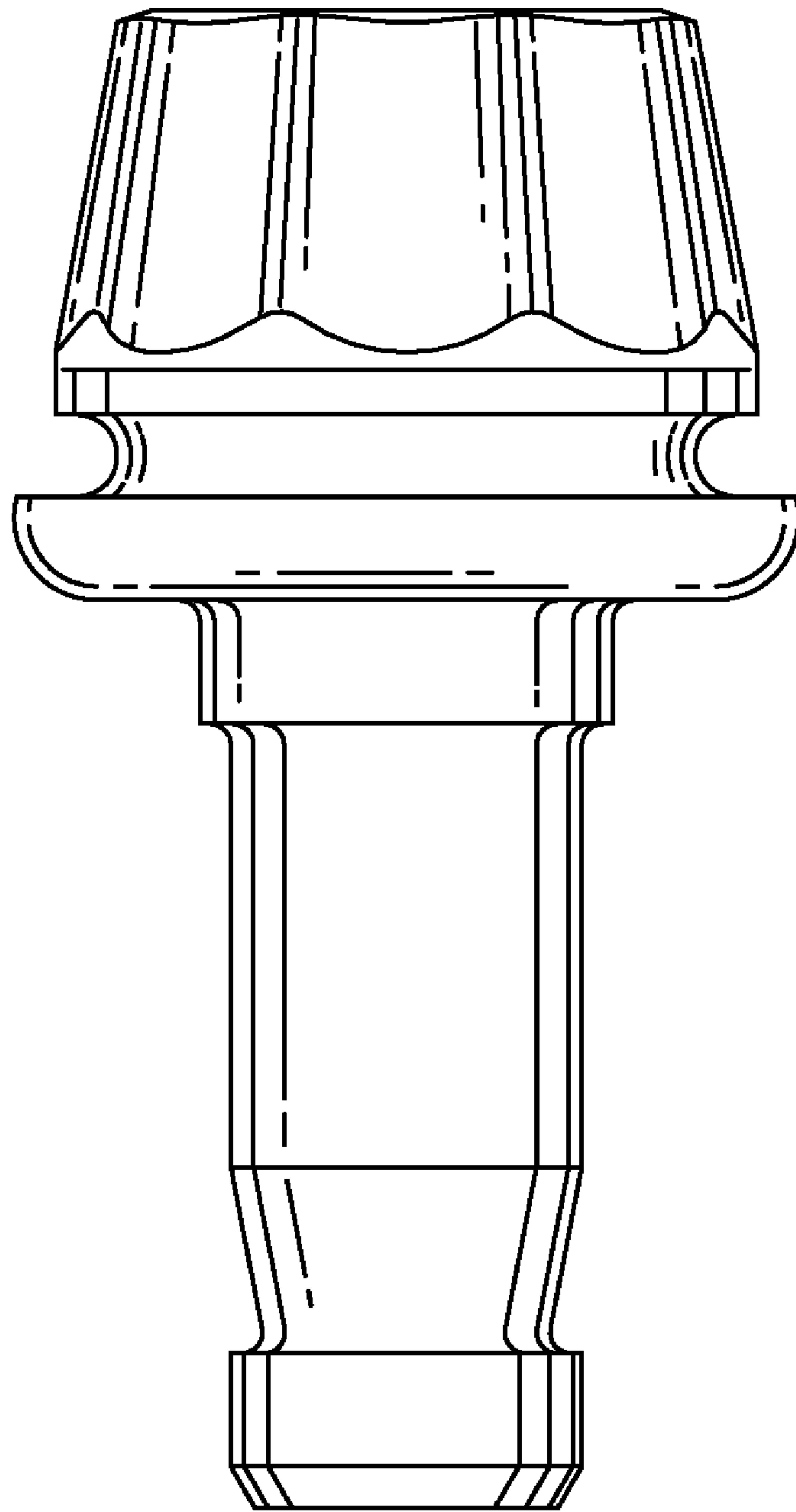


Fig. 3

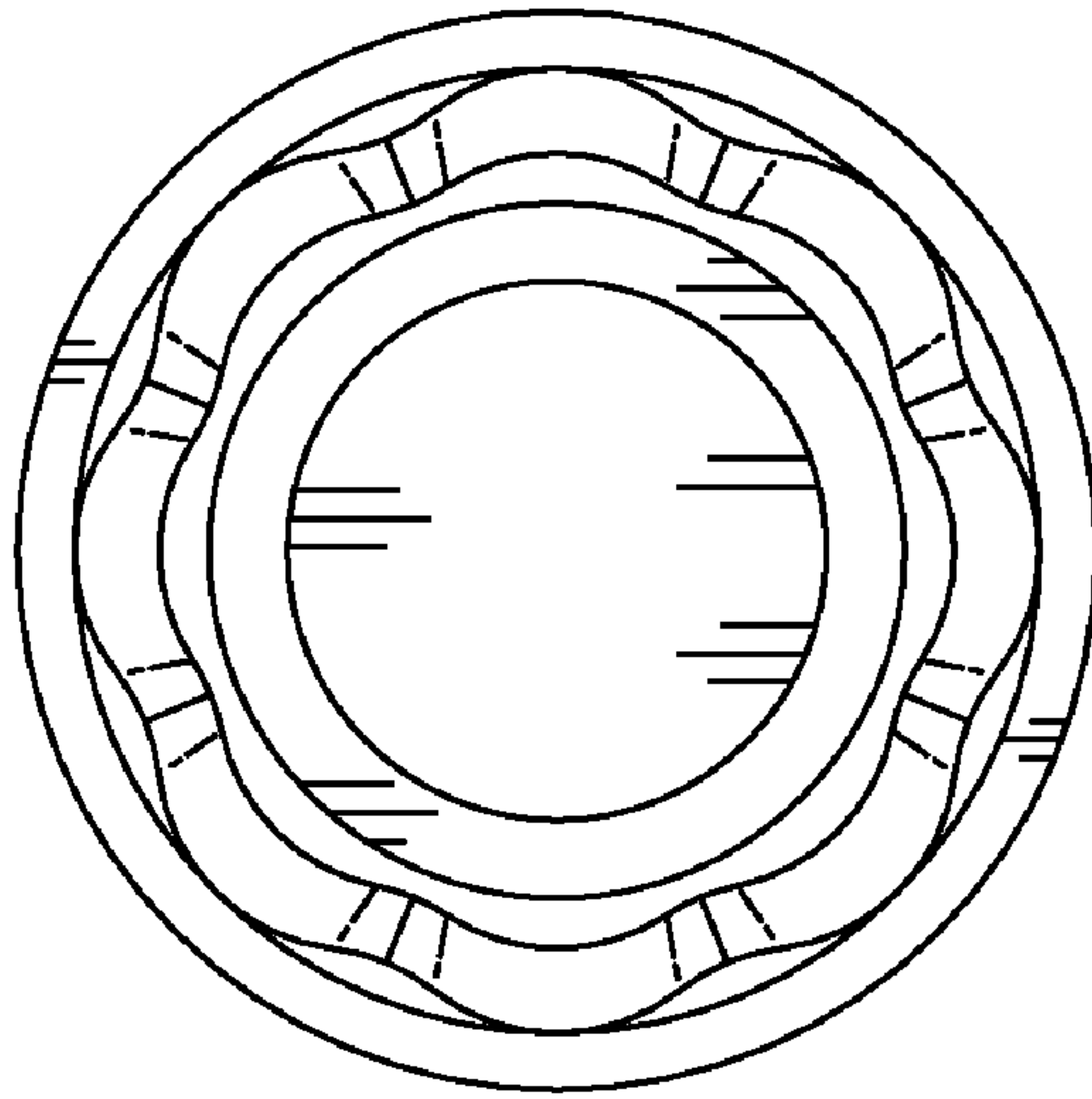


Fig. 4

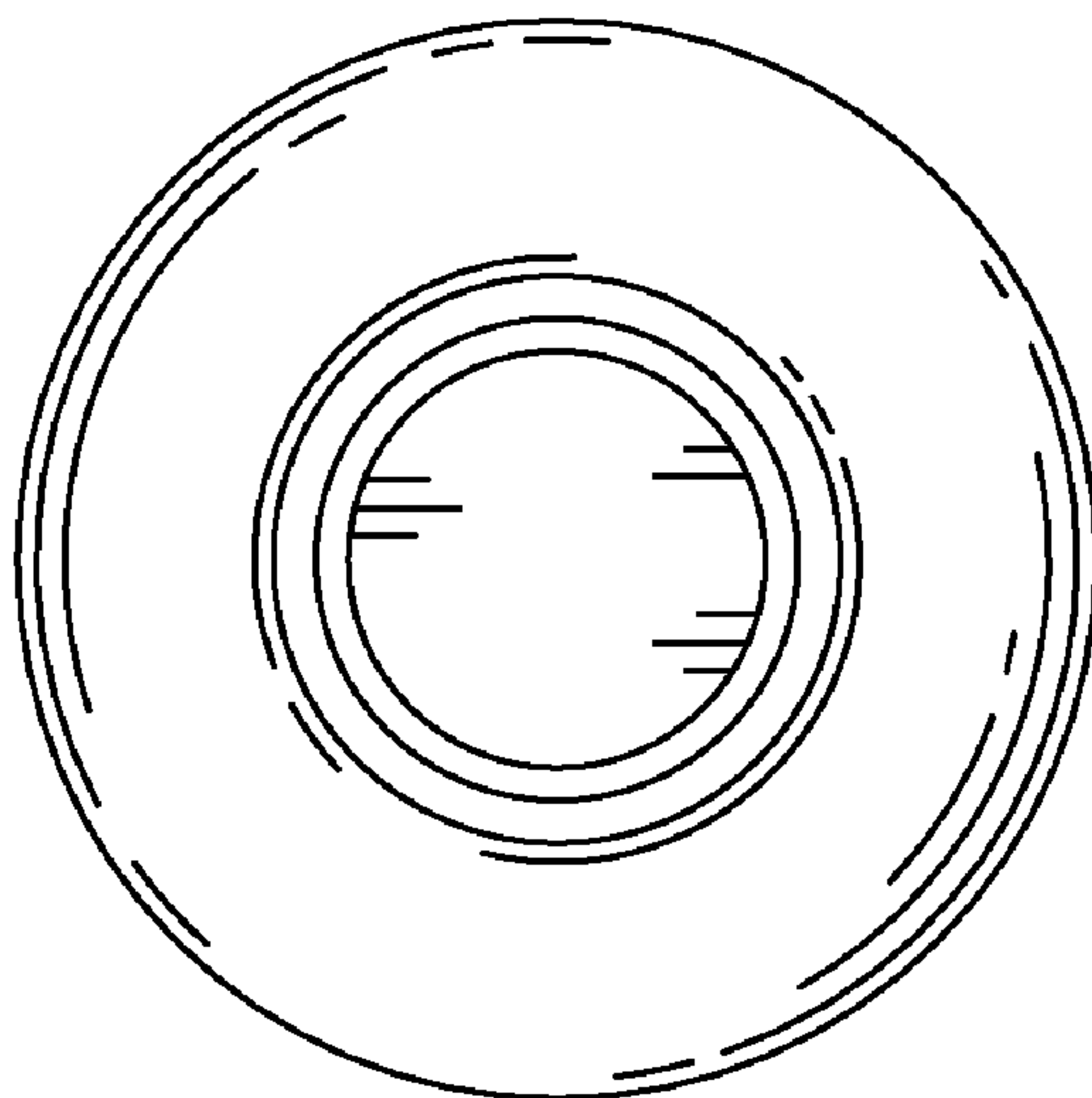


Fig. 5