



US00D558240S

(12) **United States Design Patent**
Wang

(10) **Patent No.:** **US D558,240 S**

(45) **Date of Patent:** **** Dec. 25, 2007**

(54) **SHANK OF GRINDING PEN**

D415,180 S * 10/1999 Rosanwo D15/140
D492,708 S * 7/2004 Wang D15/133
D542,813 S * 5/2007 Rosenbaum et al. D15/139

(76) Inventor: **Hsi-Chang Wang**, 1F, No.8-4, Lane 17,
Sec. 3, Longmi Rd., Bali Township,
Taipei Hsien (TW)

* cited by examiner

(**) Term: **14 Years**

Primary Examiner—Antoine D. Davis

Assistant Examiner—Patricia Palasik

(21) Appl. No.: **29/274,700**

(74) *Attorney, Agent, or Firm*—Bacon & Thomas, PLLC

(22) Filed: **May 17, 2007**

(57) **CLAIM**

(51) **LOC (8) Cl.** **15-09**

The ornamental design for a shank of grinding pen, as shown and described.

(52) **U.S. Cl.** **D15/133; D15/139**

(58) **Field of Classification Search** D15/133,
D15/138, 140; 76/30-45, 48

See application file for complete search history.

DESCRIPTION

(56) **References Cited**

FIG. 1 is a perspective view of a shank of grinding pen showing my new design

FIG. 2 is a front elevational view thereof;

FIG. 3 is a rear elevational view thereof;

FIG. 4 is a left side elevational view thereof;

FIG. 5 is a right side elevational view thereof;

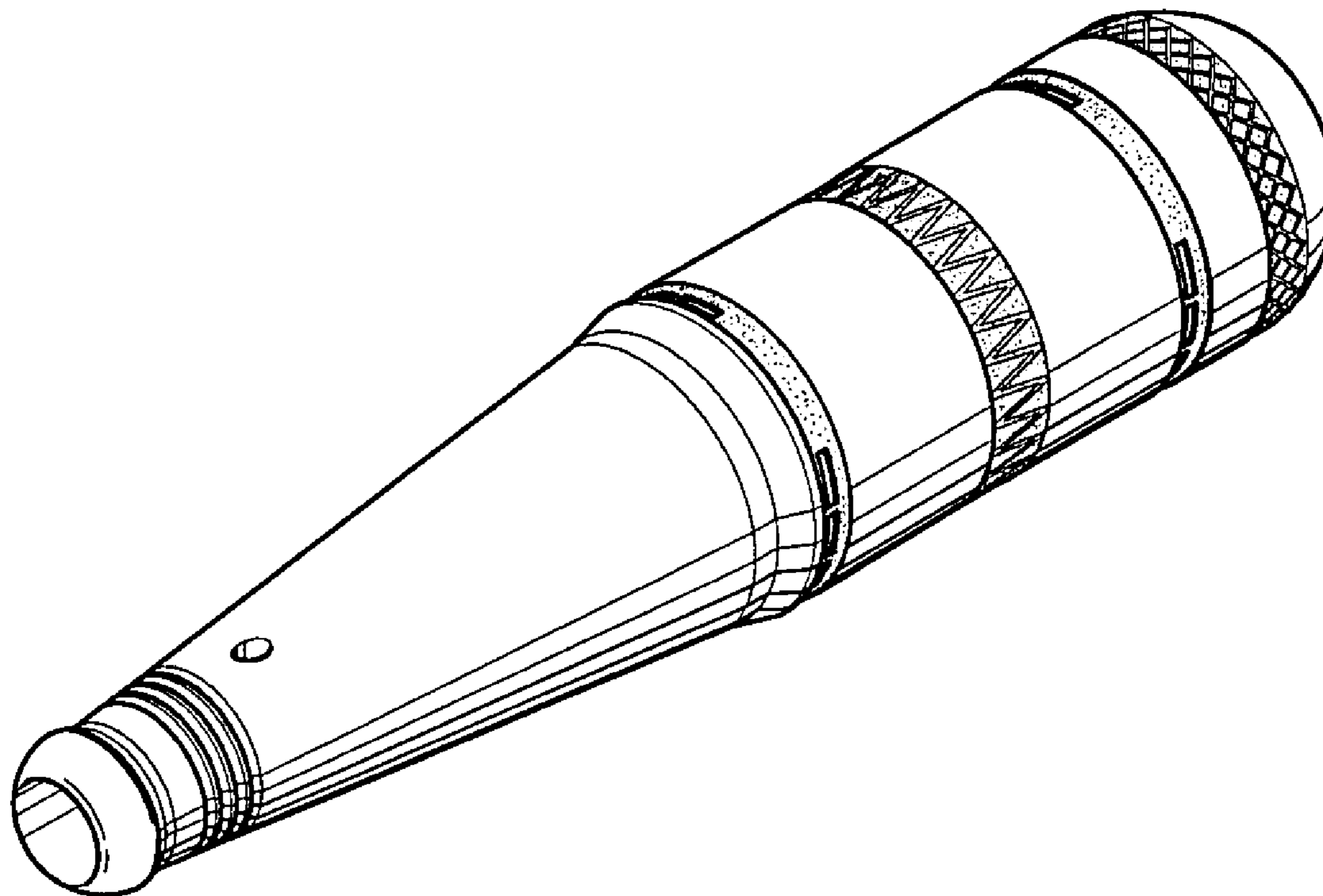
FIG. 6 is a top plan view thereof; and,

FIG. 7 is a bottom plan view thereof.

U.S. PATENT DOCUMENTS

1,457,880 A * 6/1923 Masow 76/31
D234,624 S * 3/1975 Adolfsson D15/138
4,010,661 A * 3/1977 Fletcher 76/36
4,325,664 A * 4/1982 Mori D15/139
D336,094 S * 6/1993 Dejanon D15/138
5,241,882 A * 9/1993 Eriksson 76/36
D354,498 S * 1/1995 Hatcher D15/139
D363,294 S * 10/1995 Ellis D15/139

1 Claim, 4 Drawing Sheets



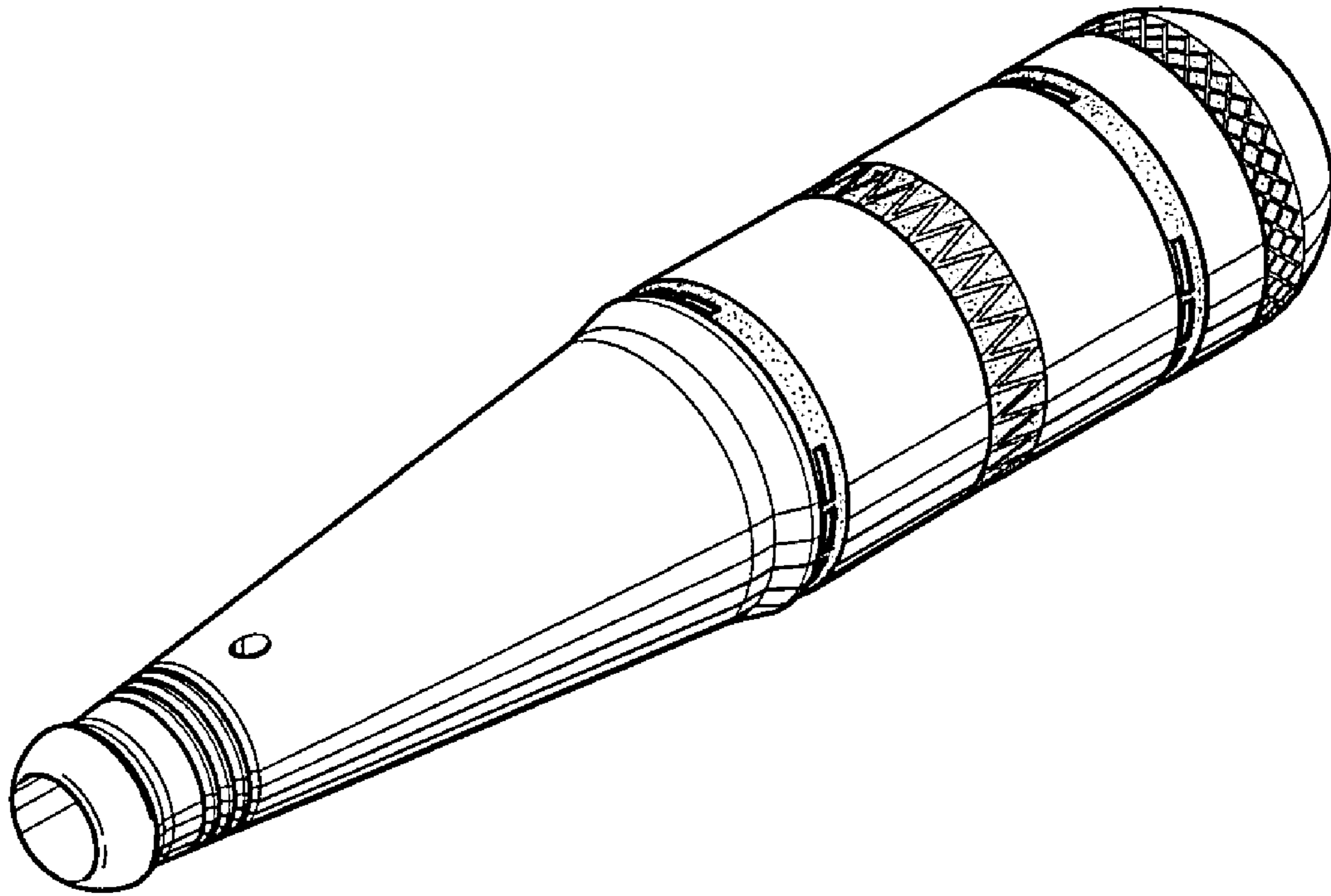


FIG. 1

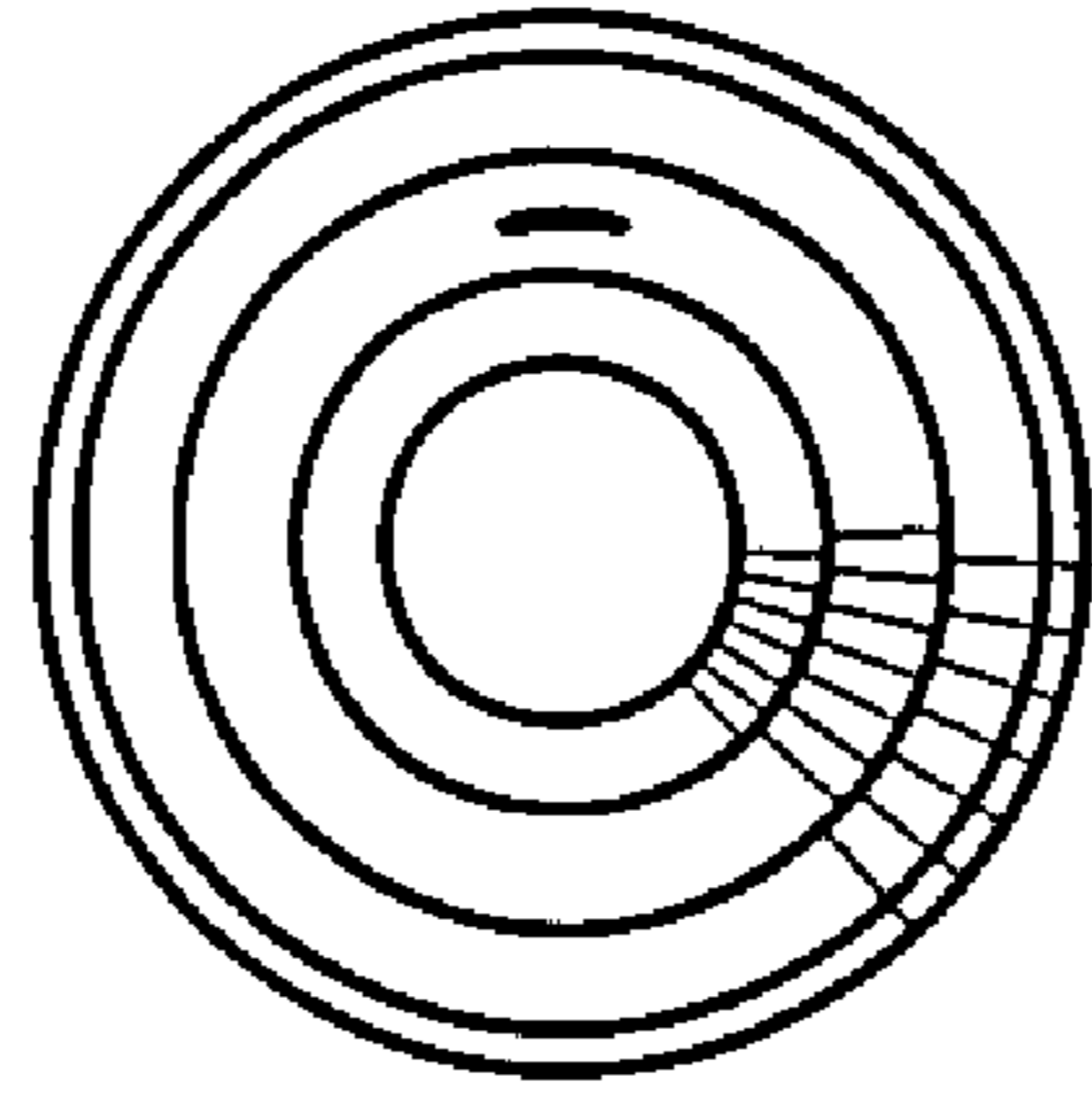


FIG. 2

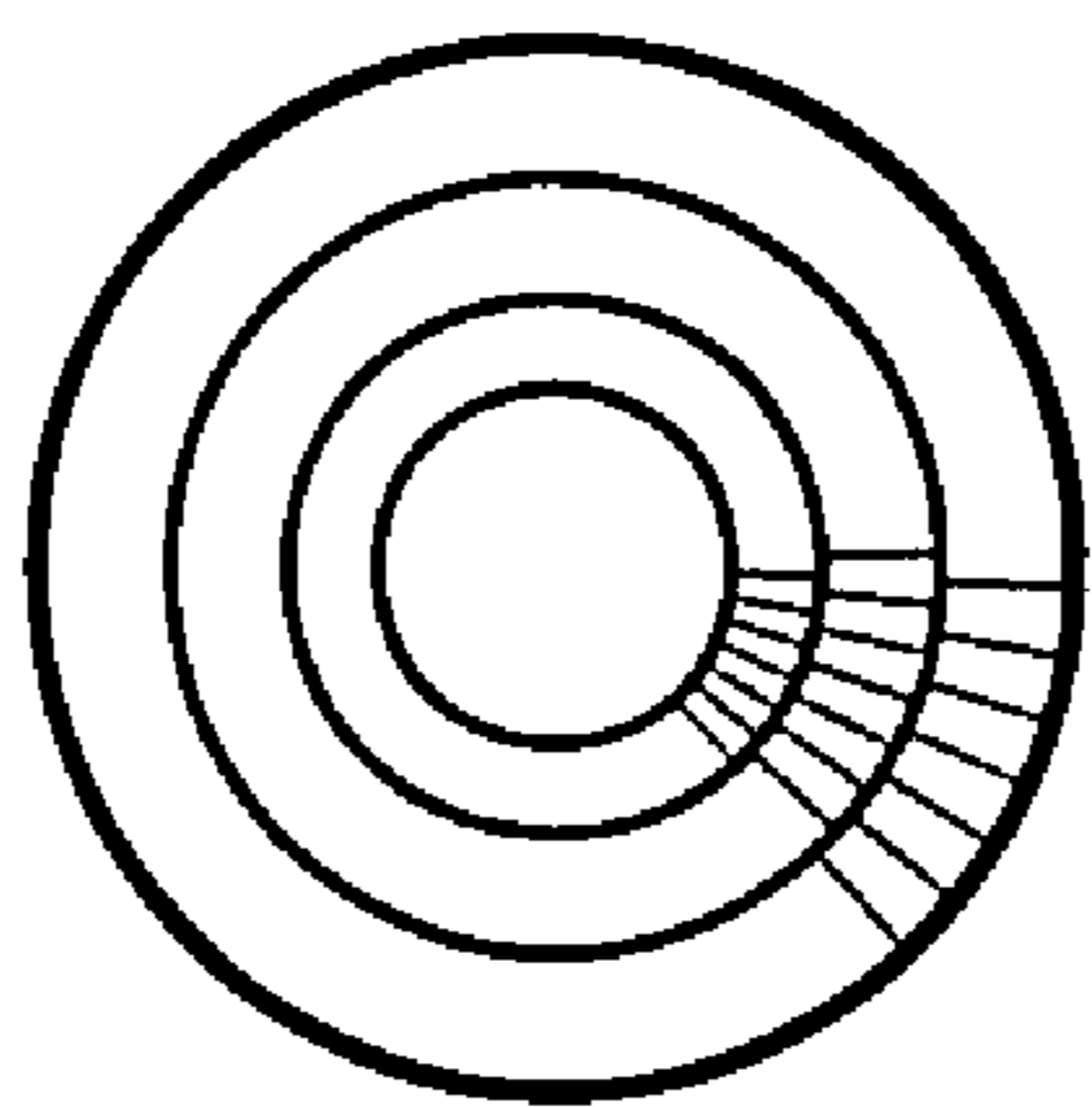


FIG. 3

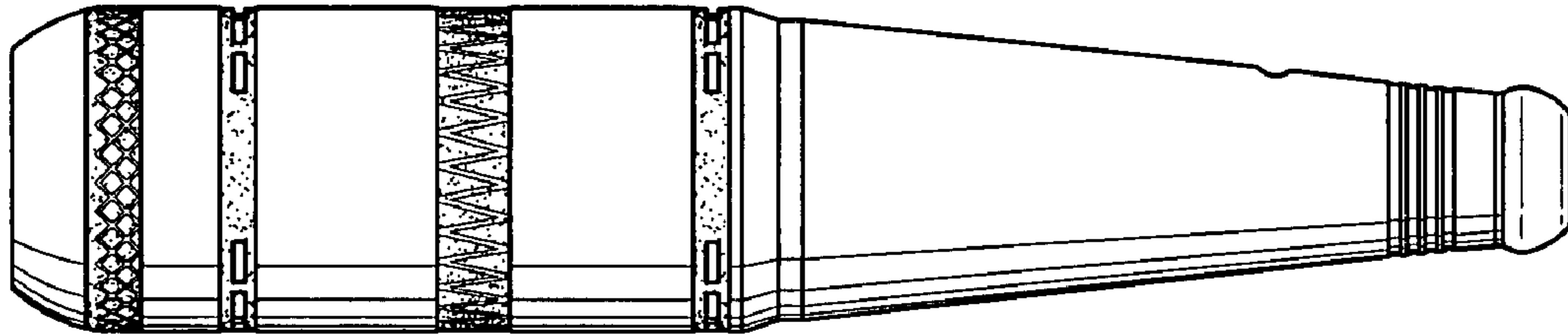


FIG. 4

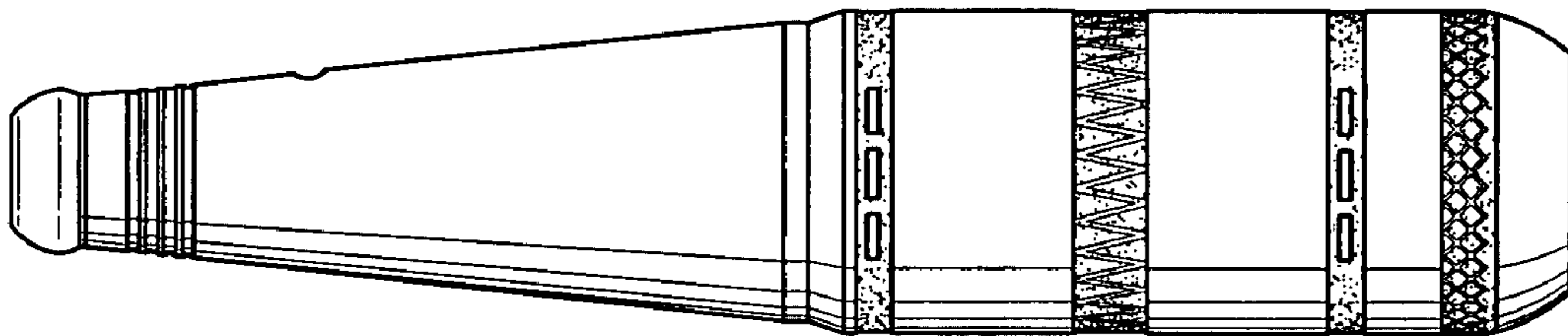


FIG. 5

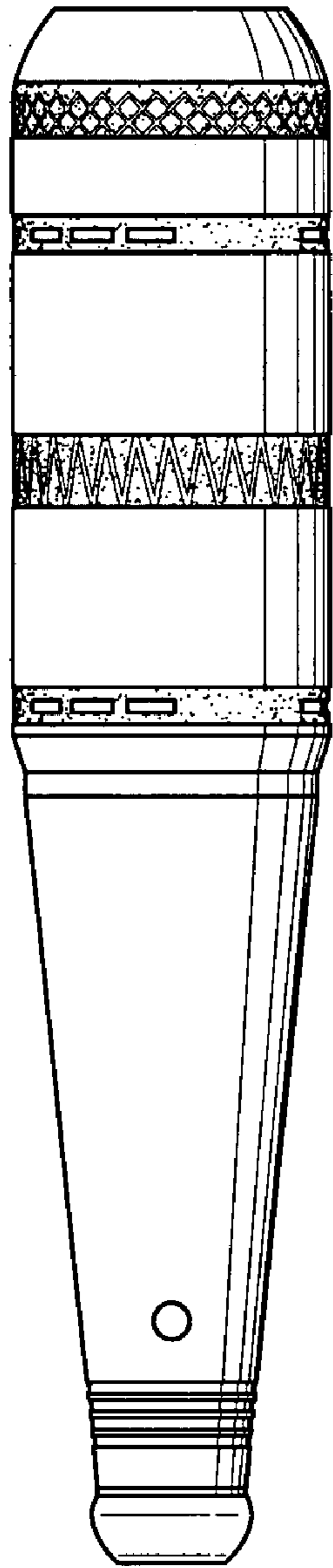


FIG. 6

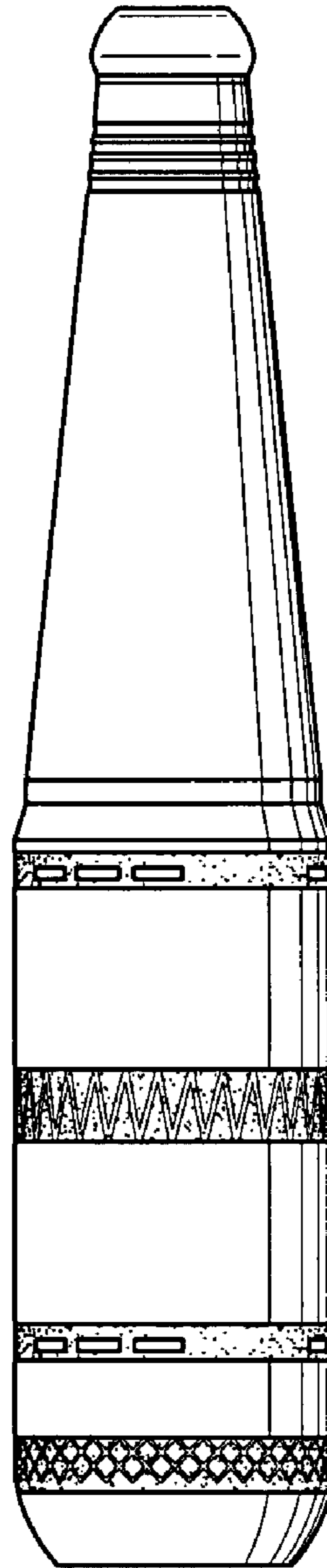


FIG. 7