



US00D558239S

(12) **United States Design Patent**
Takemoto et al.

(10) **Patent No.: US D558,239 S**

(45) **Date of Patent: ** Dec. 25, 2007**

(54) **PORTABLE REFRIGERATOR**

(75) Inventors: **Masahiro Takemoto**, Ota (JP); **Hideo Sakai**, Ota (JP); **Yoshiaki Amano**, Ota (JP)

(73) Assignee: **Sawafuji Electric Co., Ltd.**, Tokyo (JP)

(**) Term: **14 Years**

(21) Appl. No.: **29/272,163**

(22) Filed: **Feb. 2, 2007**

(30) **Foreign Application Priority Data**

Aug. 4, 2006 (JP) 2006-020661

(51) **LOC (8) Cl.** **15-07**

(52) **U.S. Cl.** **D15/79; D15/83**

(58) **Field of Classification Search** D15/79, D15/80, 81, 82, 83, 88; D7/605, 693; 62/3.6, 62/125, 126; 312/116, 138.1, 236, 405, 406; D6/432, 436, 445, 446; D23/335; 440/88 R
See application file for complete search history.

(56) **References Cited**

U.S. PATENT DOCUMENTS

D256,587 S * 8/1980 Tatsumi D15/83

D285,692 S * 9/1986 Albiez D15/81
5,423,702 A * 6/1995 Butler 440/88 R
D481,741 S * 11/2003 Yuen D15/81
D502,471 S * 3/2005 Yuen D15/81
D534,999 S * 1/2007 Hussaini et al. D23/335
D536,711 S * 2/2007 Sundheim et al. D15/79

* cited by examiner

Primary Examiner—Mitchell Siegel

Assistant Examiner—Shanda C. Hill

(74) *Attorney, Agent, or Firm*—Sughrue Mion Pllc.

(57) **CLAIM**

The ornamental design for a portable refrigerator, as shown.

DESCRIPTION

FIG. 1 is a perspective view of the top, front and left side of a portable refrigerator showing our new design;

FIG. 2 is a top plan view thereof;

FIG. 3 is a front elevational view thereof;

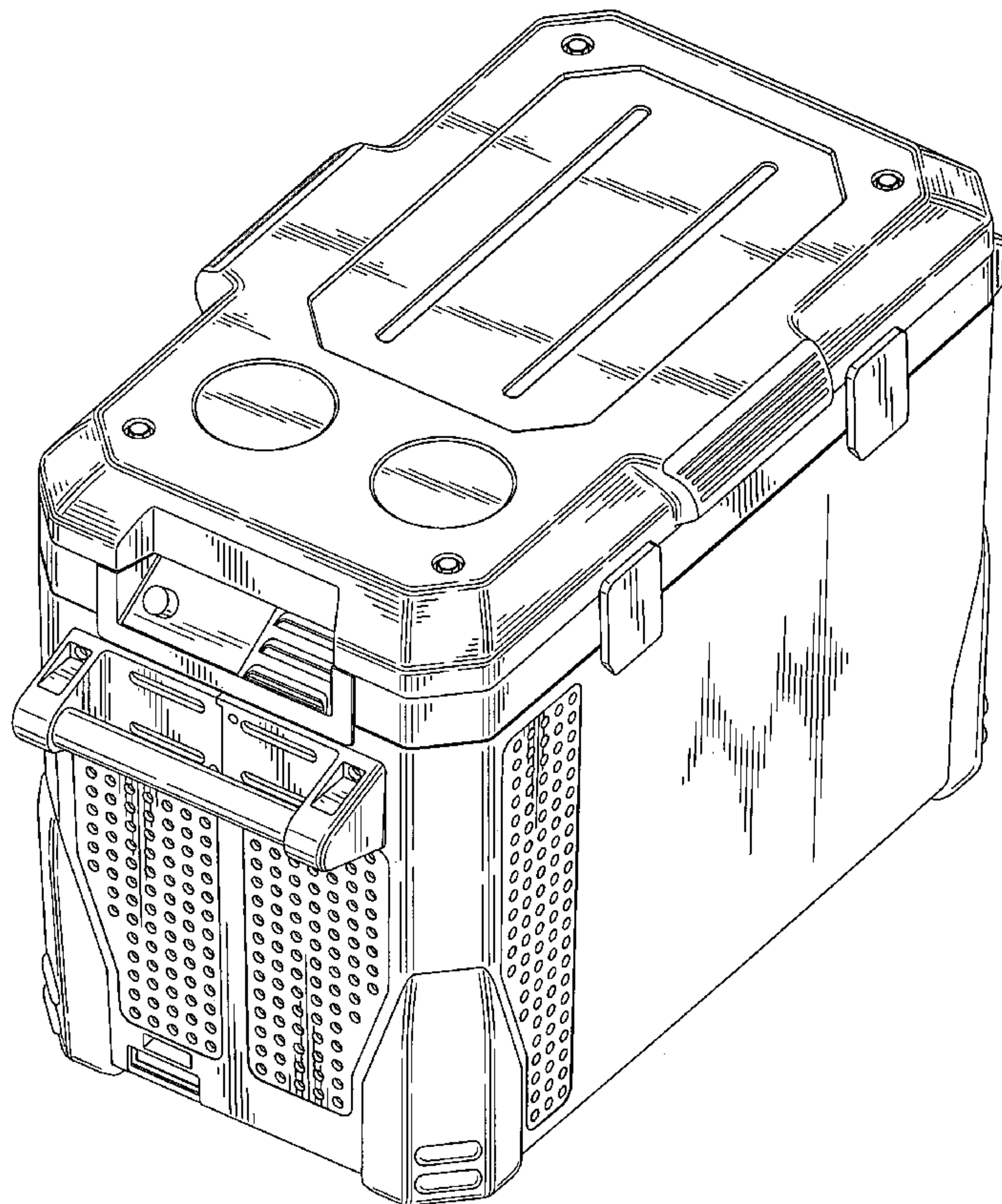
FIG. 4 is a left side elevational view thereof;

FIG. 5 is a right side elevational view thereof;

FIG. 6 is a rear elevational view thereof; and,

FIG. 7 is a bottom plan view thereof.

1 Claim, 7 Drawing Sheets



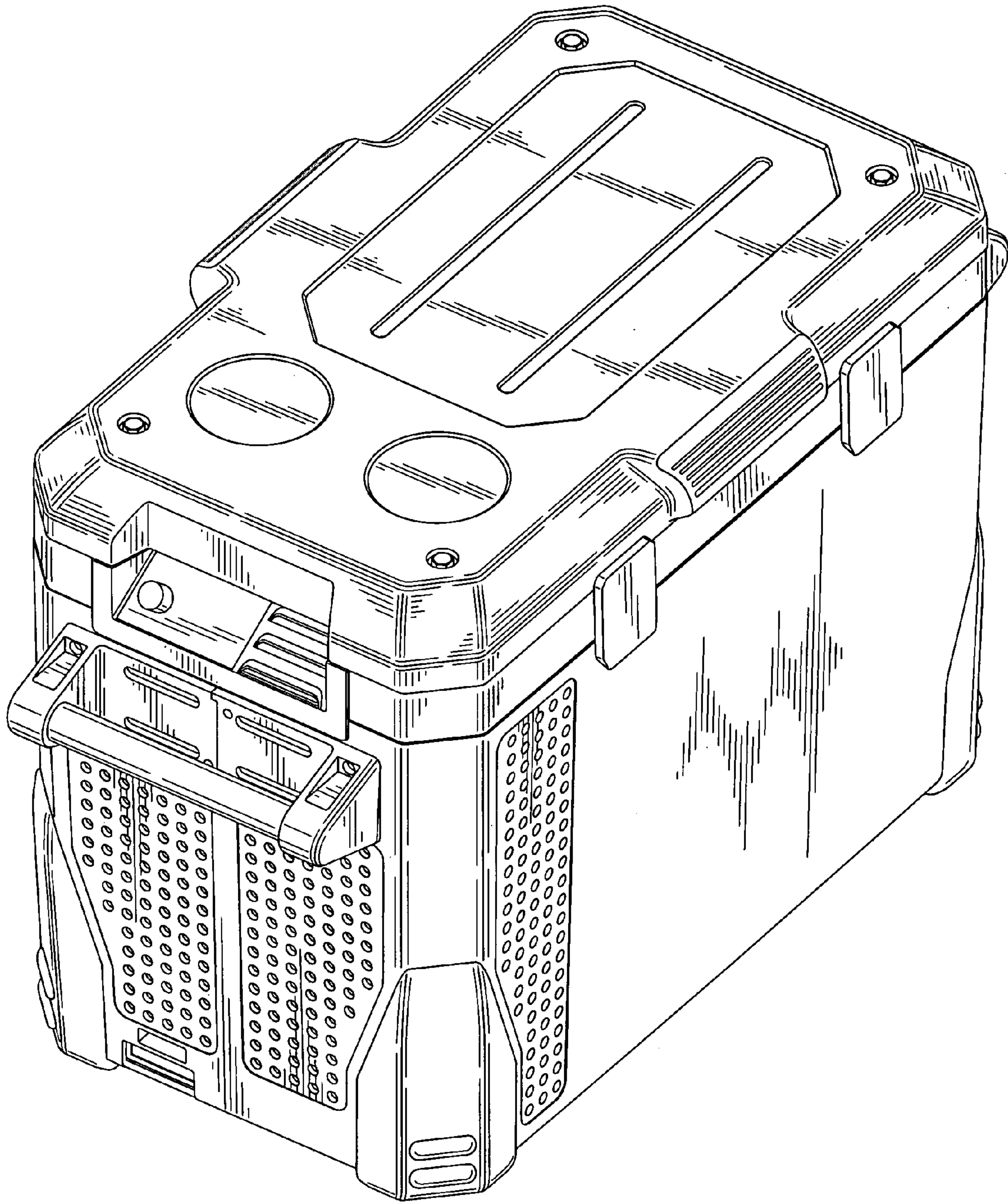


FIG. 1

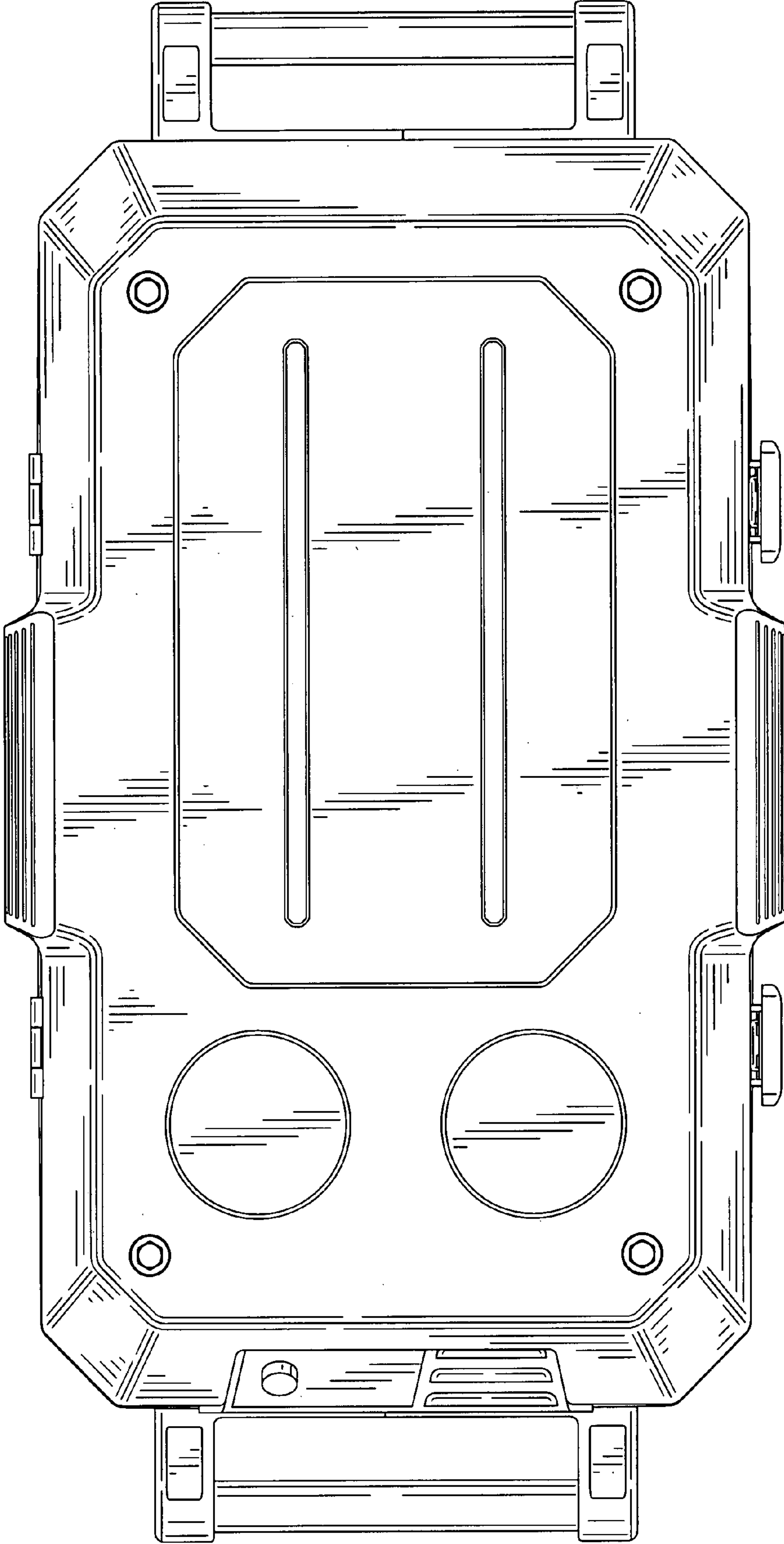


FIG. 2

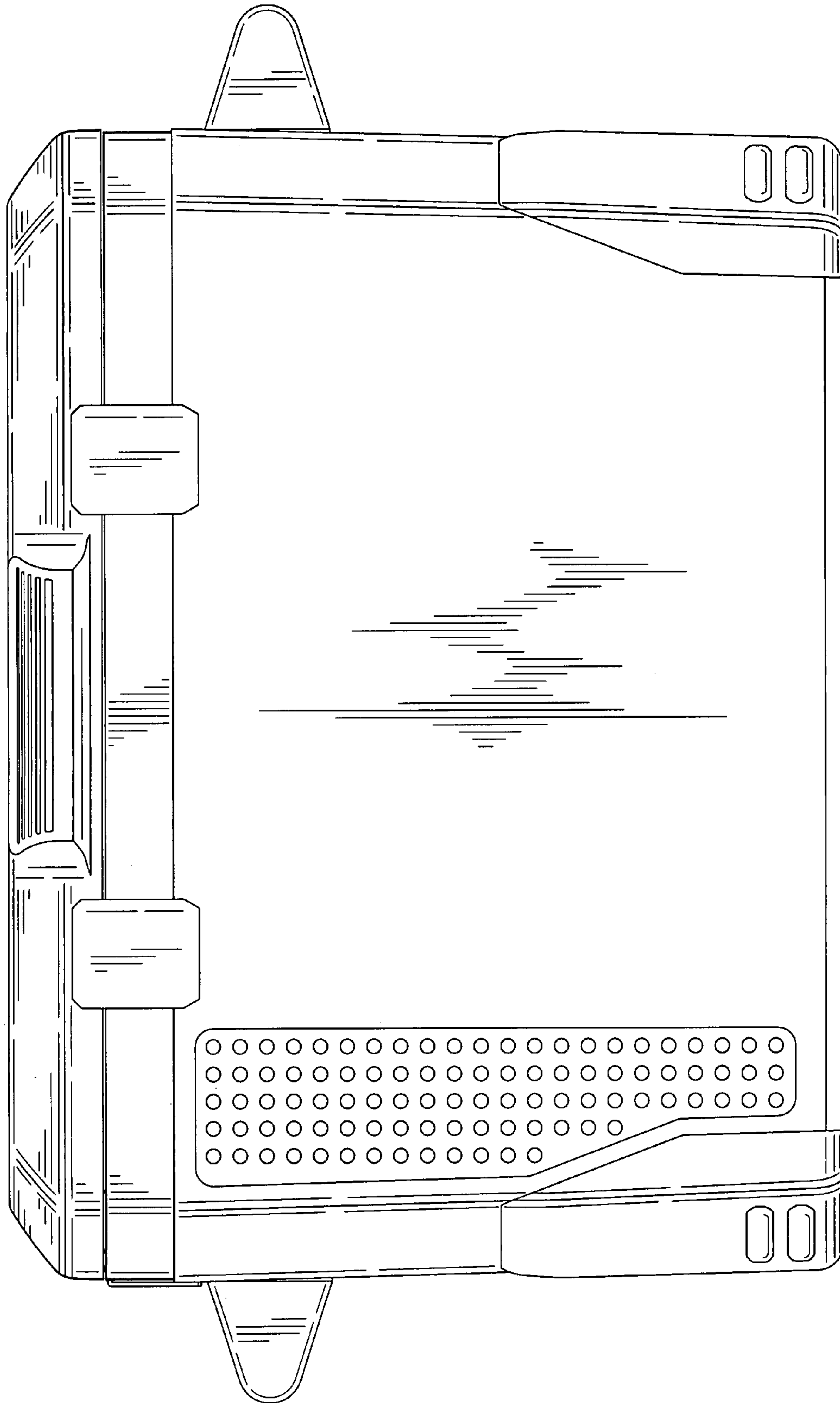


FIG. 3

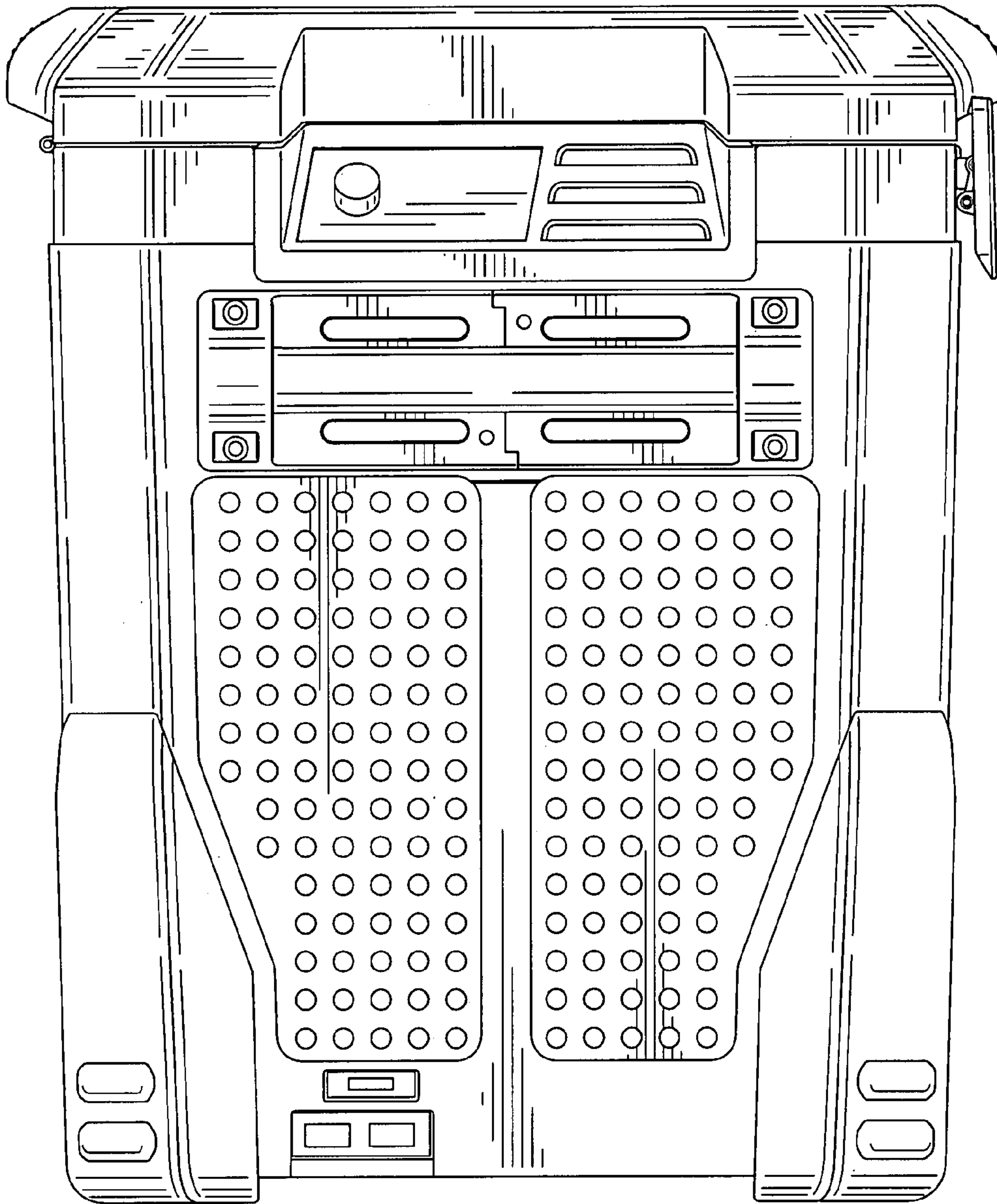


FIG. 4

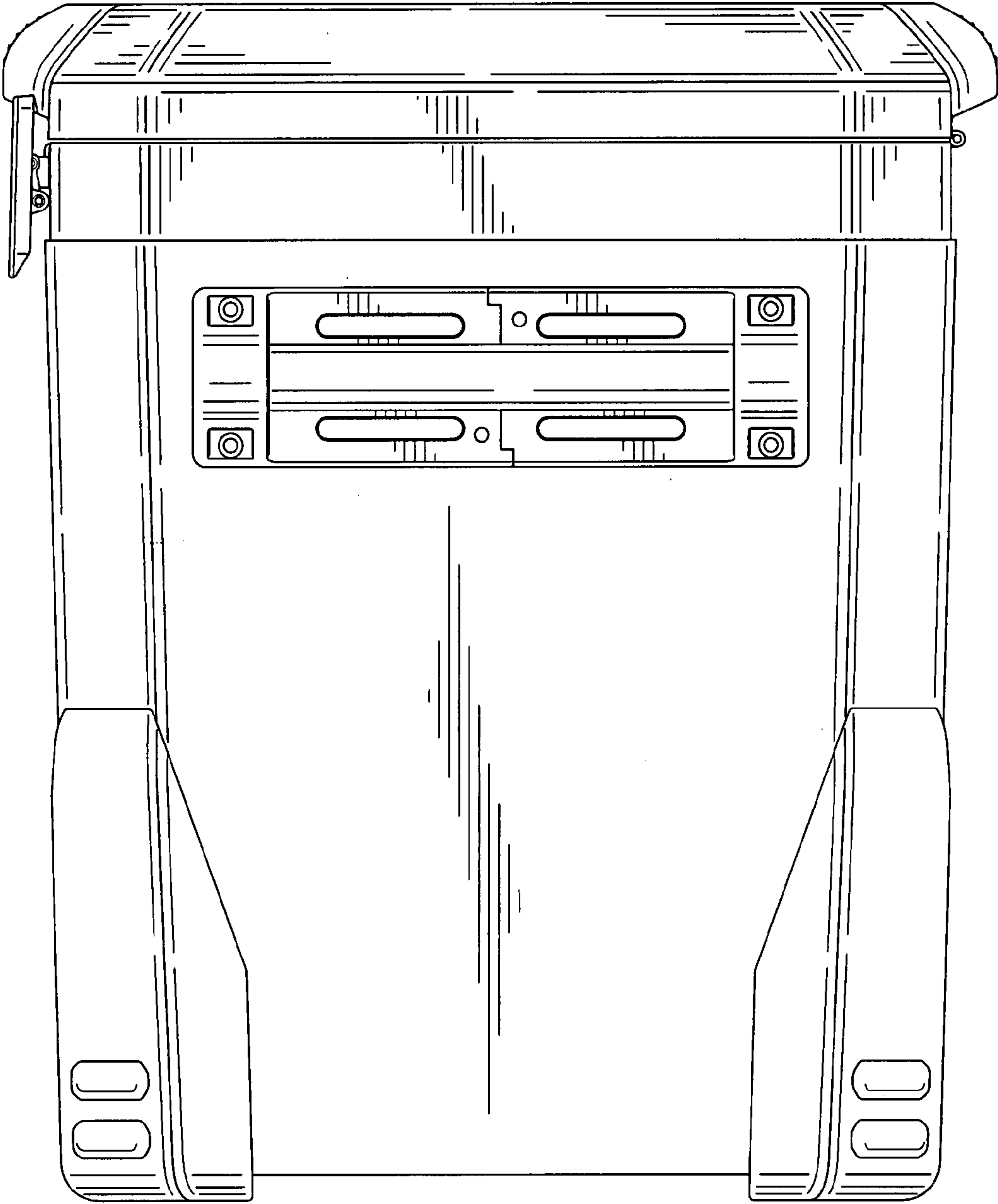


FIG. 5

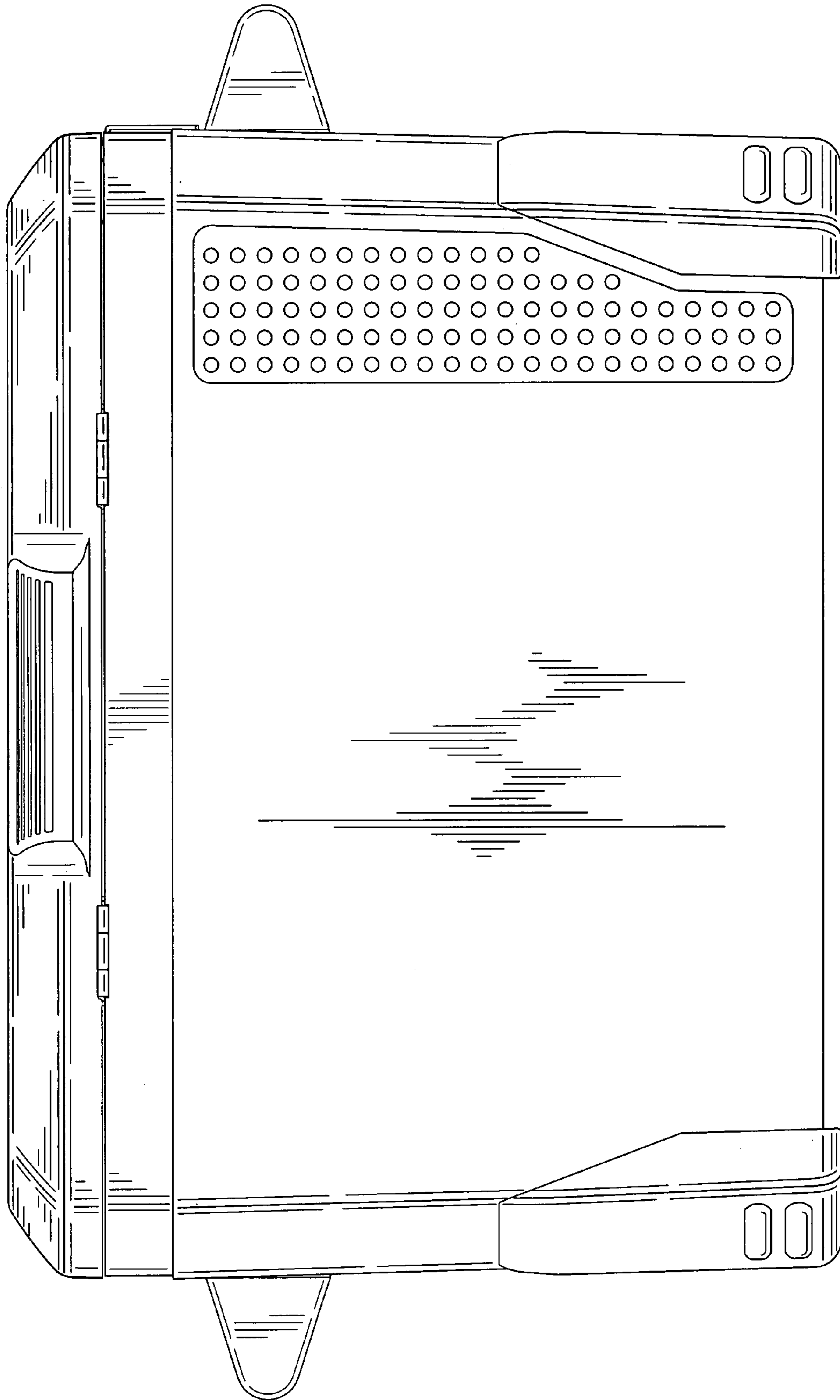


FIG. 6

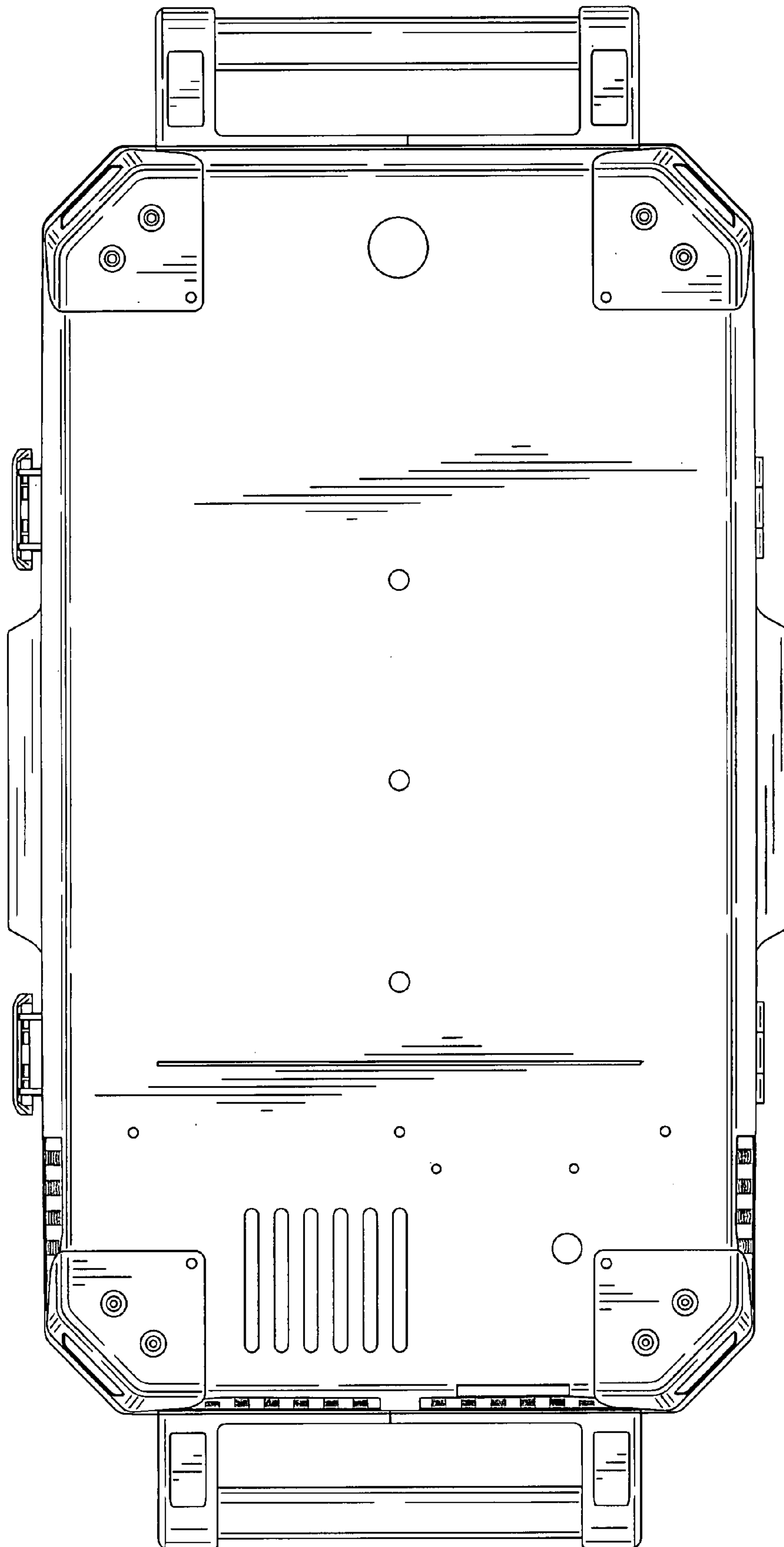


FIG. 7