



US00D558232S

(12) **United States Design Patent**
Wang

(10) **Patent No.:** **US D558,232 S**

(45) **Date of Patent:** **** Dec. 25, 2007**

(54) **COOLANT PUMP**

D471,561 S * 3/2003 Kohsaka D15/7
D485,565 S * 1/2004 Martinello D15/7

(76) Inventor: **Li-Chuan Wang**, No. 36, Sanfong Rd.,
Fongyuan City, Taichung County 420
(TW)

* cited by examiner

Primary Examiner—Ralf Seifert

(74) *Attorney, Agent, or Firm*—Troxell Law Office, PLLC

(**) Term: **14 Years**

(21) Appl. No.: **29/268,568**

(57) **CLAIM**

(22) Filed: **Nov. 9, 2006**

The ornamental design for a coolant pump, as shown and described.

(51) **LOC (8) Cl.** **15-02**

(52) **U.S. Cl.** **D15/7**

(58) **Field of Classification Search** D15/7-9;
D2/232, 231; 417/359, 415-416, 410.1,
417/321, 265, 405

See application file for complete search history.

DESCRIPTION

FIG. 1 is a perspective view of coolant pump showing my new design;

FIG. 2 is a front elevation view thereof;

FIG. 3 is a rear elevation view thereof;

FIG. 4 is a left side elevation view thereof;

FIG. 5 is a right side elevation view thereof;

FIG. 6 is a top plan view thereof; and,

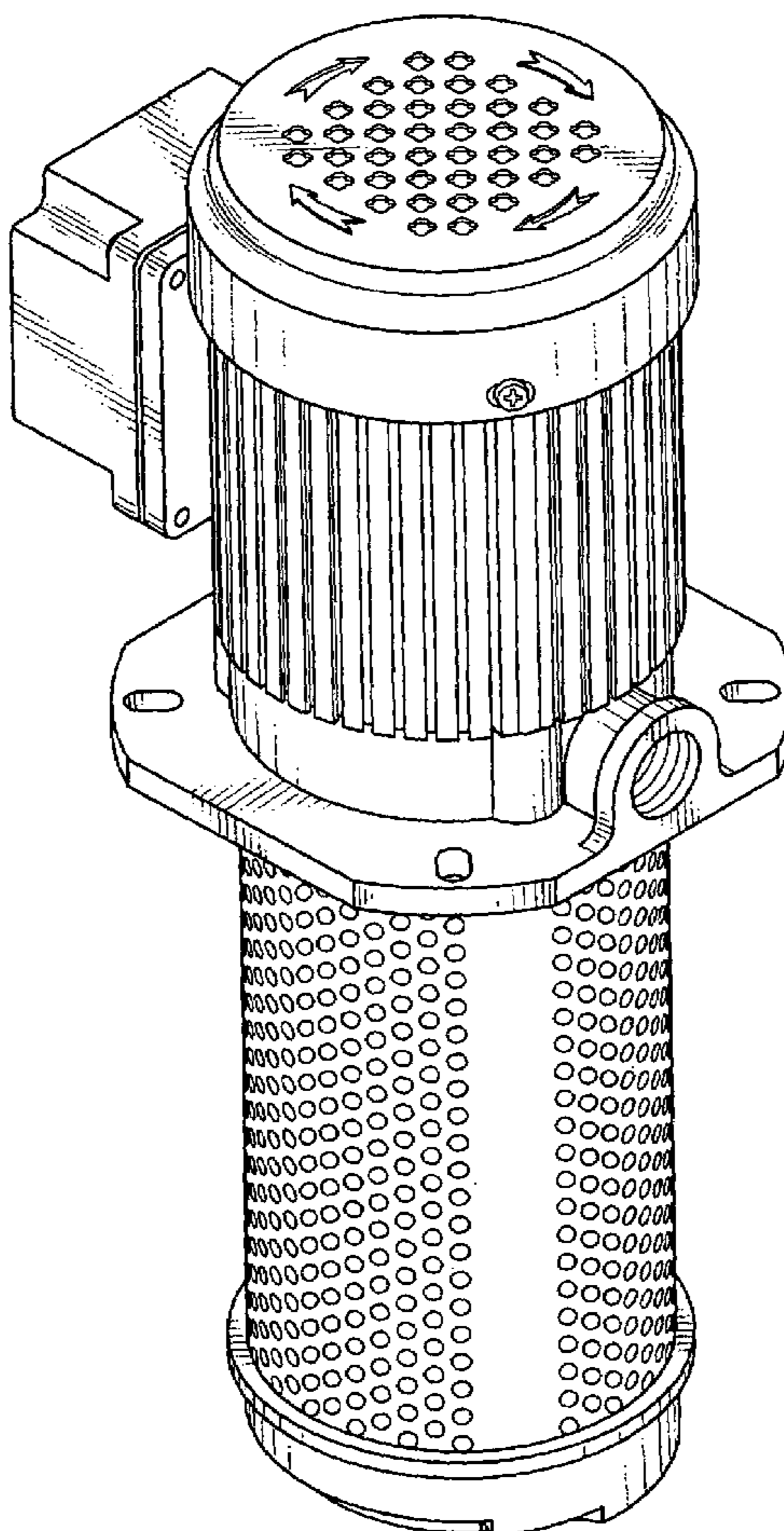
FIG. 7 is a bottom plan view thereof.

(56) **References Cited**

U.S. PATENT DOCUMENTS

D179,746 S *	2/1957	Sudmeier	D15/9
D215,882 S *	11/1969	Svenson	D15/7
D372,251 S *	7/1996	Bohncke	D15/7
D384,674 S *	10/1997	Grolle et al.	D15/7
D464,362 S *	10/2002	Tsai	D15/7

1 Claim, 5 Drawing Sheets



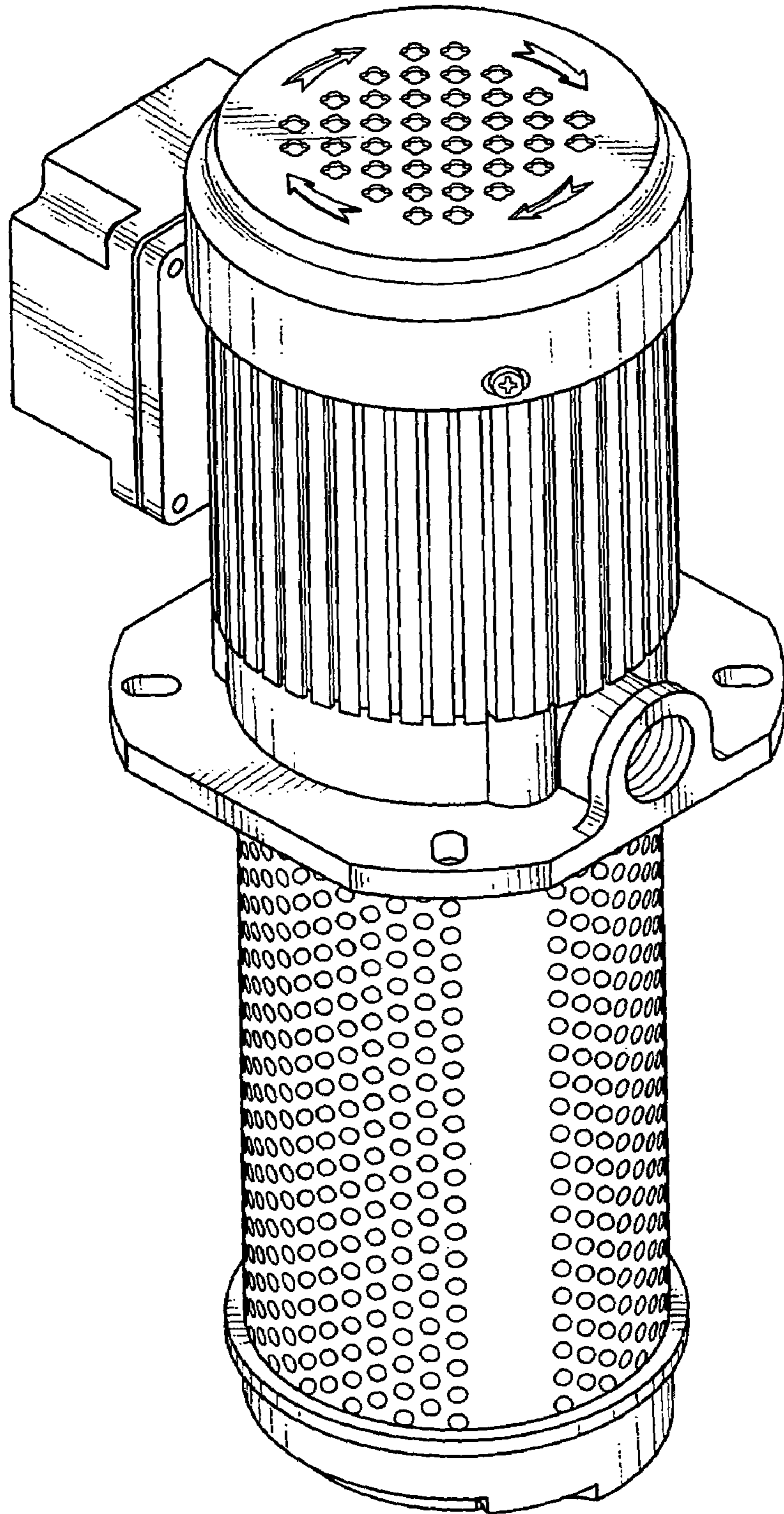


FIG. 1

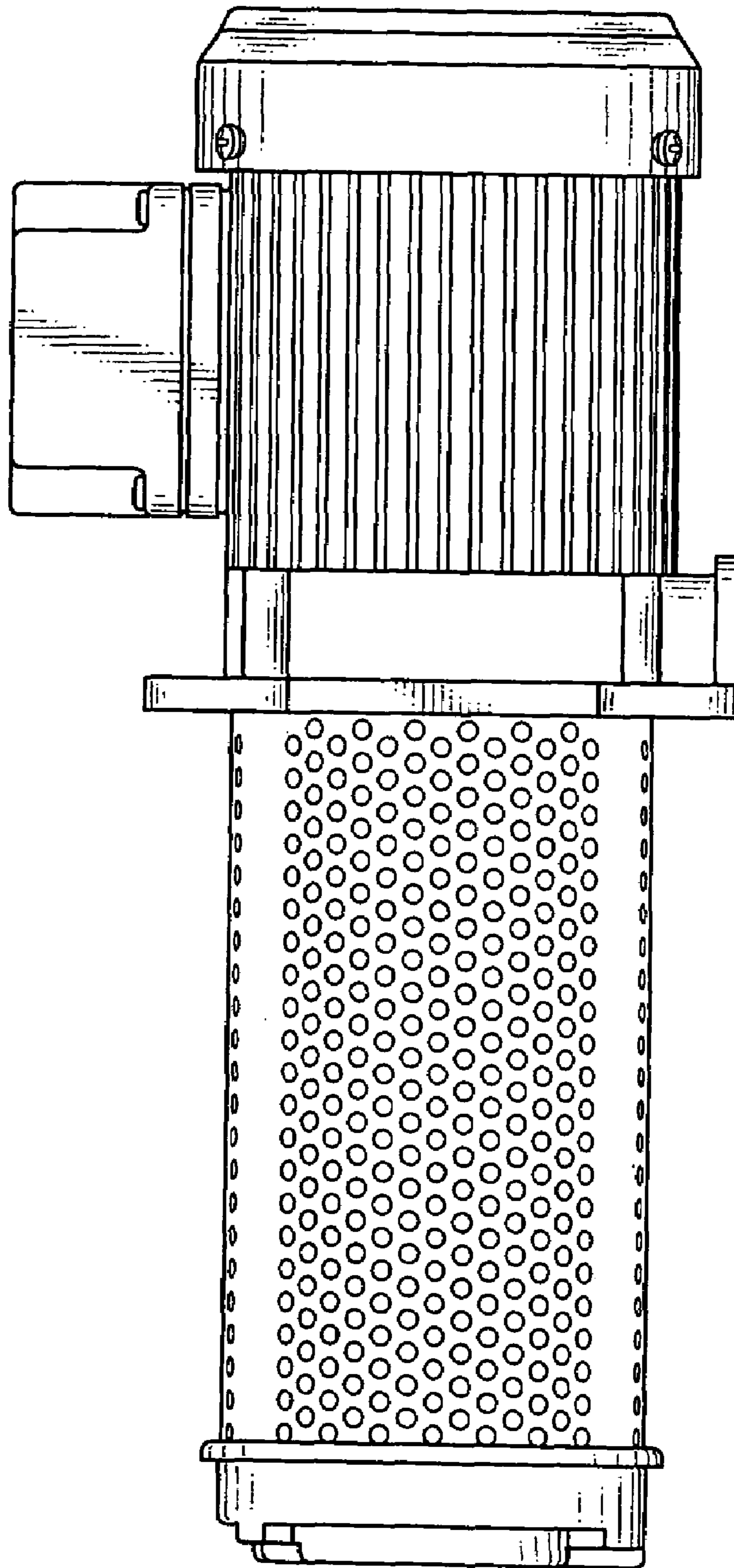


FIG. 2

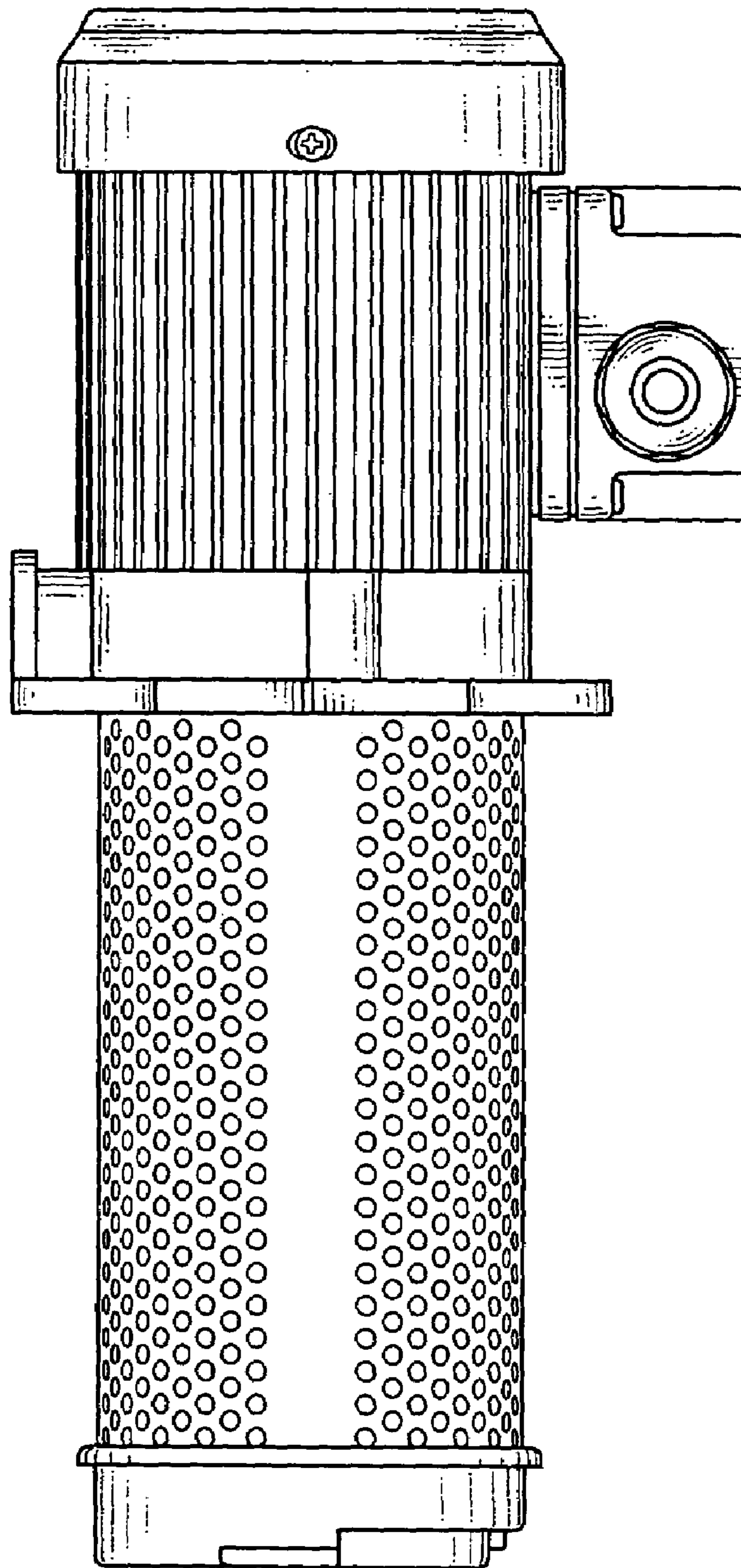


FIG. 3

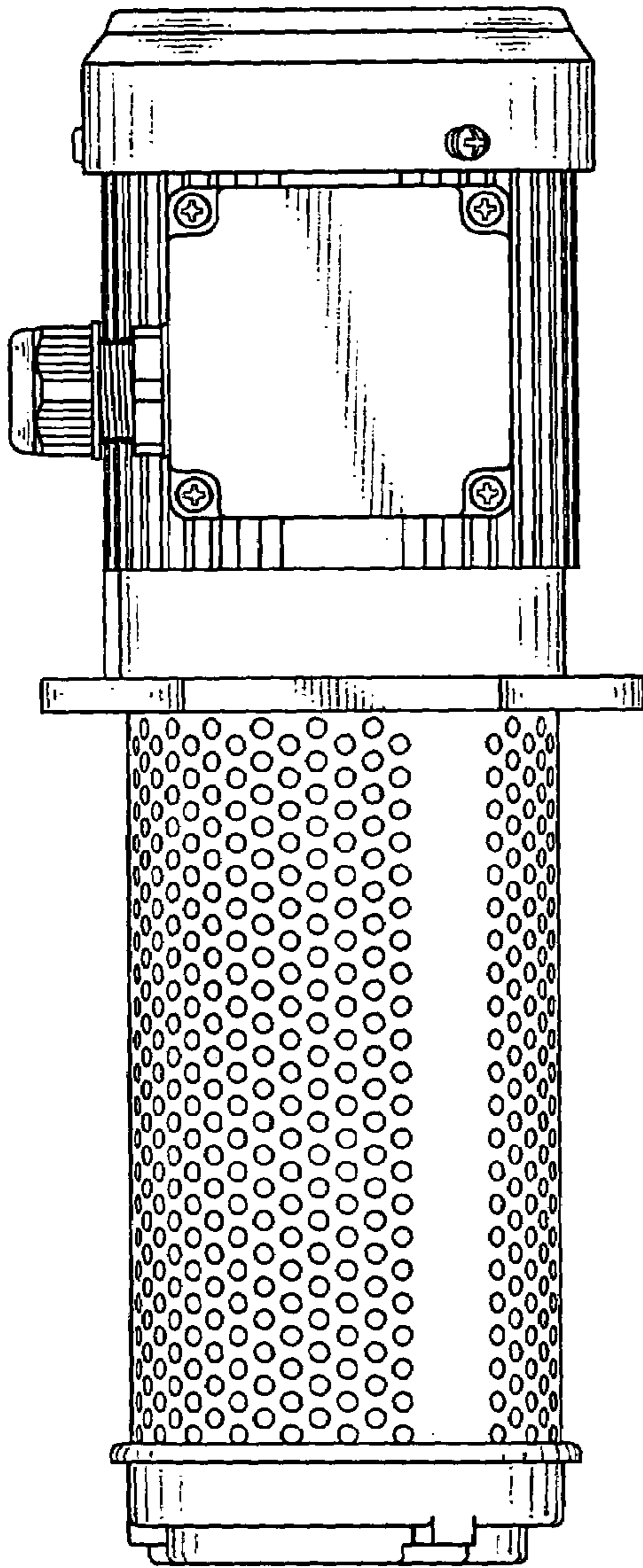


FIG. 4

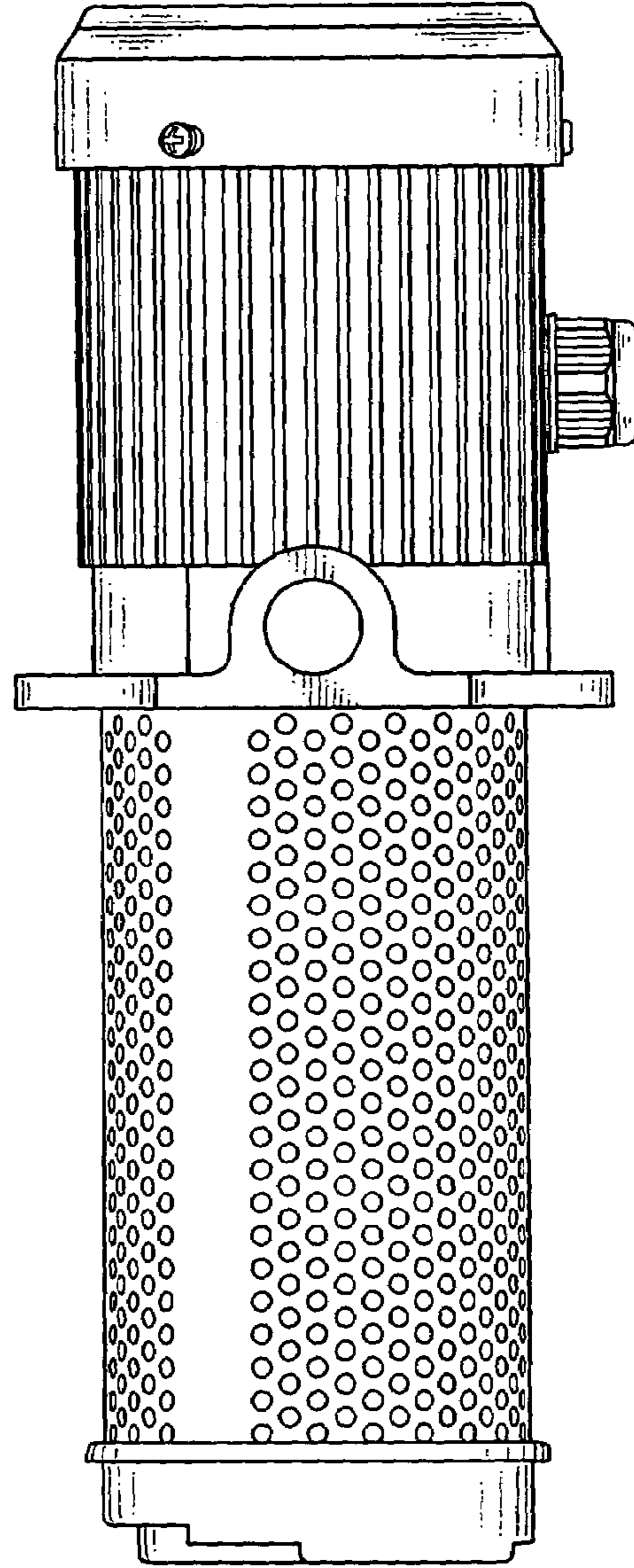


FIG. 5

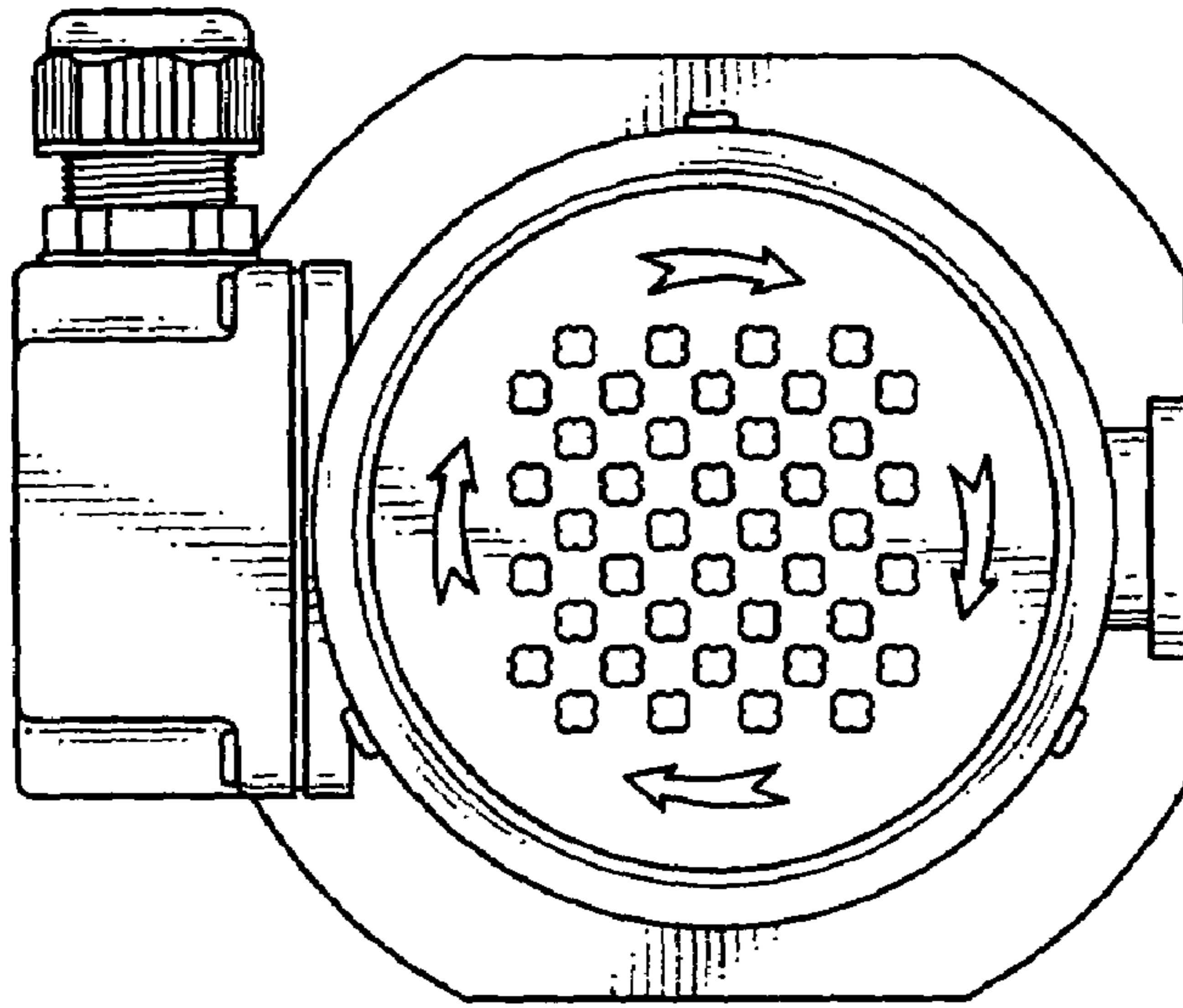


FIG. 6

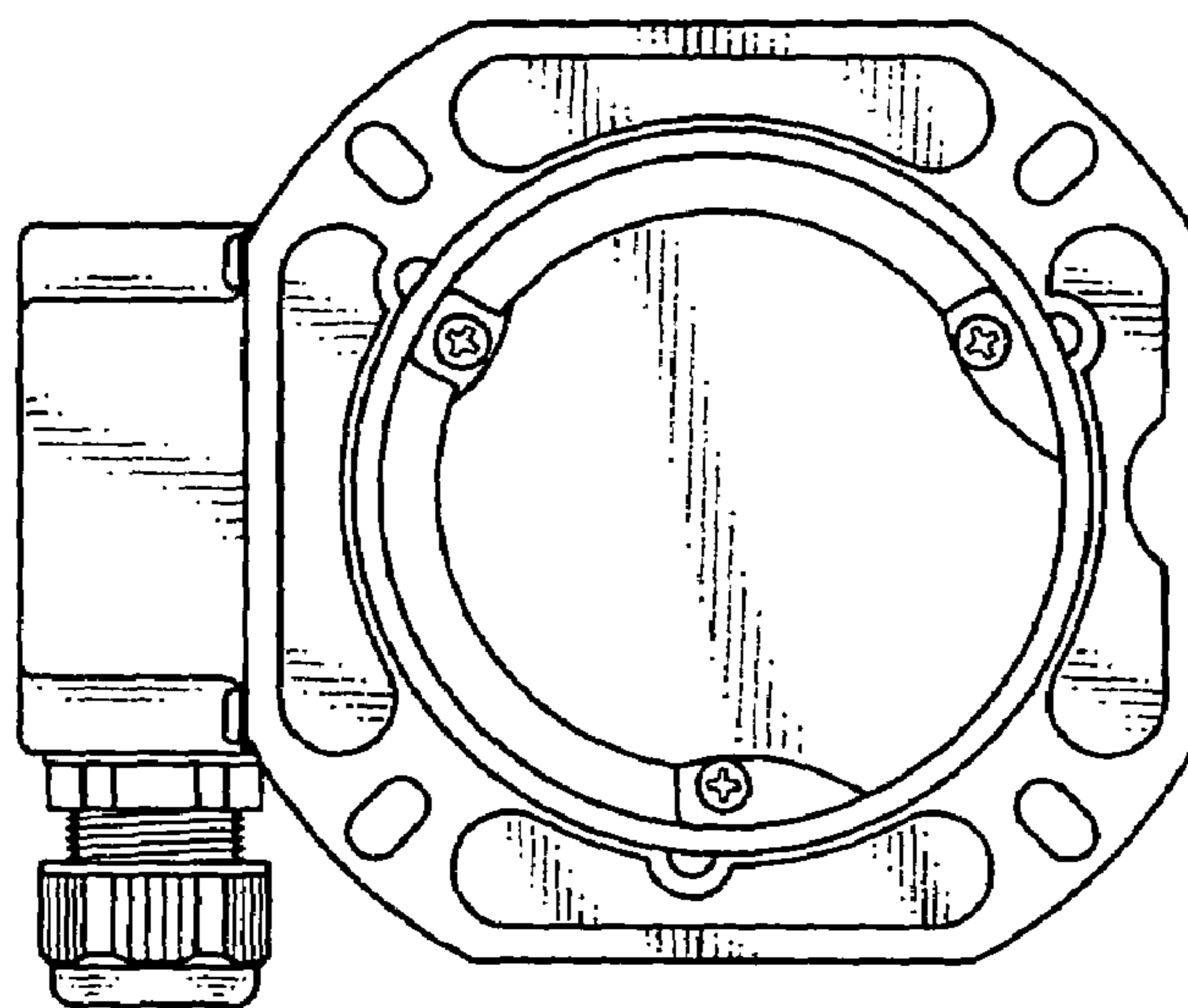


FIG. 7