



US00D558231S

(12) **United States Design Patent**  
**Vivar et al.**

(10) **Patent No.:** **US D558,231 S**

(45) **Date of Patent:** **\*\* Dec. 25, 2007**

(54) **PUMP**

(75) Inventors: **Raymund Francisco Vivar**, Edison, NJ (US); **John M. Walker**, Carrollton, TX (US); **Xing Can Mei**, Zhongshan (CN)

(73) Assignee: **Geo Global Partners, LLC**, South Plainfield, NJ (US)

(\*\*) Term: **14 Years**

(21) Appl. No.: **29/250,341**

(22) Filed: **Nov. 10, 2006**

(51) **LOC (8) Cl.** ..... **15-02**

(52) **U.S. Cl.** ..... **D15/7**

(58) **Field of Classification Search** ..... D15/7-9;  
D23/232, 231; 417/359, 415-416, 410.1,  
417/321, 265, 405

See application file for complete search history.

(56) **References Cited**

**U.S. PATENT DOCUMENTS**

D201,529 S \* 6/1965 Falson ..... D15/7

D204,645 S \* 5/1966 Falson ..... D15/7  
D376,370 S \* 12/1996 Davis et al. .... D15/7  
D403,329 S \* 12/1998 Walker et al. .... D15/7  
D435,562 S \* 12/2000 Clivio ..... D15/7

\* cited by examiner

*Primary Examiner*—Ralf Seifert

(74) *Attorney, Agent, or Firm*—Lucas & Mercanti, LLP

(57) **CLAIM**

The ornamental design for an pump, as shown and described.

**DESCRIPTION**

FIG. 1 is a top, left, front, perspective view of a pump showing my new design;

FIG. 2 is a top plan view thereof;

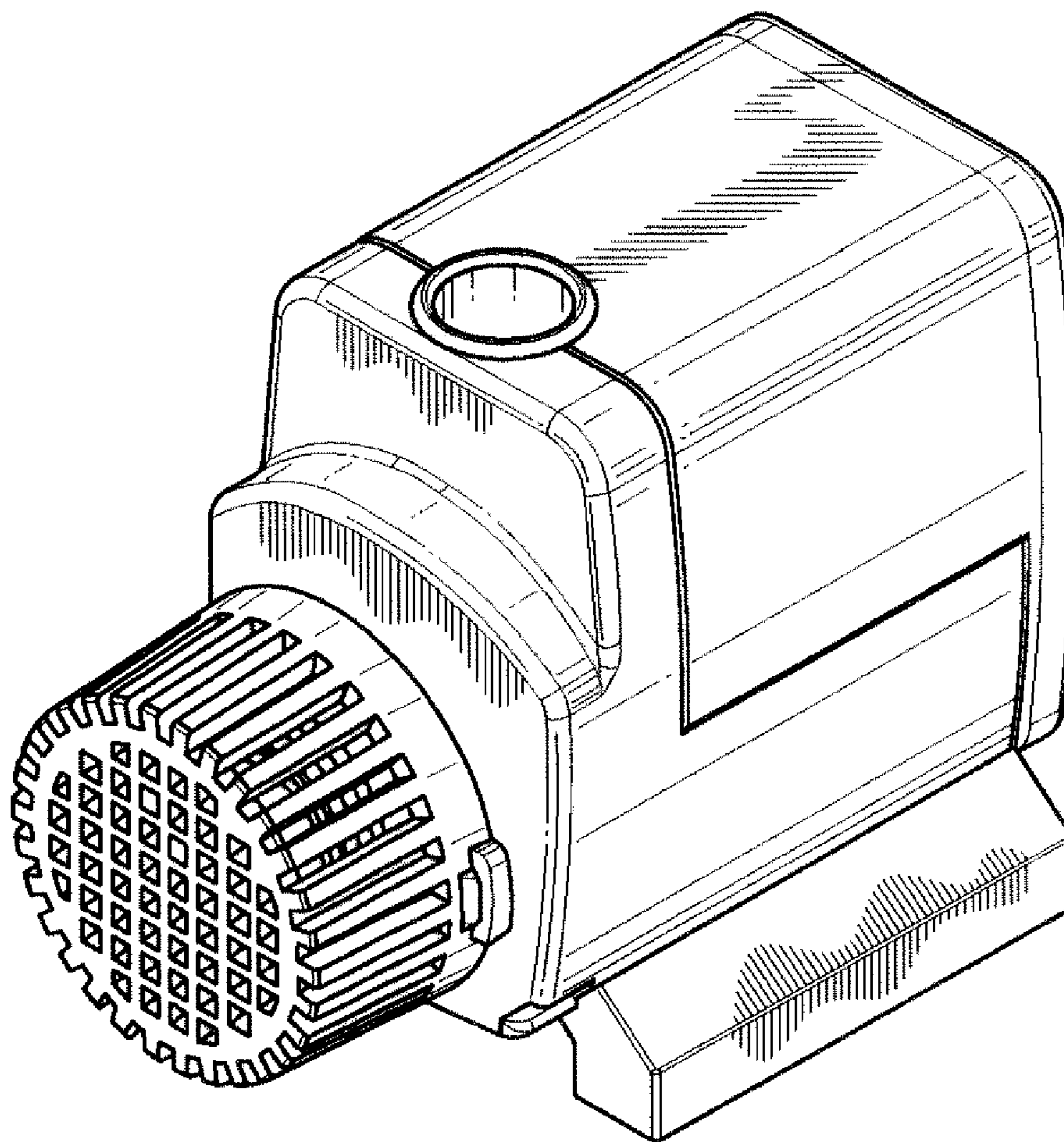
FIG. 3 is a front side view thereof;

FIG. 4 is side view thereof;

FIG. 5 is a rear view thereof; and,

FIG. 6 is a bottom view thereof.

**1 Claim, 2 Drawing Sheets**



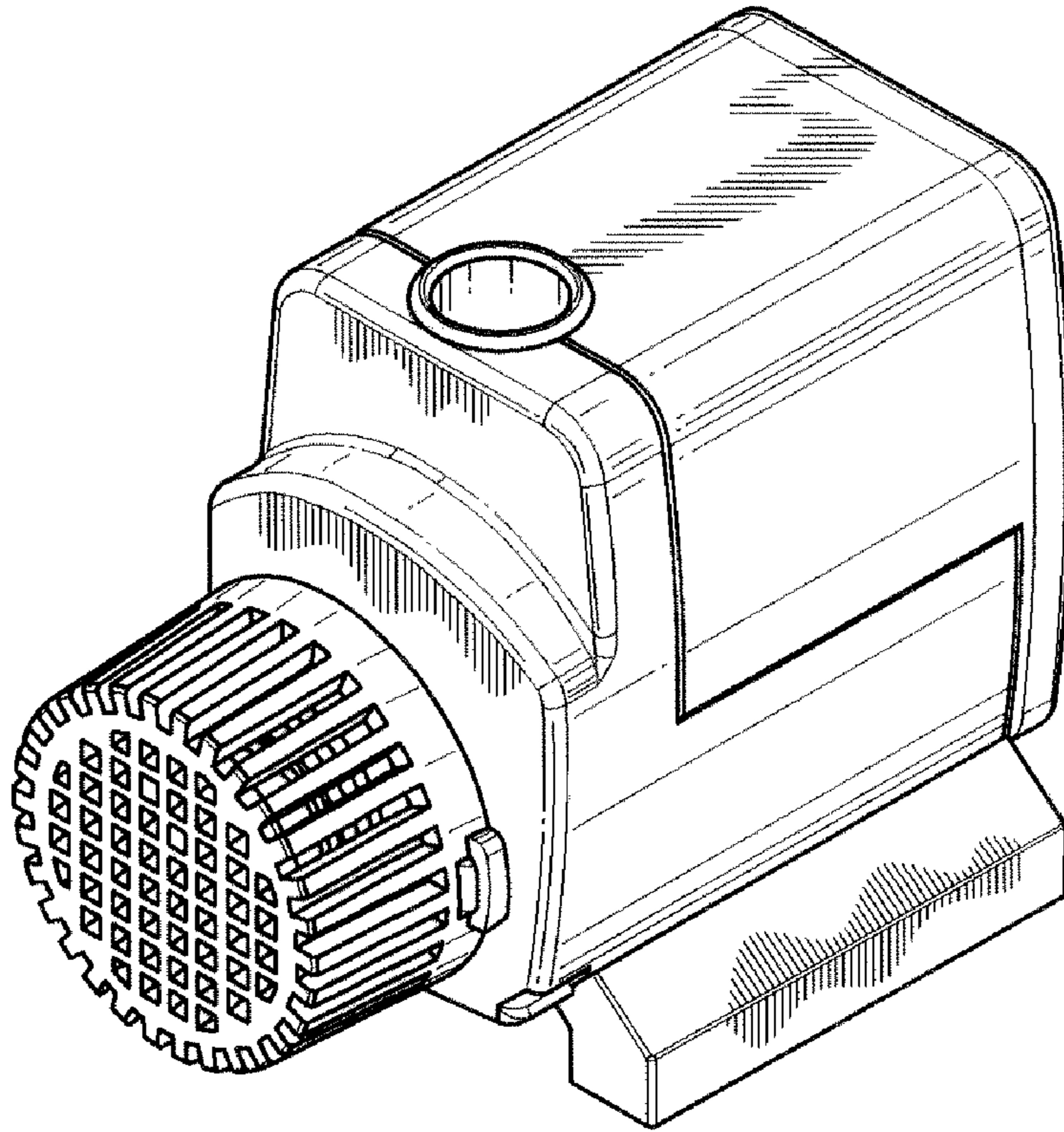


FIG. 1

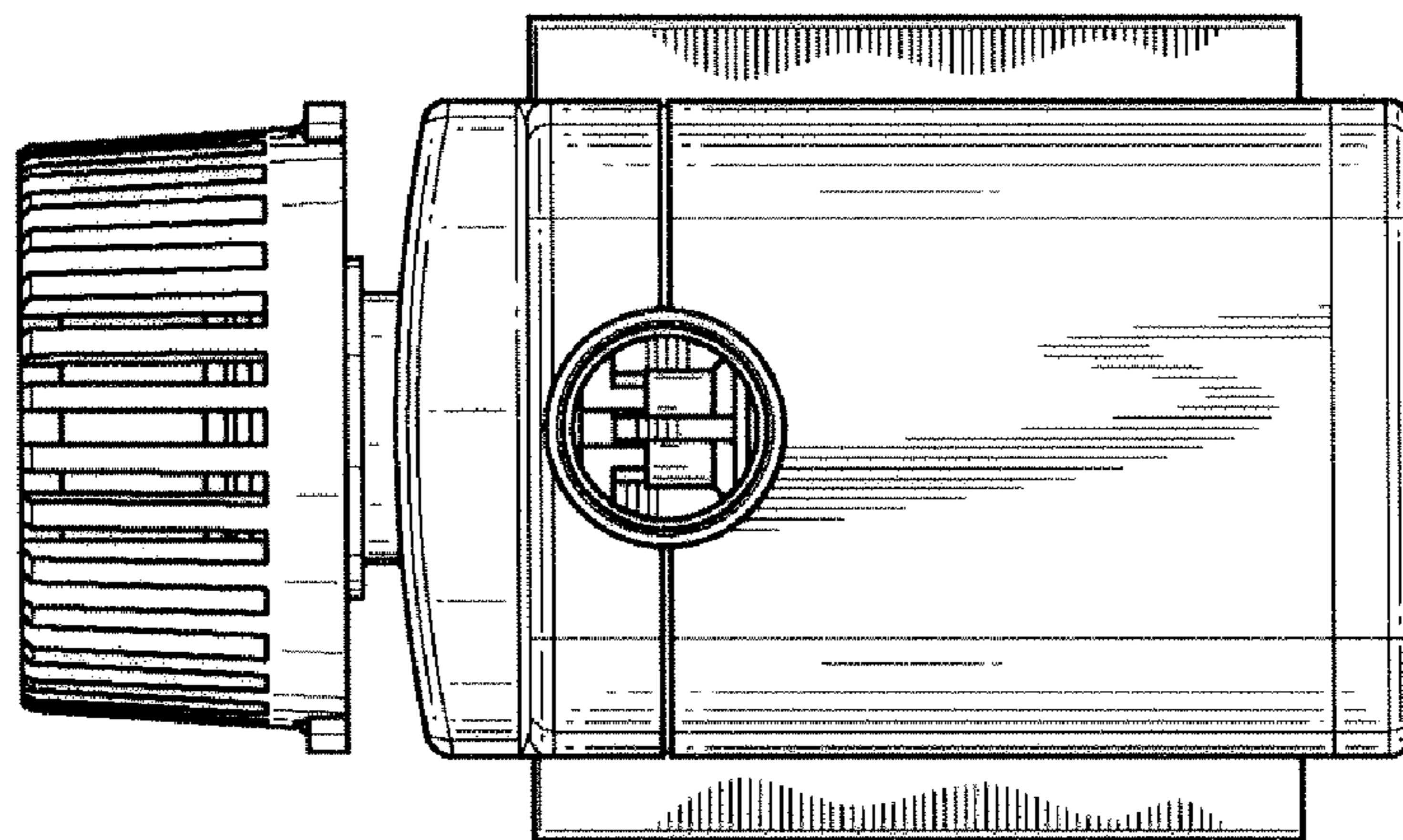


FIG. 2

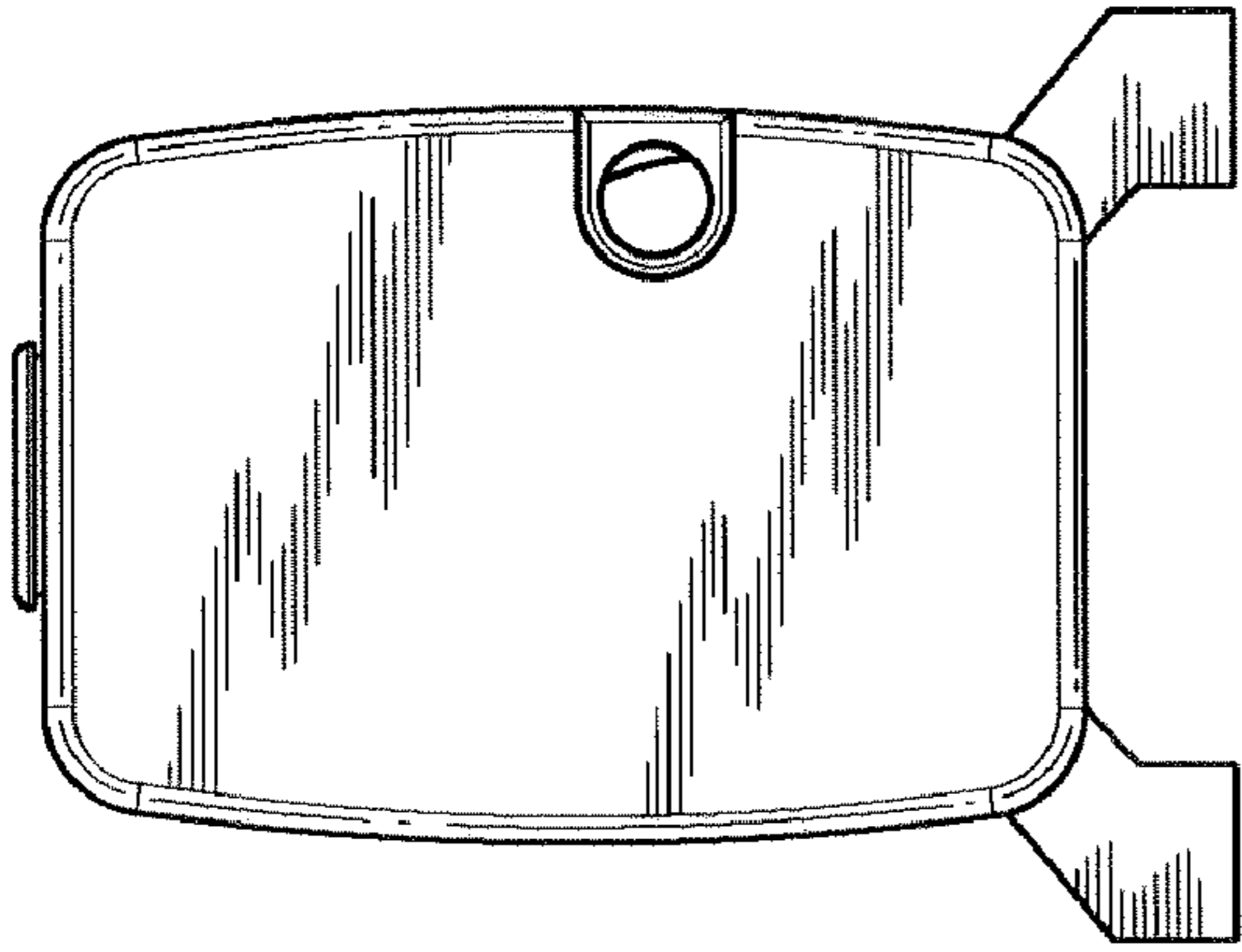


FIG. 5

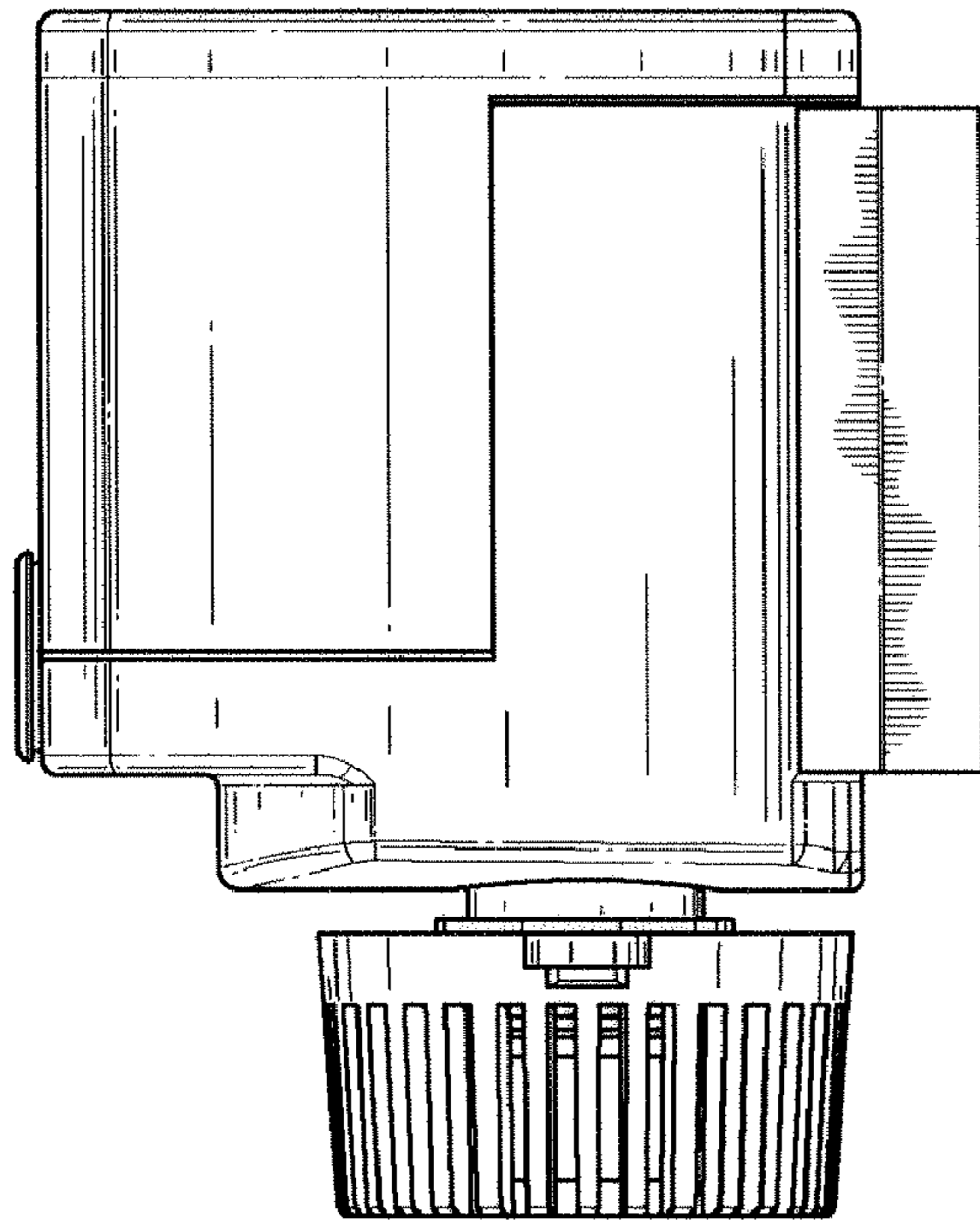


FIG. 4

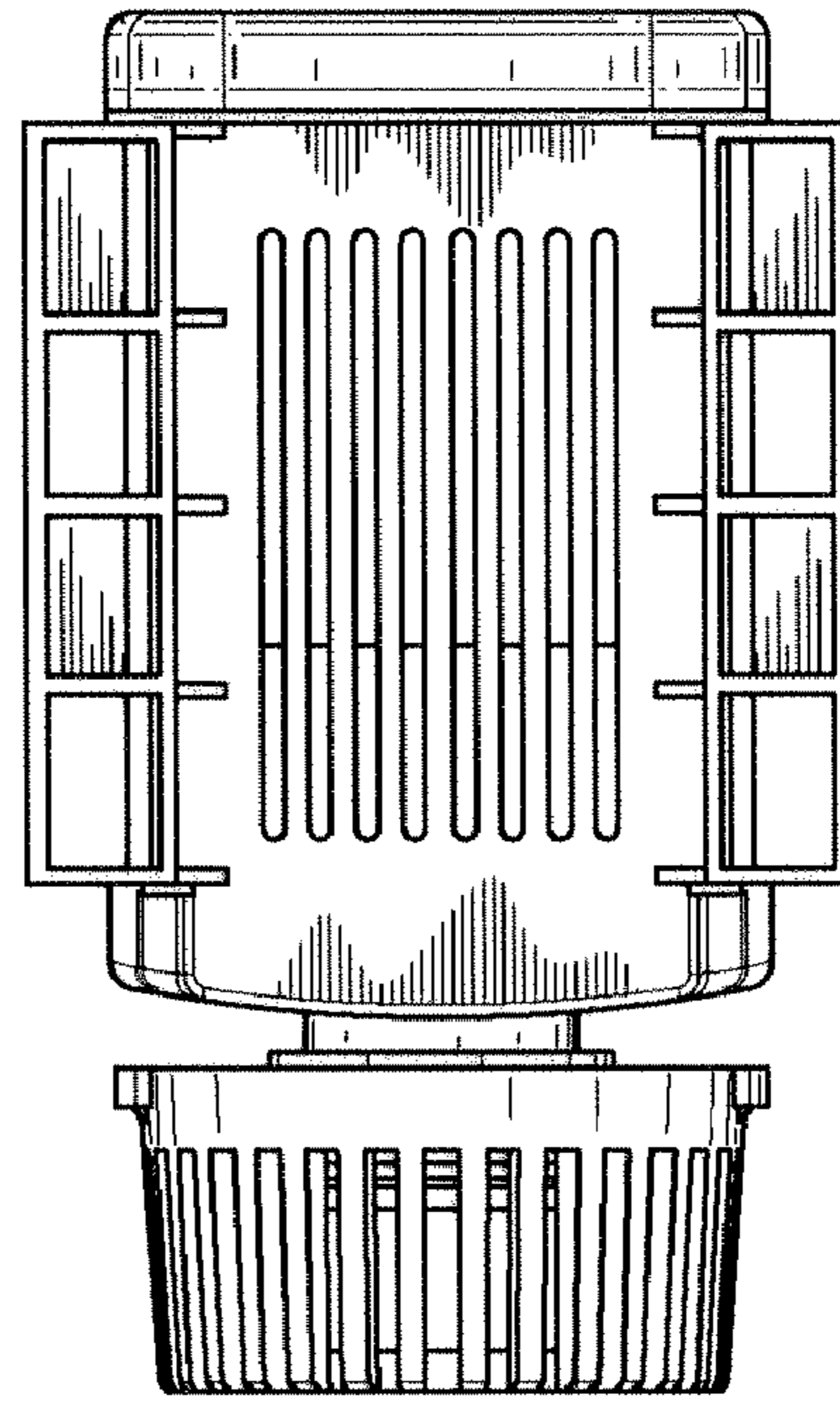


FIG. 6

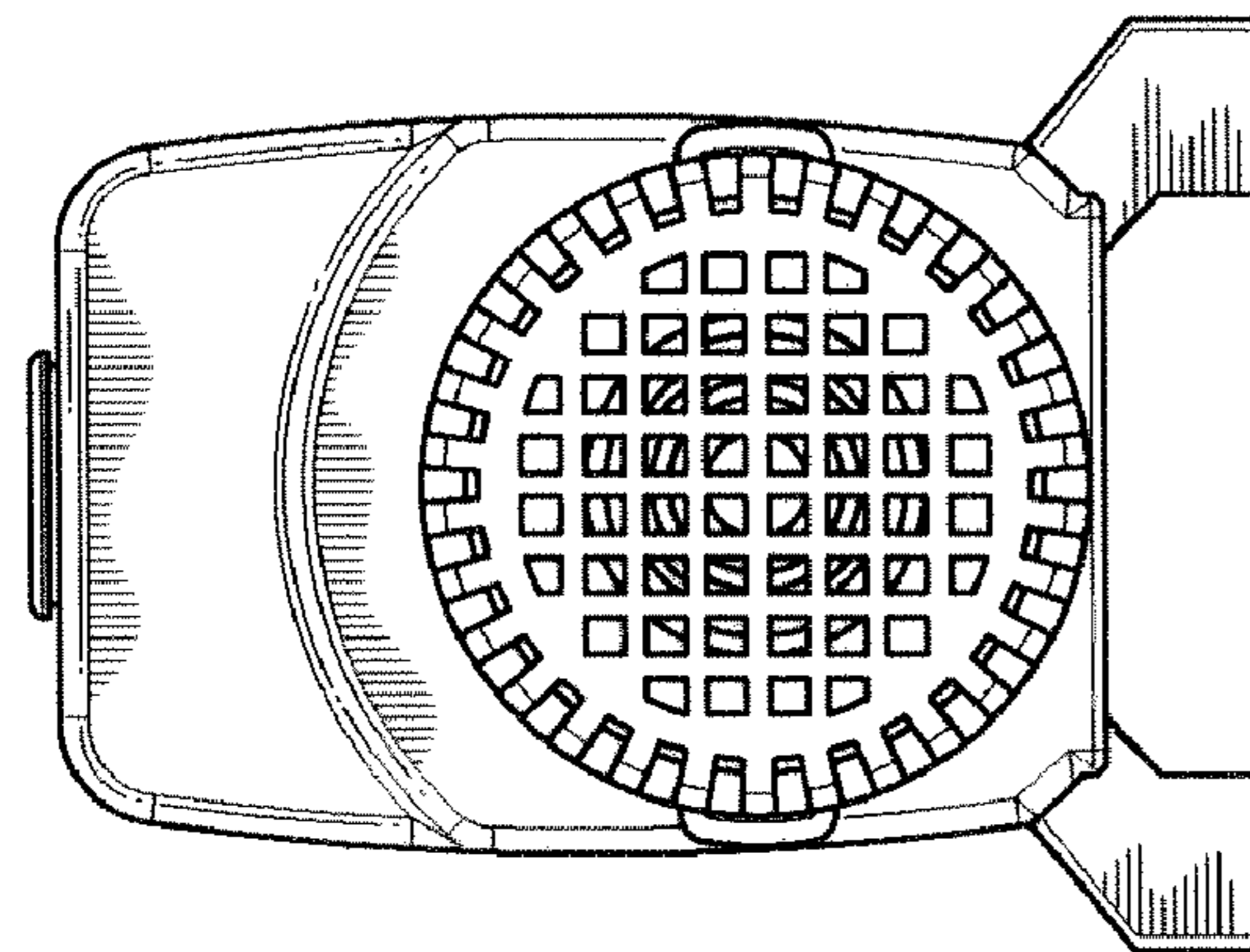


FIG. 3