



US00D558230S

(12) **United States Design Patent**
Vivar et al.

(10) **Patent No.:** **US D558,230 S**

(45) **Date of Patent:** **** Dec. 25, 2007**

(54) **PUMP**

D273,958 S * 5/1984 Mariol D15/9
D280,993 S * 10/1985 Mariol D15/9
D293,682 S * 1/1988 Liou D15/9

(75) Inventors: **Raymund Francisco Vivar**, Edison, NJ (US); **John M. Walker**, Carrollton, TX (US); **Xing Can Mei**, Zhongshan (CN)

* cited by examiner

(73) Assignee: **Geo Global Partners, LLC**, South Plainfield, NJ (US)

Primary Examiner—Ralf Seifert
(74) *Attorney, Agent, or Firm*—Lucas & Mercanti, LLP

(**) Term: **14 Years**

(57) **CLAIM**

(21) Appl. No.: **29/250,339**

The ornamental design for an pump, as shown and described.

(22) Filed: **Nov. 10, 2006**

DESCRIPTION

(51) **LOC (8) Cl.** **15-02**

FIG. 1 is a top, left, front, perspective view of a pump showing my new design;

(52) **U.S. Cl.** **D15/7**

(58) **Field of Classification Search** D15/7-9;
D23/232, 231; 417/359, 415-416, 410.1,
417/321, 265, 405

FIG. 2 is a top plan view thereof;

FIG. 3 is a front side view thereof;

See application file for complete search history.

FIG. 4 is side view thereof;

(56) **References Cited**

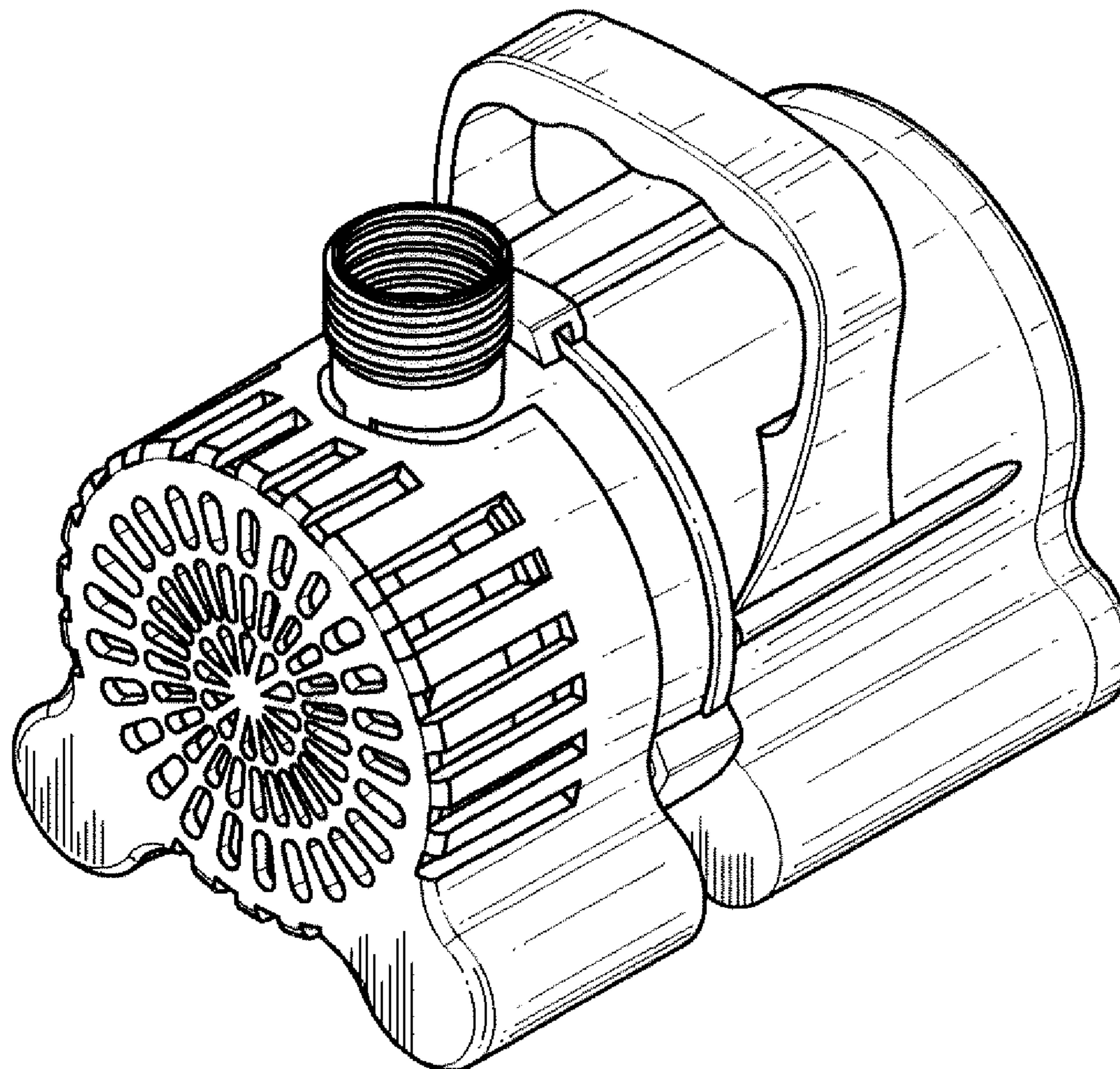
FIG. 5 is a rear view thereof; and,

U.S. PATENT DOCUMENTS

FIG. 6 is a bottom view thereof.

D204,645 S * 5/1966 Falson D15/7

1 Claim, 2 Drawing Sheets



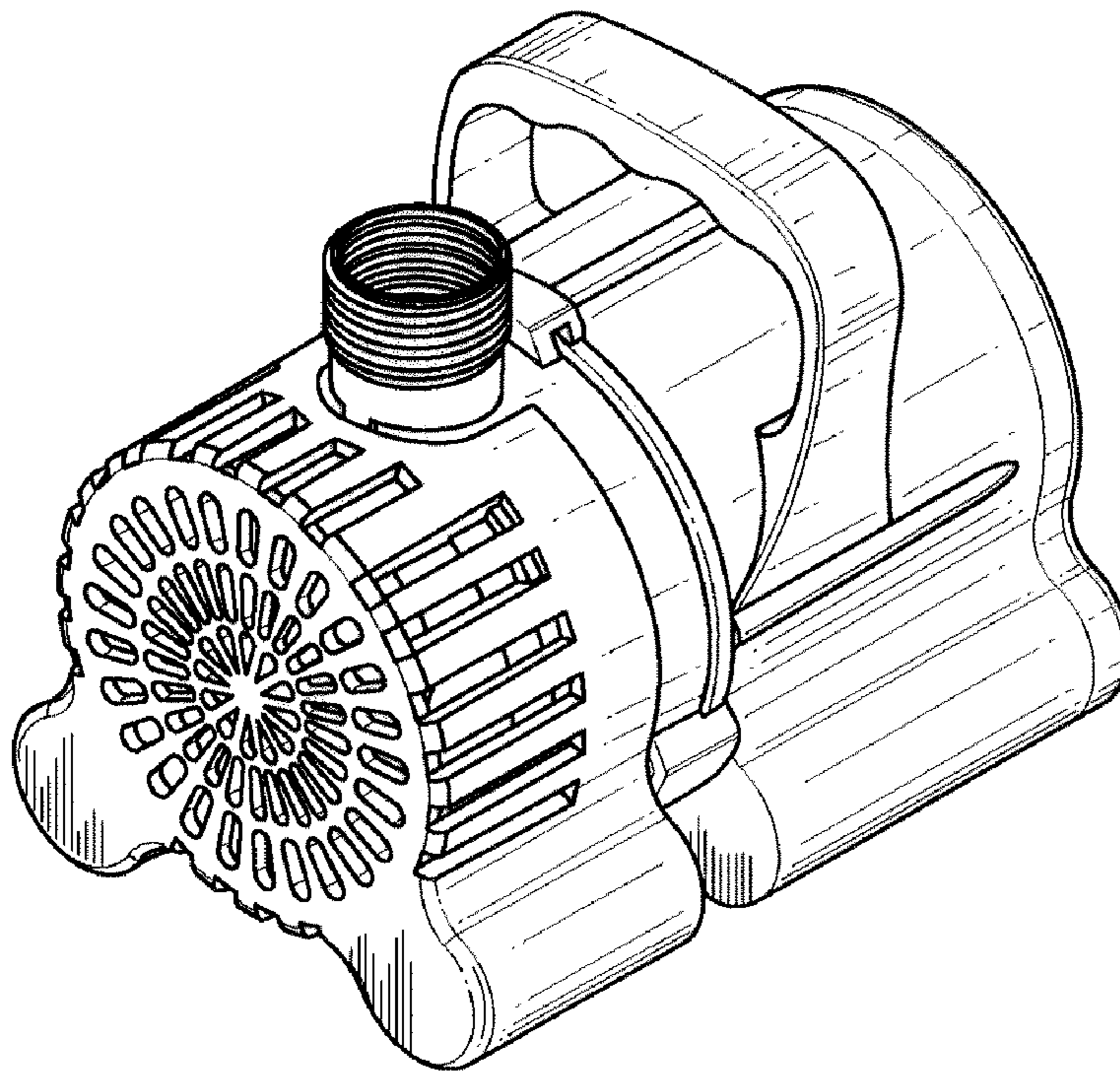


FIG. 1

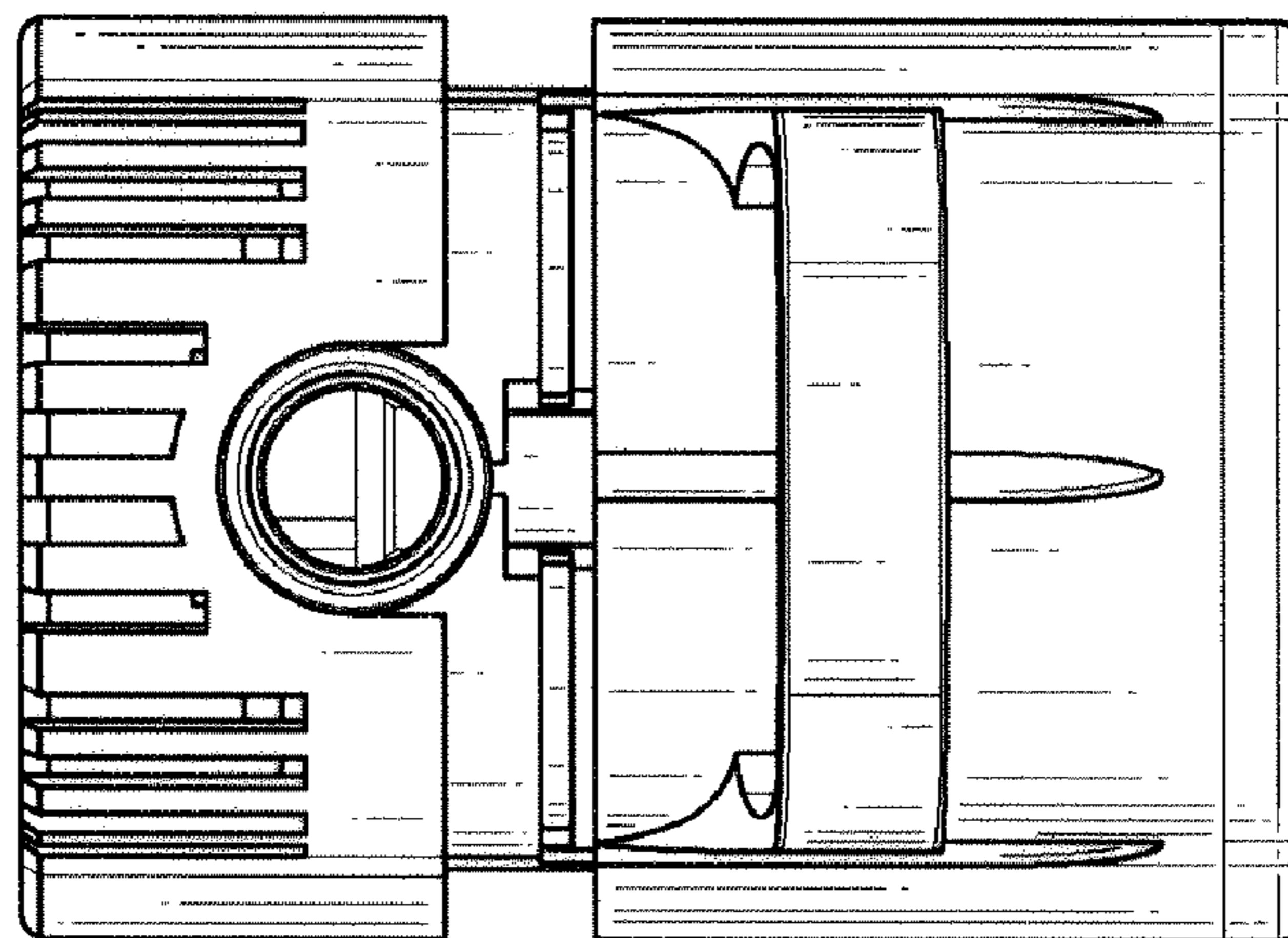


FIG. 2

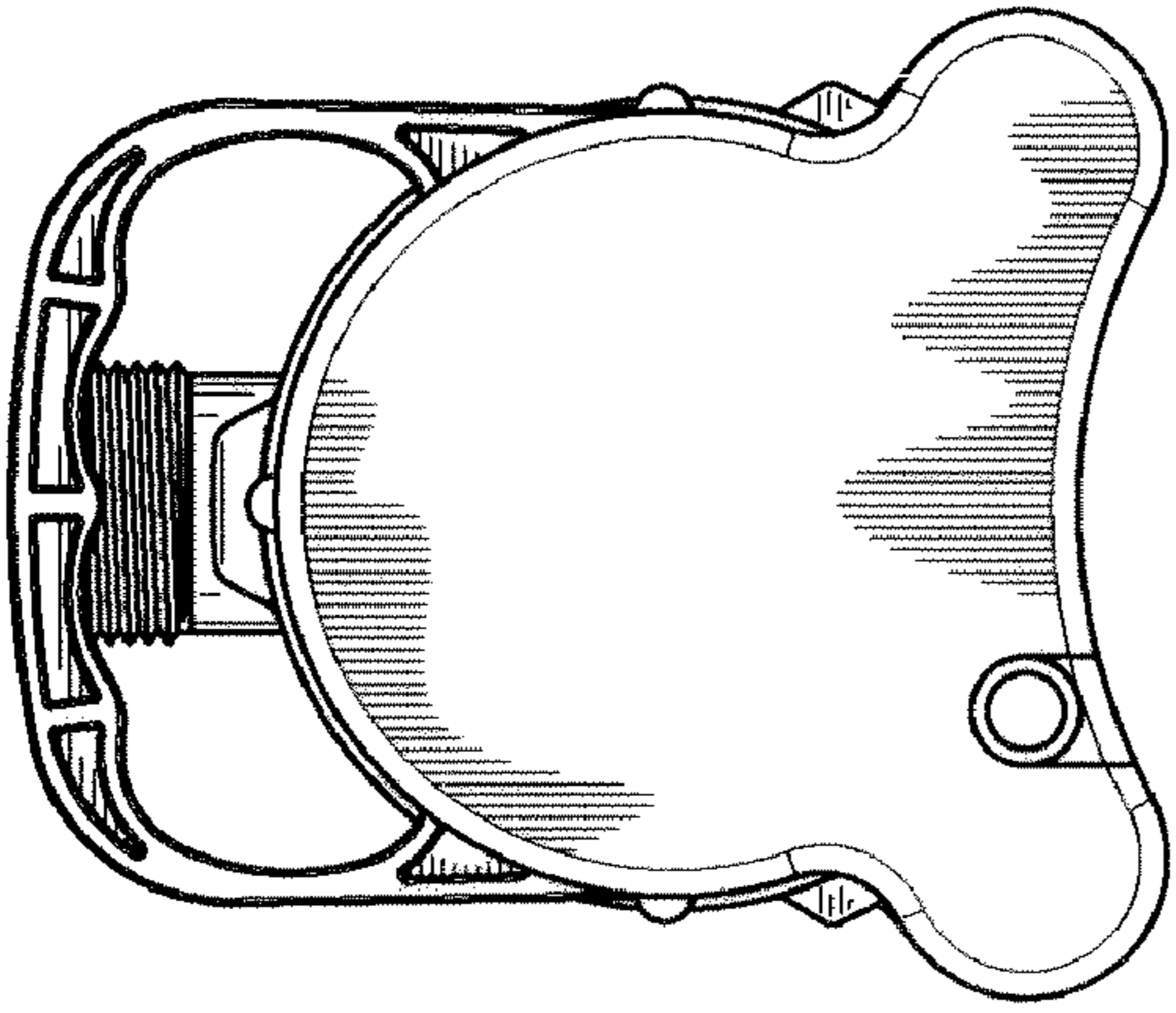


FIG. 5

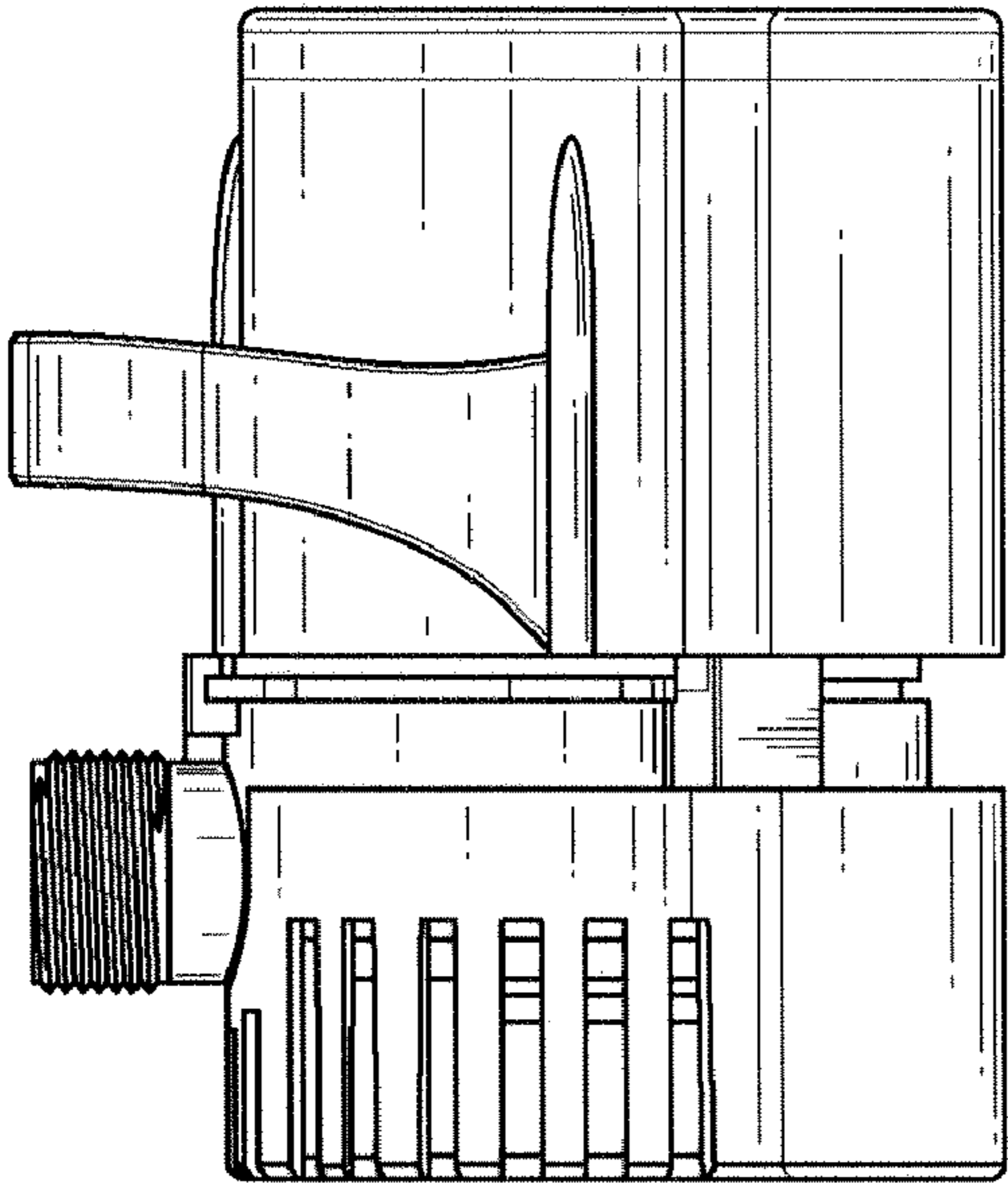


FIG. 4

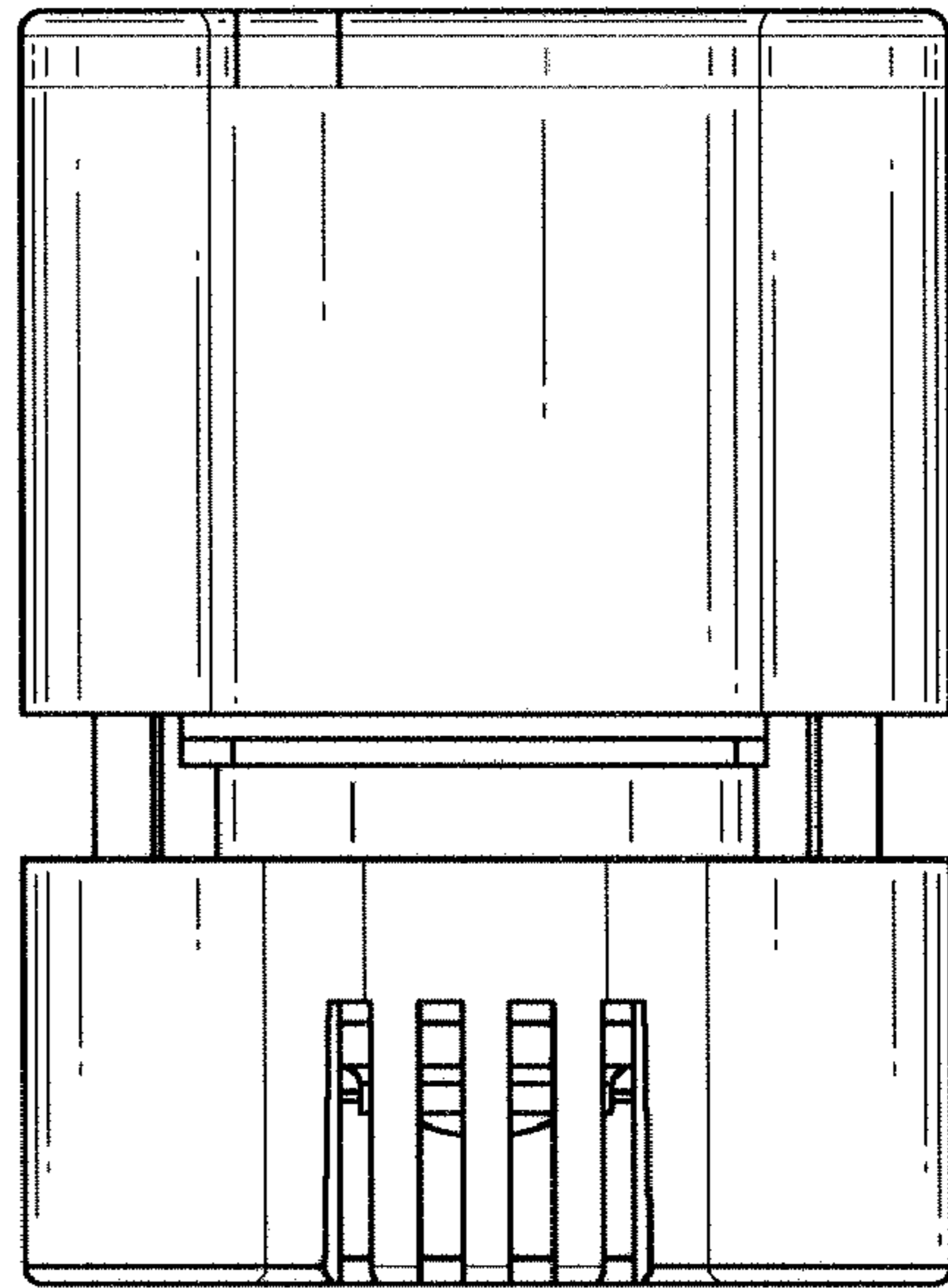


FIG. 6

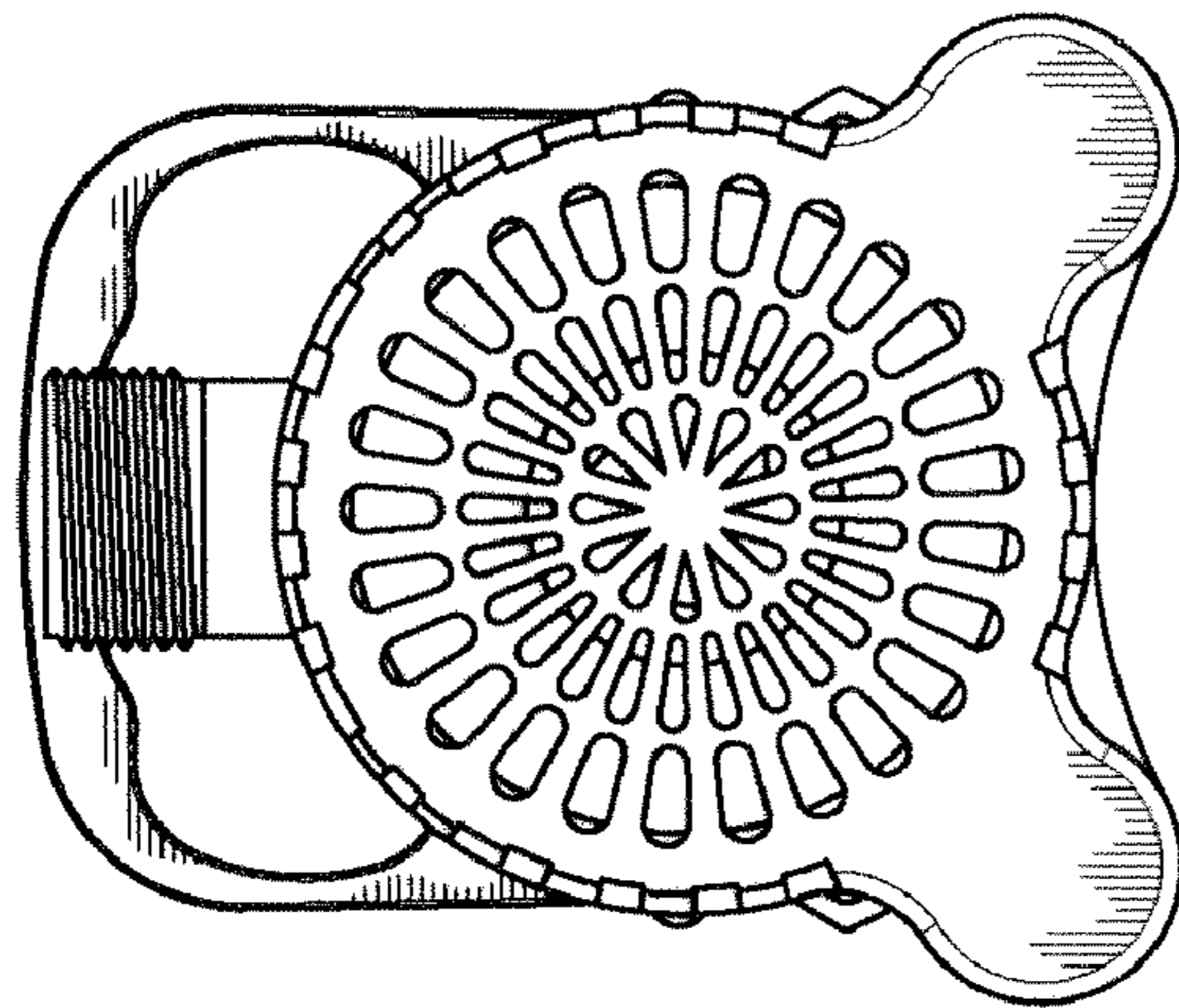


FIG. 3