

US00D558229S

(12) **United States Design Patent**
Saunders et al.

(10) **Patent No.:** **US D558,229 S**

(45) **Date of Patent:** **** *Dec. 25, 2007**

(54) **HANDHELD VACUUM PUMP
ACCUMULATOR**

(75) Inventors: **Craig M. Saunders**, Rocky River, OH
(US); **Marc L. Vitantonio**, South
Russell, OH (US); **Giles Douglas
Powell, Jr.**, Richmond, VA (US); **Paul
J. Tretina**, Glen Allen, VA (US)

(73) Assignee: **Alcoa Inc.**, Pittsburgh, PA (US)

(*) Notice: This patent is subject to a terminal dis-
claimer.

(**) Term: **14 Years**

(21) Appl. No.: **29/250,138**

(22) Filed: **Nov. 3, 2006**

(51) **LOC (8) Cl.** **15-02**

(52) **U.S. Cl.** **D15/7**

(58) **Field of Classification Search** D15/7-9;
D23/232, 231; 417/359, 415-416, 410.1,
417/321, 265, 405

See application file for complete search history.

(56) **References Cited**

U.S. PATENT DOCUMENTS

| | | | | |
|--------------|---------|-----------------|-------|-------|
| D248,396 S * | 7/1978 | Sendak | | D15/7 |
| D336,090 S * | 6/1993 | Lacorazza | | D15/7 |
| D348,677 S * | 7/1994 | Phillips et al. | | D15/7 |
| D358,397 S * | 5/1995 | Phillips et al. | | D15/7 |
| D405,097 S * | 2/1999 | Wong | | D15/7 |
| D415,500 S * | 10/1999 | Poon | | D15/7 |
| D425,912 S * | 5/2000 | Poon | | D15/7 |
| D451,521 S * | 12/2001 | Poon | | D15/7 |

| | | | | |
|--------------|---------|----------------|-------|-------|
| D464,976 S * | 10/2002 | Krieger et al. | | D15/9 |
| D467,048 S | 12/2002 | Masaki | | |
| D467,593 S * | 12/2002 | Williams | | D15/7 |
| D467,941 S * | 12/2002 | Duncan | | D15/7 |
| D467,942 S * | 12/2002 | Duncan | | D15/7 |
| D525,823 S | 8/2006 | Littmann | | |

* cited by examiner

Primary Examiner—Ralf Seifert

(74) *Attorney, Agent, or Firm*—Greenberg Traurig LLP;
Paul F. McQuade; James Goepel

(57) **CLAIM**

The ornamental design for a handheld vacuum pump accu-
mulator, as shown and described.

DESCRIPTION

FIG. 1 is a perspective view of the handheld vacuum pump
accumulator;

FIG. 2 is a front elevation view of the embodiment of the
present design illustrated in FIG. 1;

FIG. 3 is a rear elevation view of the embodiment of the
present design illustrated in FIG. 1;

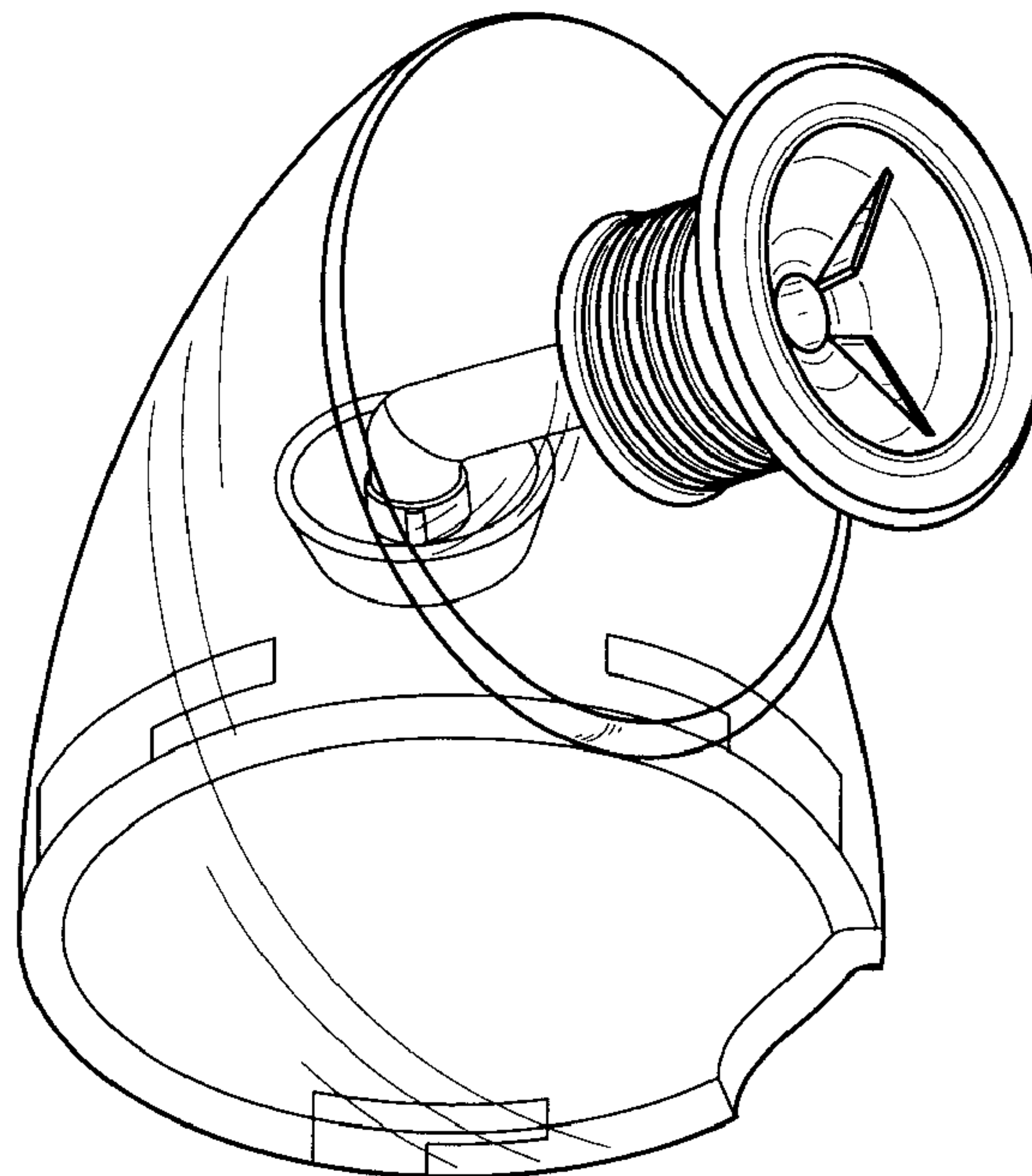
FIG. 4 is a right elevation view of the embodiment of the
present design illustrated in FIG. 1;

FIG. 5 is a left elevation view of the embodiment of the
present design illustrated in FIG. 1;

FIG. 6 is a top plan view of the embodiment of the present
design illustrated in FIG. 1; and,

FIG. 7 is a bottom plan view of the embodiment of the
present design illustrated in FIG. 1.

1 Claim, 2 Drawing Sheets



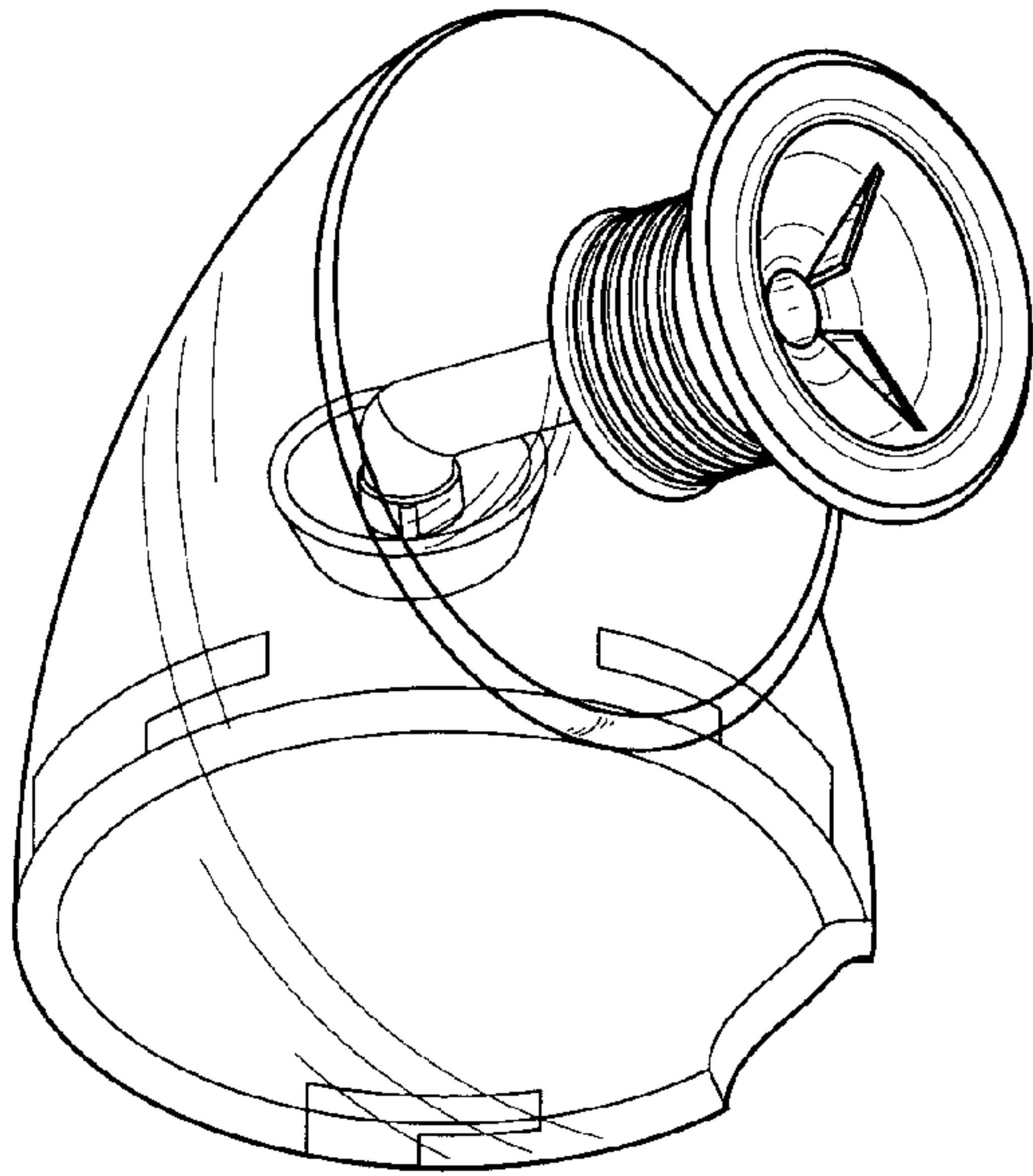


FIG. 1

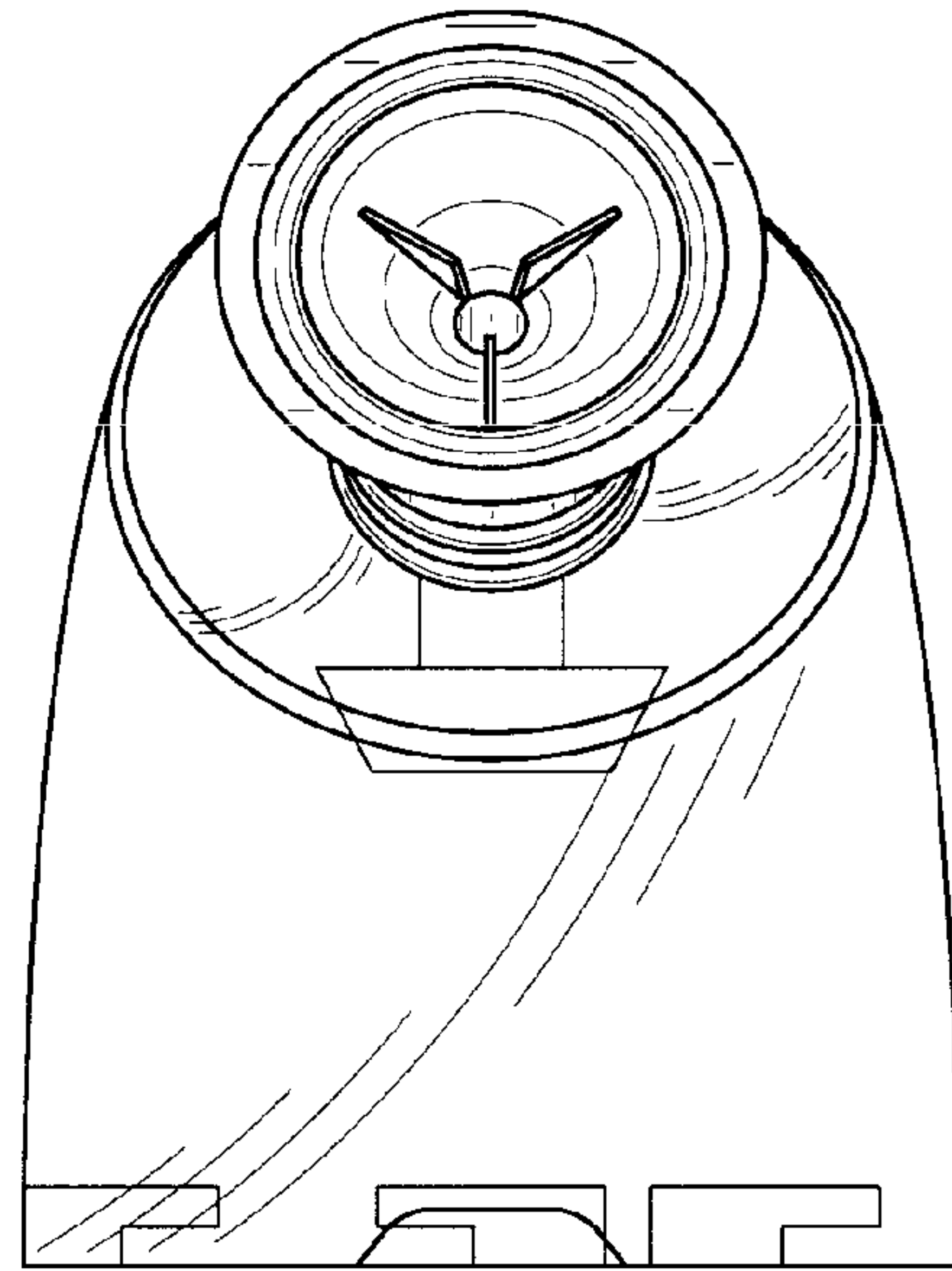


FIG. 2

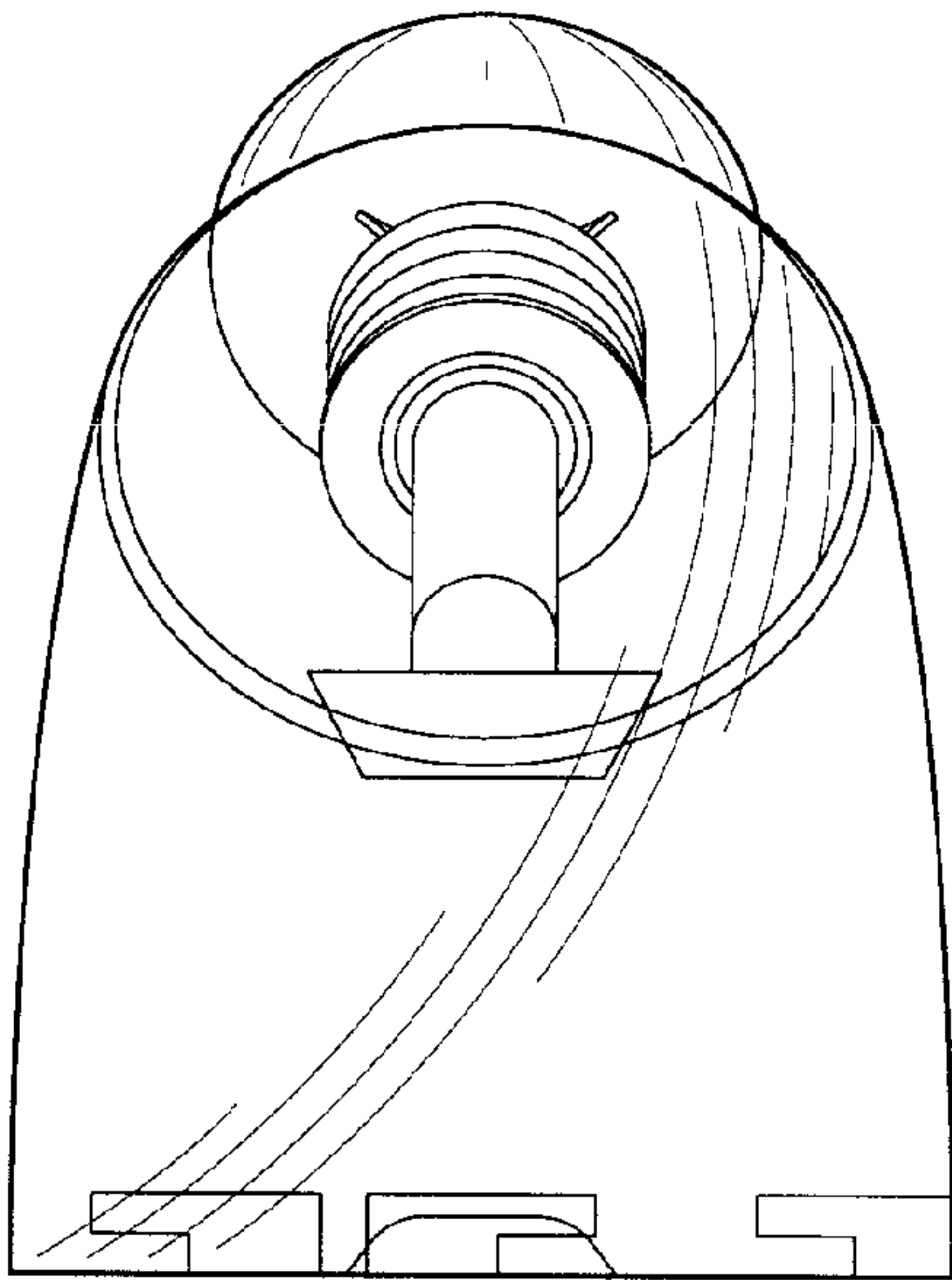


FIG. 3

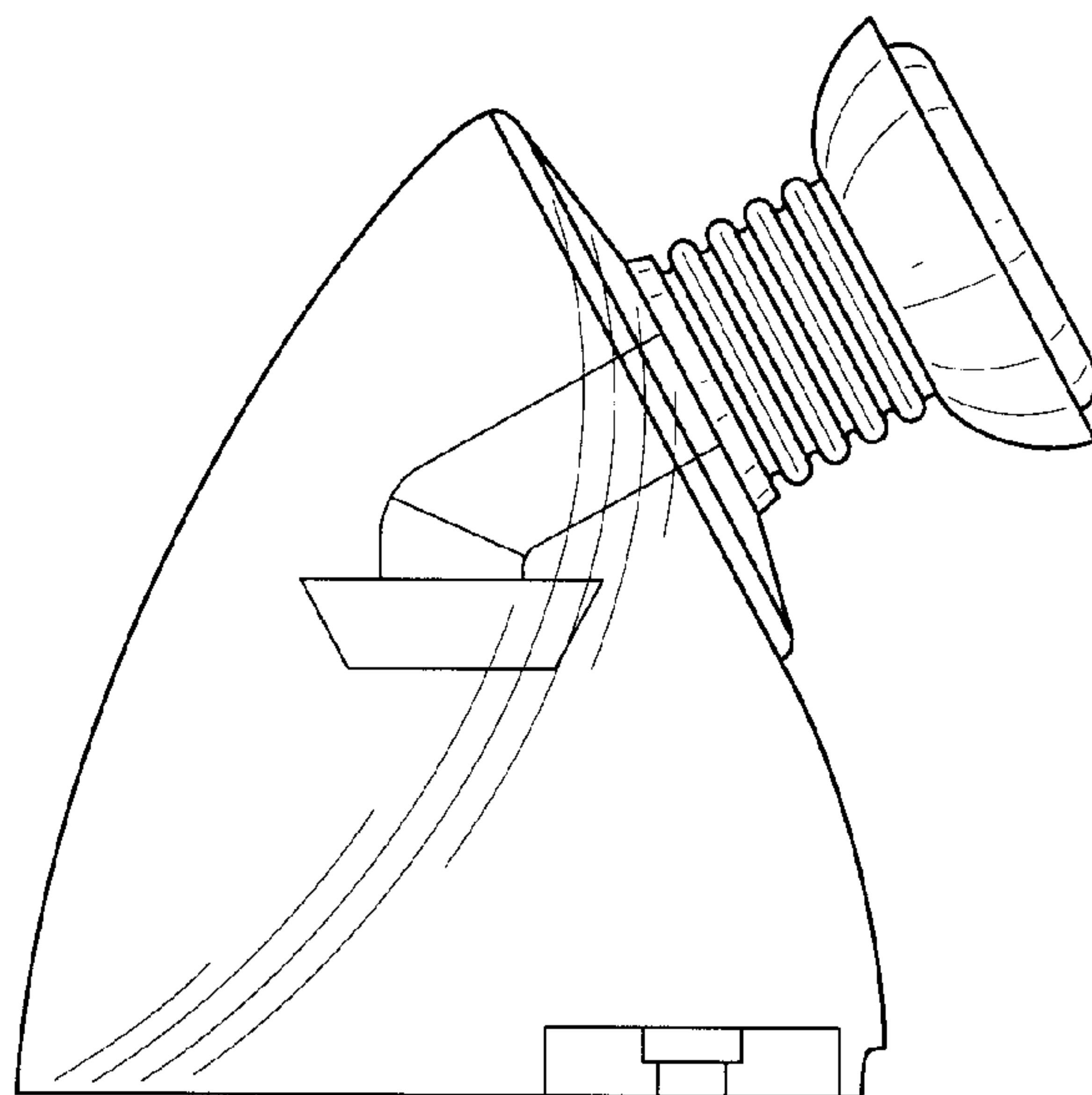


FIG. 4

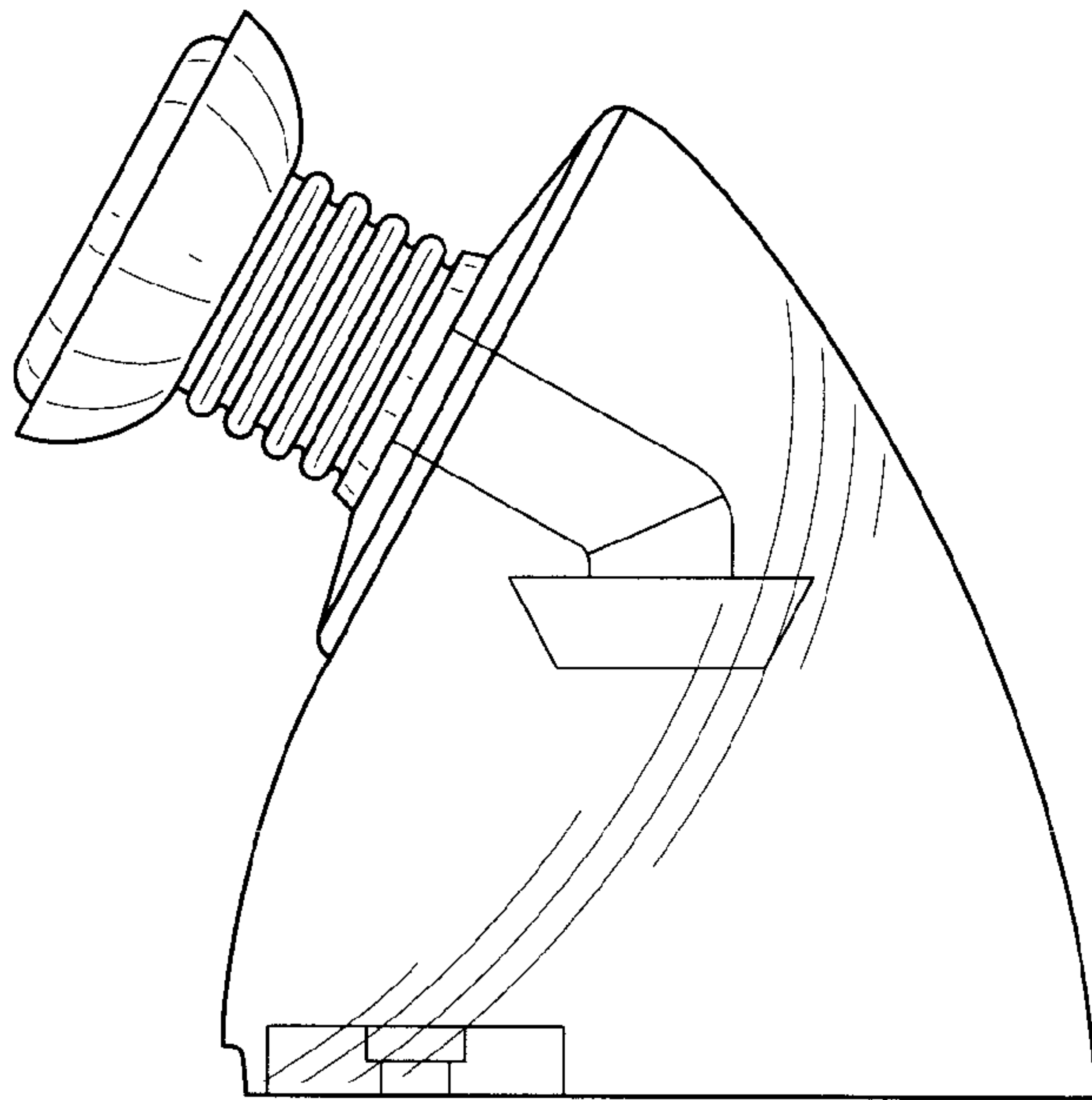


FIG. 5

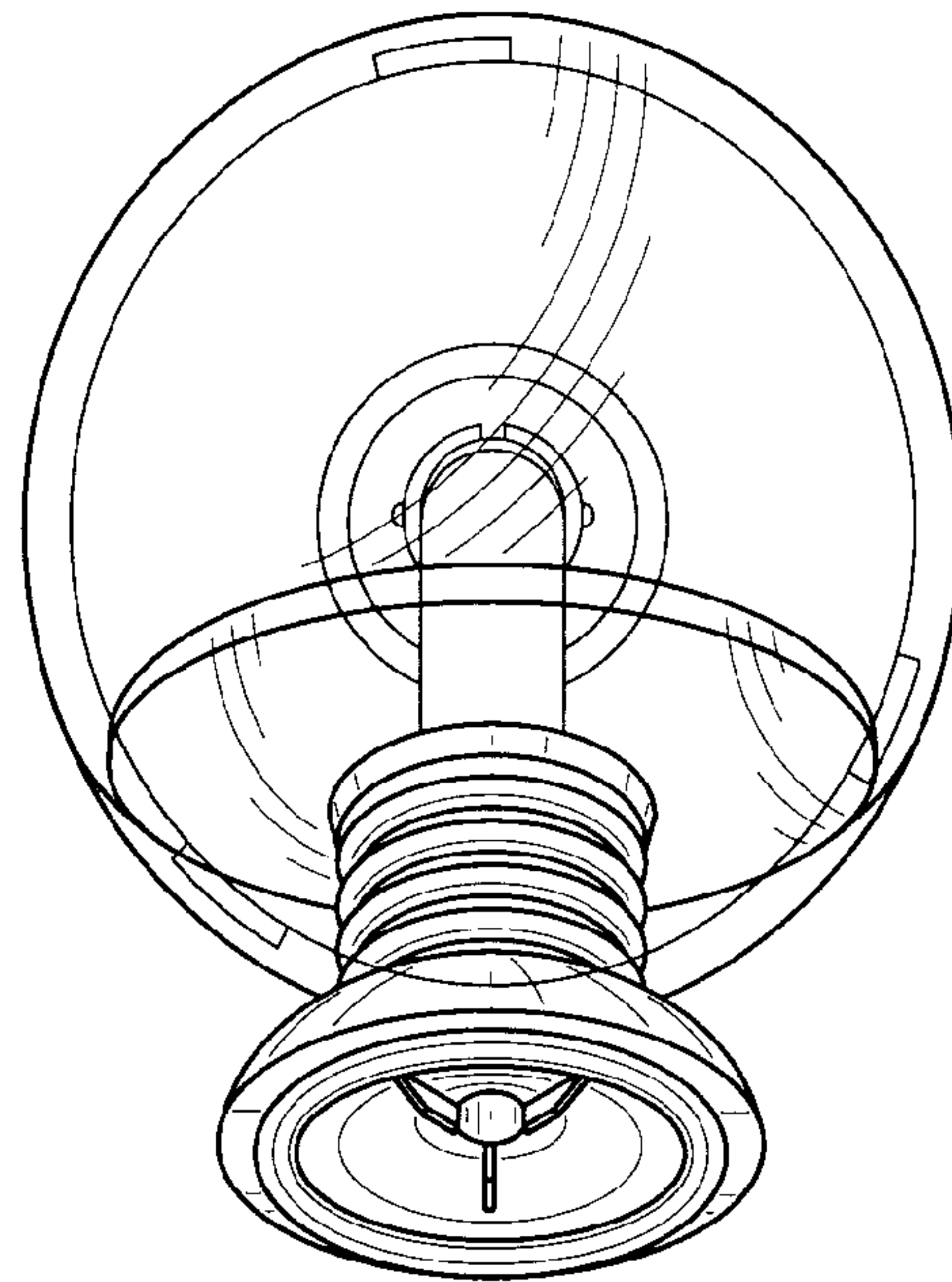


FIG. 6

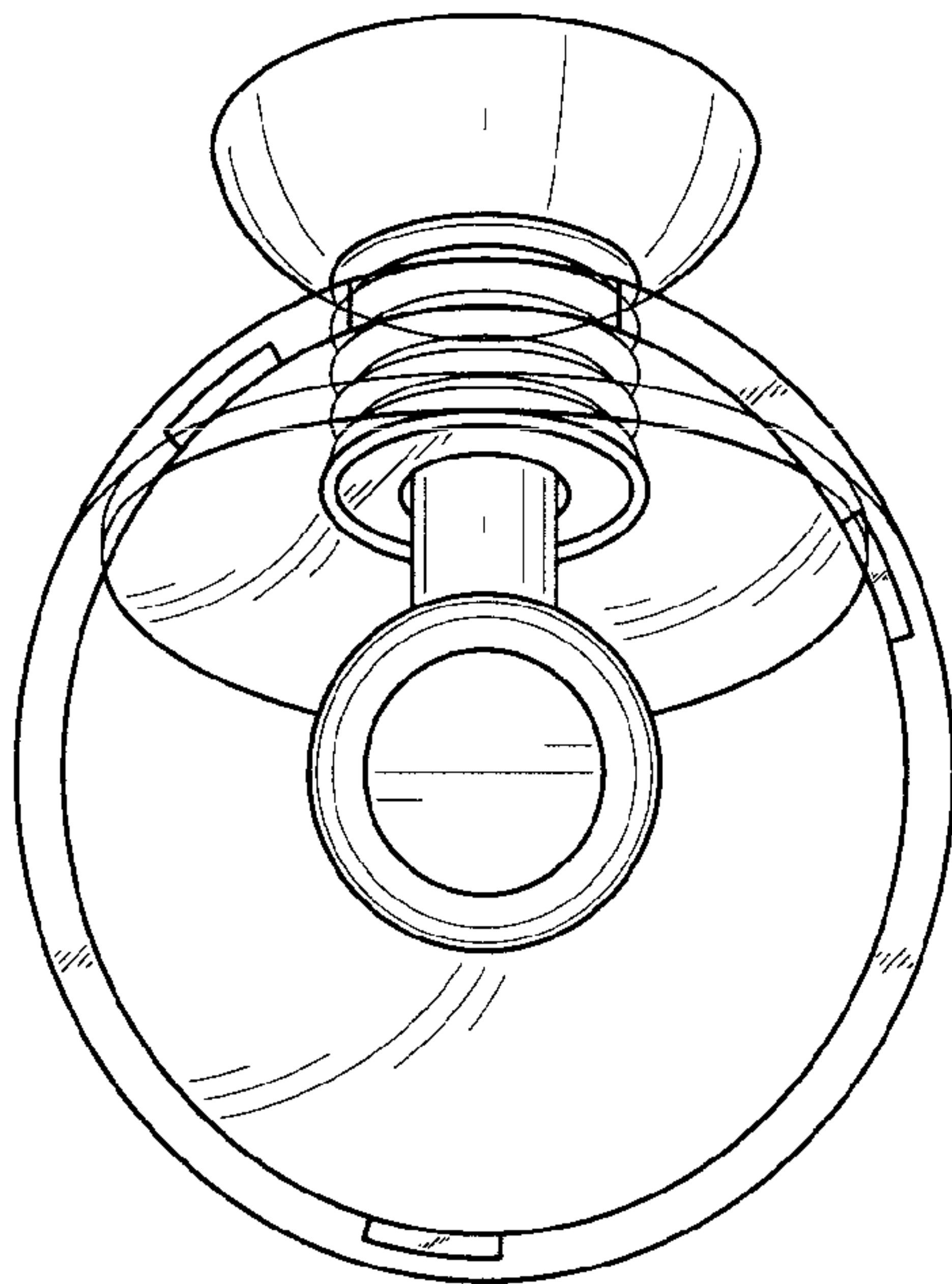


FIG. 7