



US00D558225S

(12) **United States Design Patent**
Gifford et al.

(10) **Patent No.:** **US D558,225 S**

(45) **Date of Patent:** **** Dec. 25, 2007**

(54) **HOUSING OF A HANDHELD, PORTABLE, ELECTRONIC DEVICE FOR MUSIC AND OTHER MEDIA CONTENT**

(75) Inventors: **Michael Gifford**, Mountain View, CA (US); **Peter Schmidt**, Mountain View, CA (US)

(73) Assignee: **Dell Products L.P.**, Round Rock, TX (US)

(**) Term: **14 Years**

(21) Appl. No.: **29/247,100**

(22) Filed: **May 30, 2006**

(51) **LOC (8) Cl.** **14-03**

(52) **U.S. Cl.** **D14/496; D14/156**

(58) **Field of Classification Search** D14/496, D14/401, 435, 474, 483, 217, 137, 138, 160, D14/168; 345/156, 169, 173-179, 905; 715/727-729, 715/864; 455/11.1, 773, 344-347, 93, 95; 370/342-344; 369/1, 2, 6, 12; 463/43-47; 273/148 B

See application file for complete search history.

(56) **References Cited**

U.S. PATENT DOCUMENTS

D469,109	S *	1/2003	Andre et al.	D14/496
D486,813	S *	2/2004	Chun	D14/156
6,969,603	B2 *	11/2005	Hayashizaki et al.	435/270
D520,515	S *	5/2006	Sitoh	D14/496
D521,023	S *	5/2006	Kim et al.	D14/496
7,046,230	B2 *	5/2006	Zadesky et al.	345/156
D525,987	S *	8/2006	Kim	D14/496
2006/0107822	A1	5/2006	Bowen	84/612

OTHER PUBLICATIONS

Website page, "The Sky Caddie—Powered by SkyGolf's Advances SG2 Technology," "Put a Sky Cadie in the Palm of Your Hand!" <http://www.skygolf.com/>, printed Jun. 12, 2006 (1 page).

Website page, "SkyGolf GPS Personal Digital Caddie," "SkyGolf GPS Products," <http://web.archive.org/web/20050208012257/www.skygolfgps.com/products/default.asp>, printed Jun. 12, 2006 (2 pages), available upon information and belief at least as early as Feb. 2005.

"BlackBerry 7105t Welcome Guide," T-Mobile, Blackberry, Operators Manual, copyright 2005 (60 pages).

(Continued)

Primary Examiner—Prabhakar Deshmukh

(74) *Attorney, Agent, or Firm*—Workman Nydegger

(57) **CLAIM**

The ornamental design of a housing of a handheld, portable, electronic device for music and other media content, as shown and described.

DESCRIPTION

FIG. 1 is a front, right and bottom perspective view of a housing of a handheld, portable, electronic device for music and other media content showing our new design;

FIG. 2 is a rear, right and top perspective view thereof;

FIG. 3 is a front, left and bottom perspective view thereof;

FIG. 4 is a front elevation view thereof;

FIG. 5 is a left side elevation view thereof;

FIG. 6 is a top plan view thereof;

FIG. 7 is a bottom plan view thereof;

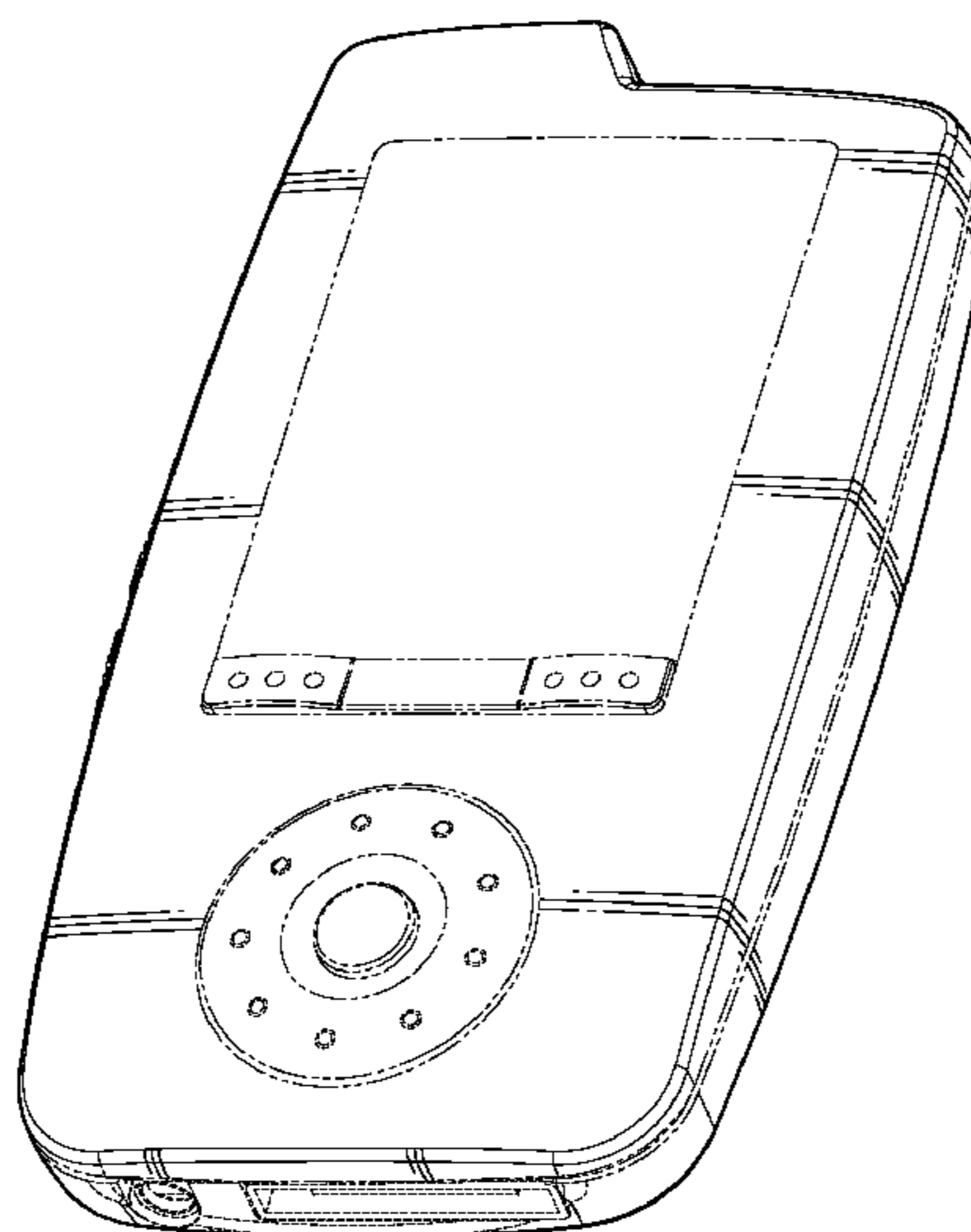
FIG. 8 is a rear elevation view thereof; and,

FIG. 9 is a right side elevation view thereof.

The broken lines, which define the bounds of the claimed design, form no part thereof.

The broken lines environment are for illustrative purpose only and form no part of the claimed design.

1 Claim, 4 Drawing Sheets



OTHER PUBLICATIONS

Website page, "BlackBerry," "Discover the Latest BlackBerry Devices," <http://web.archive.org/web/20050331093226/www.blackberry.com>, printed Jun. 7, 2006, available on information and belief at least as early as Mar. 31, 2005 (2 pages).

Website page, "BlackBerry," "BlackBerry 7105t," <http://www.blackberry.com/products/blackberry7100/blackberry7105t.shtml>, printed Jun. 6, 2006 (3 pages).

Color print from website page, "BlackBerry," "BlackBerry 7105t," <http://www.blackberry.com/products/blackberry7100/blackberry7105t.shtml>, copyright 2006 (3 pages).

Website page, "BlackBerry," "Compare Devices," <http://www.blackberry.com/compare/index.do?jsessionId=0630a2b9e9ee37291335TR>, printed Jun. 6, 2006 (3 pages).

Color print from website page, "BlackBerry," "Compare Devices," <http://www.blackberry.com/compare/index.do?jsessionId=0630a2b9e9ee37291335TR>, copyright 2006 (3 pages).

Color print from website page, "BlackBerry," "Compare Devices," <http://www.blackberry.com/compare/index.do?jsessionId=0630a2b9e9ee37291335TR>, copyright 2006 (3 pages).

Color print from website page, "BlackBerry," "Compare Devices," <http://www.blackberry.com/compare/index.do?jsessionId=0630a2b9e9ee37291335TR>, copyright 2006 (3 pages).

Website page, "BlackBerry," "Introducing the Latest BlackBerry Devices," http://www.blackberry.com/products/new_handhelds/index.shtml, printed Jun. 6, 2006 (2 pages).

Color print from website page, "BlackBerry," "Introducing the Latest BlackBerry Devices," http://www.blackberry.com/products/new_handhelds/index.shtml, copyright 2006 (2 pages).

Color print from website page, "BlackBerry," "SureType," www.blackberry.com, available on information and belief, at least as early as Mar. 17, 2005, copyright 2005 (2 pages).

Color print from website page, "BlackBerry," "Compare Devices," <http://www.blackberry.com/>, available on information and belief, at least as early as Mar. 17, 2005, copyright 2004 (3 pages).

Website page, "RIM BlackBerry 7100g Reviews. Smartphones Reviews by CNET," "RIM BlackBerry 7100g," http://reviews.cnet.com/RIM_BlackBerry_7100g/4505-6452_7-31289075.html, printed Jun. 7, 2006 (5 pages).

Website page, "Digital Radio—Gizmodo," "One-Seg Digital Radio/FRM Receiver," <http://www.gizmodo.com/gadgets/digital-radio/>, printed Sep. 6, 2006 (4 pages).

Website page, "Digital Radio—Gizmodo," "One-Seg Digital Radio/FRM Receiver," <http://www.gizmodo.com/gadgets/digital-radio/>, printed Sep. 6, 2006 (3 pages).

Law Practice, "Personal Technology, Me & My Blackberry," Jul./Aug. 2006, pp. 36-47, cover page, and contents page, vol. 32 No. 5 (14 total pages).

3 pictures of Blackberry device showing various angles, available on information and belief, at least as early as Mar. of 2006.

"Motorola RAZR V3c," Asurion Quick Reference Guide, 2005 copyright (4 pages).

Newspaper article "Quran Text Messaging," available on information and belief as early as Aug. 10, 2004, Deseret News, (1 page).

U.S. Appl. No. 29/247,101, filed May 30, 2006 (6 pages).

U.S. Appl. No. 29/247,099, filed May 30, 2006 (5 pages).

* cited by examiner

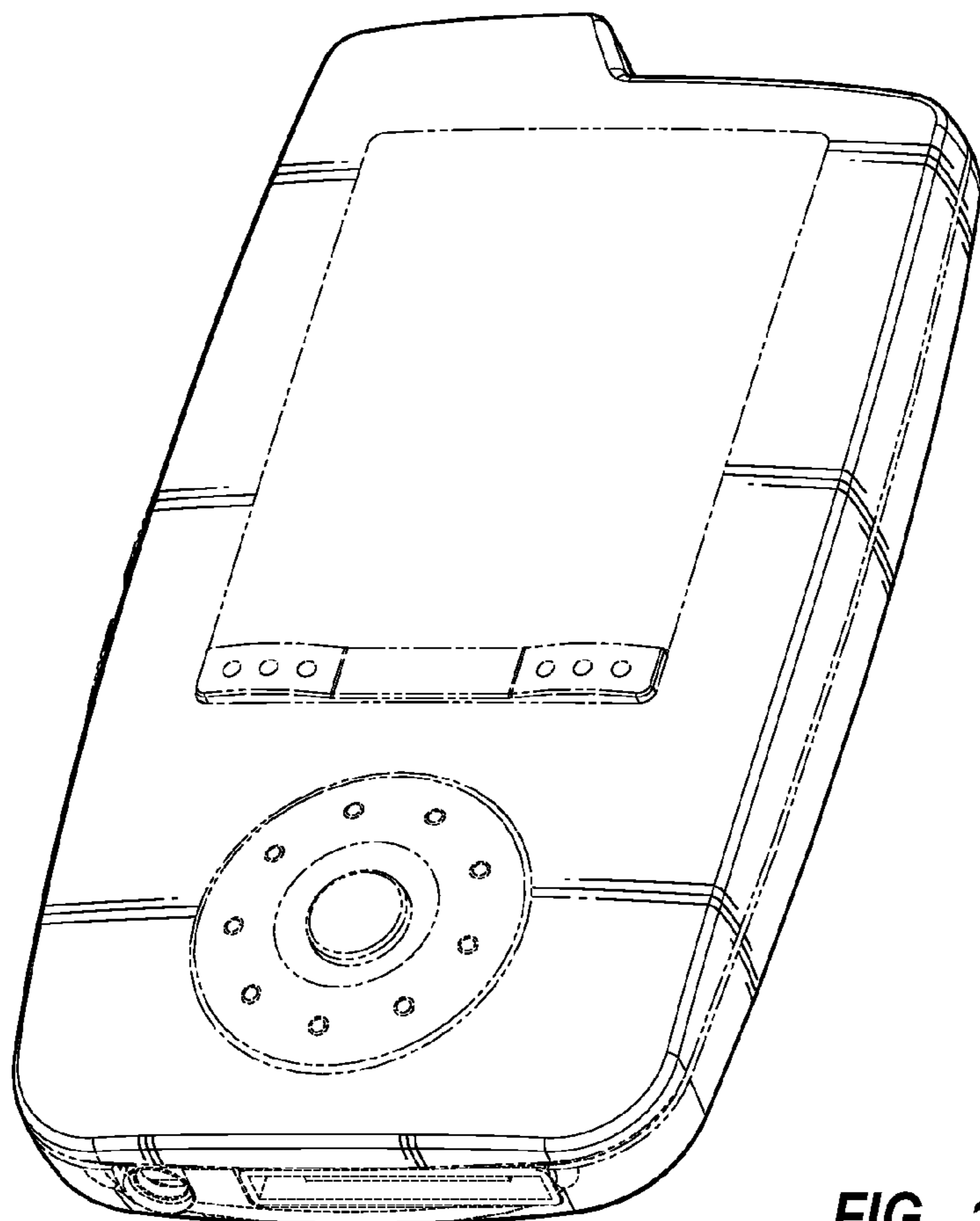


FIG. 1

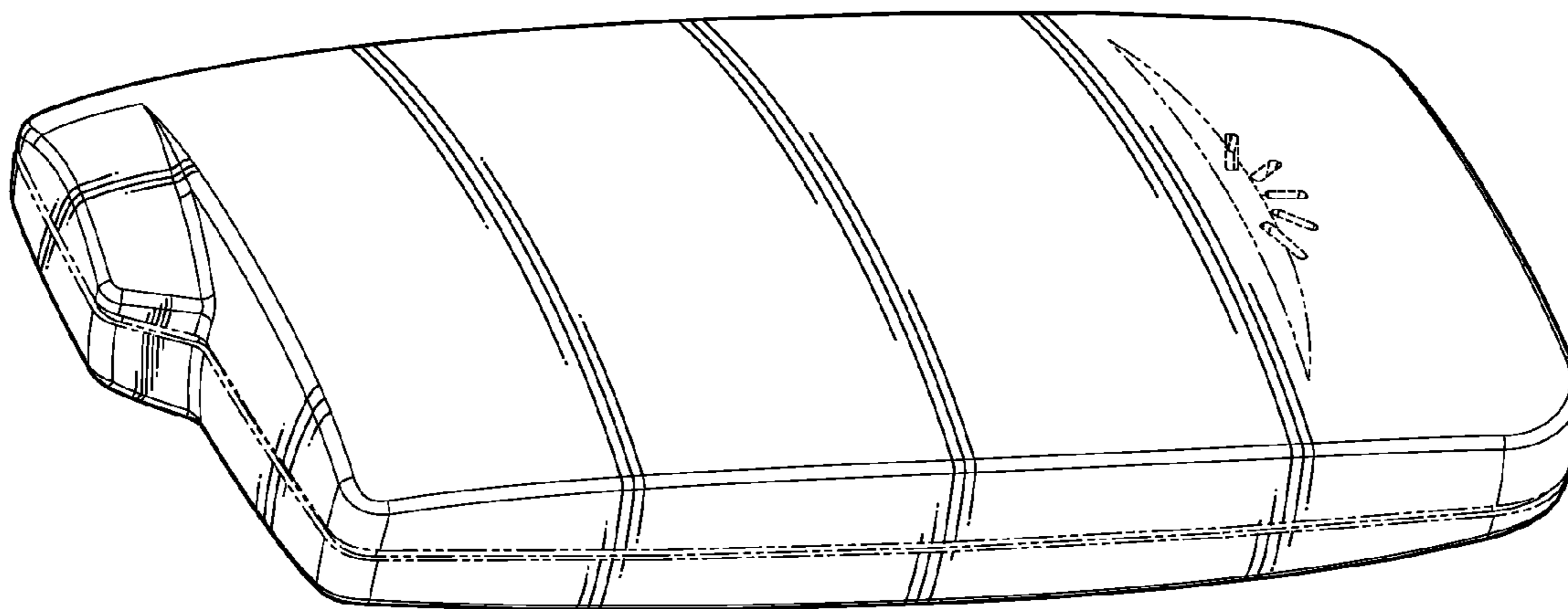


FIG. 2

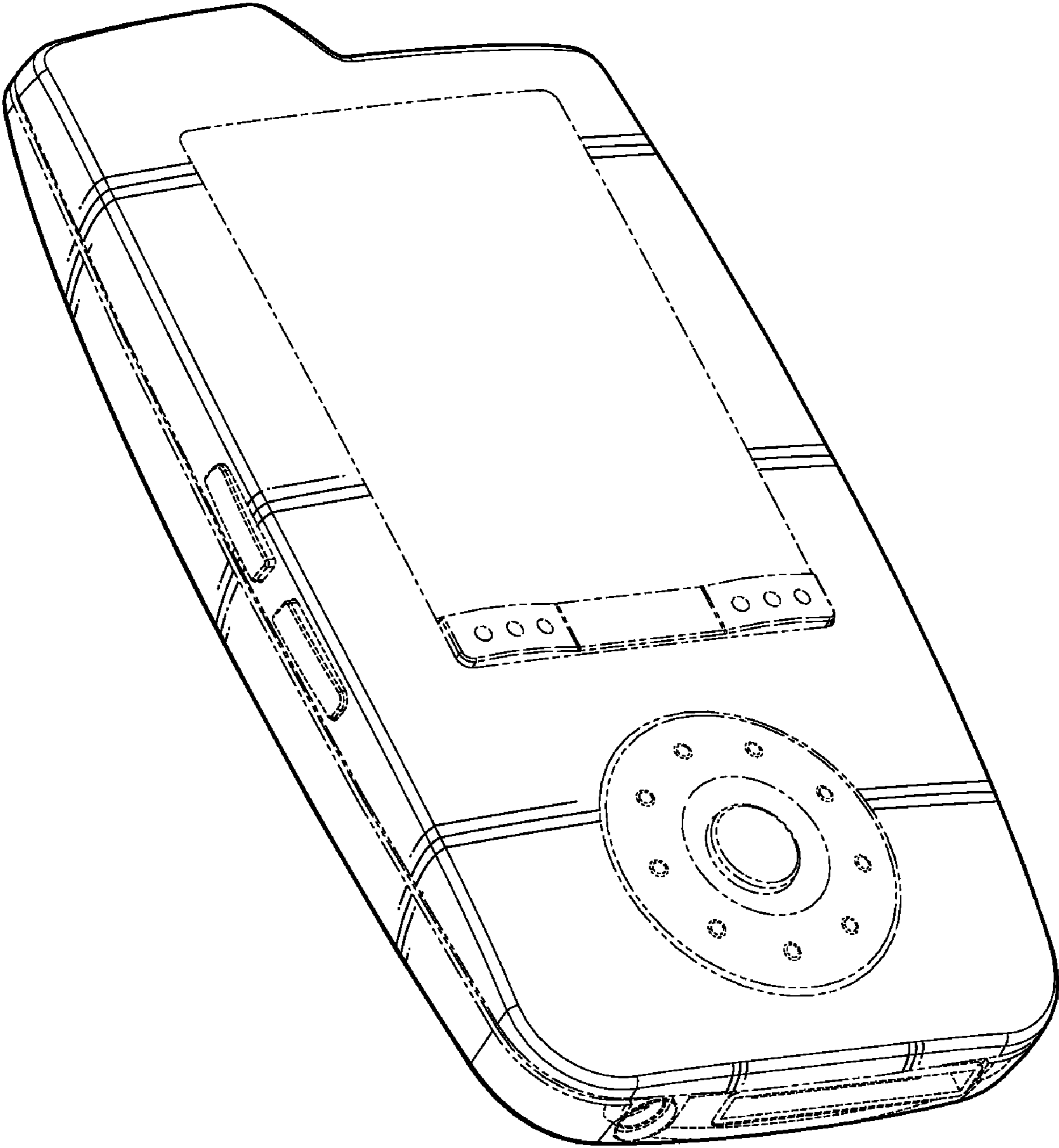


FIG. 3

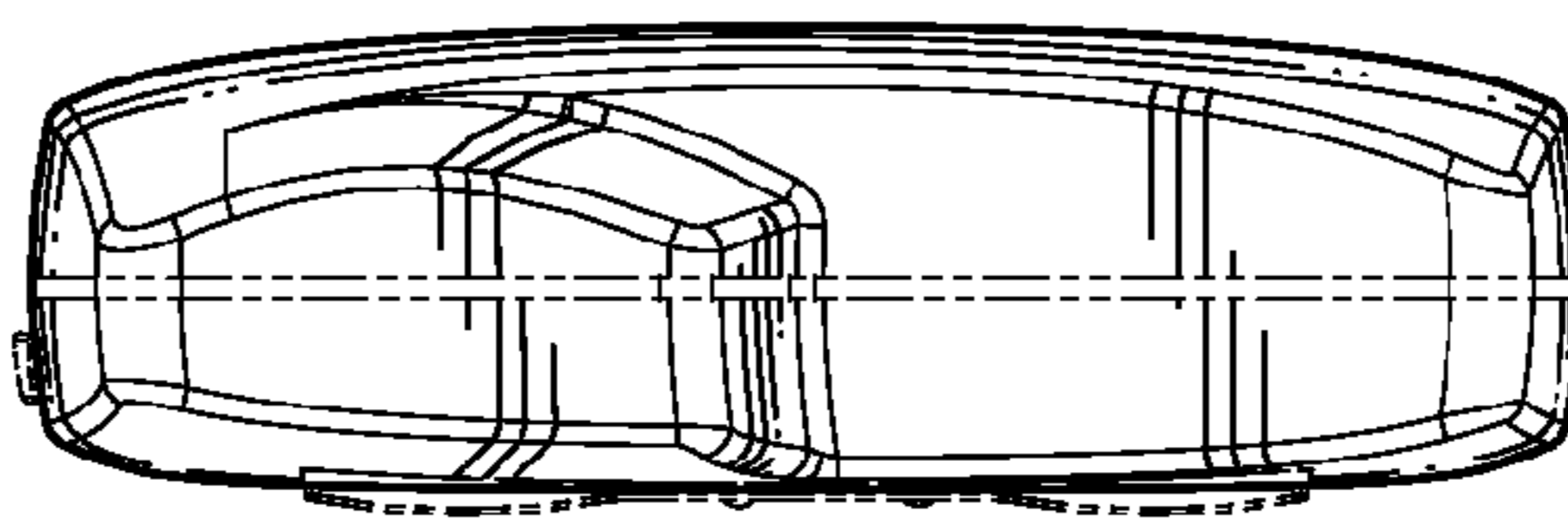


FIG. 6

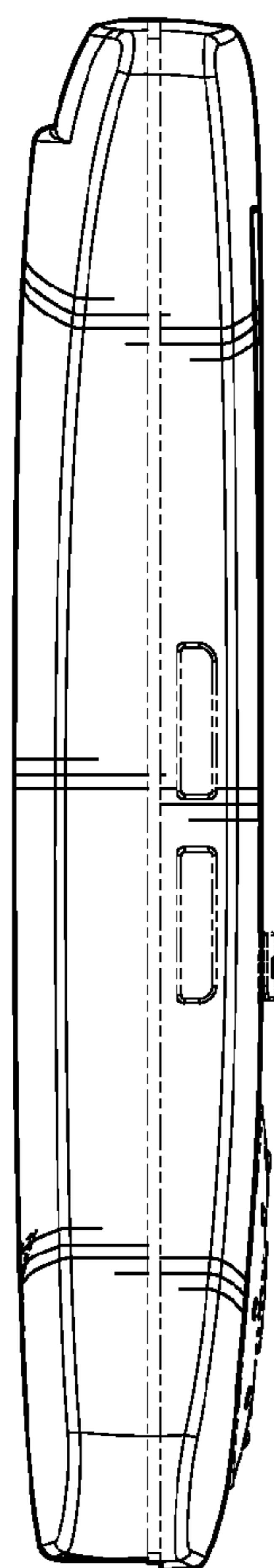


FIG. 5

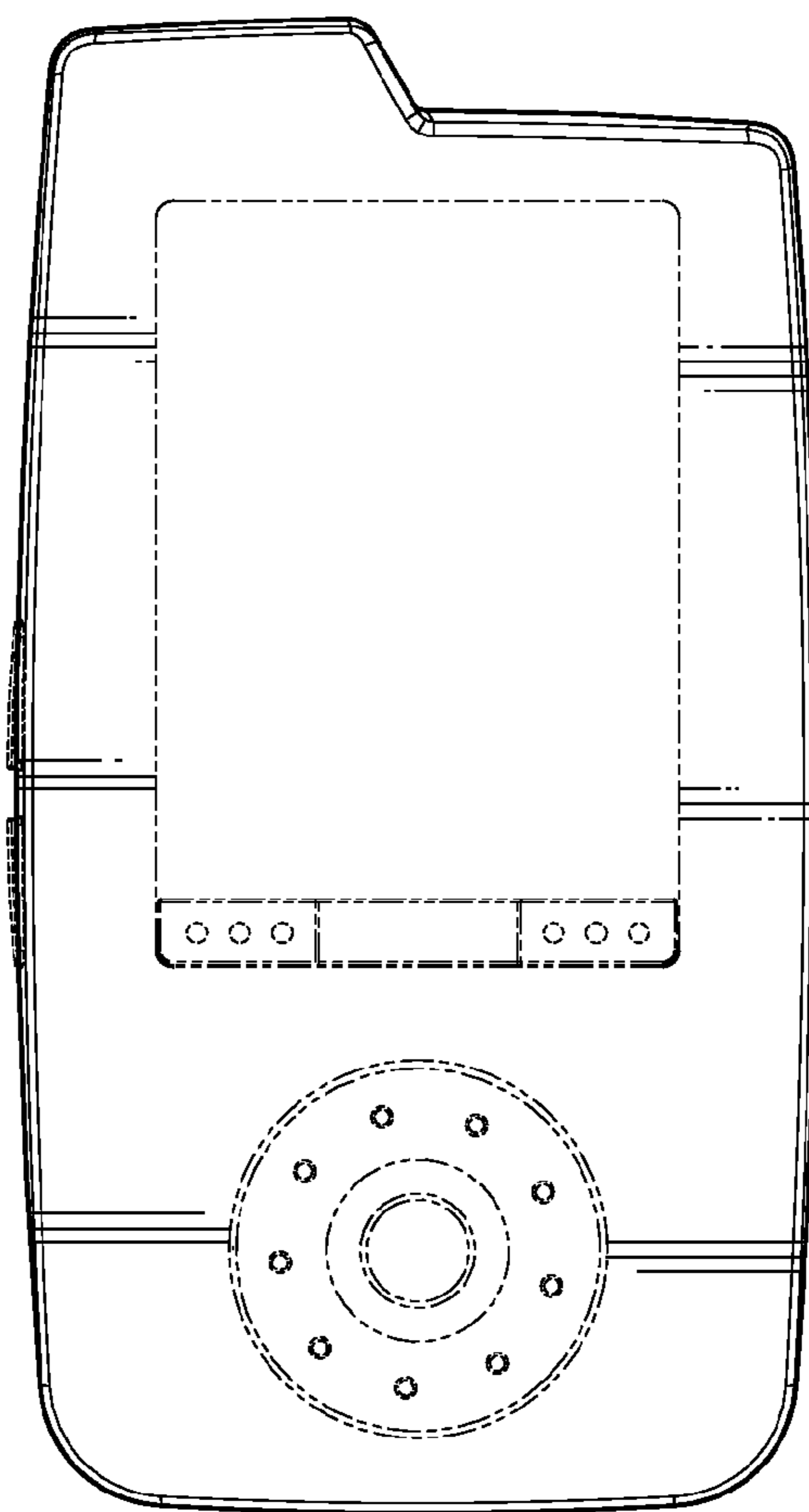


FIG. 4

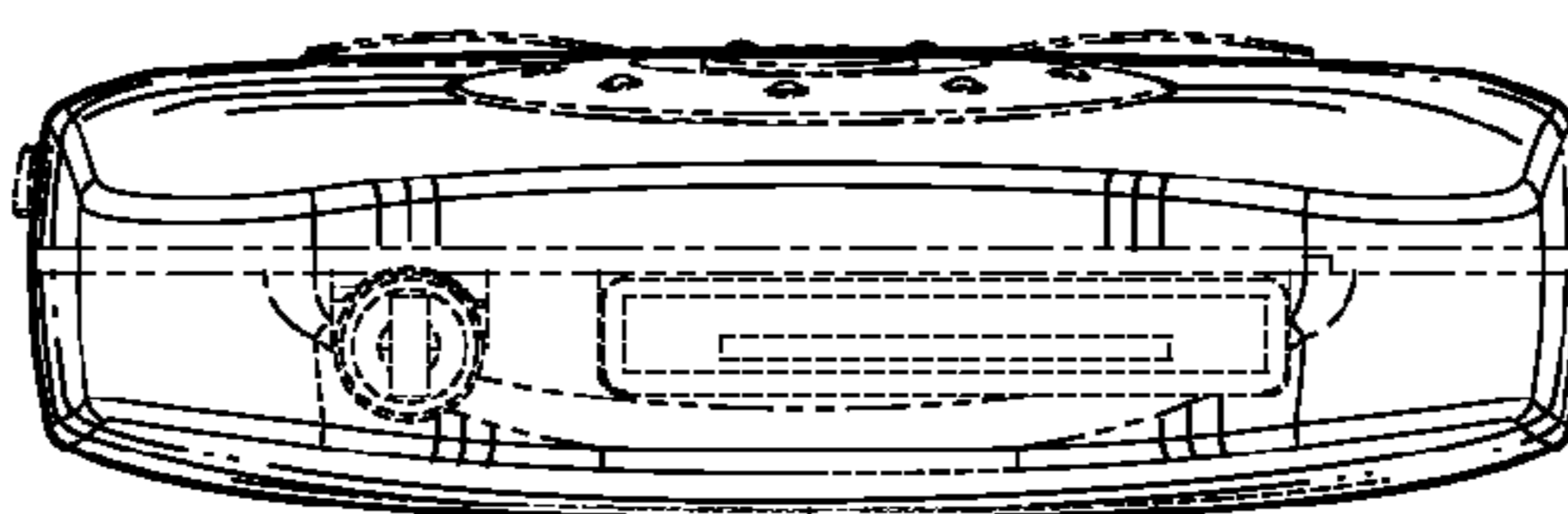


FIG. 7

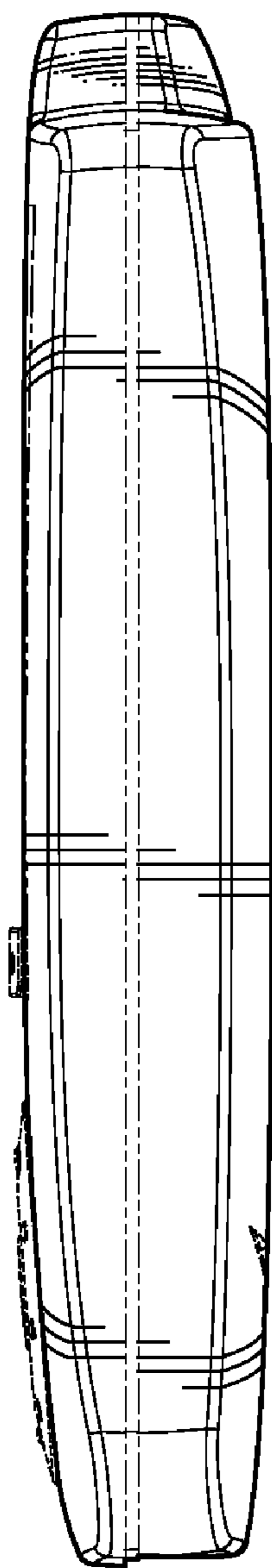


FIG. 9

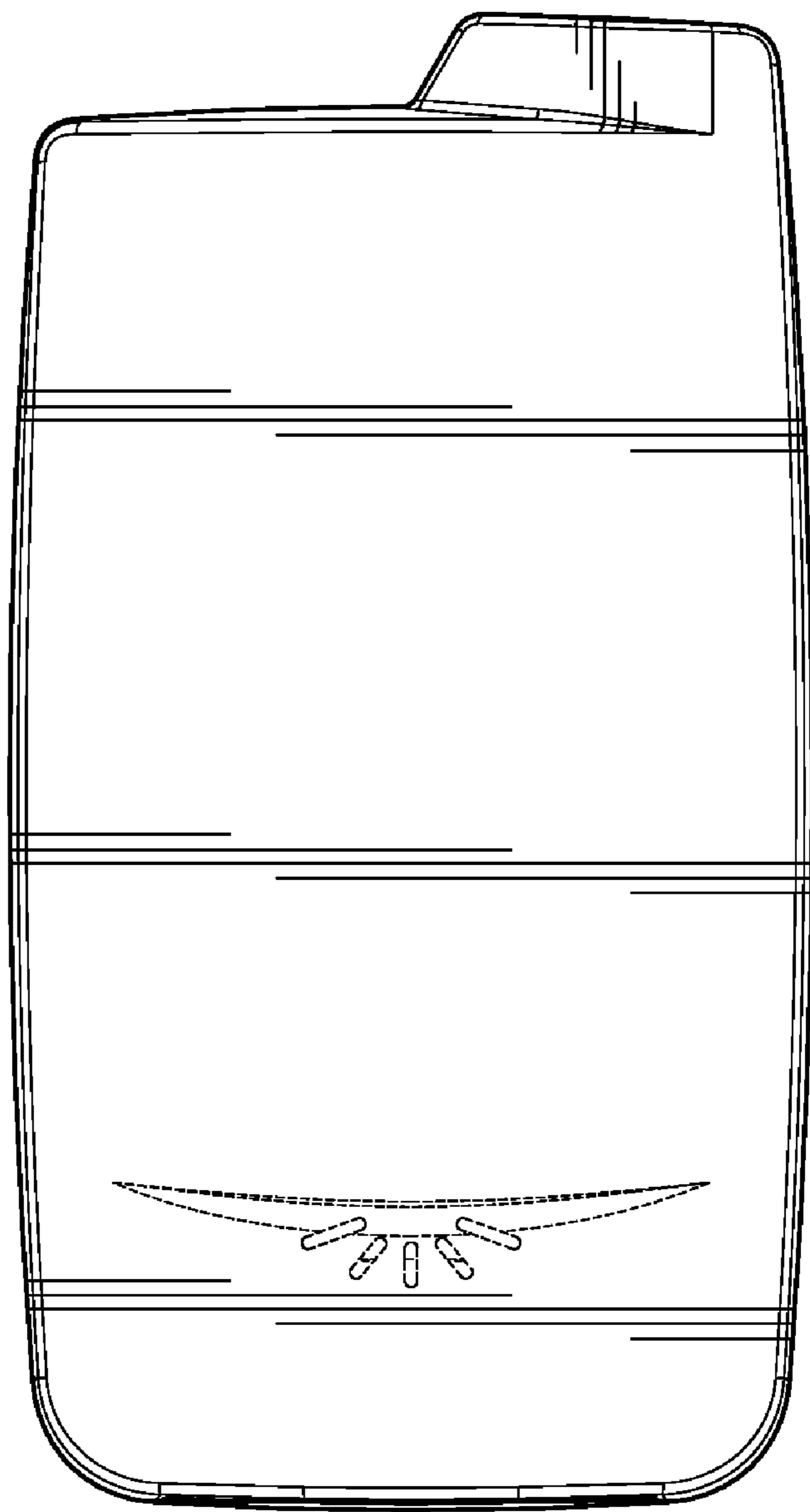


FIG. 8