



US00D558220S

(12) **United States Design Patent**
Maitlen et al.

(10) **Patent No.:** **US D558,220 S**

(45) **Date of Patent:** **** Dec. 25, 2007**

(54) **ANIMATED TUNER FOR A DISPLAY SCREEN**

(75) Inventors: **Craig R. Maitlen**, Redmond, WA (US);
Rowland Brown, Seattle, WA (US);
Thamer A. Abanami, Seattle, WA (US)

(73) Assignee: **Microsoft Corporation**, Redmond, WA (US)

(**) Term: **14 Years**

(21) Appl. No.: **29/248,606**

(22) Filed: **Aug. 23, 2006**

(51) **LOC (8) Cl.** **14-04**

(52) **U.S. Cl.** **D14/487; D14/488**

(58) **Field of Classification Search** D14/485–495;
715/700–867, 973–977

See application file for complete search history.

(56) **References Cited**

U.S. PATENT DOCUMENTS

5,832,173	A *	11/1998	Terasawa et al.	715/723
D406,123	S *	2/1999	Hodgson	D14/487
D416,241	S *	11/1999	Faris et al.	D14/487
D422,982	S *	4/2000	Hodgson	D14/487
D424,543	S *	5/2000	Hodgson	D14/487
D426,208	S *	6/2000	Hodgson	D14/487
D426,209	S *	6/2000	Hodgson	D14/487
6,177,932	B1 *	1/2001	Galdes et al.	715/733
6,262,724	B1 *	7/2001	Crow et al.	715/798
6,850,256	B2 *	2/2005	Crow et al.	715/798
2003/0227486	A1 *	12/2003	Hawkins	345/771
2004/0125128	A1 *	7/2004	Chang et al.	345/730
2006/0259870	A1 *	11/2006	Hewitt et al.	715/762

2006/0284878	A1 *	12/2006	Zimmer	715/762
2007/0038931	A1 *	2/2007	Allaire et al.	715/526
2007/0038941	A1 *	2/2007	Wysocki et al.	715/748

* cited by examiner

Primary Examiner—Ian Simmons

Assistant Examiner—Deanna Fluegeman

(74) *Attorney, Agent, or Firm*—Banner & Witcoff, Ltd.

(57) **CLAIM**

The ornamental design for an animated tuner for a display screen, as shown and described.

DESCRIPTION

FIG. 1 is a front view of the first image in the sequence for an animated tuner for a display screen showing our new design;

FIG. 2 is a front view of the second image thereof;

FIG. 3 is a front view of the third image thereof;

FIG. 4 is a front view of the fourth image thereof;

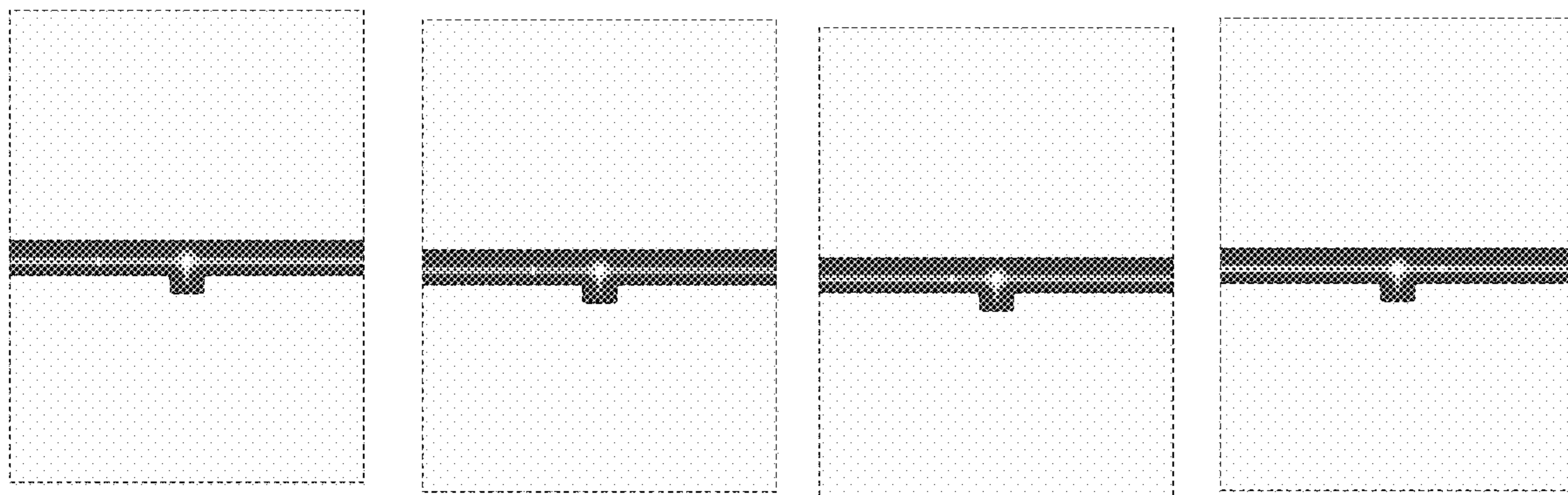
FIG. 5 is a front view of the fifth image thereof;

FIG. 6 is a front view of the sixth image thereof; and,

FIG. 7 is a front view of the seventh image thereof.

The appearance of the transitional image sequentially transitions between the images shown in FIGS. 1–7. The process or period in which one image transitions to another forms no part of the claimed design. The broken line showing of the upper and lower regions is for illustrative purposes only and forms no part of the claimed design. The broken line showing the display screen is for illustrative purposes only and forms no part of the claimed design.

1 Claim, 7 Drawing Sheets



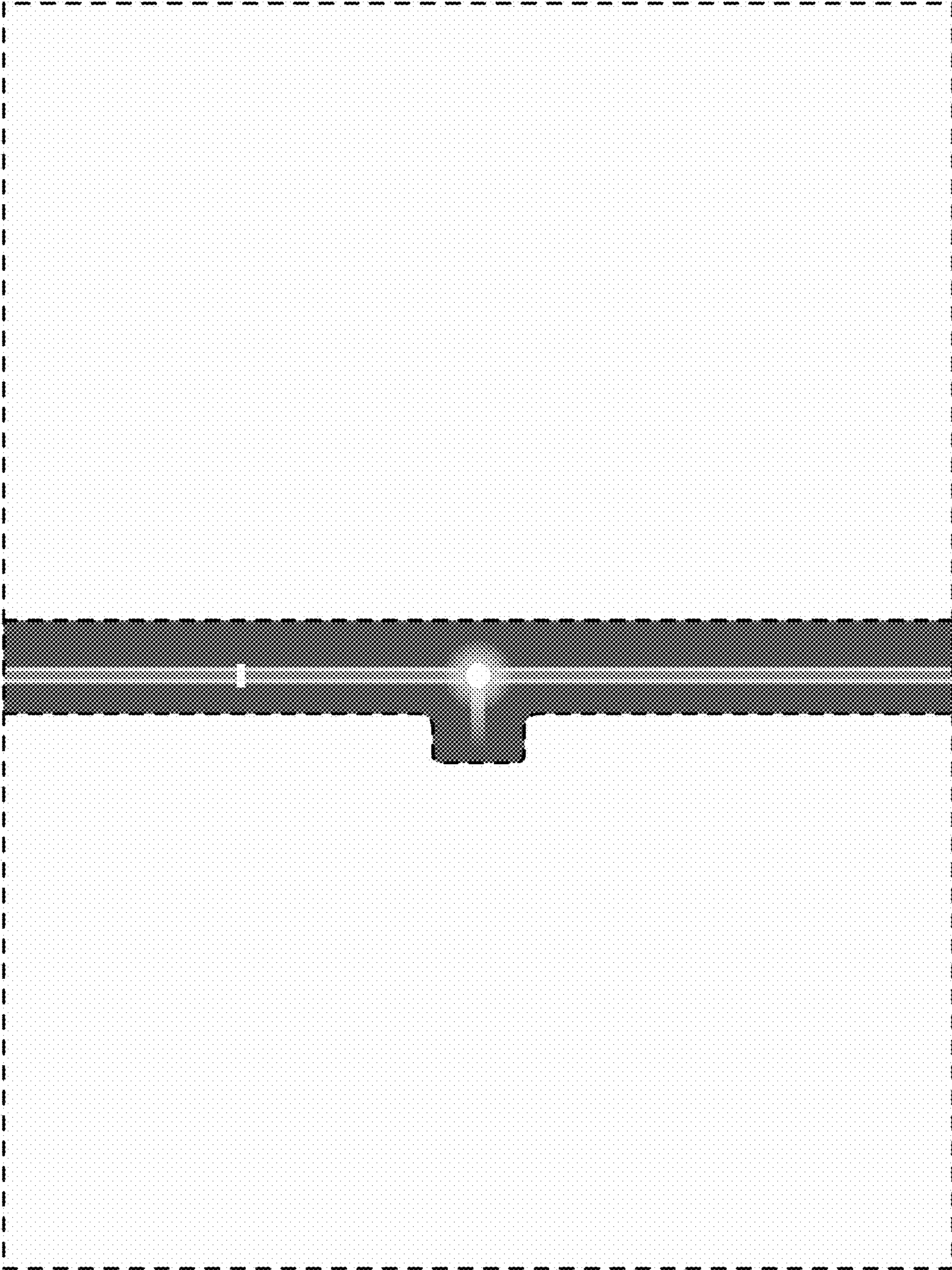


FIG. 1

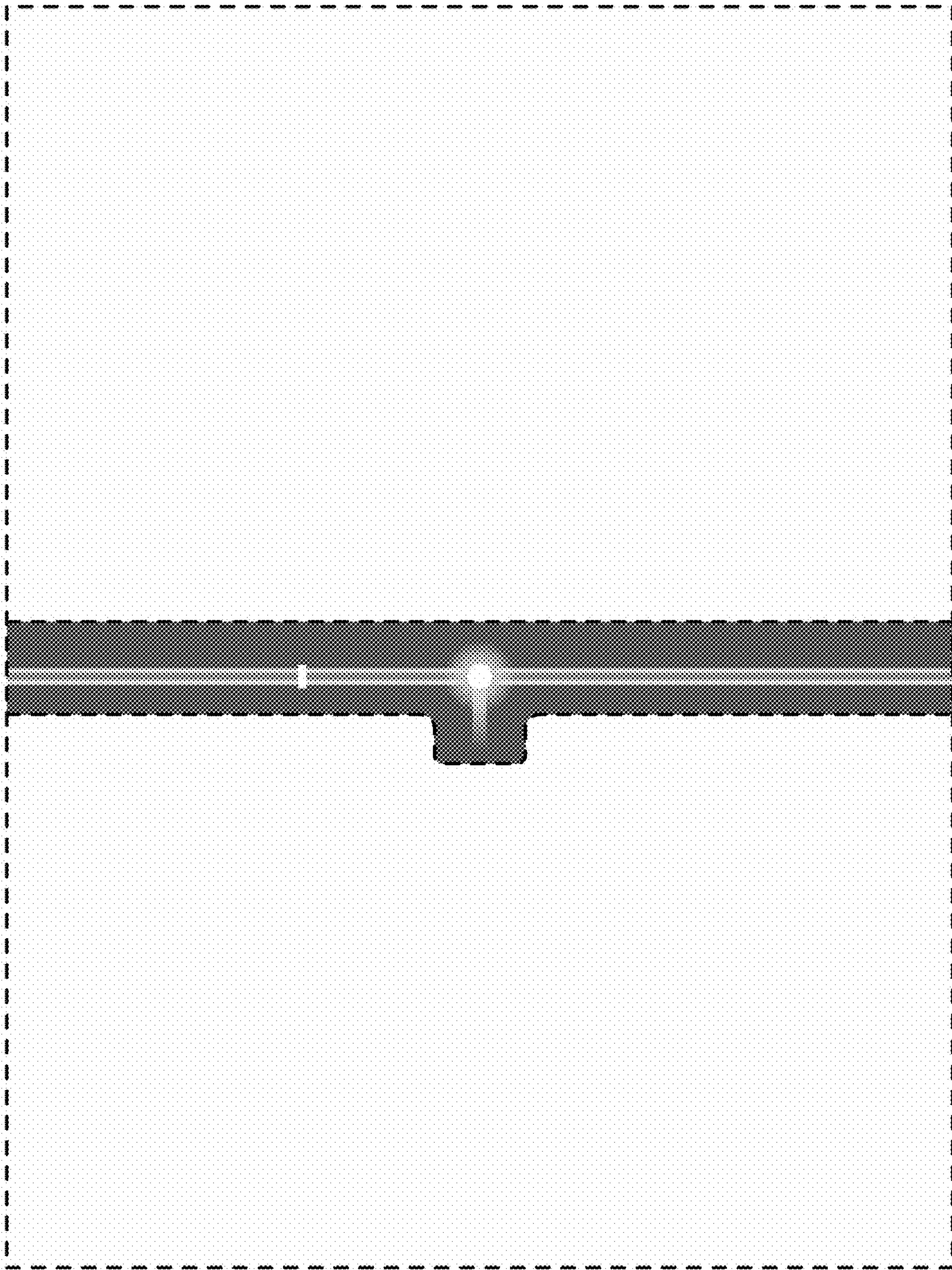


FIG. 2

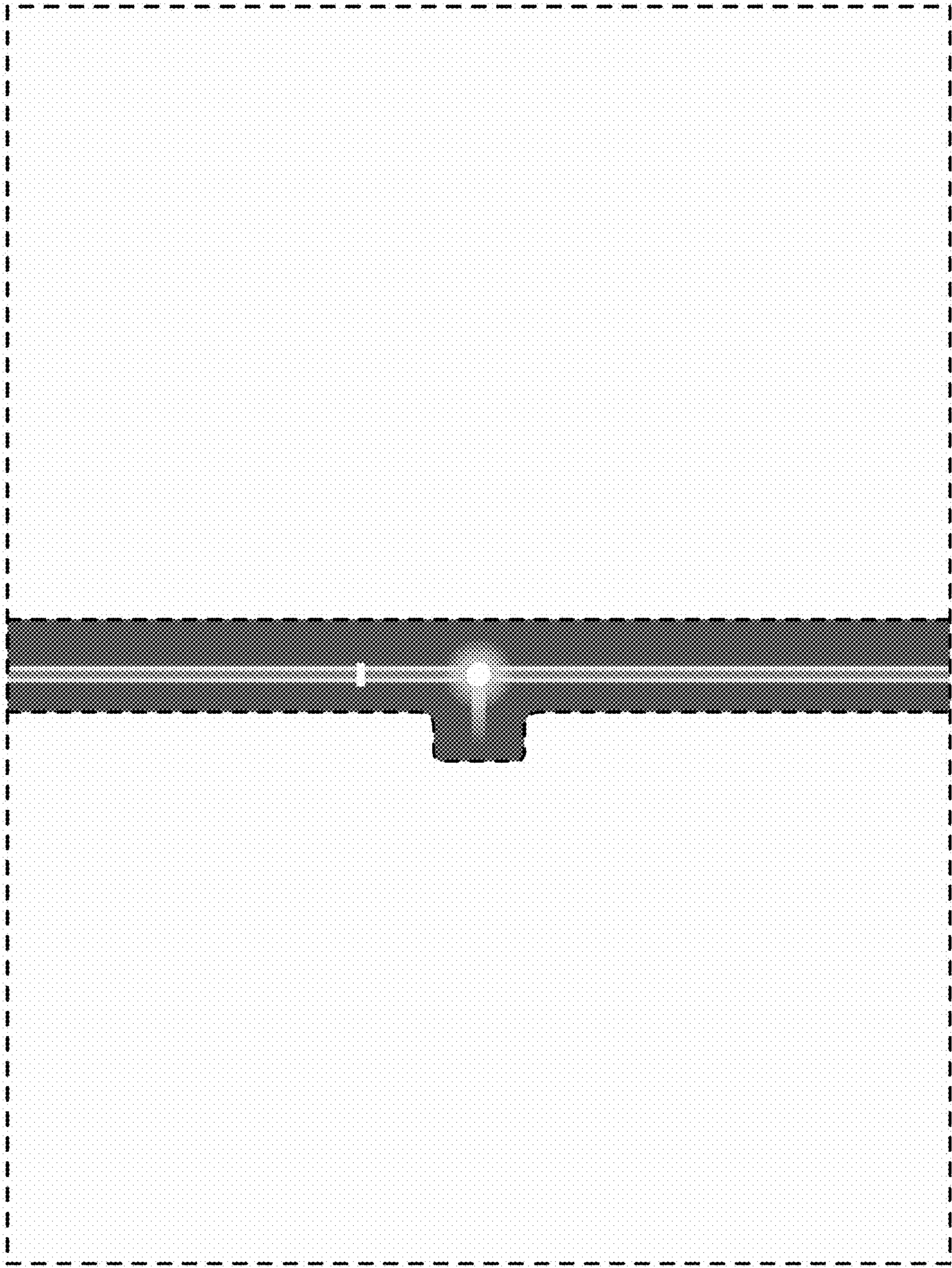


FIG. 3

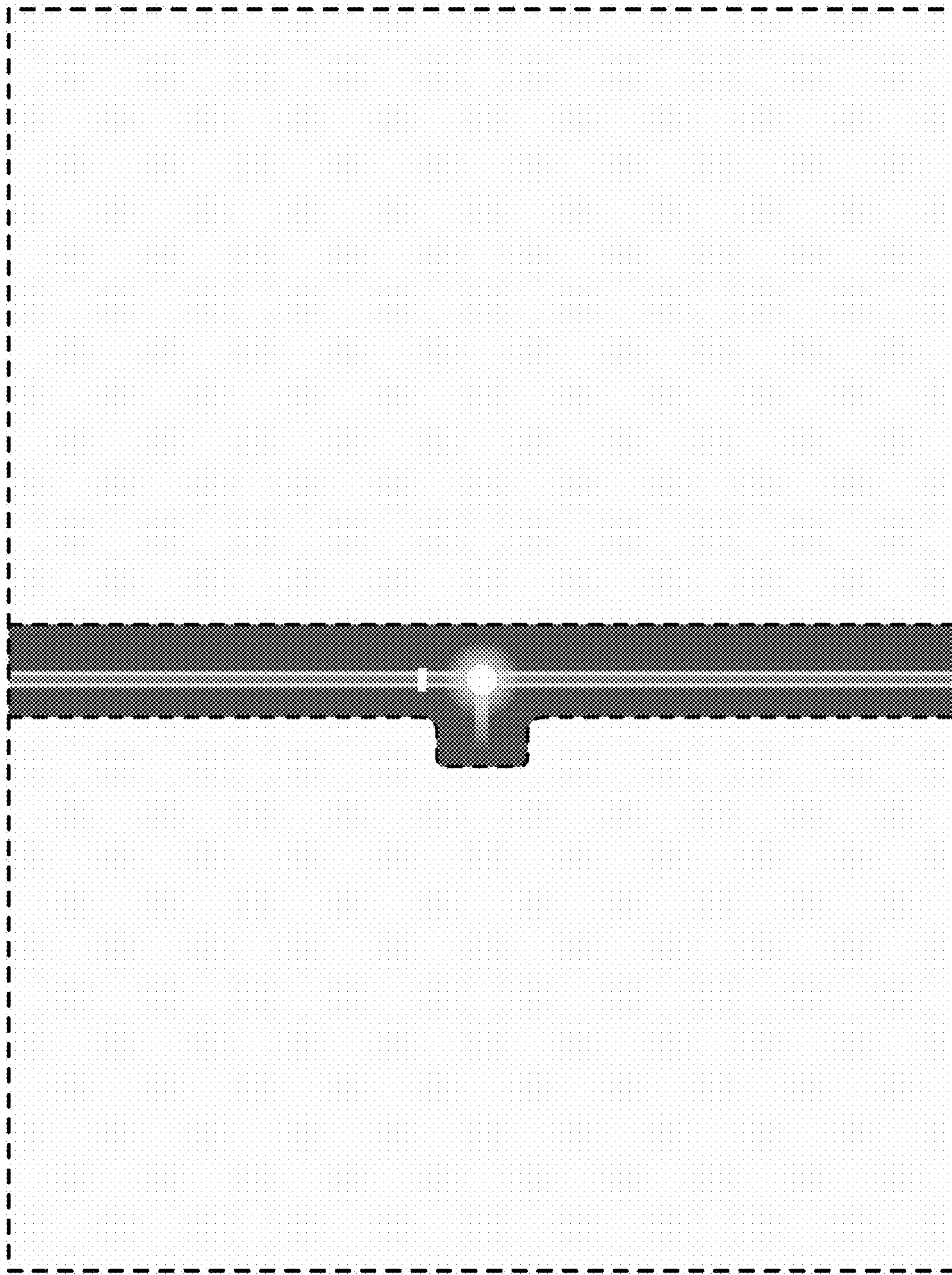


FIG. 4

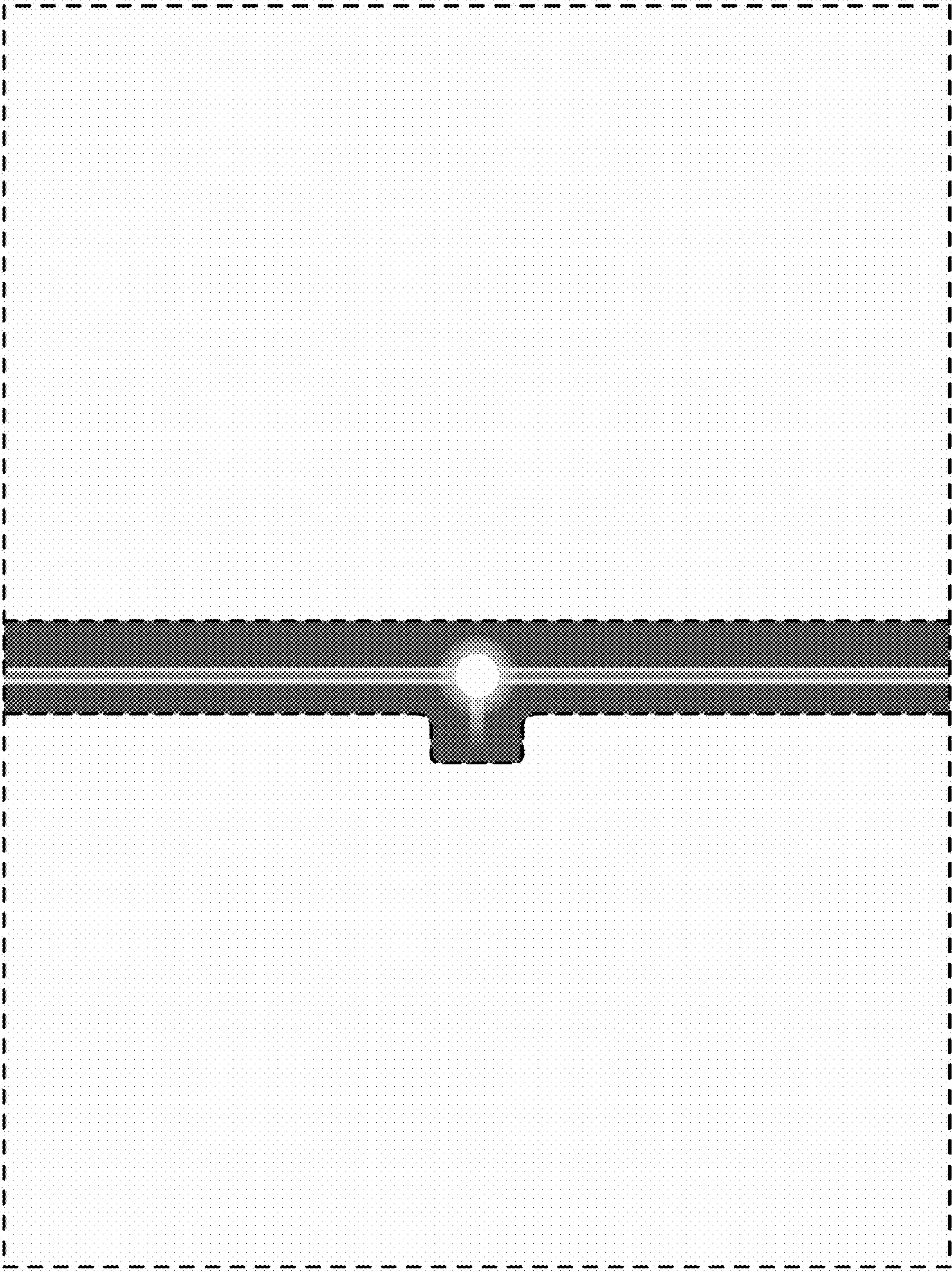


FIG. 5

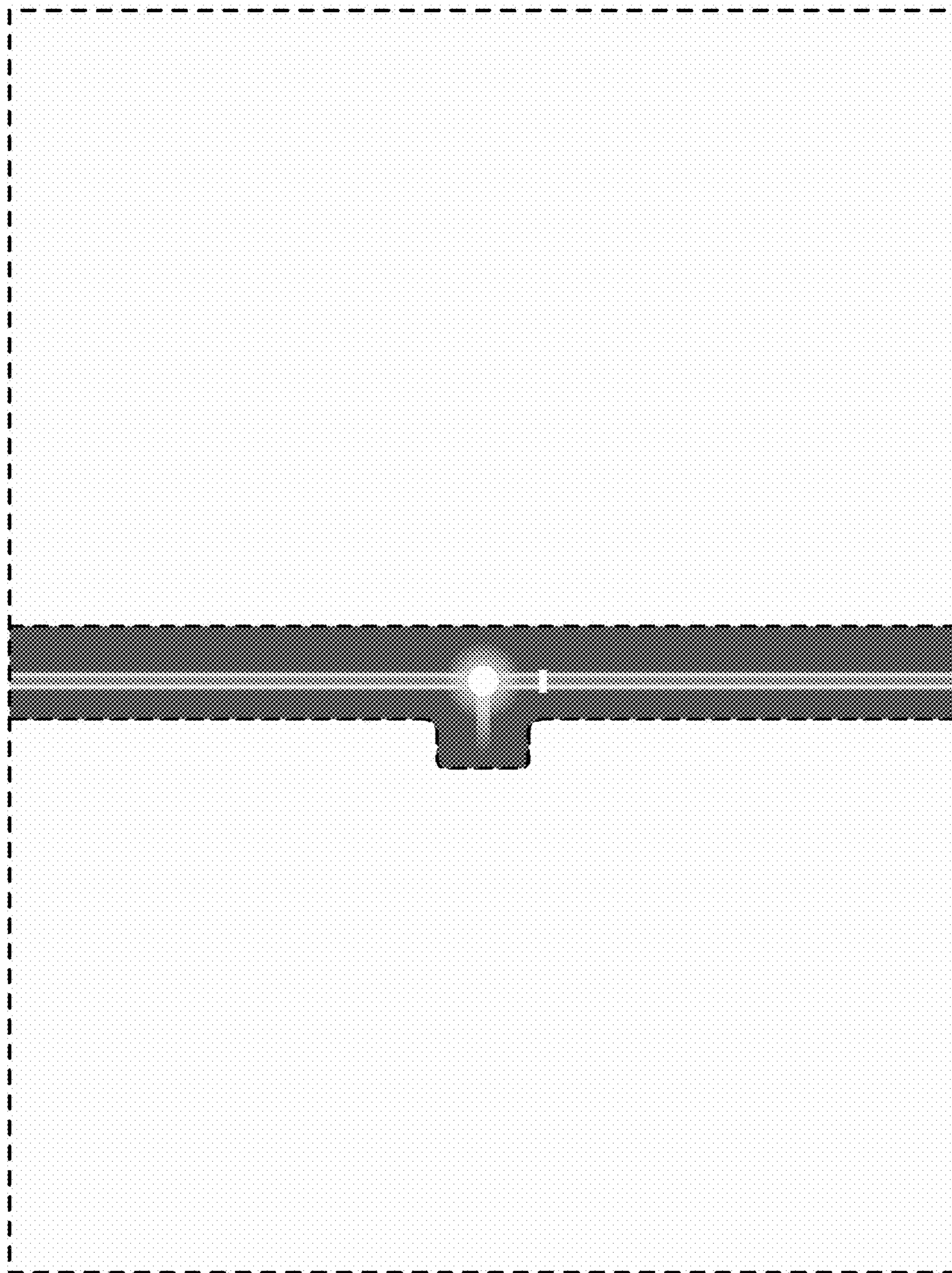


FIG. 6

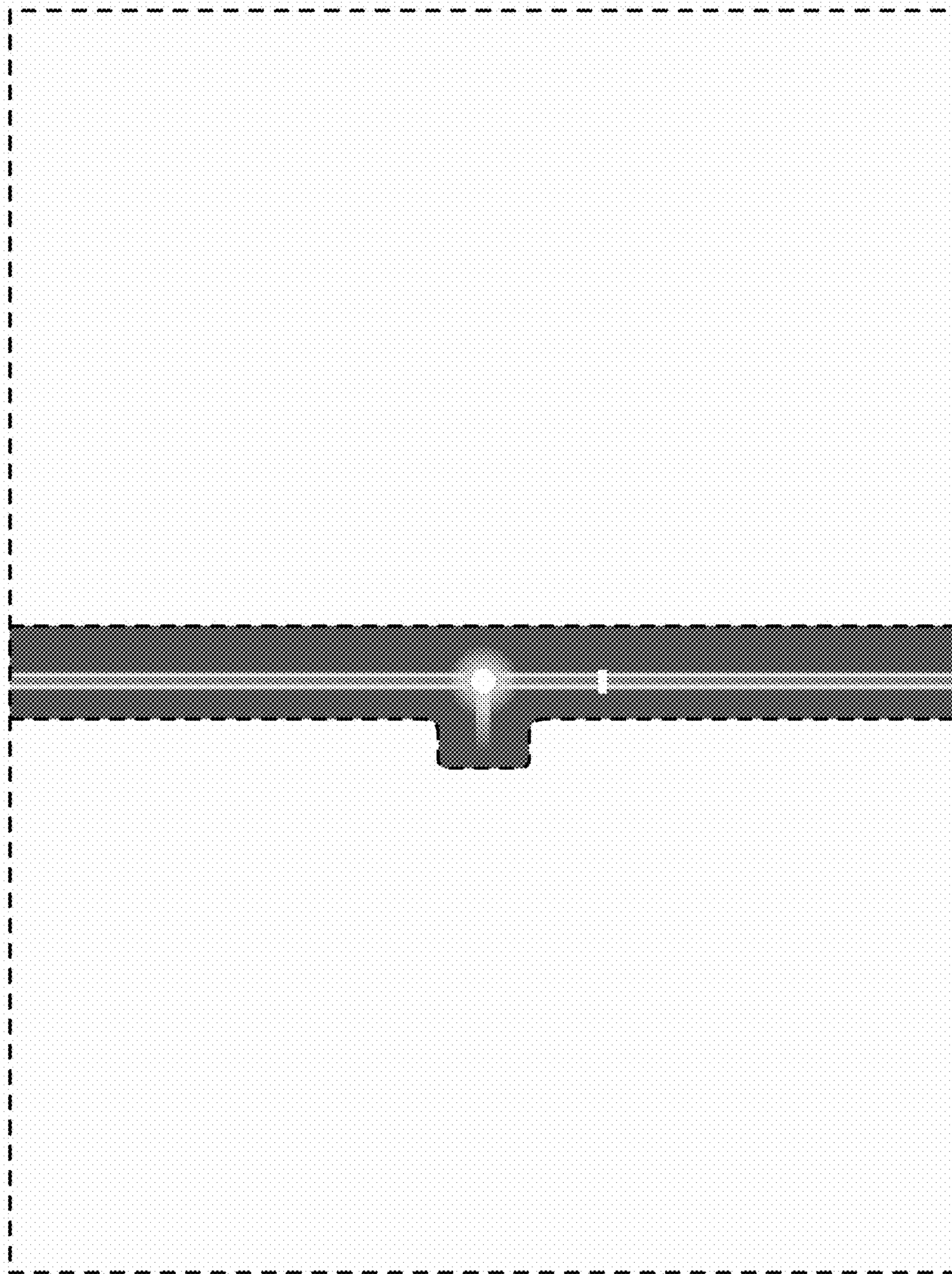


FIG. 7